



PARTS CATALOGUE

YFM70RSPX (1S3S) U.S.A.

YFM70RSPX (1S3T) CANADA

YFM70RSPX (1S3U) EUROPE

YFM70RSPX (1S3S) OCEANIA

1G1S3-100EK

()



2009/11/10

| NEWS NO. | DATE | COMMENT |
|---------------|--------------|---|
| PE0-MC-080035 | Jul.,30,2008 | FIG.25:FRONT SUSPENSION & WHEEL ILLUSTRATION CORRECTION |
| PE0-MC-090052 | Jul.,30,2009 | FIG.16:TRANSMISSION LIST CORRECTION |
| PE0-MC-090060 | Aug.,3,2009 | FIG.33:FRONT MASTER CYLINDER LIST CORRECTION |
| PE0-MC-090077 | Oct.,23,2009 | FIG.17 SHIFT CAM & FORK LIST/ILLUST. CORRECTION |

YFM70RSPX
PARTS CATALOGUE
©2007 by Yamaha Motor Co., Ltd.
1st edition, December 2007

All rights reserved.

Any reprinting or unauthorized use
without the written permission of
Yamaha Motor Co., Ltd.
is expressly prohibited.

Printed in Japan.

FOREWORD

This Parts Catalogue is related to the parts for the model(s) on the cover page. When you are ordering replacement parts, please refer to this Parts Catalogue and quote both part numbers and part names correctly.

1. Modifications or additions which have been made after the issue of the Parts Catalogue will be announced in the Parts News.
It is advisable that you make the necessary corrections to the Parts Catalogue according to the Parts News.

2. Abbreviations

The following abbreviations are used in this Parts Catalogue.

“UR” Use specified parts number.

“UN” Use as many as needed.

“AP” Alternate Parts

“LM” Locally Made (Parts need to be ordered locally)

“F#” Frame No. (Applicable machine No.)

“O/S” Over Size

3. The number of components for assembly

- Parts, which are to be supplied in an assembly, are listed with a dot (.) in front of the part name as shown below.
- The numeral appearing to the right of each component part indicates the quantity of parts for each assembly unit.

| PART NO. | DESCRIPTION | Q'TY | REMARKS |
|--------------|--------------------------|------|---------|
| 2F5-83310-60 | FRONT FLASHER LIGHT ASSY | 2 | |
| 115-83311-60 | .BULB (6V-18W) | 1 | |

4. Applicable colours of graphics are represented in the “REMARKS” as shown below.

| PART NO. | DESCRIPTION | Q'TY | REMARKS |
|-----------------|---------------------|------|---------|
| 2N4-24110-00-X5 | FUEL TANK COMP. | 2 | MXR |
| 3J1-24240-10 | .GRAPHIC, FUEL TANK | 1 | FOR MXR |

5. Note that the illustrations for reference in finding parts numbers are not to be used for assembling. When assembling, please use the applicable service manual.

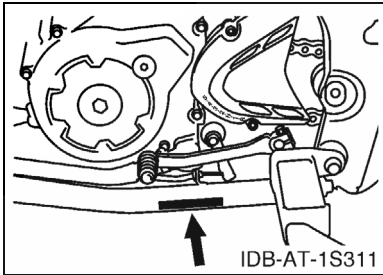
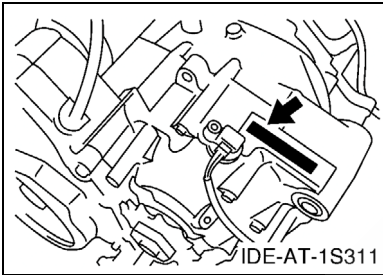
6. The asterisk (*) before a reference number indicates modified items after the first edition.

FOREWORD

7. Applicable Serial No.

Engine Serial No.

Frame Serial No.



8. Applicable Colour Code (The (*) mark shows Model colour.)

| Abbreviation | Colour Name | Colour Code |
|--------------|------------------|-------------|
| SMJ(*) | BLACK METALLIC J | 0906 |
| | | |
| | | |
| | | |
| | | |
| | | |
| | | |
| | | |
| | | |

9. Quantity Column Information

| Column No. | Name Of Q'ty Column | Destination |
|------------|---------------------|-------------|
| 1 | USA | U.S.A. |
| 2 | CAN | CANADA |
| 3 | EUR | EUROPE |
| 4 | OCE | OCEANIA |
| | | |

CONTENTS

ENGINE

| | |
|----------------------------|----|
| CYLINDER HEAD | 1 |
| CYLINDER | 2 |
| CRANKSHAFT & PISTON | 3 |
| VALVE | 4 |
| CAMSHAFT & CHAIN | 5 |
| WATER PUMP | 6 |
| RADIATOR & HOSE | 7 |
| OIL PUMP | 8 |
| INTAKE | 10 |
| THROTTLE BODY ASSY 1 | 12 |
| EXHAUST | 13 |
| CRANKCASE | 14 |
| CRANKCASE COVER 1 | 15 |
| STARTER | 16 |
| CLUTCH | 17 |
| TRANSMISSION | 19 |
| SHIFT CAM & FORK | 21 |

CHASSIS

| | |
|--------------------------------|----|
| FRAME | 23 |
| FRONT FENDER | 25 |
| REAR FENDER | 26 |
| OIL TANK | 28 |
| REAR ARM | 29 |
| REAR SUSPENSION | 32 |
| STEERING | 33 |
| FRONT SUSPENSION & WHEEL | 34 |
| FUEL TANK | 36 |
| SEAT | 38 |
| FRONT WHEEL | 39 |
| FRONT BRAKE CALIPER | 40 |
| REAR WHEEL | 42 |
| REAR BRAKE CALIPER | 43 |
| STEERING HANDLE & CABLE | 45 |
| FRONT MASTER CYLINDER | 47 |
| STAND & FOOTREST | 48 |
| REAR MASTER CYLINDER | 49 |
| GUARD | 51 |
| GENERATOR | 52 |
| STARTING MOTOR | 53 |
| HEADLIGHT | 54 |

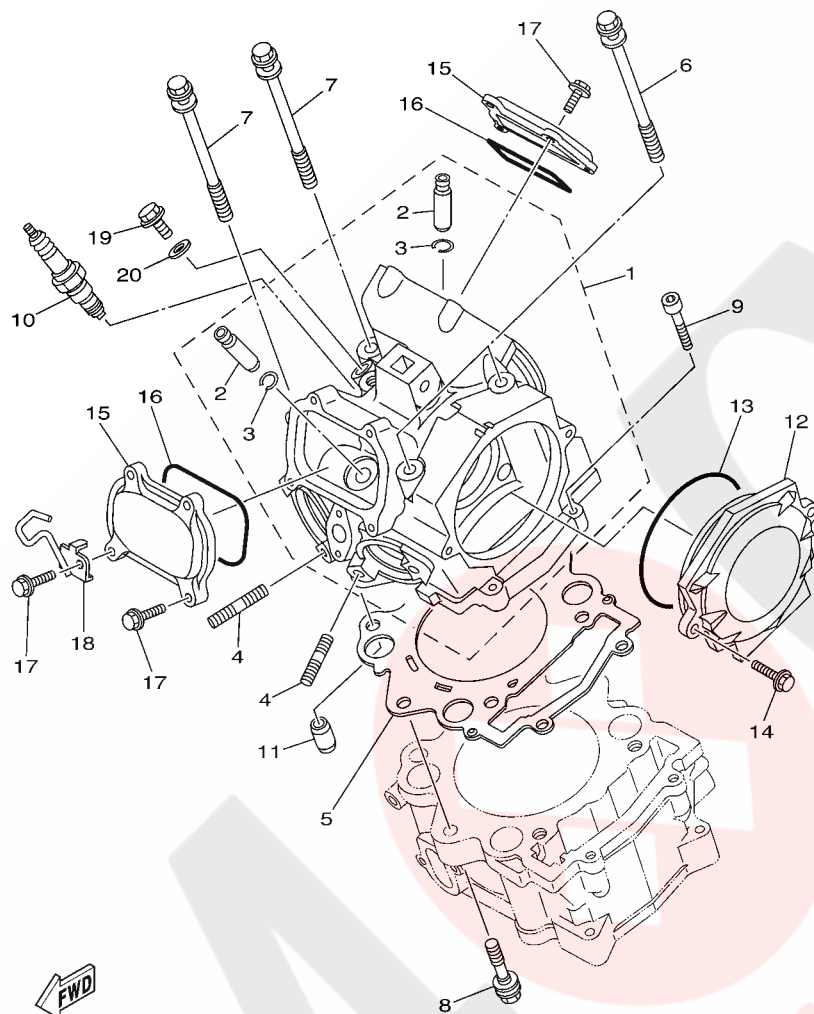
| | |
|-----------------------------|----|
| TAILLIGHT | 55 |
| TAILLIGHT 2 | 56 |
| HANDLE SWITCH & LEVER | 57 |
| ELECTRICAL 1 | 58 |
| ELECTRICAL 2 | 61 |
| EMBLEM & LABEL 1 | 62 |
| EMBLEM & LABEL 2 | 63 |
| EMBLEM & LABEL 3 | 64 |
| EMBLEM & LABEL 4 | 65 |

ALTERNATE PARTS

| | |
|---------------------------|----|
| ALTERNATE FOR METER | 66 |
|---------------------------|----|

INDEX

| | |
|-----------------------|----|
| NUMERICAL INDEX | 67 |
|-----------------------|----|



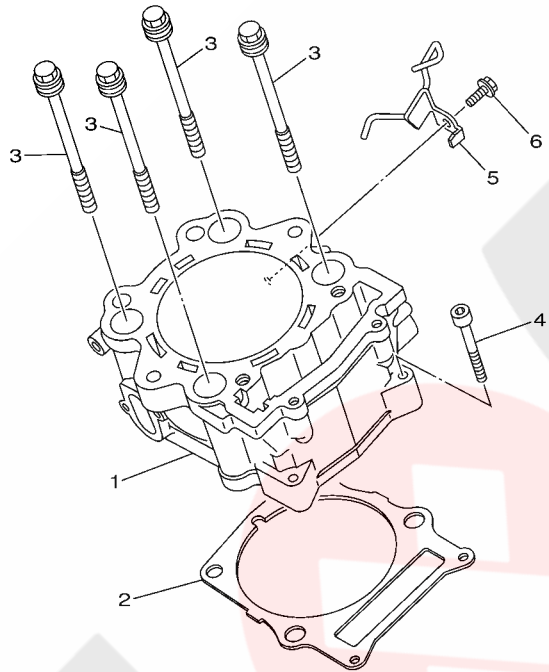
1S31100-E010

FIG. 1 CYLINDER HEAD

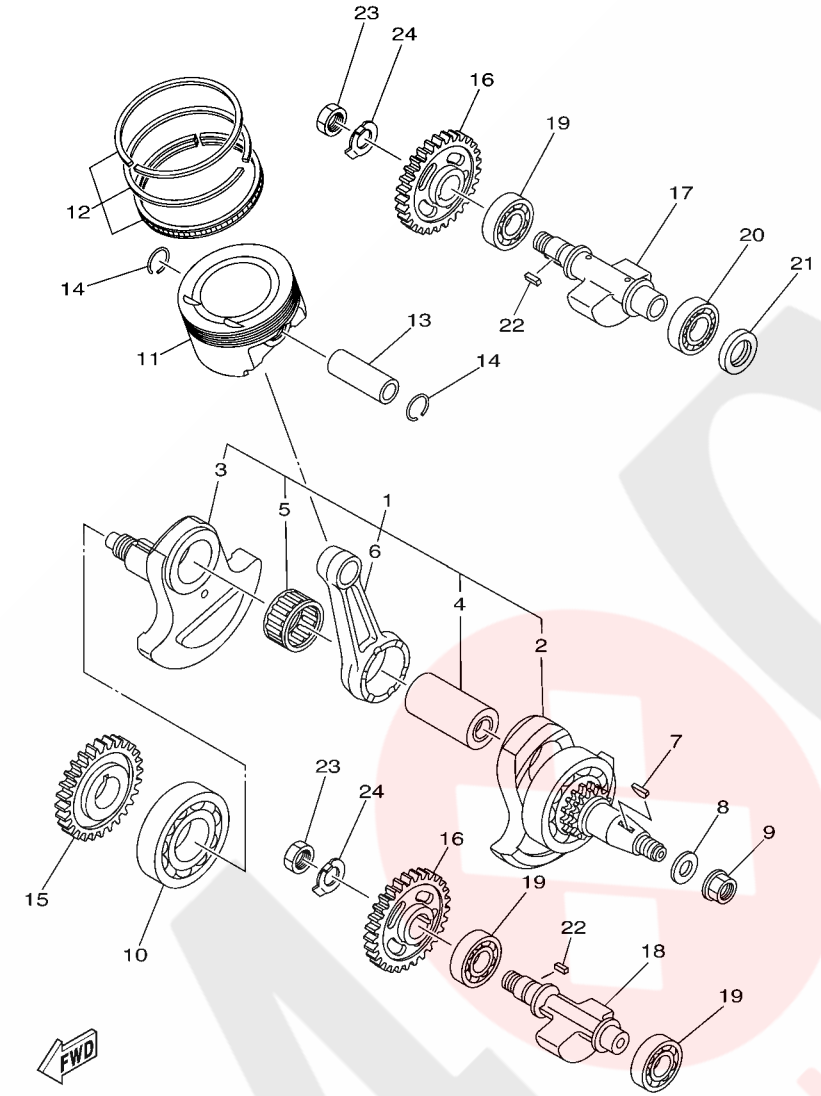
| REF. NO. | PART NO. | DESCRIPTION | USA | CAN | EUR | OCE | REMARKS |
|----------|--------------|-----------------------------|-----|-----|-----|-----|---------|
| 1 | 1S3-11101-00 | CYLINDER HEAD ASSY | 1 | 1 | 1 | 1 | |
| 2 | 4G0-11133-11 | .GUIDE, VALVE 1 | 4 | 4 | 4 | 4 | |
| 3 | 93440-10085 | .CIRCLIP | 4 | 4 | 4 | 4 | |
| 4 | 95612-08625 | BOLT, STUD | 4 | 4 | 4 | 4 | |
| 5 | 3B4-11181-00 | GASKET, CYLINDER HEAD 1 | 1 | 1 | 1 | 1 | |
| 6 | 90109-09003 | BOLT | 2 | 2 | 2 | 2 | |
| 7 | 90109-09002 | BOLT | 2 | 2 | 2 | 2 | |
| 8 | 90109-09005 | BOLT | 2 | 2 | 2 | 2 | |
| 9 | 91312-06030 | BOLT | 2 | 2 | 2 | 2 | |
| 10 | 94701-00330 | PLUG, SPARK (NGK CR8E) | 1 | 1 | 1 | 1 | |
| 11 | 93612-16254 | PIN, DOWEL | 2 | 2 | 2 | 2 | |
| 12 | 1S3-11185-00 | COVER, CYLINDER HEAD SIDE 1 | 1 | 1 | 1 | 1 | |
| 13 | 93210-96601 | O-RING | 1 | 1 | 1 | 1 | |
| 14 | 95022-06020 | BOLT, FLANGE | 2 | 2 | 2 | 2 | |
| 15 | 1S3-11186-00 | COVER, CYLINDER HEAD SIDE 2 | 2 | 2 | 2 | 2 | |
| 16 | 93210-78544 | O-RING | 2 | 2 | 2 | 2 | |
| 17 | 95022-06020 | BOLT, FLANGE | 8 | 8 | 8 | 8 | |
| 18 | 1S3-1131E-00 | HOLDER 1 | 1 | 1 | 1 | 1 | |
| 19 | 90401-08004 | BOLT, UNION | 1 | 1 | 1 | 1 | |
| 20 | 90430-08119 | GASKET | 1 | 1 | 1 | 1 | |

FIG. 2 CYLINDER

| REF. NO. | PART NO. | DESCRIPTION | USA | CAN | EUR | OCE | REMARKS |
|----------|--------------|-------------------|-----|-----|-----|-----|---------|
| 1 | 1S3-11310-00 | CYLINDER | 1 | 1 | 1 | 1 | |
| 2 | 1S3-11351-00 | GASKET, CYLINDER | 1 | 1 | 1 | 1 | |
| 3 | 90119-10023 | BOLT, WITH WASHER | 4 | 4 | 4 | 4 | |
| 4 | 91312-06040 | BOLT | 2 | 2 | 2 | 2 | |
| 5 | 1S3-11395-00 | HOLDER | 1 | 1 | 1 | 1 | |
| 6 | 95822-06012 | BOLT, FLANGE | 1 | 1 | 1 | 1 | |




1S31100-E020



1S31100-E030

FIG. 3 CRANKSHAFT & PISTON

| REF. NO. | PART NO. | DESCRIPTION | USA | CAN | EUR | OCE | REMARKS |
|----------|--------------|-----------------------|-----|-----|-----|-----|---------|
| 1 | 1S3-11400-00 | CRANKSHAFT ASSY | 1 | 1 | 1 | 1 | |
| 2 | 1S3-11401-09 | .CRANK SUB ASSY 1 | 1 | 1 | 1 | 1 | |
| 3 | 1S3-11422-00 | .CRANK 2 | 1 | 1 | 1 | 1 | |
| 4 | 1S3-11681-00 | .PIN, CRANK 1 | 1 | 1 | 1 | 1 | |
| 5 | 93310-84017 | .BEARING | 1 | 1 | 1 | 1 | |
| 6 | 1S3-11651-00 | .ROD, CONNECTING | 1 | 1 | 1 | 1 | |
| 7 | 90280-05001 | KEY, WOODRUFF | 1 | 1 | 1 | 1 | |
| 8 | 90201-16013 | WASHER, PLATE | 1 | 1 | 1 | 1 | |
| 9 | 90179-16004 | NUT | 1 | 1 | 1 | 1 | |
| 10 | 93306-30810 | BEARING | 1 | 1 | 1 | 1 | |
| 11 | 1S3-11631-10 | PISTON (STD) | 1 | 1 | 1 | 1 | |
| 12 | 1S3-11603-10 | PISTON RING SET (STD) | 1 | 1 | 1 | 1 | |
| 13 | 5VK-11633-00 | PIN, PISTON | 1 | 1 | 1 | 1 | |
| 14 | 93450-24154 | CIRCLIP | 2 | 2 | 2 | 2 | |
| 15 | 1S3-11536-00 | GEAR, DRIVE | 1 | 1 | 1 | 1 | |
| 16 | 1S3-11531-00 | GEAR, BALANCE WEIGHT | 2 | 2 | 2 | 2 | |
| 17 | 1S3-11454-00 | WEIGHT 1 | 1 | 1 | 1 | 1 | |
| 18 | 1S3-11464-00 | WEIGHT 2 | 1 | 1 | 1 | 1 | |
| 19 | 93306-20481 | BEARING | 3 | 3 | 3 | 3 | |
| 20 | 93306-00502 | BEARING | 1 | 1 | 1 | 1 | |
| 21 | 93101-25106 | OIL SEAL | 1 | 1 | 1 | 1 | |
| 22 | 90282-05005 | KEY, STRAIGHT | 2 | 2 | 2 | 2 | |
| 23 | 90170-16326 | NUT | 2 | 2 | 2 | 2 | |
| 24 | 90215-16221 | WASHER, LOCK | 2 | 2 | 2 | 2 | |

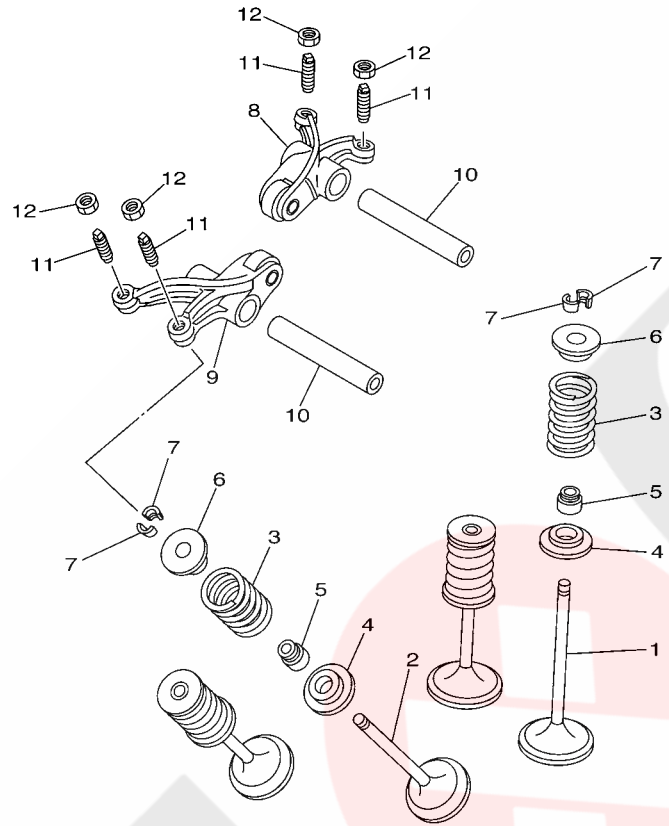


FIG. 4 VALVE

| REF. NO. | PART NO. | DESCRIPTION | USA | CAN | EUR | OCE | REMARKS |
|----------|--------------|------------------------|-----|-----|-----|-----|---------|
| 1 | 5VK-12111-00 | VALVE, INTAKE | 2 | 2 | 2 | 2 | |
| 2 | 5VK-12121-00 | VALVE, EXHAUST | 2 | 2 | 2 | 2 | |
| 3 | 1S3-12113-00 | SPRING, VALVE INNER | 4 | 4 | 4 | 4 | |
| 4 | 3YF-12116-00 | SEAT, VALVE SPRING | 4 | 4 | 4 | 4 | |
| 5 | 5H0-12119-00 | SEAL, VALVE STEM | 4 | 4 | 4 | 4 | |
| 6 | 3YF-12117-01 | RETAINER, VALVE SPRING | 4 | 4 | 4 | 4 | |
| 7 | 4G0-12118-00 | COTTER, VALVE | 8 | 8 | 8 | 8 | |
| 8 | 5VK-12151-00 | ARM, VALVE ROCKER | 1 | 1 | 1 | 1 | |
| 9 | 5VK-12161-00 | ARM, VALVE ROCKER 2 | 1 | 1 | 1 | 1 | |
| 10 | 5VK-12146-00 | SHAFT, ROCKER | 2 | 2 | 2 | 2 | |
| 11 | 5XT-12159-00 | SCREW, VALVE ADJUSTING | 4 | 4 | 4 | 4 | |
| 12 | 90170-06128 | NUT | 4 | 4 | 4 | 4 | |


1S31100-E040

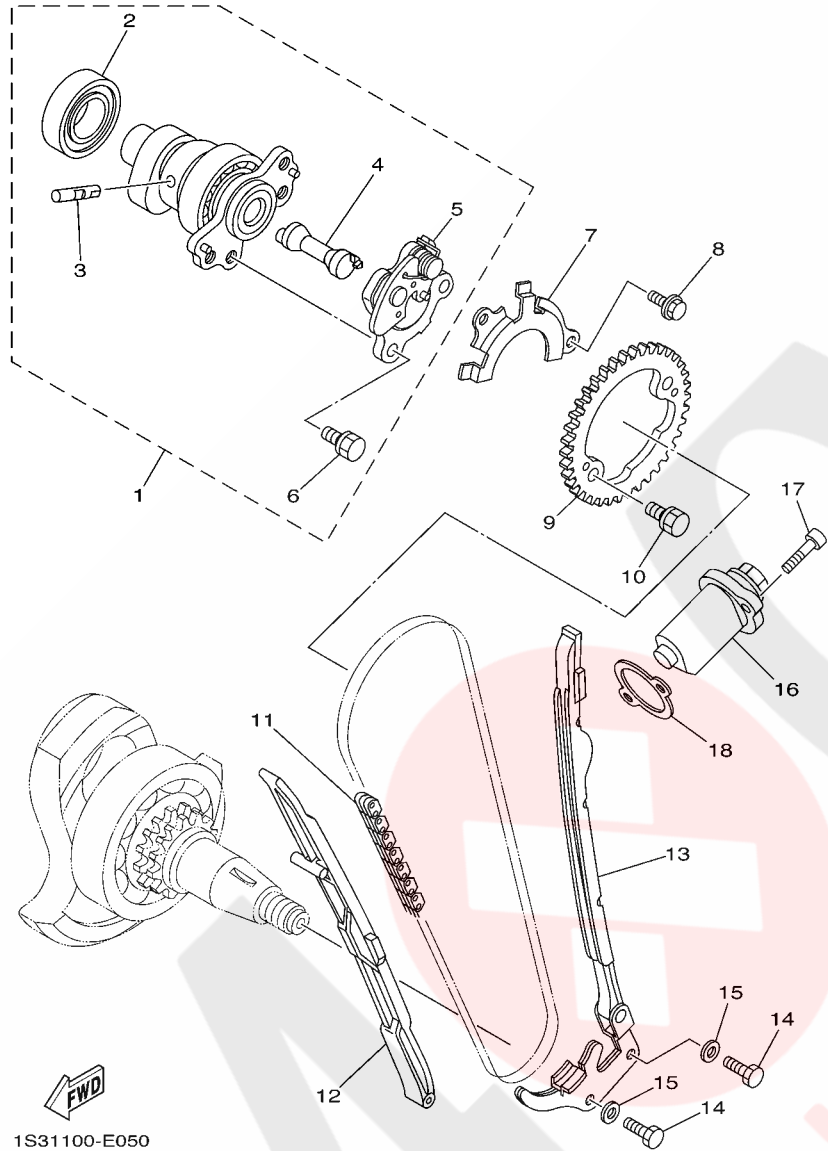
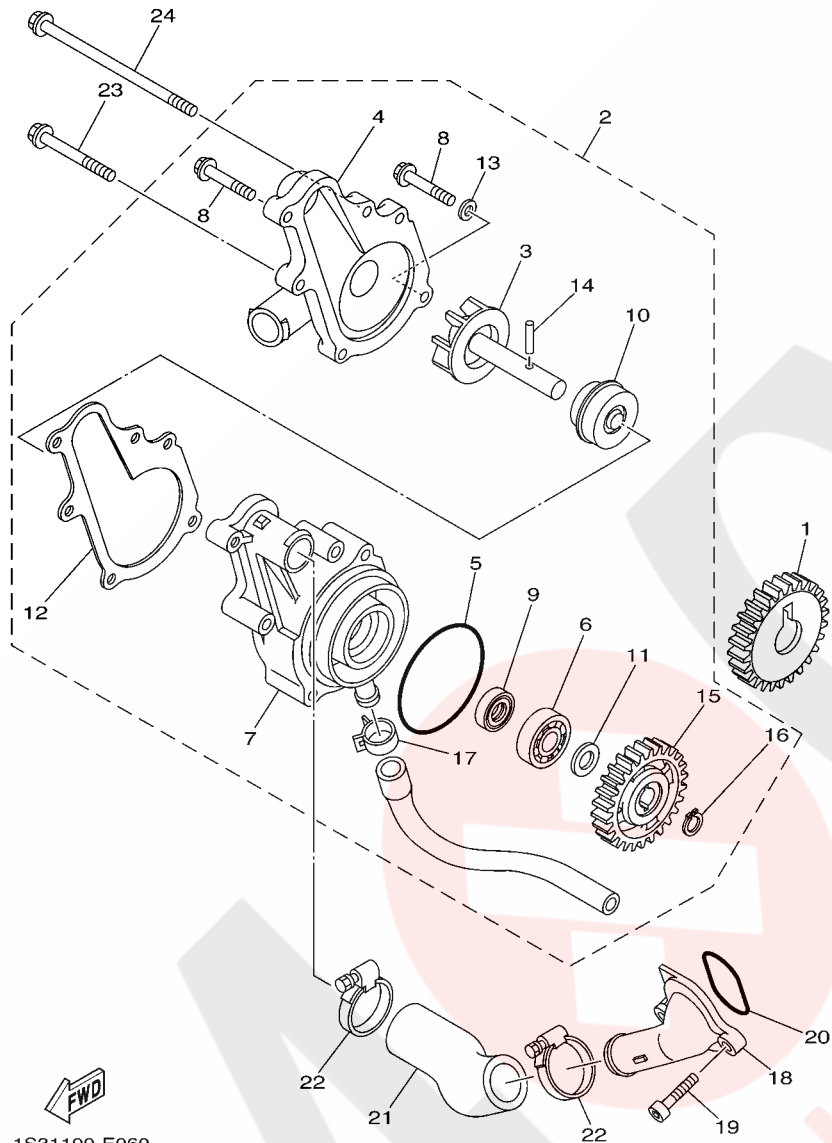


FIG. 5 CAMSHAFT & CHAIN

| REF. NO. | PART NO. | DESCRIPTION | USA | CAN | EUR | OCE | REMARKS |
|----------|--------------|------------------------------|-----|-----|-----|-----|---------|
| 1 | 1S3-12170-01 | CAMSHAFT ASSY 1 | 1 | 1 | 1 | 1 | |
| 2 | 93306-07209 | .BEARING | 1 | 1 | 1 | 1 | |
| 3 | 5VK-12284-00 | .PIN, DECOMPRESSION LEVER | 1 | 1 | 1 | 1 | |
| 4 | 1S3-12290-00 | .LEVER, DECOMPRESSION SPRING | 1 | 1 | 1 | 1 | |
| 5 | 1S3-12280-01 | .DECOMPRESSION ASSY | 1 | 1 | 1 | 1 | |
| 6 | 90105-07004 | .BOLT, FLANGE | 2 | 2 | 2 | 2 | |
| 7 | 5VK-1111F-00 | PLATE | 1 | 1 | 1 | 1 | |
| 8 | 90105-06078 | BOLT, FLANGE | 2 | 2 | 2 | 2 | |
| 9 | 1S3-12176-00 | SPROCKET, CAM CHAIN | 1 | 1 | 1 | 1 | |
| 10 | 90105-07004 | BOLT, FLANGE | 2 | 2 | 2 | 2 | |
| 11 | 94591-57126 | CHAIN (98XRH2010-126M) | 1 | 1 | 1 | 1 | |
| 12 | 5VK-12231-00 | GUIDE, STOPPER 1 | 1 | 1 | 1 | 1 | |
| 13 | 1S3-12241-00 | GUIDE, STOPPER 2 | 1 | 1 | 1 | 1 | |
| 14 | 97022-06016 | BOLT | 2 | 2 | 2 | 2 | |
| 15 | 92902-06600 | WASHER, PLATE | 2 | 2 | 2 | 2 | |
| 16 | 3TB-12210-00 | TENSIONER ASSY, CAM CHAIN | 1 | 1 | 1 | 1 | |
| 17 | 91312-06025 | BOLT | 2 | 2 | 2 | 2 | |
| 18 | 4DW-12213-00 | GASKET, TENSIONER CASE | 1 | 1 | 1 | 1 | |
| | | | | | | | |
| | | | | | | | |
| | | | | | | | |
| | | | | | | | |

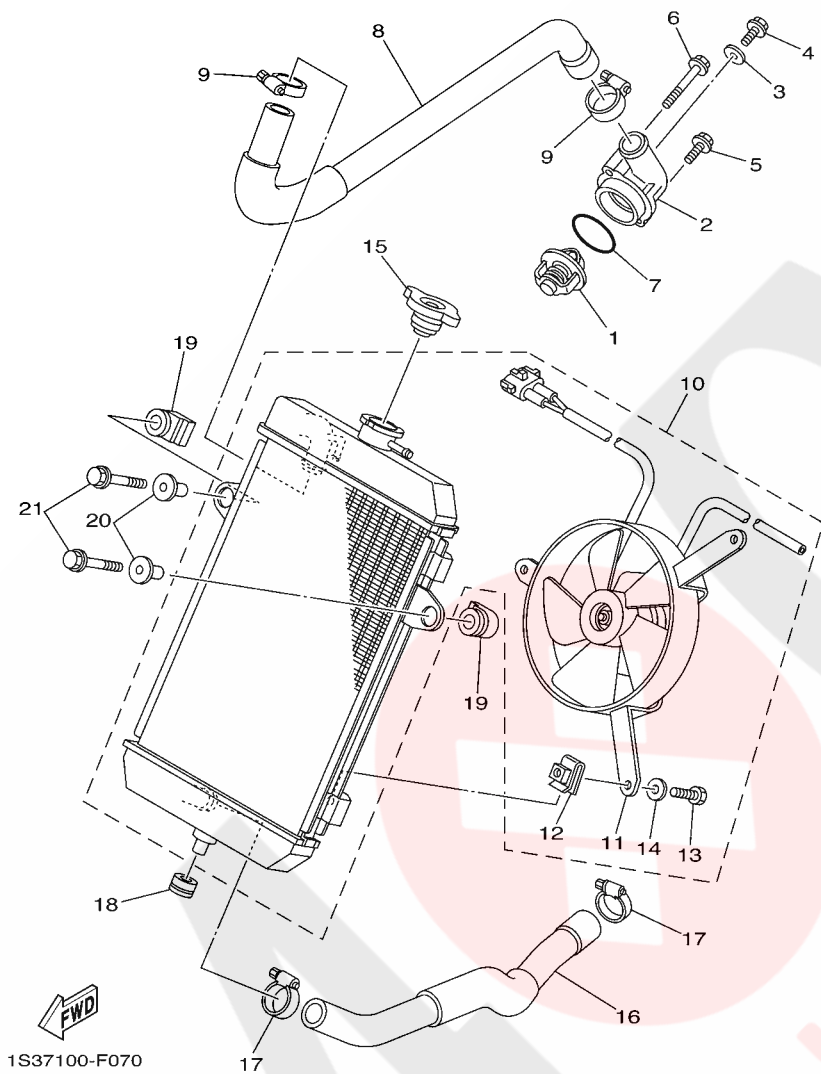


1S31100-E060

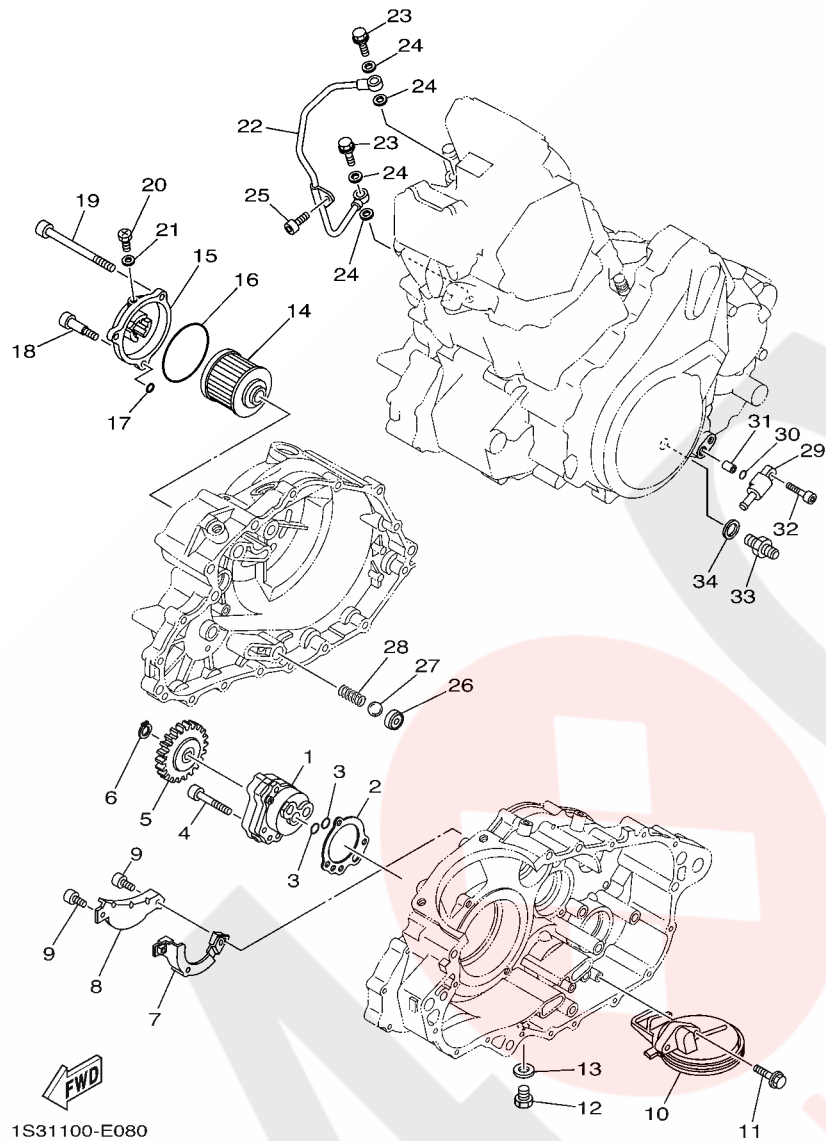
FIG. 6 WATER PUMP

| REF. NO. | PART NO. | DESCRIPTION | USA | CAN | EUR | OCE | REMARKS |
|----------|--------------|--------------------------|-----|-----|-----|-----|---------|
| 1 | 1S3-12436-00 | GEAR, DRIVE | 1 | 1 | 1 | 1 | |
| 2 | 1S3-12420-00 | WATER PUMP ASSY | 1 | 1 | 1 | 1 | |
| 3 | 1S3-12450-00 | .IMPELLER SHAFT ASSY | 1 | 1 | 1 | 1 | |
| 4 | 1S3-12422-00 | .COVER, HOUSING | 1 | 1 | 1 | 1 | |
| 5 | 93210-61750 | .O-RING | 1 | 1 | 1 | 1 | |
| 6 | 93306-00106 | .BEARING | 1 | 1 | 1 | 1 | |
| 7 | 1S3-12421-00 | .HOUSING, WATER PUMP | 1 | 1 | 1 | 1 | |
| 8 | 95022-06025 | .BOLT, FLANGE | 3 | 3 | 3 | 3 | |
| 9 | 93101-12173 | .OIL SEAL | 1 | 1 | 1 | 1 | |
| 10 | 11H-12438-10 | .SEAL, MECHANICAL | 1 | 1 | 1 | 1 | |
| 11 | 90201-12541 | .WASHER, PLATE | 1 | 1 | 1 | 1 | |
| 12 | 1S3-12428-00 | .GASKET, HOUSING COVER 2 | 1 | 1 | 1 | 1 | |
| 13 | 90430-06014 | .GASKET | 1 | 1 | 1 | 1 | |
| 14 | 93603-16219 | .PIN, DOWEL | 1 | 1 | 1 | 1 | |
| 15 | 5VK-12459-00 | .GEAR, IMPELLER SHAFT | 1 | 1 | 1 | 1 | |
| 16 | 99009-12400 | .CIRCLIP | 1 | 1 | 1 | 1 | |
| 17 | 90467-13062 | .CLIP | 1 | 1 | 1 | 1 | |
| 18 | 1S3-12469-00 | JOINT 1 | 1 | 1 | 1 | 1 | |
| 19 | 91312-06020 | BOLT | 2 | 2 | 2 | 2 | |
| 20 | 93210-33786 | O-RING | 1 | 1 | 1 | 1 | |
| 21 | 1S3-12577-00 | HOSE 2 | 1 | 1 | 1 | 1 | |
| 22 | 90450-32015 | HOSE CLAMP ASSY | 2 | 2 | 2 | 2 | |
| 23 | 95022-06050 | BOLT, FLANGE | 2 | 2 | 2 | 2 | |
| 24 | 95022-06110 | BOLT, FLANGE | 1 | 1 | 1 | 1 | |

FIG. 7 RADIATOR & HOSE



| REF. NO. | PART NO. | DESCRIPTION | USA | CAN | EUR | OCE | REMARKS |
|----------|--------------|-------------------|-----|-----|-----|-----|---------|
| 1 | 5VK-12410-00 | THERMOSTAT ASSY | 1 | 1 | 1 | 1 | |
| 2 | 1S3-12413-00 | COVER, THERMOSTAT | 1 | 1 | 1 | 1 | |
| 3 | 90430-06014 | GASKET | 1 | 1 | 1 | 1 | |
| 4 | 95022-06010 | BOLT, FLANGE | 1 | 1 | 1 | 1 | |
| 5 | 95022-06020 | BOLT, FLANGE | 1 | 1 | 1 | 1 | |
| 6 | 95022-06045 | BOLT, FLANGE | 1 | 1 | 1 | 1 | |
| 7 | 93210-41042 | O-RING | 1 | 1 | 1 | 1 | |
| 8 | 1S3-12578-00 | HOSE 3 | 1 | 1 | 1 | 1 | |
| 9 | 90450-32015 | HOSE CLAMP ASSY | 2 | 2 | 2 | 2 | |
| 10 | 1S3-1240A-00 | RADIATOR ASSY | 1 | 1 | 1 | 1 | |
| 11 | 1S3-12405-00 | .BLOWER ASSY | 1 | 1 | 1 | 1 | |
| 12 | 1AA-12535-00 | .PLATE | 3 | 3 | 3 | 3 | |
| 13 | 97017-06010 | .BOLT | 3 | 3 | 3 | 3 | |
| 14 | 92907-06600 | .WASHER, PLATE | 3 | 3 | 3 | 3 | |
| 15 | 22W-12462-00 | CAP, RADIATOR | 1 | 1 | 1 | 1 | |
| 16 | 1S3-12579-00 | HOSE 4 | 1 | 1 | 1 | 1 | |
| 17 | 90450-32015 | HOSE CLAMP ASSY | 2 | 2 | 2 | 2 | |
| 18 | 90480-18330 | GROMMET | 1 | 1 | 1 | 1 | |
| 19 | 1S3-12465-00 | DAMPER, RADIATOR | 2 | 2 | 2 | 2 | |
| 20 | 90387-06166 | COLLAR | 2 | 2 | 2 | 2 | |
| 21 | 95802-06030 | BOLT, FLANGE | 2 | 2 | 2 | 2 | |



1S31100-E080

FIG. 8 OIL PUMP

| REF. NO. | PART NO. | DESCRIPTION | USA | CAN | EUR | OCE | REMARKS |
|----------|--------------|---------------------------|-----|-----|-----|-----|---------|
| 1 | 5LP-13300-00 | OIL PUMP ASSY | 1 | 1 | 1 | 1 | |
| 2 | 5LP-13329-00 | GASKET, PUMP COVER | 1 | 1 | 1 | 1 | |
| 3 | 93210-13361 | O-RING | 2 | 2 | 2 | 2 | |
| 4 | 91312-06035 | BOLT | 3 | 3 | 3 | 3 | |
| 5 | 3AJ-13325-00 | GEAR, PUMP DRIVEN | 1 | 1 | 1 | 1 | |
| 6 | 99009-11400 | CIRCLIP | 1 | 1 | 1 | 1 | |
| 7 | 1S3-13356-00 | COVER, PUMP 2 | 1 | 1 | 1 | 1 | |
| 8 | 1S3-13327-00 | COVER, PUMP GEAR | 1 | 1 | 1 | 1 | |
| 9 | 90110-05030 | BOLT, HEXAGON SOCKET HEAD | 2 | 2 | 2 | 2 | |
| 10 | 1S3-13410-00 | STRAINER HOUSING ASSY | 1 | 1 | 1 | 1 | |
| 11 | 90105-06082 | BOLT, FLANGE | 2 | 2 | 2 | 2 | |
| 12 | 90340-14029 | PLUG, STRAIGHT SCREW | 1 | 1 | 1 | 1 | |
| 13 | 214-11198-01 | GASKET | 1 | 1 | 1 | 1 | |
| 14 | 4X7-13440-01 | ELEMENT ASSY, OIL CLEANER | 1 | 1 | 1 | 1 | |
| 15 | 1S3-13447-00 | COVER, OIL ELEMENT | 1 | 1 | 1 | 1 | |
| 16 | 93210-64297 | O-RING | 1 | 1 | 1 | 1 | |
| 17 | 93210-07135 | O-RING | 1 | 1 | 1 | 1 | |
| 18 | 90109-06169 | BOLT | 1 | 1 | 1 | 1 | |
| 19 | 91312-06095 | BOLT | 2 | 2 | 2 | 2 | |
| 20 | 90149-05018 | SCREW | 1 | 1 | 1 | 1 | |
| 21 | 90430-05126 | GASKET | 1 | 1 | 1 | 1 | |
| 22 | 1S3-13171-00 | PIPE, DELIVERY 2 | 1 | 1 | 1 | 1 | |
| 23 | 90401-10024 | BOLT, UNION | 2 | 2 | 2 | 2 | |
| 24 | 90430-10188 | GASKET | 4 | 4 | 4 | 4 | |
| 25 | 91312-06012 | BOLT | 1 | 1 | 1 | 1 | |
| 26 | 583-13113-00 | SEAT, CHECK BALL | 1 | 1 | 1 | 1 | |
| 27 | 93503-08007 | BALL | 1 | 1 | 1 | 1 | |

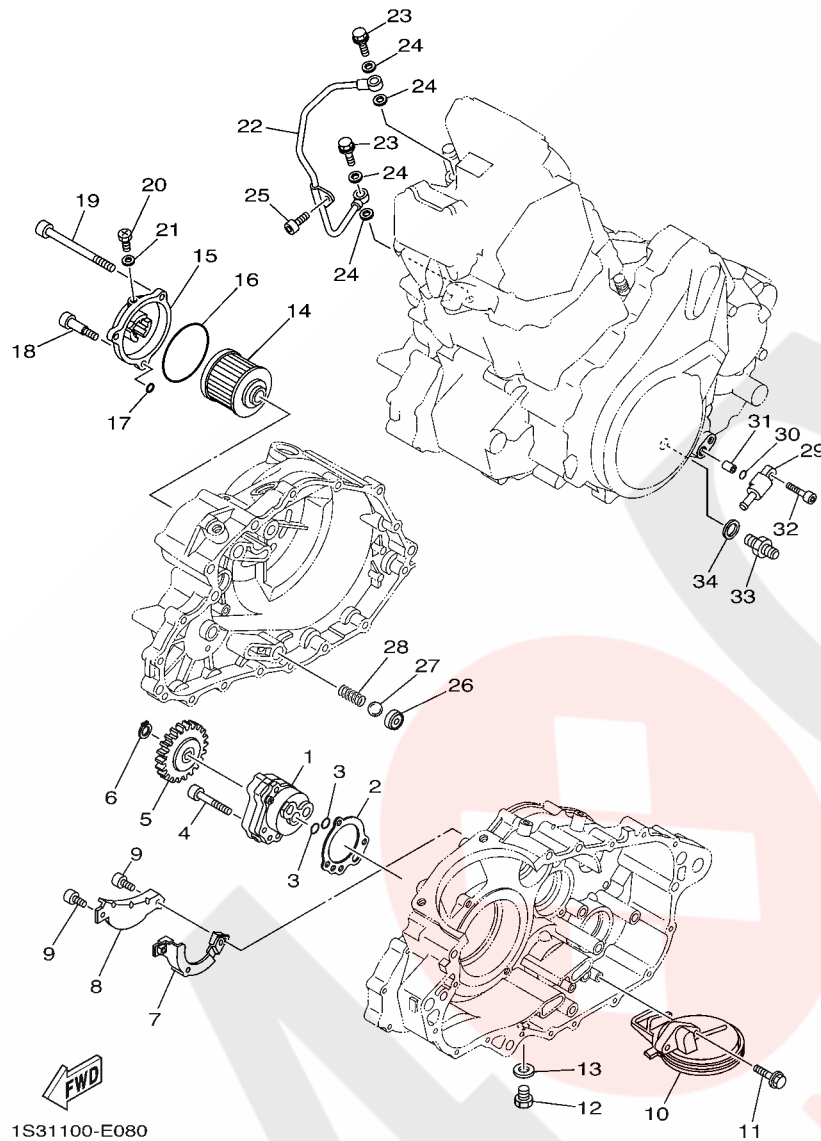


FIG. 8 OIL PUMP

| REF. NO. | PART NO. | DESCRIPTION | USA | CAN | EUR | OCE | REMARKS |
|----------|--------------|---------------------|-----|-----|-----|-----|---------|
| 28 | 90501-043E0 | SPRING, COMPRESSION | 1 | 1 | 1 | 1 | |
| 29 | 1S3-13416-00 | PIPE, OIL 1 | 1 | 1 | 1 | 1 | |
| 30 | 93210-10197 | O-RING | 1 | 1 | 1 | 1 | |
| 31 | 99530-10114 | PIN, DOWEL | 1 | 1 | 1 | 1 | |
| 32 | 95022-06025 | BOLT, FLANGE | 1 | 1 | 1 | 1 | |
| 33 | 1S3-13132-00 | JOINT | 1 | 1 | 1 | 1 | |
| 34 | 90430-14043 | GASKET | 1 | 1 | 1 | 1 | |

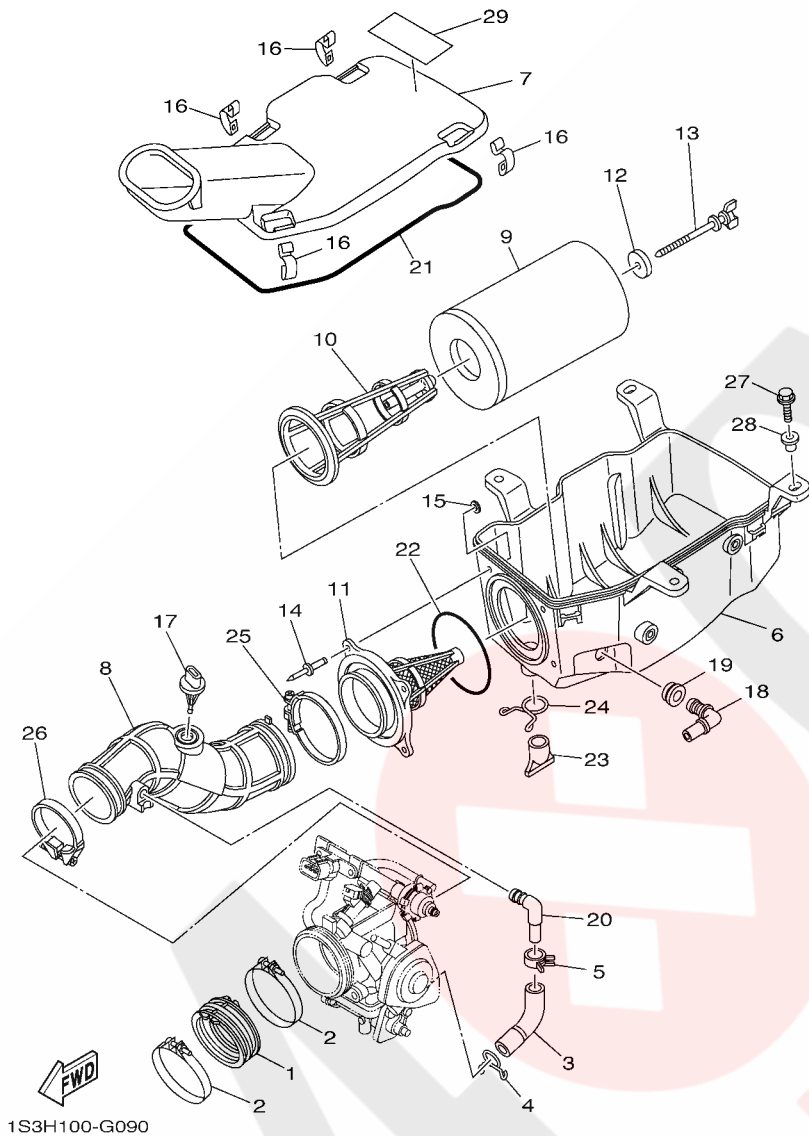


FIG. 9 INTAKE

| REF. NO. | PART NO. | DESCRIPTION | USA | CAN | EUR | OCE | REMARKS |
|----------|--------------|------------------------|-----|-----|-----|-----|---------|
| 1 | 5VK-13586-00 | JOINT, CARBURETOR 1 | 1 | 1 | 1 | 1 | |
| 2 | 90450-72003 | HOSE CLAMP ASSY | 2 | 2 | 2 | 2 | |
| 3 | 1S3-13545-00 | HOSE 1 | 1 | 1 | 1 | 1 | |
| 4 | 90467-160A4 | CLIP | 1 | 1 | 1 | 1 | |
| 5 | 90467-15012 | CLIP | 1 | 1 | 1 | 1 | |
| 6 | 1S3-14411-00 | CASE, AIR CLEANER 1 | 1 | 1 | 1 | 1 | |
| 7 | 1S3-14412-01 | CAP, CLEANER CASE 1 | 1 | 1 | 1 | 1 | |
| 8 | 1S3-14453-00 | JOINT, AIR CLEANER 1 | 1 | 1 | 1 | 1 | |
| 9 | 1S3-14451-00 | ELEMENT, AIR CLEANER | 1 | 1 | 1 | 1 | |
| 10 | 1S3-14458-00 | GUIDE | 1 | 1 | 1 | 1 | |
| 11 | 1S3-14459-01 | HOLDER, GUIDE | 1 | 1 | 1 | 1 | |
| 12 | 90209-06096 | WASHER | 1 | 1 | 1 | 1 | |
| 13 | 90122-06010 | BOLT, WING | 1 | 1 | 1 | 1 | |
| 14 | 90267-48138 | RIVET, BLIND | 4 | 4 | 4 | 4 | |
| 15 | 90201-04028 | WASHER, PLATE | 4 | 4 | 4 | 4 | |
| 16 | 5GH-14436-00 | HOOK | 4 | 4 | 4 | 4 | |
| 17 | 5VU-85886-00 | SENSOR, AIR TEMPRATURE | 1 | 1 | 1 | 1 | |
| 18 | 5KM-14419-00 | PIPE | 1 | 1 | 1 | 1 | |
| 19 | 31A-14435-00 | GROMMET | 1 | 1 | 1 | 1 | |
| 20 | 31A-14419-00 | PIPE | 1 | 1 | 1 | 1 | |
| 21 | 10M-14457-00 | SEAL | 1 | 1 | 1 | 1 | |
| 22 | 1S3-14457-00 | SEAL | 1 | 1 | 1 | 1 | |
| 23 | 59V-14457-00 | SEAL | 1 | 1 | 1 | 1 | |
| 24 | 90467-220A1 | CLIP | 1 | 1 | 1 | 1 | |
| 25 | 90460-75020 | CLAMP, HOSE | 1 | 1 | 1 | 1 | |
| 26 | 90450-59006 | HOSE CLAMP ASSY | 1 | 1 | 1 | 1 | |
| 27 | 90105-06084 | BOLT, FLANGE | 4 | 4 | 4 | 4 | |

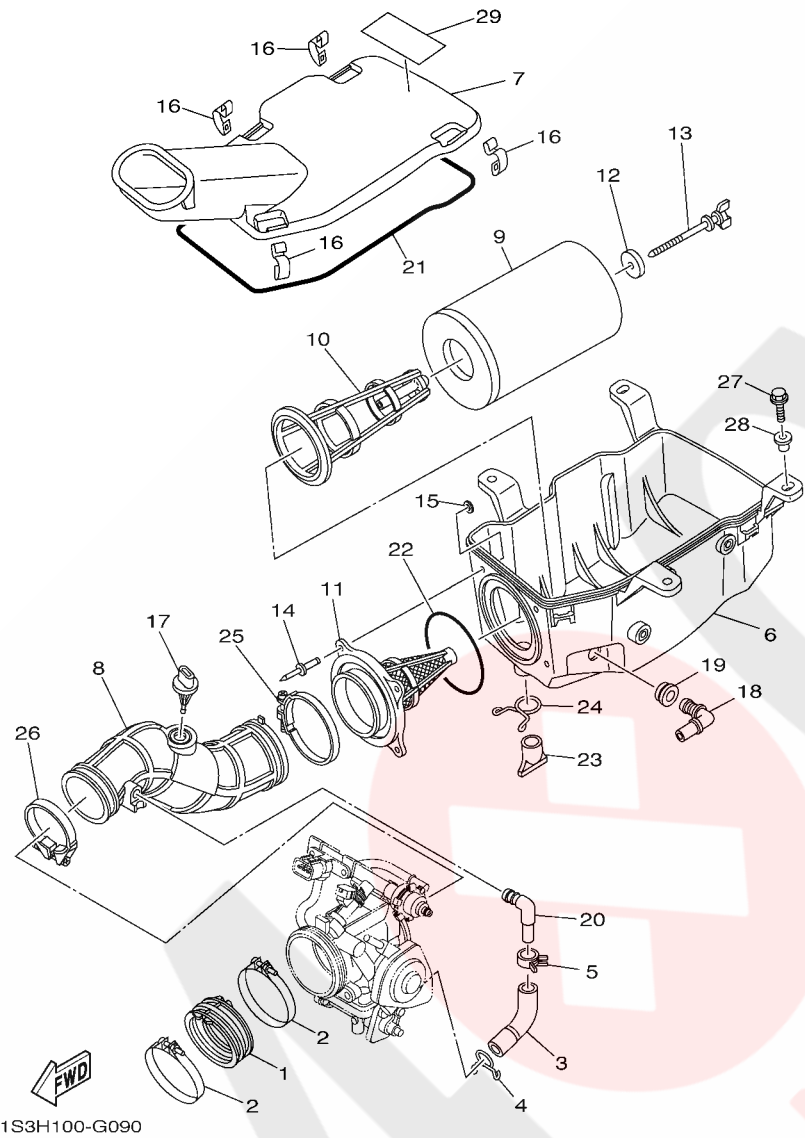


FIG. 9 INTAKE

| REF. NO. | PART NO. | DESCRIPTION | USA | CAN | EUR | OCE | REMARKS |
|----------|--------------|--------------------------|-----|-----|-----|-----|---------|
| 28 | 90387-08073 | COLLAR | 4 | 4 | 4 | 4 | |
| 29 | 1S3-2177C-20 | PLATE, EPA OFFROAD ATV 1 | 1 | | | | |
| | | | | | | | |
| | | | | | | | |
| | | | | | | | |
| | | | | | | | |
| | | | | | | | |
| | | | | | | | |
| | | | | | | | |

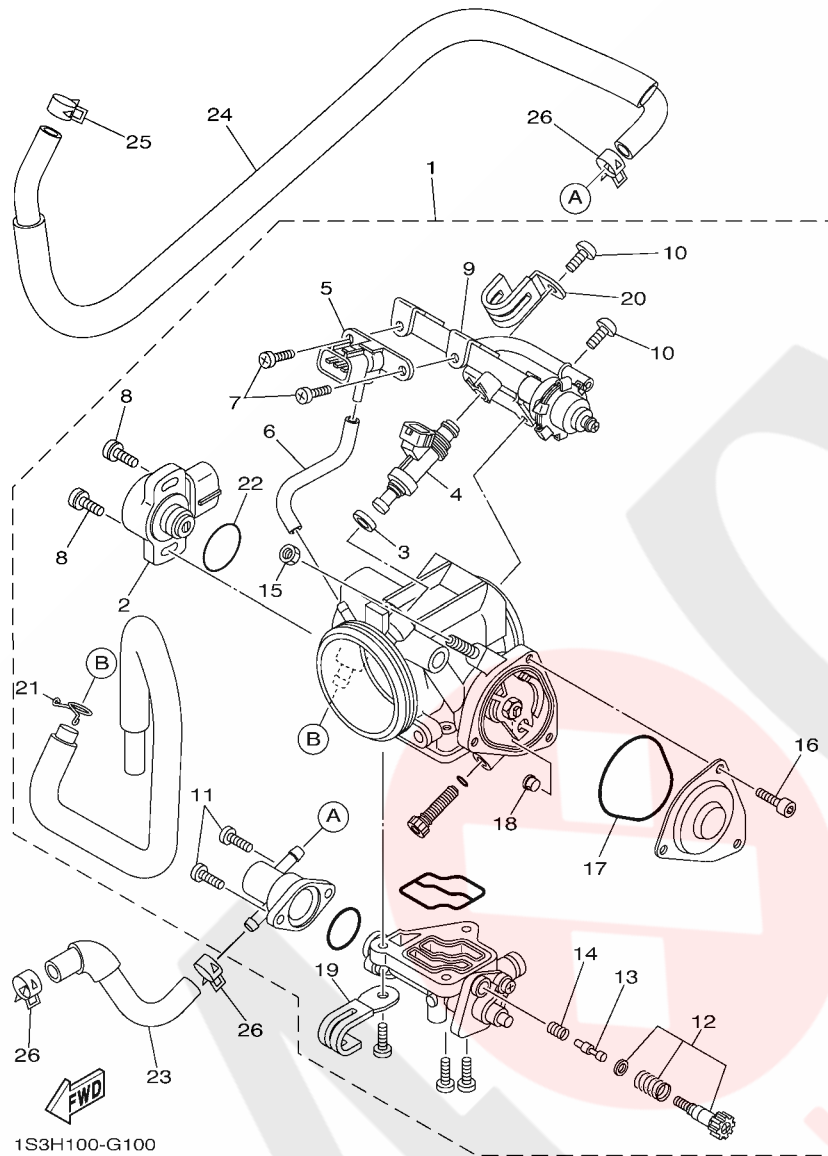


FIG. 10 THROTTLE BODY ASSY 1

| REF. NO. | PART NO. | DESCRIPTION | USA | CAN | EUR | OCE | REMARKS |
|----------|--------------|------------------------|-----|-----|-----|-----|---------|
| 1 | 1S3-13750-10 | THROTTLE BODY ASSY | 1 | 1 | 1 | 1 | |
| 2 | 8GL-85885-00 | .THROTTLE SENSOR ASSY | 1 | 1 | 1 | 1 | |
| 3 | 8FP-13556-00 | .GASKET, MANIFOLD | 1 | 1 | 1 | 1 | |
| 4 | 5VK-13761-00 | .INJECTOR | 1 | 1 | 1 | 1 | |
| 5 | 1C7-82380-00 | .SENSOR, PRESSURE | 1 | 1 | 1 | 1 | |
| 6 | 5JW-14348-00 | .PIPE 1 | 1 | 1 | 1 | 1 | |
| 7 | 98507-06010 | .SCREW, PAN HEAD | 2 | 2 | 2 | 2 | |
| 8 | 8CC-14216-10 | .SCREW | 2 | 2 | 2 | 2 | |
| 9 | 1S3-13160-00 | .DELIVERY PIPE ASSY 1 | 1 | 1 | 1 | 1 | |
| 10 | 98507-06012 | .SCREW, PAN HEAD | 2 | 2 | 2 | 2 | |
| 11 | 98507-05012 | .SCREW, PAN HEAD | 2 | 2 | 2 | 2 | |
| 12 | 5VX-14503-00 | .ADJUST SCREW SET | 1 | 1 | 1 | 1 | |
| 13 | 1S3-13493-00 | .PLUNGER | 1 | 1 | 1 | 1 | |
| 14 | 4BH-14134-00 | .SPRING, AIR ADJUSTING | 1 | 1 | 1 | 1 | |
| 15 | 1S3-14161-00 | .NUT, CABLE ADJUSTING | 1 | 1 | 1 | 1 | |
| 16 | 91312-04006 | .BOLT | 3 | 3 | 3 | 3 | |
| 17 | 4WV-14147-10 | .O-RING | 1 | 1 | 1 | 1 | |
| 18 | 1UY-14155-00 | .GUIDE, CABLE | 1 | 1 | 1 | 1 | |
| 19 | 3JC-14146-00 | .PLATE | 1 | 1 | 1 | 1 | |
| 20 | 5JW-14945-00 | .PLATE | 1 | 1 | 1 | 1 | |
| 21 | 90467-09006 | .CLIP | 1 | 1 | 1 | 1 | |
| 22 | 5YP-14562-00 | .O-RING | 1 | 1 | 1 | 1 | |
| 23 | 1S3-1243A-00 | HOSE 1 | 1 | 1 | 1 | 1 | |
| 24 | 1S3-1243E-00 | HOSE 2 | 1 | 1 | 1 | 1 | |
| 25 | 90467-11090 | CLIP | 1 | 1 | 1 | 1 | |
| 26 | 90467-11090 | CLIP | 3 | 3 | 3 | 3 | |

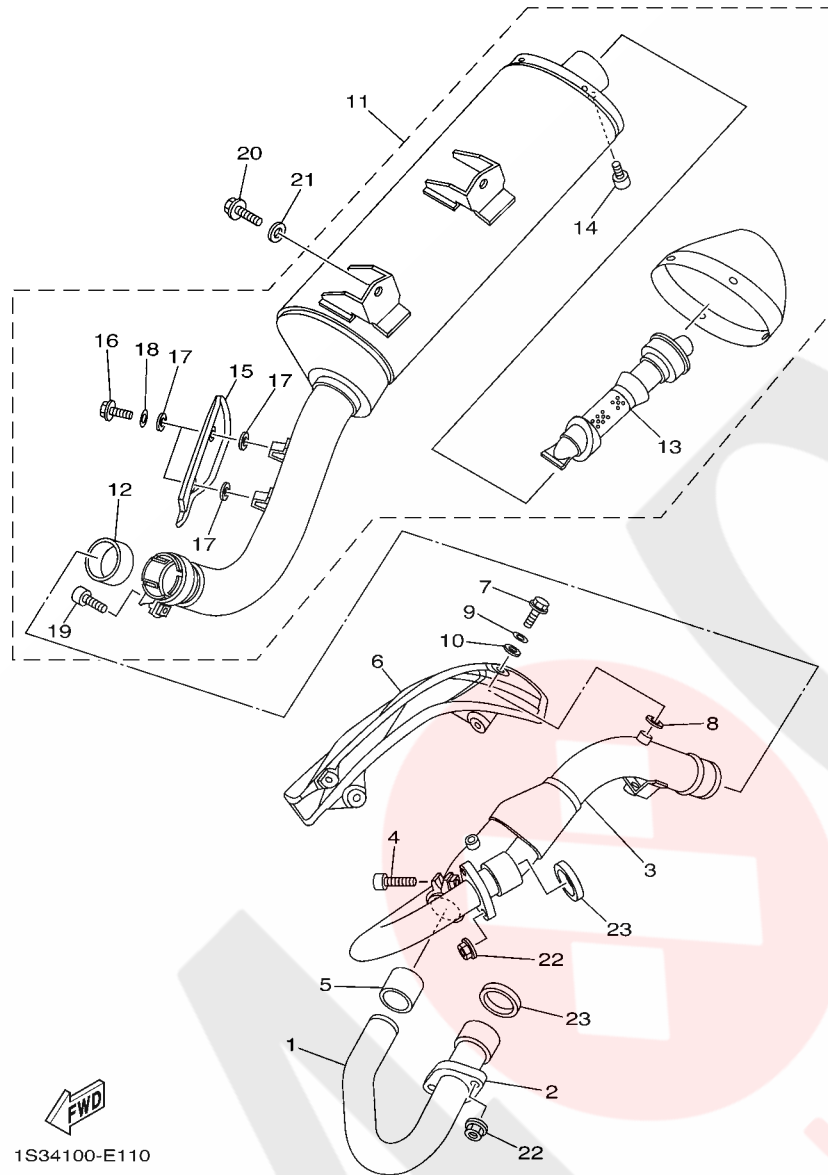


FIG. 11 EXHAUST

| REF. NO. | PART NO. | DESCRIPTION | USA | CAN | EUR | OCE | REMARKS |
|----------|--------------|-------------------------|-----|-----|-----|-----|---------|
| 1 | 1S3-14611-00 | PIPE, EXHAUST 1 | 1 | 1 | 1 | 1 | |
| 2 | 1S3-14612-00 | NUT, RING | 1 | 1 | 1 | 1 | |
| 3 | 1S3-14621-01 | PIPE, EXHAUST 2 | 1 | 1 | 1 | 1 | |
| 4 | 91314-08035 | BOLT | 1 | 1 | 1 | 1 | |
| 5 | 3YF-14714-00 | GASKET, MUFFLER | 1 | 1 | 1 | 1 | |
| 6 | 1S3-14628-00 | PROTECTOR, EXHAUST PIPE | 1 | 1 | 1 | 1 | |
| 7 | 95022-06012 | BOLT, FLANGE | 4 | 4 | 4 | 4 | |
| 8 | 90201-05015 | WASHER, PLATE | 4 | 4 | 4 | 4 | |
| 9 | 90201-06035 | WASHER, PLATE | 4 | 4 | 4 | 4 | |
| 10 | 90201-05019 | WASHER, PLATE | 4 | 4 | 4 | 4 | |
| 11 | 1S3-14710-10 | MUFFLER ASSY 1 | 1 | 1 | 1 | 1 | |
| 12 | 5LP-14714-00 | .GASKET, MUFFLER | 1 | 1 | 1 | 1 | |
| 13 | 1S3-14752-00 | .PIPE, OUTLET | 1 | 1 | 1 | 1 | |
| 14 | 91312-06010 | .BOLT | 1 | 1 | 1 | 1 | |
| 15 | 1S3-14728-00 | .PROTECTOR, MUFFLER 2 | 1 | 1 | 1 | 1 | |
| 16 | 98902-06010 | .SCREW, BIND | 2 | 2 | 2 | 2 | |
| 17 | 90201-05015 | .WASHER, PLATE | 4 | 4 | 4 | 4 | |
| 18 | 92902-06200 | .WASHER | 2 | 2 | 2 | 2 | |
| 19 | 91314-08035 | .BOLT | 1 | 1 | 1 | 1 | |
| 20 | 90105-08142 | BOLT, FLANGE | 2 | 2 | 2 | 2 | |
| 21 | 90201-08048 | WASHER, PLATE | 2 | 2 | 2 | 2 | |
| 22 | 95702-08500 | NUT, WITH WASHER | 4 | 4 | 4 | 4 | |
| 23 | 3YF-14613-01 | GASKET, EXHAUST PIPE | 2 | 2 | 2 | 2 | |

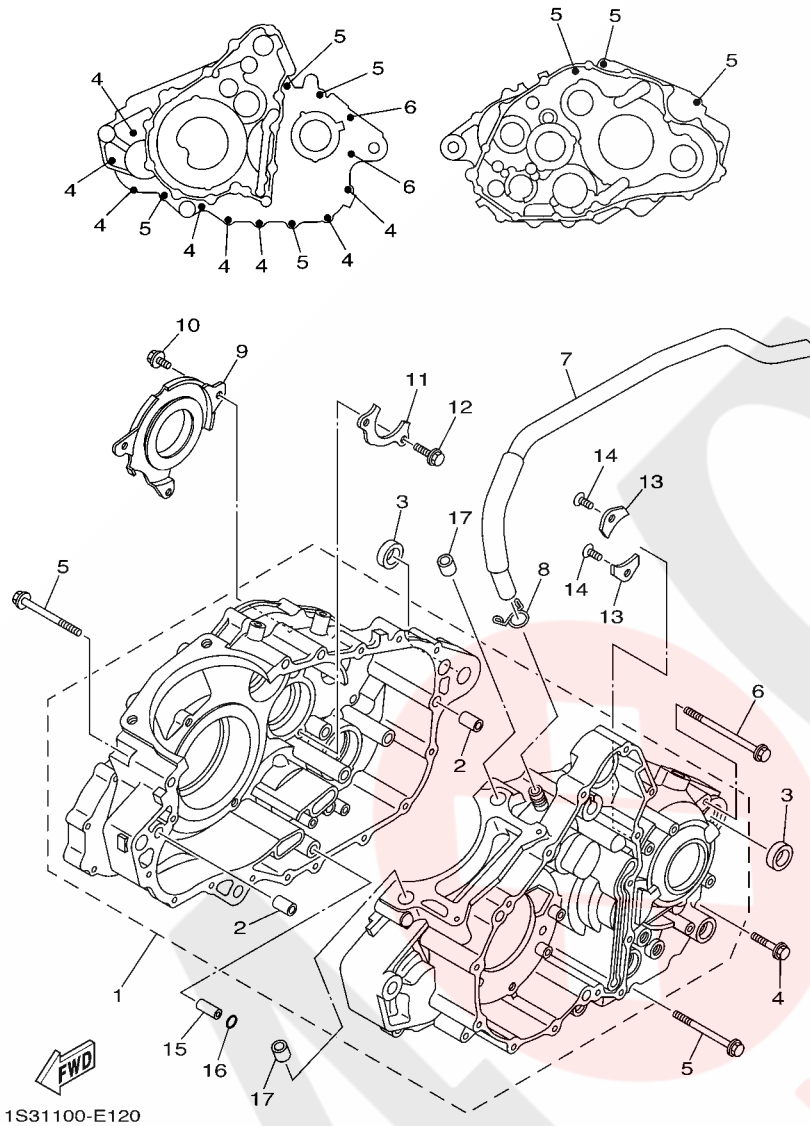


FIG. 12 CRANKCASE

| REF. NO. | PART NO. | DESCRIPTION | USA | CAN | EUR | OCE | REMARKS |
|----------|--------------|----------------------|-----|-----|-----|-----|---------|
| 1 | 1S3-15100-01 | CRANKCASE ASSY | 1 | 1 | 1 | 1 | |
| 2 | 99530-10114 | .PIN, DOWEL | 2 | 2 | 2 | 2 | |
| 3 | 90387-17009 | COLLAR | 2 | 2 | 2 | 2 | |
| 4 | 95022-06030 | BOLT, FLANGE | 8 | 8 | 8 | 8 | |
| 5 | 95022-06070 | BOLT, FLANGE | 7 | 7 | 7 | 7 | |
| 6 | 95022-06090 | BOLT, FLANGE | 2 | 2 | 2 | 2 | |
| 7 | 1S3-11166-00 | PIPE, BREATHER 1 | 1 | 1 | 1 | 1 | |
| 8 | 90467-140A4 | CLIP | 1 | 1 | 1 | 1 | |
| 9 | 1S3-11165-00 | PLATE, BREATHER | 1 | 1 | 1 | 1 | |
| 10 | 90105-06081 | BOLT, FLANGE | 3 | 3 | 3 | 3 | |
| 11 | 1S3-15383-00 | PLATE, BEARING COVER | 1 | 1 | 1 | 1 | |
| 12 | 90105-06082 | BOLT, FLANGE | 2 | 2 | 2 | 2 | |
| 13 | 4JT-15381-01 | PLATE, BEARING COVER | 2 | 2 | 2 | 2 | |
| 14 | 90149-06074 | SCREW | 2 | 2 | 2 | 2 | |
| 15 | 99530-08016 | PIN, DOWEL | 1 | 1 | 1 | 1 | |
| 16 | 93210-07135 | O-RING | 1 | 1 | 1 | 1 | |
| 17 | 99530-14016 | PIN, DOWEL | 2 | 2 | 2 | 2 | |
| | | | | | | | |
| | | | | | | | |
| | | | | | | | |
| | | | | | | | |

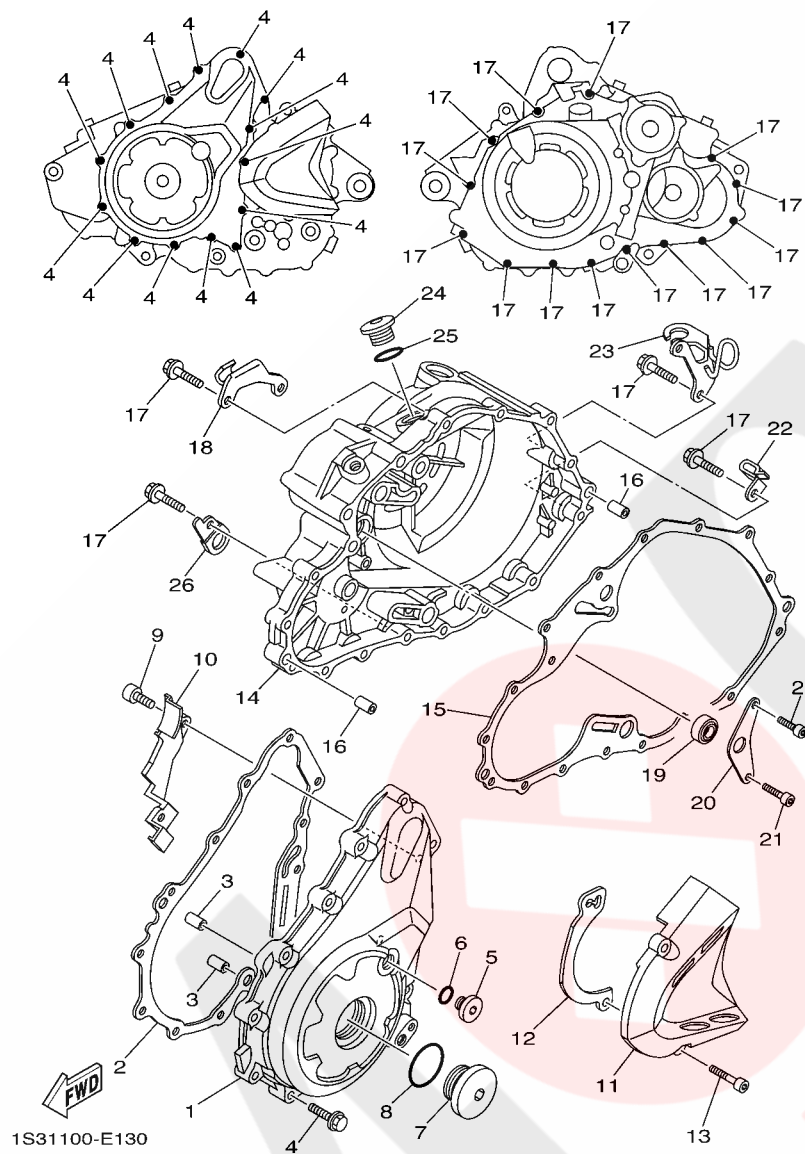
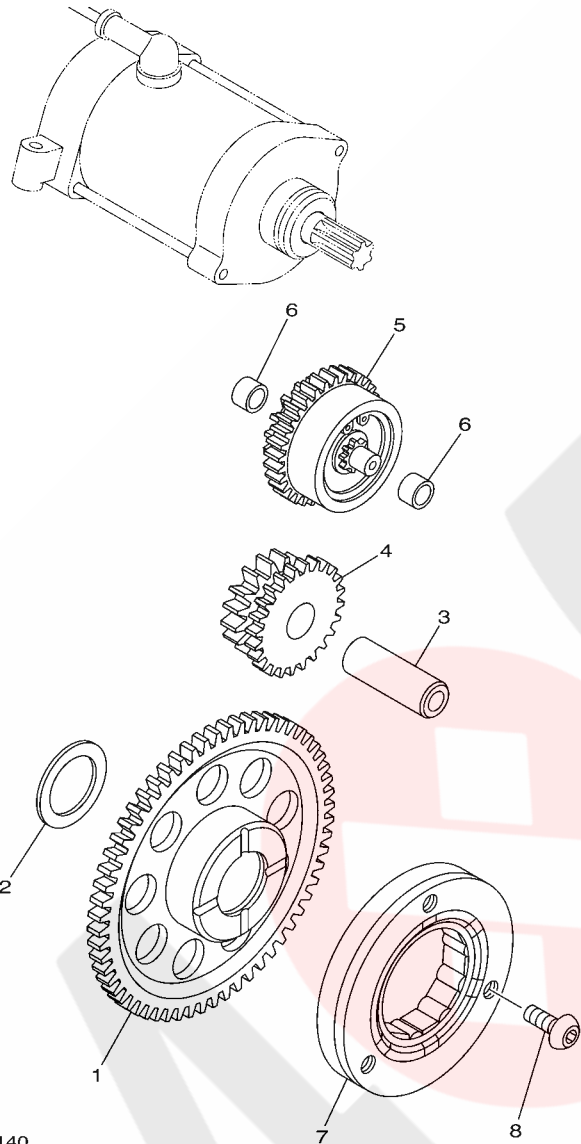


FIG. 13 CRANKCASE COVER 1

| REF. NO. | PART NO. | DESCRIPTION | USA | CAN | EUR | OCE | REMARKS |
|----------|--------------|---------------------------|-----|-----|-----|-----|---------|
| 1 | 1S3-15411-00 | COVER, CRANKCASE 1 | 1 | 1 | 1 | 1 | |
| 2 | 1S3-15451-00 | GASKET, CRANKCASE COVER 1 | 1 | 1 | 1 | 1 | |
| 3 | 99530-10114 | PIN, DOWEL | 2 | 2 | 2 | 2 | |
| 4 | 95022-06030 | BOLT, FLANGE | 14 | 14 | 14 | 14 | |
| 5 | 90340-14003 | PLUG, STRAIGHT SCREW | 1 | 1 | 1 | 1 | |
| 6 | 93210-14369 | O-RING | 1 | 1 | 1 | 1 | |
| 7 | 90340-36001 | PLUG, STRAIGHT SCREW | 1 | 1 | 1 | 1 | |
| 8 | 93210-357A3 | O-RING | 1 | 1 | 1 | 1 | |
| 9 | 90110-05031 | BOLT, HEXAGON SOCKET HEAD | 1 | 1 | 1 | 1 | |
| 10 | 1S3-15113-00 | PLATE | 1 | 1 | 1 | 1 | |
| 11 | 1S3-15421-00 | COVER, CRANKCASE 2 | 1 | 1 | 1 | 1 | |
| 12 | 1S3-17466-00 | GUIDE, CHAIN | 1 | 1 | 1 | 1 | |
| 13 | 91312-06025 | BOLT | 2 | 2 | 2 | 2 | |
| 14 | 1S3-15431-00 | COVER, CRANKCASE 3 | 1 | 1 | 1 | 1 | |
| 15 | 1S3-15462-00 | GASKET, CRANKCASE COVER 3 | 1 | 1 | 1 | 1 | |
| 16 | 99530-10120 | PIN, DOWEL | 2 | 2 | 2 | 2 | |
| 17 | 95022-06030 | BOLT, FLANGE | 14 | 14 | 14 | 14 | |
| 18 | 1S3-15441-00 | HOLDER, CLUTCH CABLE | 1 | 1 | 1 | 1 | |
| 19 | 93101-14164 | OIL SEAL | 1 | 1 | 1 | 1 | |
| 20 | 1S3-15118-00 | HOLDER | 1 | 1 | 1 | 1 | |
| 21 | 90110-06182 | BOLT, HEXAGON SOCKET HEAD | 2 | 2 | 2 | 2 | |
| 22 | 90461-10011 | CLAMP | 1 | 1 | 1 | 1 | |
| 23 | 1S3-1546C-00 | HOLDER | 1 | 1 | 1 | 1 | |
| 24 | 1S3-15189-00 | PLUG | 1 | 1 | 1 | 1 | |
| 25 | 93210-207A0 | O-RING | 1 | 1 | 1 | 1 | |
| 26 | 90462-08046 | CLAMP | 1 | 1 | 1 | 1 | |



1S31100-E140

FIG. 14 STARTER

| REF. NO. | PART NO. | DESCRIPTION | USA | CAN | EUR | OCE | REMARKS |
|----------|--------------|----------------------|-----|-----|-----|-----|---------|
| 1 | 1S3-15515-00 | GEAR 3 | 1 | 1 | 1 | 1 | |
| 2 | 90201-286K9 | WASHER, PLATE (T1.0) | 1 | 1 | 1 | 1 | |
| 3 | 1VJ-15522-00 | SHAFT 2 | 1 | 1 | 1 | 1 | |
| 4 | 1S3-15517-00 | GEAR, IDLER 2 | 1 | 1 | 1 | 1 | |
| 5 | 1S3-15560-00 | DAMPER ASSY | 1 | 1 | 1 | 1 | |
| 6 | 90380-10002 | BUSH, SOLID | 2 | 2 | 2 | 2 | |
| 7 | 5VK-15590-00 | STARTER ONE-WAY ASSY | 1 | 1 | 1 | 1 | |
| 8 | 90149-08018 | SCREW | 3 | 3 | 3 | 3 | |
| | | | | | | | |
| | | | | | | | |
| | | | | | | | |
| | | | | | | | |
| | | | | | | | |
| | | | | | | | |
| | | | | | | | |

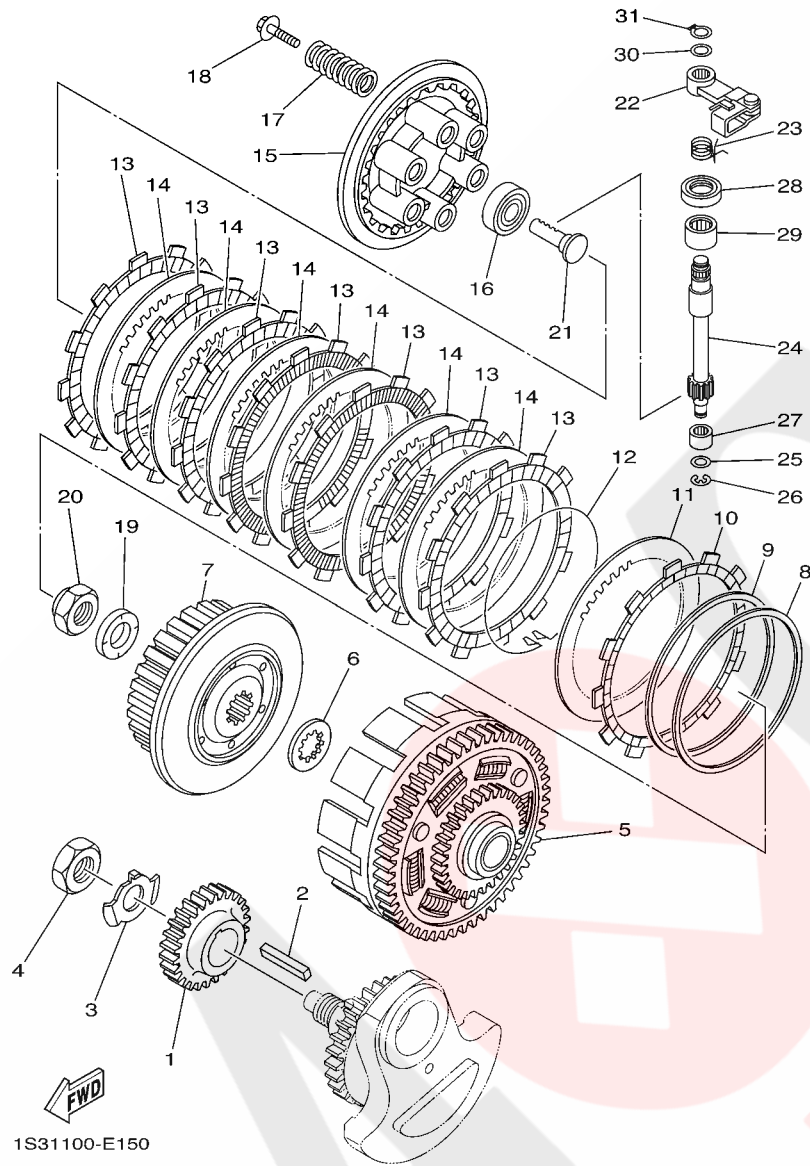


FIG. 15 CLUTCH

| REF. NO. | PART NO. | DESCRIPTION | USA | CAN | EUR | OCE | REMARKS |
|----------|--------------|---------------------------|-----|-----|-----|-----|---------|
| 1 | 1S3-16111-00 | GEAR, PRIMARY DRIVE | 1 | 1 | 1 | 1 | |
| 2 | 90282-07003 | KEY, STRAIGHT | 1 | 1 | 1 | 1 | |
| 3 | 90215-20006 | WASHER, LOCK | 1 | 1 | 1 | 1 | |
| 4 | 90170-20274 | NUT | 1 | 1 | 1 | 1 | |
| 5 | 1S3-16150-00 | PRIMARY DRIVEN GEAR COMP. | 1 | 1 | 1 | 1 | |
| 6 | 2JN-16154-00 | PLATE, THRUST 1 | 1 | 1 | 1 | 1 | |
| 7 | 1S3-16371-00 | BOSS, CLUTCH | 1 | 1 | 1 | 1 | |
| 8 | 5JG-16384-00 | PLATE, SEAT | 1 | 1 | 1 | 1 | |
| 9 | 5JG-16383-00 | SPRING, CLUTCH BOSS | 1 | 1 | 1 | 1 | |
| 10 | 5TG-16331-00 | PLATE, FRICTION 2 | 1 | 1 | 1 | 1 | |
| 11 | 4X7-16325-00 | PLATE, CLUTCH 2 | 1 | 1 | 1 | 1 | |
| 12 | 4X7-16385-00 | RING, CLUTCH BOSS | 1 | 1 | 1 | 1 | |
| 13 | 5TA-16321-00 | PLATE, FRICTION | 7 | 7 | 7 | 7 | |
| 14 | 4X7-16325-00 | PLATE, CLUTCH 2 | 6 | 6 | 6 | 6 | |
| 15 | 1S3-16351-00 | PLATE, PRESSURE 1 | 1 | 1 | 1 | 1 | |
| 16 | 93306-00304 | BEARING | 1 | 1 | 1 | 1 | |
| 17 | 90501-230E4 | SPRING, COMPRESSION | 6 | 6 | 6 | 6 | |
| 18 | 90159-06029 | SCREW, WITH WASHER | 6 | 6 | 6 | 6 | |
| 19 | 90208-20001 | WASHER, CONICAL SPRING | 1 | 1 | 1 | 1 | |
| 20 | 90179-20007 | NUT | 1 | 1 | 1 | 1 | |
| 21 | 4XV-16356-01 | ROD, PUSH 1 | 1 | 1 | 1 | 1 | |
| 22 | 3LD-16340-01 | PUSH LEVER ASSY | 1 | 1 | 1 | 1 | |
| 23 | 90508-18018 | SPRING, TORSION | 1 | 1 | 1 | 1 | |
| 24 | 5EB-16382-00 | AXLE, PUSH LEVER | 1 | 1 | 1 | 1 | |
| 25 | 92902-08600 | WASHER, PLATE | 1 | 1 | 1 | 1 | |
| 26 | 99001-07600 | CIRCLIP | 1 | 1 | 1 | 1 | |
| 27 | 93317-11020 | BEARING | 1 | 1 | 1 | 1 | |

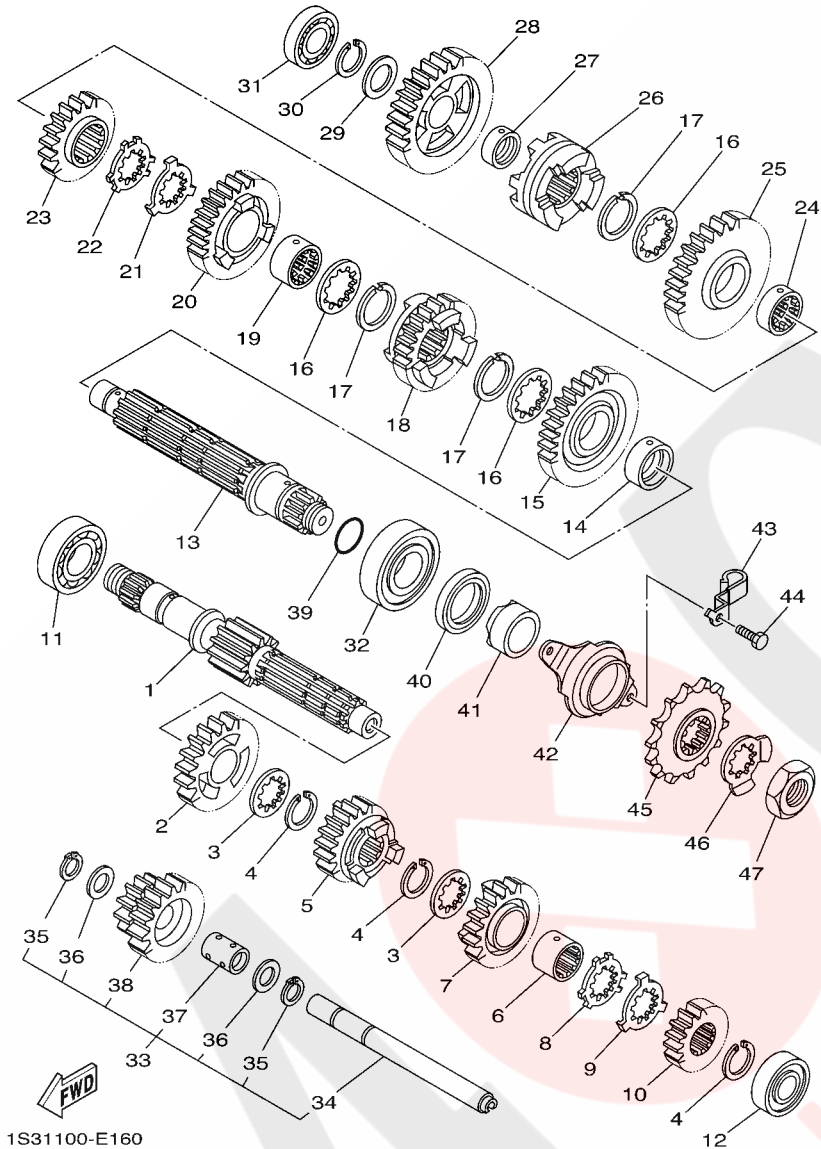
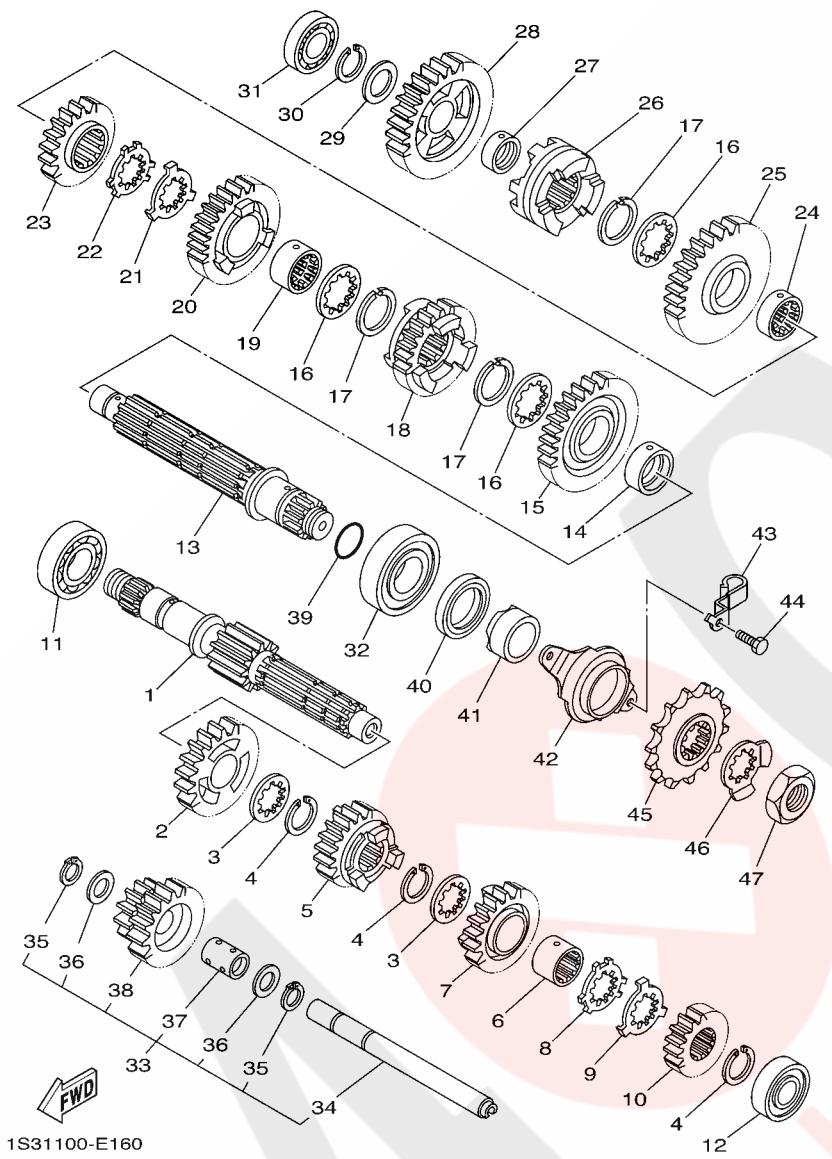


FIG. 16 TRANSMISSION

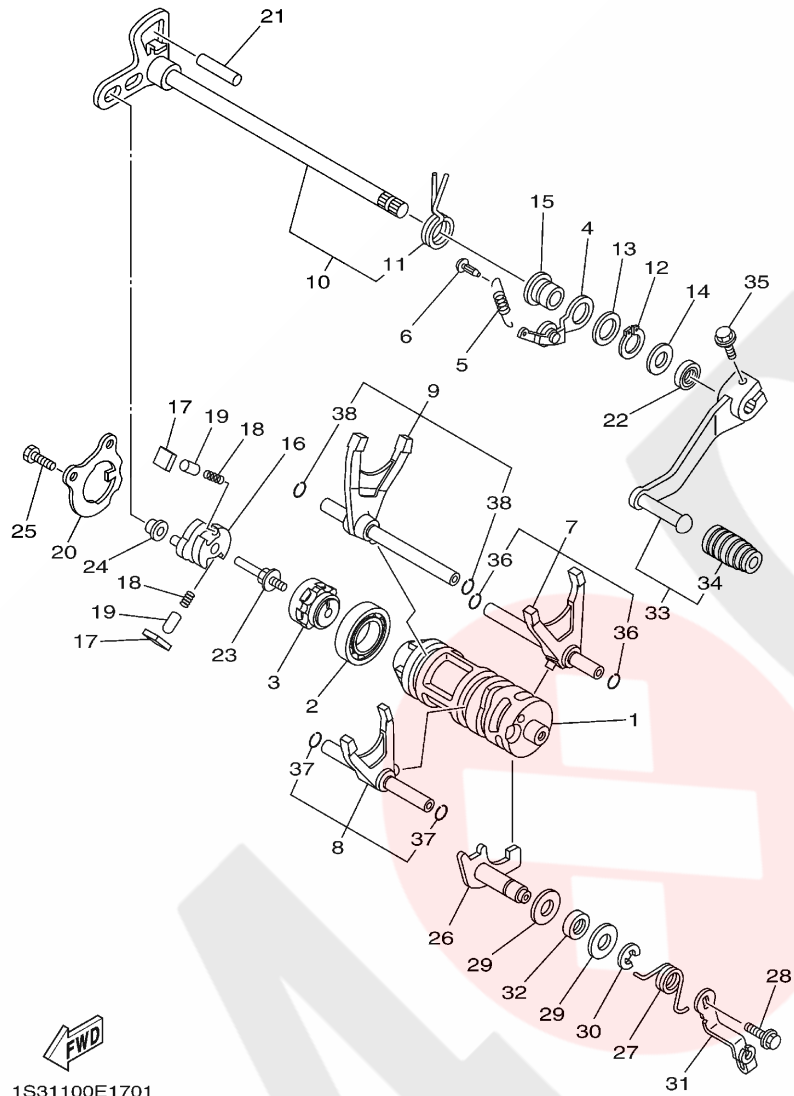
| REF. NO. | PART NO. | DESCRIPTION | USA | CAN | EUR | OCE | REMARKS |
|----------|--------------|------------------------|-----|-----|-----|-----|---------|
| 1 | 1S3-17401-00 | MAIN AXLE ASSY | 1 | 1 | 1 | 1 | |
| 2 | 1S3-17151-00 | GEAR, 5TH PINION (24T) | 1 | 1 | 1 | 1 | |
| 3 | 90209-22008 | WASHER | 2 | 2 | 2 | 2 | |
| 4 | 93440-25084 | CIRCLIP | 3 | 3 | 3 | 3 | |
| 5 | 1S3-17131-00 | GEAR, 3RD PNION (17T) | 1 | 1 | 1 | 1 | |
| 6 | 90387-22006 | COLLAR | 1 | 1 | 1 | 1 | |
| 7 | 1S3-17141-00 | GEAR, 4TH PINION (22T) | 1 | 1 | 1 | 1 | |
| 8 | 90214-22003 | WASHER, CLAW | 1 | 1 | 1 | 1 | |
| 9 | 90214-22002 | WASHER, CLAW | 1 | 1 | 1 | 1 | |
| 10 | 1S3-17121-00 | GEAR, 2ND PINION (14T) | 1 | 1 | 1 | 1 | |
| 11 | 93306-20501 | BEARING | 1 | 1 | 1 | 1 | |
| 12 | 93306-00431 | BEARING | 1 | 1 | 1 | 1 | |
| 13 | 1S3-17402-00 | DRIVE AXLE ASSY | 1 | 1 | 1 | 1 | |
| 14 | 90387-28008 | COLLAR | 1 | 1 | 1 | 1 | |
| 15 | 1S3-17221-00 | GEAR, 2ND WHEEL (28T) | 1 | 1 | 1 | 1 | |
| 16 | 90209-26008 | WASHER | 3 | 3 | 3 | 3 | |
| 17 | 93440-28062 | CIRCLIP | 3 | 3 | 3 | 3 | |
| 18 | 1S3-17241-00 | GEAR, 4TH WHEEL (25T) | 1 | 1 | 1 | 1 | |
| 19 | 90387-26005 | COLLAR | 1 | 1 | 1 | 1 | |
| 20 | 1S3-17231-00 | GEAR, 3RD WHEEL (25T) | 1 | 1 | 1 | 1 | |
| 21 | 90214-26002 | WASHER, CLAW | 1 | 1 | 1 | 1 | |
| 22 | 90214-26003 | WASHER, CLAW | 1 | 1 | 1 | 1 | |
| 23 | 1S3-17251-00 | GEAR, 5TH WHEEL (22T) | 1 | 1 | 1 | 1 | |
| 24 | 90387-26004 | COLLAR | 1 | 1 | 1 | 1 | |
| 25 | 1S3-17211-00 | GEAR, 1ST WHEEL (38T) | 1 | 1 | 1 | 1 | |
| 26 | 1S3-17285-00 | CLUTCH, DOG | 1 | 1 | 1 | 1 | |
| 27 | 90387-20021 | COLLAR | 1 | 1 | 1 | 1 | |



1S31100-E160

FIG. 16 TRANSMISSION

| REF. NO. | PART NO. | DESCRIPTION | USA | CAN | EUR | OCE | REMARKS |
|----------|--------------|--------------------------------|-----|-----|-----|-----|---------|
| 28 | 1S3-17253-00 | GEAR, REVERSE WHEEL 2 (29T) | 1 | 1 | 1 | 1 | |
| 29 | 90201-20276 | WASHER, PLATE (T=1.0) | 1 | 1 | 1 | 1 | |
| 30 | 99009-20400 | CIRCLIP | 1 | 1 | 1 | 1 | |
| 31 | 93306-00415 | BEARING | 1 | 1 | 1 | 1 | |
| 32 | 93306-27803 | BEARING | 1 | 1 | 1 | 1 | |
| 33 | 1S3-17430-00 | COUNTER AXLE ASSY | 1 | 1 | 1 | 1 | |
| 34 | 1S3-17432-00 | .AXLE, IDLE | 1 | 1 | 1 | 1 | |
| 35 | 93440-15012 | .CIRCLIP | 2 | 2 | 2 | 2 | |
| 36 | 90201-152P4 | .WASHER, PLATE | 2 | 2 | 2 | 2 | |
| 37 | 90387-1504G | .COLLAR | 1 | 1 | 1 | 1 | |
| 38 | 1S3-17243-00 | .GEAR, REVERSE WHEEL1(12T/24T) | 1 | 1 | 1 | 1 | |
| 39 | 93210-25001 | O-RING | 1 | 1 | 1 | 1 | |
| 40 | 93102-35393 | OIL SEAL | 1 | 1 | 1 | 1 | |
| 41 | 90387-28009 | COLLAR | 1 | 1 | 1 | 1 | |
| 42 | 1S3-17471-00 | PLATE, COVER | 1 | 1 | 1 | 1 | |
| 43 | 90461-10011 | CLAMP | 1 | 1 | 1 | 1 | |
| 44 | 97022-06014 | BOLT | 2 | 2 | 2 | 2 | |
| 45 | 9383G-14231 | SPROCKET, DRIVE (14T) | 1 | 1 | 1 | 1 | |
| 46 | 90215-25003 | WASHER, LOCK | 1 | 1 | 1 | 1 | |
| 47 | 90179-22011 | NUT | 1 | 1 | 1 | 1 | |

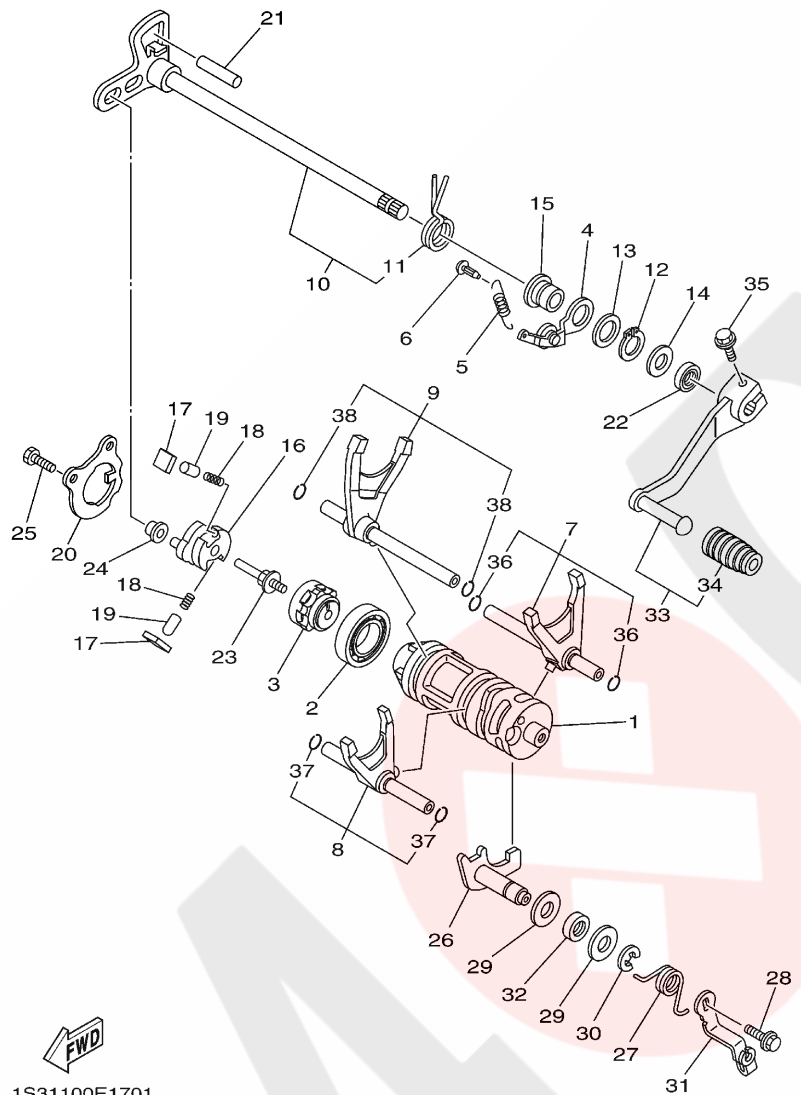


1S31100E1701

FIG. 17 SHIFT CAM & FORK

| REF. NO. | PART NO. | DESCRIPTION | USA | CAN | EUR | OCE | REMARKS |
|----------|--------------|---------------------|-----|-----|-----|-----|---------|
| 1 | 1S3-18541-00 | CAM, SHIFT | 1 | 1 | 1 | 1 | |
| 2 | 93306-90509 | BEARING | 1 | 1 | 1 | 1 | |
| 3 | 4EW-18185-00 | SEGMENT | 1 | 1 | 1 | 1 | |
| 4 | 1S3-18140-00 | STOPPER LEVER ASSY | 1 | 1 | 1 | 1 | |
| 5 | 5JW-18144-00 | HANGER, SPRING | 1 | 1 | 1 | 1 | |
| 6 | 132-16346-00 | HÖÖK, SPRING | 1 | 1 | 1 | 1 | |
| 7 | 1S3-18501-00 | FORK, SHIFT 1 | 1 | 1 | 1 | 1 | |
| 8 | 1S3-18502-00 | FORK, SHIFT 2 | 1 | 1 | 1 | 1 | |
| 9 | 1S3-18503-00 | FORK, SHIFT 3 | 1 | 1 | 1 | 1 | |
| 10 | 1S3-18101-00 | SHIFT SHAFT ASSY | 1 | 1 | 1 | 1 | |
| 11 | 90508-35007 | .SPRING, TORSION | 1 | 1 | 1 | 1 | |
| 12 | 99009-17400 | CIRCLIP | 1 | 1 | 1 | 1 | |
| 13 | 90201-177G4 | WASHER, PLATE | 1 | 1 | 1 | 1 | |
| 14 | 90201-12040 | WASHER, PLATE | 1 | 1 | 1 | 1 | |
| 15 | 5VK-18699-00 | BOSS 1 | 1 | 1 | 1 | 1 | |
| 16 | 1S3-18122-00 | LEVER, SHIFT 2 | 1 | 1 | 1 | 1 | |
| 17 | 3XJ-18182-00 | PAWL, SHIFTER | 2 | 2 | 2 | 2 | |
| 18 | 90501-052G5 | SPRING, COMPRESSION | 2 | 2 | 2 | 2 | |
| 19 | 3XJ-18184-00 | PIN, PAWL | 2 | 2 | 2 | 2 | |
| 20 | 1S3-18172-00 | GUIDE, SHIFT | 1 | 1 | 1 | 1 | |
| 21 | 93608-30002 | PIN, DOWEL | 1 | 1 | 1 | 1 | |
| 22 | 93102-12224 | OIL SEAL | 1 | 1 | 1 | 1 | |
| 23 | 3XJ-18173-10 | PIN, SHIFT | 1 | 1 | 1 | 1 | |
| 24 | 3XJ-18178-00 | ROLLER, SHIFT LEVER | 1 | 1 | 1 | 1 | |
| 25 | 90101-06664 | BOLT | 2 | 2 | 2 | 2 | |
| 26 | 1S3-18380-00 | SHIFTER BRKT. ASSY | 1 | 1 | 1 | 1 | |
| 27 | 5LP-18337-01 | SPRING | 1 | 1 | 1 | 1 | |

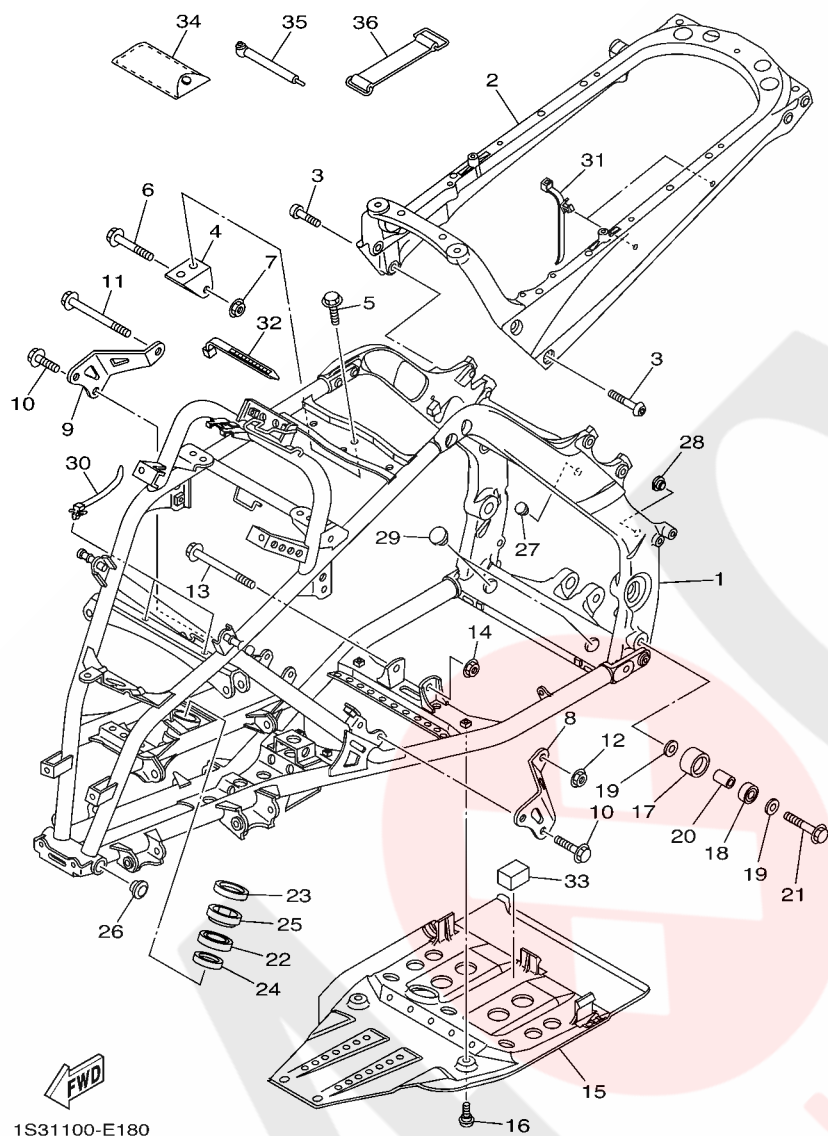
FIG. 17 SHIFT CAM & FORK



1S31100E1701

| REF. NO. | PART NO. | DESCRIPTION | USA | CAN | EUR | OCE | REMARKS |
|----------|--------------|--------------------------|-----|-----|-----|-----|---------|
| 28 | 95812-06012 | BOLT, FLANGE | 1 | 1 | 1 | 1 | |
| 29 | 90201-12575 | WASHER, PLATE | 2 | 2 | 2 | 2 | |
| 30 | 99001-10600 | CIRCLIP | 1 | 1 | 1 | 1 | |
| 31 | 5LP-18431-00 | BRACKET, SHIFTER | 1 | 1 | 1 | 1 | |
| 32 | 93102-12106 | OIL SEAL (SD 12-22-5 HS) | 1 | 1 | 1 | 1 | |
| 33 | 1S3-18110-10 | SHIFT PEDAL ASSY | 1 | 1 | 1 | 1 | |
| 34 | 5YT-18113-00 | .COVER, SHIFT PEDAL | 1 | 1 | 1 | 1 | |
| 35 | 90105-06142 | BOLT, FLANGE | 1 | 1 | 1 | 1 | |
| 36 | 93440-09141 | .CIRCLIP | 2 | 2 | 2 | 2 | |
| 37 | 93440-09141 | .CIRCLIP | 2 | 2 | 2 | 2 | |
| 38 | 93440-09141 | .CIRCLIP | 2 | 2 | 2 | 2 | |

FIG. 18 FRAME



| REF. NO. | PART NO. | DESCRIPTION | USA | CAN | EUR | OCE | REMARKS |
|----------|--------------|-------------------|-----|-----|-----|-----|---------|
| 1 | 1S3-21101-18 | FRONT FRAME COMP. | 1 | 1 | 1 | 1 | |
| 2 | 1S3-21190-18 | REAR FRAME COMP. | 1 | 1 | 1 | 1 | |
| 3 | 90149-10034 | SCREW | 4 | 4 | 4 | 4 | |
| 4 | 1S3-21315-10 | STAY, ENGINE 2 | 1 | 1 | 1 | 1 | |
| 5 | 95812-08014 | BOLT, FLANGE | 2 | 2 | 2 | 2 | |
| 6 | 95812-10055 | BOLT, FLANGE | 1 | 1 | 1 | 1 | |
| 7 | 95602-10200 | NUT, U FLANGE | 1 | 1 | 1 | 1 | |
| 8 | 1S3-21316-10 | STAY, ENGINE 3 | 1 | 1 | 1 | 1 | |
| 9 | 1S3-21317-10 | STAY, ENGINE 3 | 1 | 1 | 1 | 1 | |
| 10 | 90105-08142 | BOLT, FLANGE | 4 | 4 | 4 | 4 | |
| 11 | 95812-10110 | BOLT, FLANGE | 1 | 1 | 1 | 1 | |
| 12 | 90185-10011 | NUT, SELF-LOCKING | 1 | 1 | 1 | 1 | |
| 13 | 95812-10090 | BOLT, FLANGE | 1 | 1 | 1 | 1 | |
| 14 | 90185-10011 | NUT, SELF-LOCKING | 1 | 1 | 1 | 1 | |
| 15 | 1S3-21471-00 | PROTECTOR, ENGINE | 1 | 1 | 1 | 1 | |
| 16 | 90109-06198 | BOLT | 4 | 4 | 4 | 4 | |
| 17 | 5TG-22178-00 | TENSIONER | 1 | 1 | 1 | 1 | |
| 18 | 93300-60804 | BEARING | 1 | 1 | 1 | 1 | |
| 19 | 90201-08043 | WASHER, PLATE | 2 | 2 | 2 | 2 | |
| 20 | 90387-08064 | COLLAR | 1 | 1 | 1 | 1 | |
| 21 | 95812-08045 | BOLT, FLANGE | 1 | 1 | 1 | 1 | |
| 22 | 93306-20352 | BEARING | 1 | 1 | 1 | 1 | |
| 23 | 93102-25081 | OIL SEAL | 1 | 1 | 1 | 1 | |
| 24 | 93102-25099 | OIL SEAL | 1 | 1 | 1 | 1 | |
| 25 | 5GT-23872-00 | HOLDER, BEARING | 1 | 1 | 1 | 1 | |
| 26 | 90338-26004 | PLUG | 2 | 2 | 2 | 2 | |
| 27 | 90338-24260 | PLUG | 2 | 2 | 2 | 2 | |

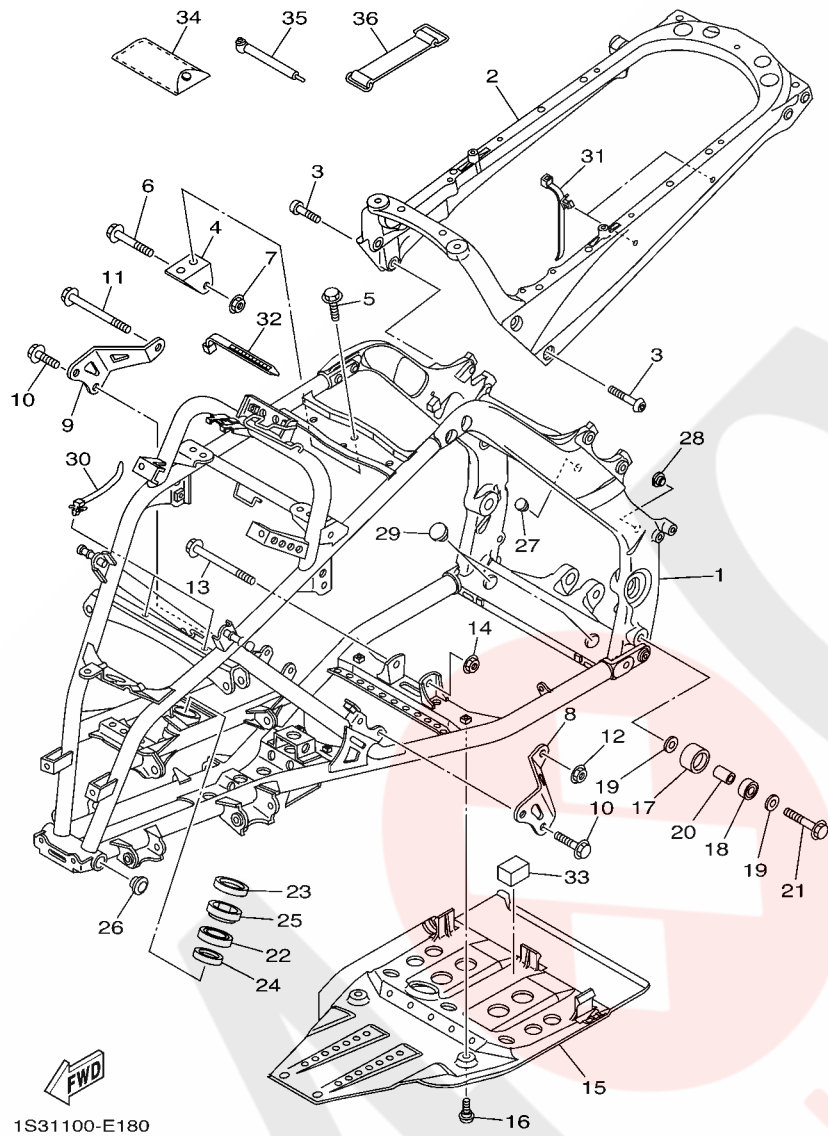


FIG. 18 FRAME

| REF. NO. | PART NO. | DESCRIPTION | USA | CAN | EUR | OCE | REMARKS |
|----------|--------------|-----------------|-----|-----|-----|-----|---------|
| 28 | 90338-20183 | PLUG | 2 | 2 | 2 | 2 | |
| 29 | 90338-23004 | PLUG | 2 | 2 | 2 | 2 | |
| 30 | 90464-12036 | CLAMP | 2 | 2 | 2 | 2 | |
| 31 | 90464-20213 | CLAMP | 3 | 3 | 3 | 3 | |
| 32 | 90464-12045 | CLAMP | 1 | 1 | 1 | 1 | |
| 33 | 1S3-2140A-00 | DAMPER, STOPPER | 1 | 1 | 1 | 1 | |
| 34 | 5TG-28100-10 | TOOL KIT | 1 | 1 | 1 | 1 | |
| 35 | 1NV-2811A-01 | GAUGE, AIR | 1 | 1 | 1 | 1 | |
| 36 | 116-82131-00 | BAND, BATTERY | 1 | 1 | 1 | 1 | |

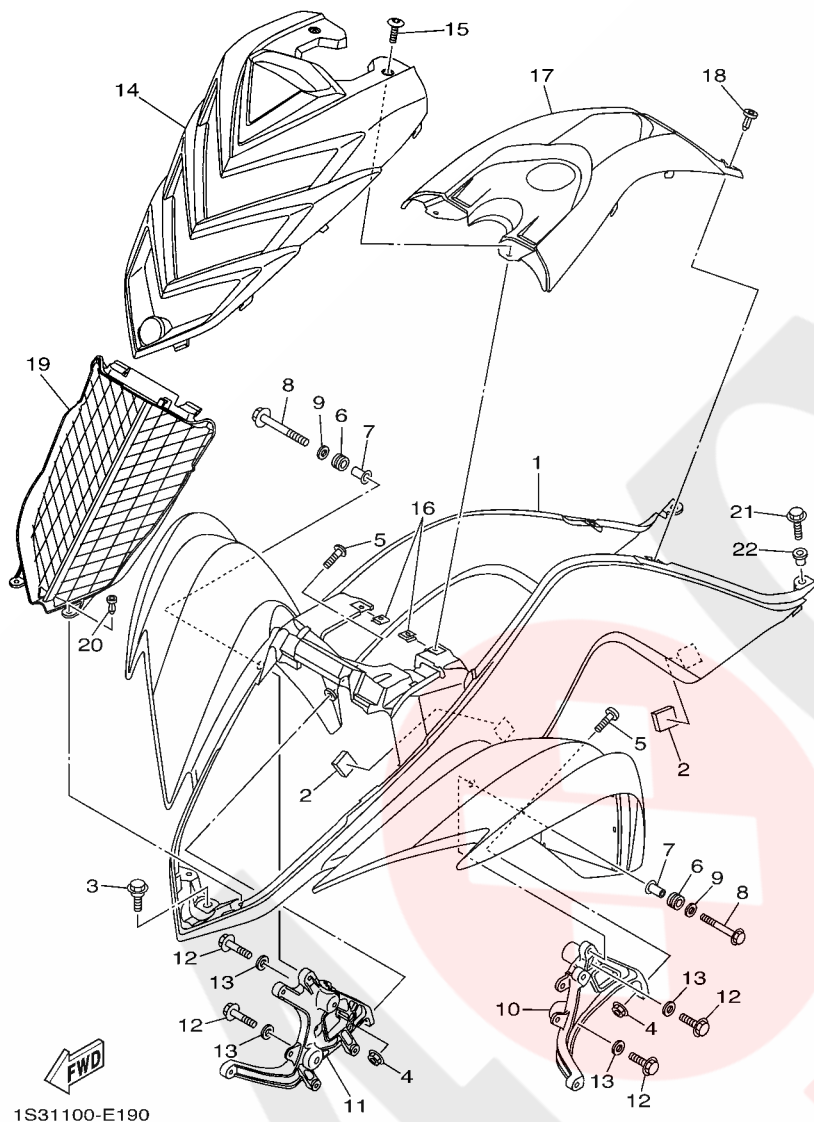
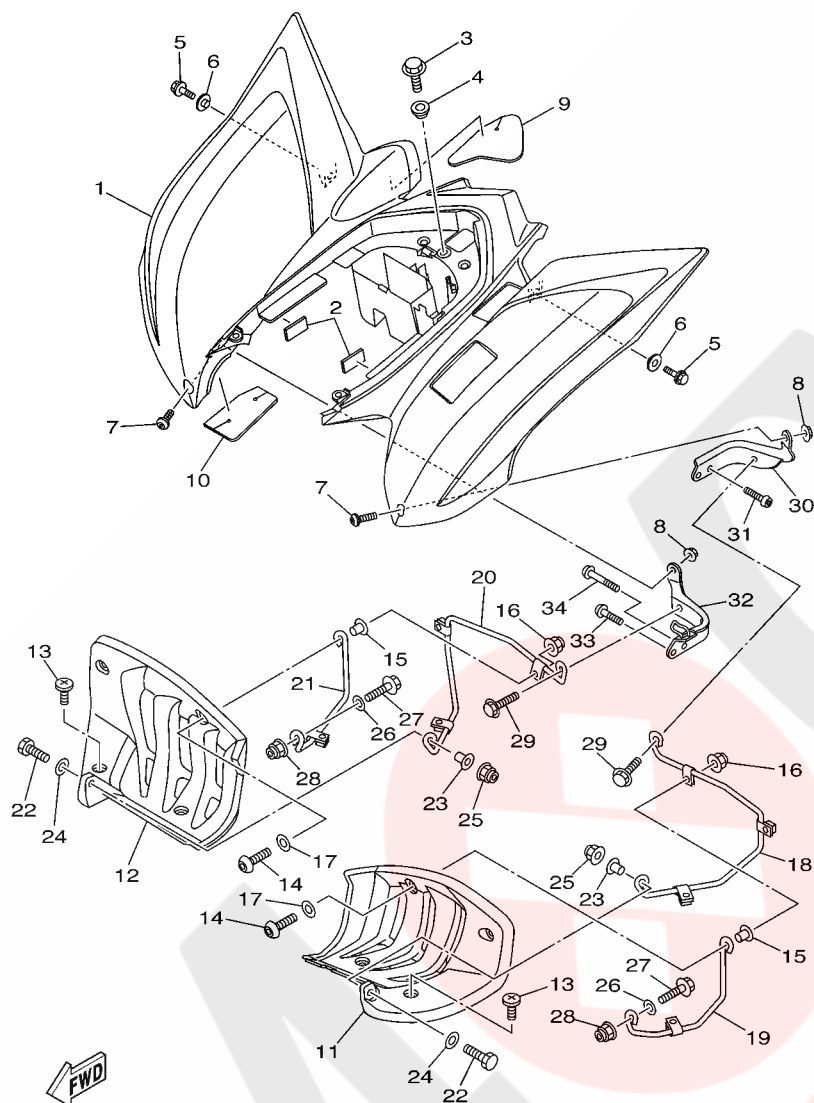


FIG. 19 FRONT FENDER

| REF. NO. | PART NO. | DESCRIPTION | USA | CAN | EUR | OCE | REMARKS |
|----------|--------------|---------------------------|-----|-----|-----|-----|---------|
| 1 | 1S3-W2151-40 | FRONT FENDER COMP. | 1 | | | | |
| | 1S3-W215C-40 | FRONT FENDER COMP.2 | | 1 | | | |
| | 1S3-W215B-40 | FRONT FENDER COMP. 2 | | | 1 | | |
| | 1S3-W215E-40 | FRONT FENDER COMP. | | | | 1 | |
| 2 | 1S3-21541-00 | DAMPER 1 | 4 | 4 | 4 | 4 | |
| 3 | 90109-06172 | BOLT | 1 | 1 | 1 | 1 | |
| 4 | 95602-06200 | NUT, SELF-LOCKING | 2 | 2 | 2 | 2 | |
| 5 | 90110-06202 | BOLT, HEXAGON SOCKET HEAD | 2 | 2 | 2 | 2 | |
| 6 | 90480-14102 | GROMMET | 2 | 2 | 2 | 2 | |
| 7 | 90387-06136 | COLLAR | 2 | 2 | 2 | 2 | |
| 8 | 95812-06030 | BOLT, FLANGE | 2 | 2 | 2 | 2 | |
| 9 | 90201-06078 | WASHER, PLATE | 2 | 2 | 2 | 2 | |
| 10 | 1S3-21513-00 | STAY, FENDER 1 | 1 | 1 | 1 | 1 | |
| 11 | 1S3-21514-00 | STAY, FENDER 2 | 1 | 1 | 1 | 1 | |
| 12 | 95812-06014 | BOLT, FLANGE | 4 | 4 | 4 | 4 | |
| 13 | 90201-06089 | WASHER, PLATE | 4 | 4 | 4 | 4 | |
| 14 | 1S3-21556-F0 | FENDER, FRONT 2 | 1 | 1 | 1 | 1 | |
| 15 | 90149-05299 | SCREW | 2 | 2 | 2 | 2 | |
| 16 | 90183-05008 | NUT, SPRING | 2 | 2 | 2 | 2 | |
| 17 | 1S3-2171A-D0 | COVER, TOP | 1 | 1 | 1 | 1 | |
| 18 | 90269-06002 | RIVET | 2 | 2 | 2 | 2 | |
| 19 | 1S3-12467-00 | COVER, RADIATOR | 1 | 1 | 1 | 1 | |
| 20 | 90269-06002 | RIVET | 2 | 2 | 2 | 2 | |
| 21 | 90105-06084 | BOLT, FLANGE | 2 | 2 | 2 | 2 | |
| 22 | 90387-06146 | COLLAR | 2 | 2 | 2 | 2 | |

FIG. 20 REAR FENDER



1S31100-E200

| REF. NO. | PART NO. | DESCRIPTION | USA | CAN | EUR | OCE | REMARKS |
|----------|--------------|-------------------------|-----|-----|-----|-----|---------|
| 1 | 1S3-W2161-40 | REAR FENDER COMP. | 1 | | | 1 | |
| | 1S3-W216C-40 | REAR FENDER COMP.2 | | 1 | | | |
| | 1S3-W216B-40 | REAR FENDER COMP.2 | | | 1 | | |
| 2 | 1S3-2140A-00 | DAMPER, STOPPER | 2 | 2 | 2 | 2 | |
| 3 | 90105-06084 | BOLT, FLANGE | 1 | 1 | 1 | 1 | |
| 4 | 90387-06153 | COLLAR | 1 | 1 | 1 | 1 | |
| 5 | 95812-06014 | BOLT, FLANGE | 2 | 2 | 2 | 2 | |
| 6 | 90387-06153 | COLLAR | 2 | 2 | 2 | 2 | |
| 7 | 90111-06038 | BOLT,HEX. SOCKET BUTTON | 2 | 2 | 2 | 2 | |
| 8 | 95602-06200 | NUT, SELF-LOCKING | 2 | 2 | 2 | 2 | |
| 9 | 1S3-2163A-00 | COVER, REAR FENDER 1 | 1 | 1 | 1 | 1 | |
| 10 | 1S3-2163E-00 | COVER, REAR FENDER 2 | 1 | 1 | 1 | 1 | |
| 11 | 5TG-21621-00 | FLAP | 1 | 1 | 1 | 1 | |
| 12 | 5TG-21691-00 | FLAP | 1 | 1 | 1 | 1 | |
| 13 | 90154-05013 | SCREW, BINDING | 6 | 6 | 6 | 6 | |
| 14 | 92012-06025 | BOLT, BUTTON HEAD | 2 | 2 | 2 | 2 | |
| 15 | 90560-06201 | SPACER | 2 | 2 | 2 | 2 | |
| 16 | 95602-06200 | NUT, SELF-LOCKING | 2 | 2 | 2 | 2 | |
| 17 | 90201-06076 | WASHER, PLATE | 2 | 2 | 2 | 2 | |
| 18 | 1S3-2164F-10 | STAY 1 | 1 | 1 | 1 | 1 | |
| 19 | 1S3-2164H-10 | STAY 3 | 1 | 1 | 1 | 1 | |
| 20 | 5TG-2164G-20 | STAY 2 | 1 | 1 | 1 | 1 | |
| 21 | 1S3-2164J-10 | STAY 4 | 1 | 1 | 1 | 1 | |
| 22 | 97022-06025 | BOLT | 2 | 2 | 2 | 2 | |
| 23 | 90387-06204 | COLLAR | 2 | 2 | 2 | 2 | |
| 24 | 90201-06093 | WASHER, PLATE | 2 | 2 | 2 | 2 | |
| 25 | 95602-06200 | NUT, SELF-LOCKING | 2 | 2 | 2 | 2 | |

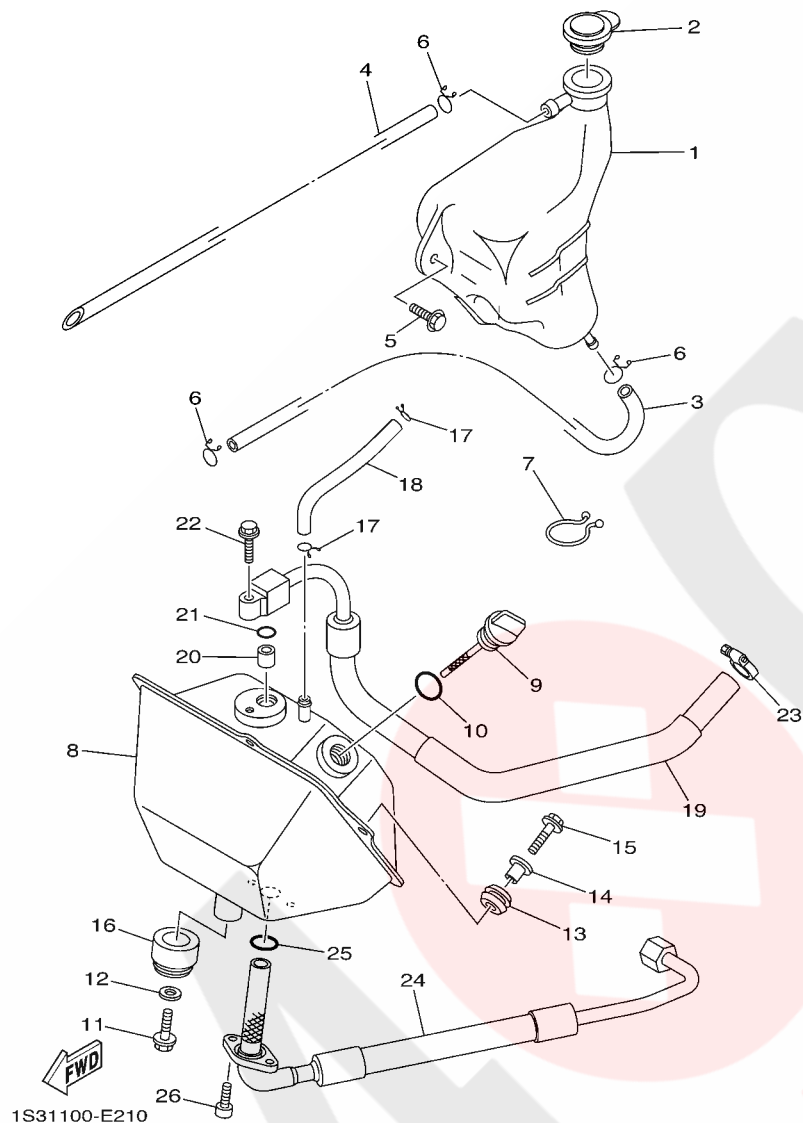


FIG. 21 OIL TANK

| REF. NO. | PART NO. | DESCRIPTION | USA | CAN | EUR | OCE | REMARKS |
|----------|--------------|-------------------|-----|-----|-----|-----|---------|
| 1 | 5KM-21871-00 | TANK, RECOVERY | 1 | 1 | 1 | 1 | |
| 2 | 1S3-21875-00 | CAP | 1 | 1 | 1 | 1 | |
| 3 | 90445-09M30 | HOSE (L630) | 1 | 1 | 1 | 1 | |
| 4 | 90445-09777 | HOSE (L300) | 1 | 1 | 1 | 1 | |
| 5 | 90119-06152 | BOLT, WITH WASHER | 2 | 2 | 2 | 2 | |
| 6 | 90467-08003 | CLIP | 3 | 3 | 3 | 3 | |
| 7 | 90464-23041 | CLAMP | 2 | 2 | 2 | 2 | |
| 8 | 1S3-21750-00 | OIL TANK ASSY | 1 | 1 | 1 | 1 | |
| 9 | 5LP-21761-01 | GAUGE, LEVEL | 1 | 1 | 1 | 1 | |
| 10 | 93210-21190 | O-RING | 1 | 1 | 1 | 1 | |
| 11 | 95802-08016 | BOLT, FLANGE | 1 | 1 | 1 | 1 | |
| 12 | 90201-082A6 | WASHER, PLATE | 1 | 1 | 1 | 1 | |
| 13 | 90480-13459 | GROMMET | 2 | 2 | 2 | 2 | |
| 14 | 90387-06205 | COLLAR | 2 | 2 | 2 | 2 | |
| 15 | 95822-06020 | BOLT, FLANGE | 2 | 2 | 2 | 2 | |
| 16 | 90480-24004 | GROMMET | 1 | 1 | 1 | 1 | |
| 17 | 90467-10008 | CLIP | 2 | 2 | 2 | 2 | |
| 18 | 90445-11034 | HOSE (L147) | 1 | 1 | 1 | 1 | |
| 19 | 1S3-13465-00 | HOSE, OIL 2 | 1 | 1 | 1 | 1 | |
| 20 | 99530-10114 | PIN, DOWEL | 1 | 1 | 1 | 1 | |
| 21 | 93210-10197 | O-RING | 1 | 1 | 1 | 1 | |
| 22 | 95022-06025 | BOLT, FLANGE | 1 | 1 | 1 | 1 | |
| 23 | 90450-22017 | HOSE CLAMP ASSY | 1 | 1 | 1 | 1 | |
| 24 | 1S3-13464-10 | HOSE, OIL 1 | 1 | 1 | 1 | 1 | |
| 25 | 93210-16629 | O-RING | 1 | 1 | 1 | 1 | |
| 26 | 91312-06016 | BOLT | 2 | 2 | 2 | 2 | |

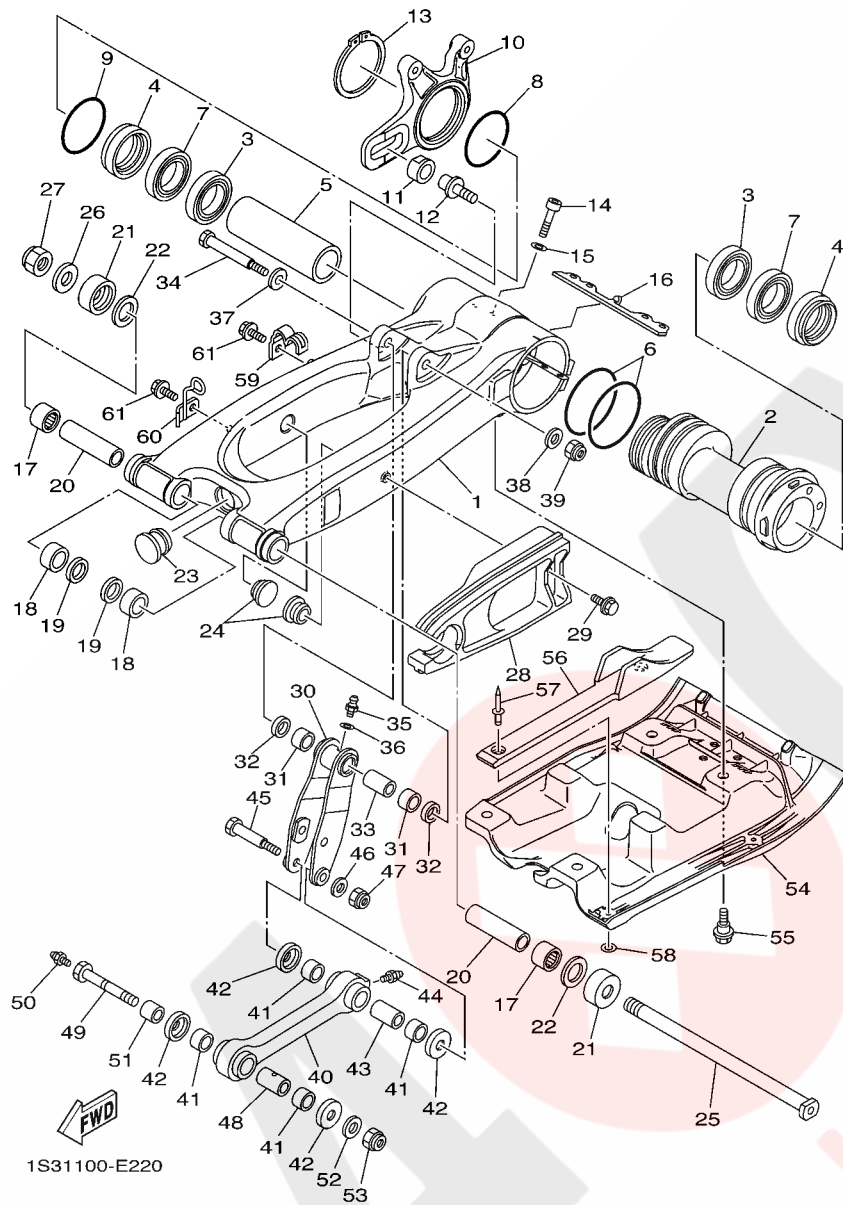


FIG. 22 REAR ARM

| REF. NO. | PART NO. | DESCRIPTION | USA | CAN | EUR | OCE | REMARKS |
|----------|--------------|---------------------------|-----|-----|-----|-----|---------|
| 1 | 1S3-22110-00 | REAR ARM COMP. | 1 | 1 | 1 | 1 | |
| 2 | 1S3-25311-00 | HUB, REAR | 1 | 1 | 1 | 1 | |
| 3 | 93306-90804 | BEARING | 2 | 2 | 2 | 2 | |
| 4 | 93106-46003 | OIL SEAL | 2 | 2 | 2 | 2 | |
| 5 | 1S3-25317-00 | SPACER, BEARING | 1 | 1 | 1 | 1 | |
| 6 | 1S3-23147-01 | O-RING | 2 | 2 | 2 | 2 | |
| 7 | 93306-90805 | BEARING | 2 | 2 | 2 | 2 | |
| 8 | 93210-66001 | O-RING | 1 | 1 | 1 | 1 | |
| 9 | 93210-71001 | O-RING | 1 | 1 | 1 | 1 | |
| 10 | 1S3-25721-00 | BRACKET, CALIPER | 1 | 1 | 1 | 1 | |
| 11 | 90387-16014 | COLLAR | 1 | 1 | 1 | 1 | |
| 12 | 90110-12001 | BOLT, HEXAGON SOCKET HEAD | 1 | 1 | 1 | 1 | |
| 13 | 93410-67085 | CIRCLIP | 1 | 1 | 1 | 1 | |
| 14 | 91314-08040 | BOLT | 4 | 4 | 4 | 4 | |
| 15 | 92903-08600 | WASHER, PLATE | 4 | 4 | 4 | 4 | |
| 16 | 1S3-22475-00 | SEAL, DUST | 1 | 1 | 1 | 1 | |
| 17 | 93317-22237 | BEARING | 2 | 2 | 2 | 2 | |
| 18 | 90380-22111 | BUSH, SOLID | 2 | 2 | 2 | 2 | |
| 19 | 93106-22019 | OIL SEAL (DC 22-28-8) | 2 | 2 | 2 | 2 | |
| 20 | 1S3-22184-00 | BUSH | 2 | 2 | 2 | 2 | |
| 21 | 4X7-22129-00 | COVER, THRUST 2 | 2 | 2 | 2 | 2 | |
| 22 | 3YF-22149-00 | WASHER | 2 | 2 | 2 | 2 | |
| 23 | 1S3-22417-00 | PLUG | 1 | 1 | 1 | 1 | |
| 24 | 90338-23004 | PLUG | 2 | 2 | 2 | 2 | |
| 25 | 1S3-22141-00 | SHAFT, PIVOT | 1 | 1 | 1 | 1 | |
| 26 | 90201-16018 | WASHER, PLATE | 1 | 1 | 1 | 1 | |
| 27 | 90185-16002 | NUT, SELF-LOCKING | 1 | 1 | 1 | 1 | |

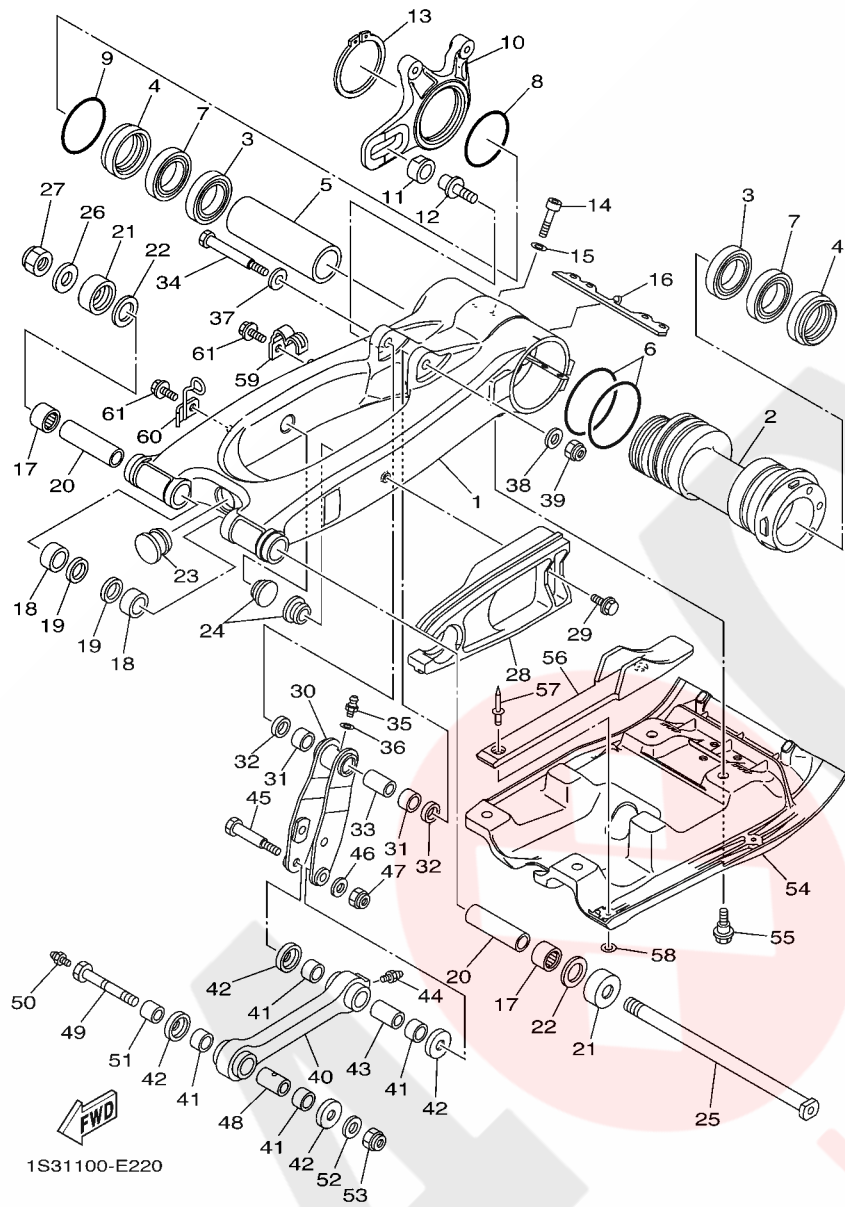


FIG. 22 REAR ARM

| REF. NO. | PART NO. | DESCRIPTION | USA | CAN | EUR | OCE | REMARKS |
|----------|--------------|-------------------|-----|-----|-----|-----|---------|
| 28 | 1S3-22151-00 | SEAL, GUARD | 1 | 1 | 1 | 1 | |
| 29 | 90109-06172 | BOLT | 1 | 1 | 1 | 1 | |
| 30 | 1S3-2217A-00 | ARM, RELAY | 1 | 1 | 1 | 1 | |
| 31 | 90383-20033 | BUSH, FORMED | 2 | 2 | 2 | 2 | |
| 32 | 93109-20076 | OIL SEAL | 2 | 2 | 2 | 2 | |
| 33 | 90387-12021 | COLLAR | 1 | 1 | 1 | 1 | |
| 34 | 90109-10018 | BOLT | 1 | 1 | 1 | 1 | |
| 35 | 93700-06004 | NIPPLE, GREASE | 1 | 1 | 1 | 1 | |
| 36 | 90201-063F3 | WASHER, PLATE | 1 | 1 | 1 | 1 | |
| 37 | 90201-12030 | WASHER, PLATE | 1 | 1 | 1 | 1 | |
| 38 | 90201-10034 | WASHER, PLATE | 1 | 1 | 1 | 1 | |
| 39 | 90185-10012 | NUT, SELF-LOCKING | 1 | 1 | 1 | 1 | |
| 40 | 1S3-2217F-00 | ROD, CONNECTING 1 | 1 | 1 | 1 | 1 | |
| 41 | 90383-20032 | BUSH, FORMED | 4 | 4 | 4 | 4 | |
| 42 | 5YT-22129-00 | COVER, THRUST 2 | 4 | 4 | 4 | 4 | |
| 43 | 90387-125K2 | COLLAR | 1 | 1 | 1 | 1 | |
| 44 | 93700-06004 | NIPPLE, GREASE | 1 | 1 | 1 | 1 | |
| 45 | 90109-10020 | BOLT | 1 | 1 | 1 | 1 | |
| 46 | 90201-10035 | WASHER, PLATE | 1 | 1 | 1 | 1 | |
| 47 | 90185-10012 | NUT, SELF-LOCKING | 1 | 1 | 1 | 1 | |
| 48 | 90387-12010 | COLLAR | 1 | 1 | 1 | 1 | |
| 49 | 90109-12009 | BOLT | 1 | 1 | 1 | 1 | |
| 50 | 93700-06004 | NIPPLE, GREASE | 1 | 1 | 1 | 1 | |
| 51 | 90387-12028 | COLLAR | 1 | 1 | 1 | 1 | |
| 52 | 90201-12032 | WASHER, PLATE | 1 | 1 | 1 | 1 | |
| 53 | 90185-12007 | NUT, SELF-LOCKING | 1 | 1 | 1 | 1 | |
| 54 | 1S3-2219X-00 | COVER | 1 | 1 | 1 | 1 | |

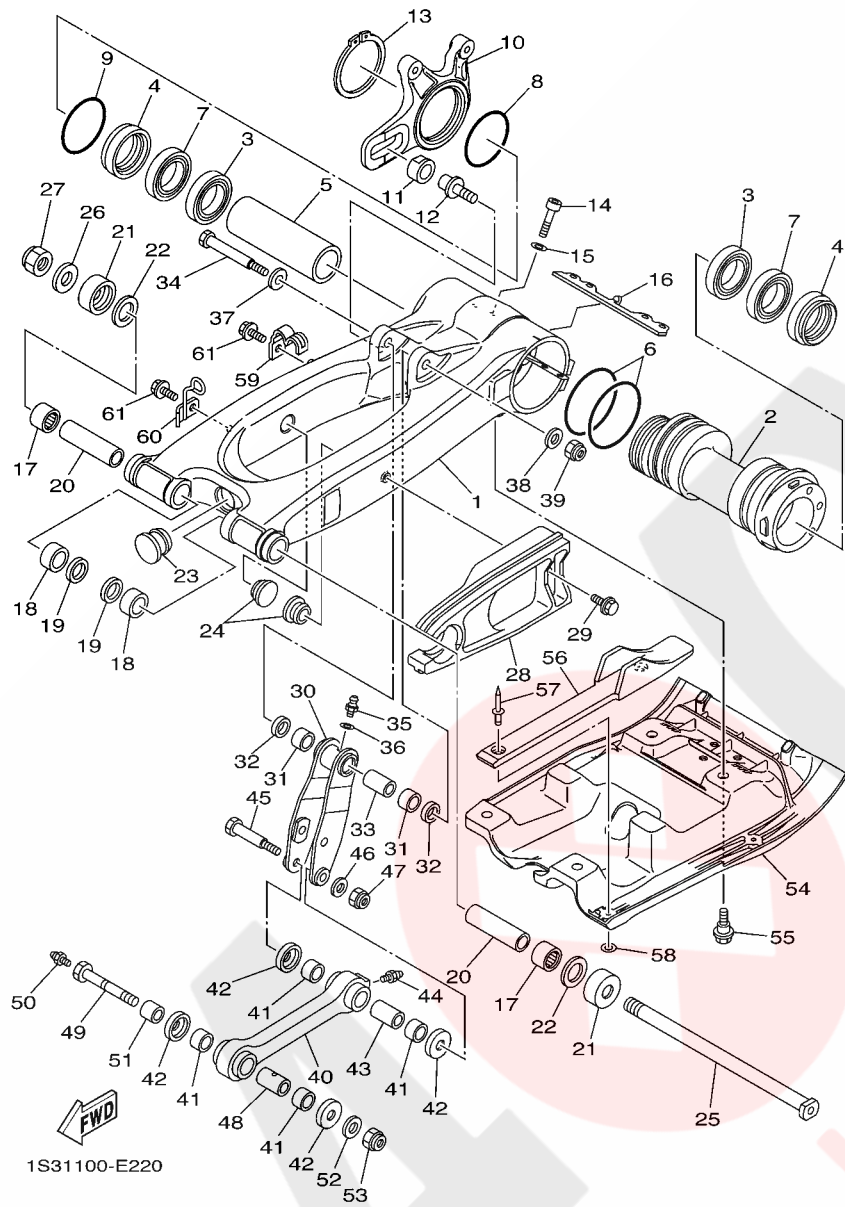
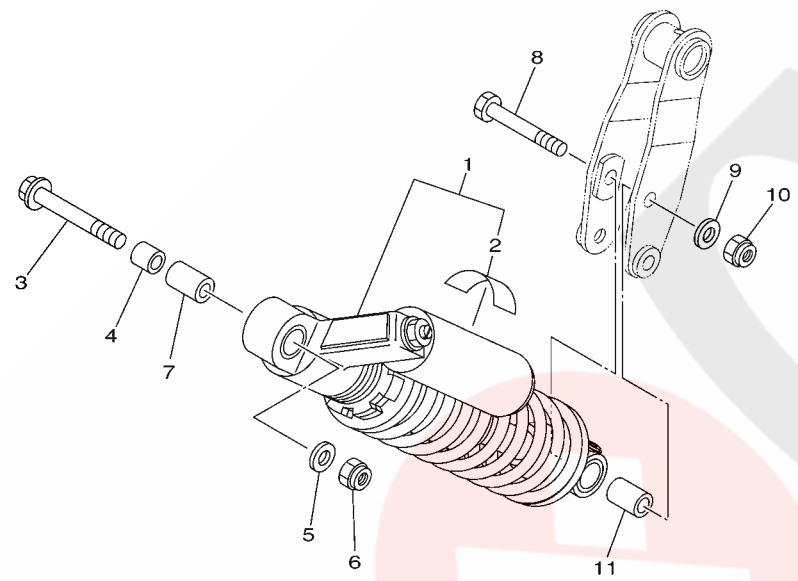


FIG. 22 REAR ARM

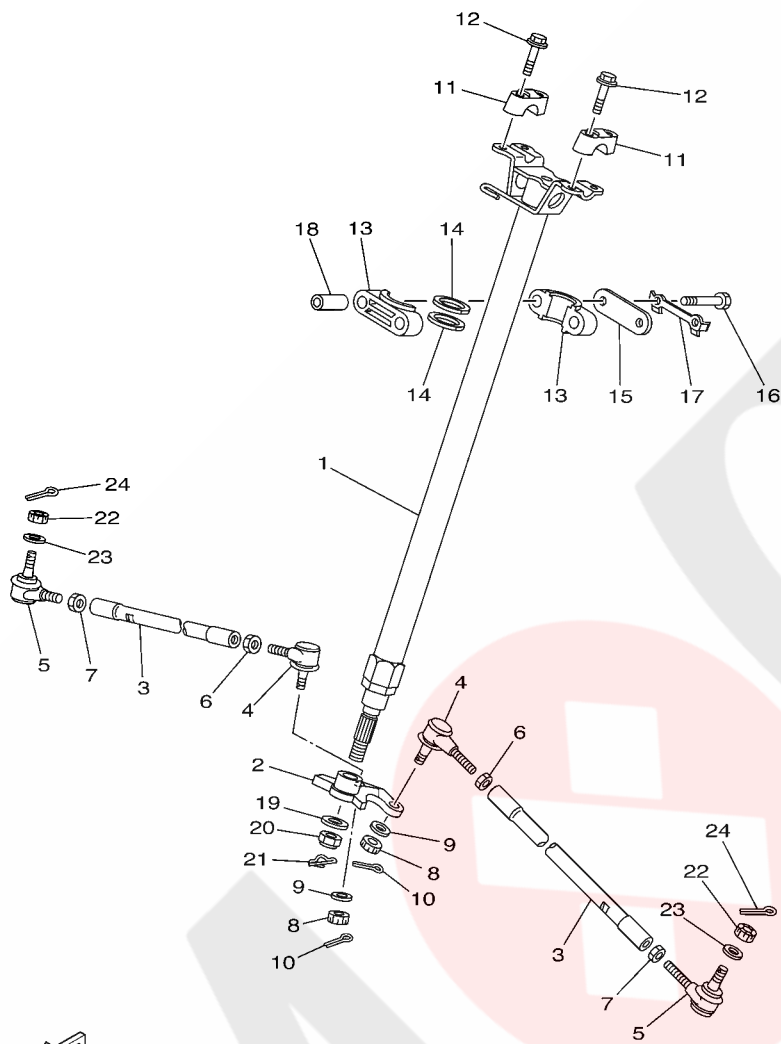
| REF. NO. | PART NO. | DESCRIPTION | USA | CAN | EUR | OCE | REMARKS |
|----------|--------------|--------------------|-----|-----|-----|-----|---------|
| 55 | 90109-06199 | BOLT | 4 | 4 | 4 | 4 | |
| 56 | 1S3-22153-00 | GUARD, CHAIN | 1 | 1 | 1 | 1 | |
| 57 | 90267-47187 | RIVET, BLIND | 2 | 2 | 2 | 2 | |
| 58 | 90201-04027 | WASHER, PLATE | 2 | 2 | 2 | 2 | |
| 59 | 1S3-25886-00 | HOLDER, BRAKE HOSE | 1 | 1 | 1 | 1 | |
| 60 | 1S3-23317-00 | HOLDER, CABLE | 1 | 1 | 1 | 1 | |
| 61 | 95022-06012 | BOLT, FLANGE | 2 | 2 | 2 | 2 | |

FIG. 23 REAR SUSPENSION



| REF. NO. | PART NO. | DESCRIPTION | USA | CAN | EUR | OCE | REMARKS |
|----------|--------------|---------------------------|-----|-----|-----|-----|---------|
| 1 | 1S3-22210-C0 | SHOCK ABSORBER ASSY, REAR | 1 | | | | |
| | 1S3-22210-D0 | SHOCK ABSORBER ASSY, REAR | | 1 | | | |
| | 1S3-22210-E0 | SHOCK ABSORBER ASSY, REAR | | | 1 | 1 | |
| 2 | 4AA-22259-80 | .LABEL, WARNING | 1 | | | | |
| | 4AA-22259-70 | .LABEL, WARNING | | 1 | | | |
| | 4AA-22259-40 | .LABEL, WARNING | | | 1 | 1 | |
| 3 | 90105-12038 | BOLT, FLANGE | 1 | 1 | 1 | 1 | |
| 4 | 90387-12028 | COLLAR | 1 | 1 | 1 | 1 | |
| 5 | 90201-12032 | WASHER, PLATE | 1 | 1 | 1 | 1 | |
| 6 | 90185-12007 | NUT, SELF-LOCKING | 1 | 1 | 1 | 1 | |
| 7 | 90387-12020 | COLLAR | 1 | 1 | 1 | 1 | |
| 8 | 90109-10019 | BOLT | 1 | 1 | 1 | 1 | |
| 9 | 90201-10036 | WASHER, PLATE | 1 | 1 | 1 | 1 | |
| 10 | 90185-10012 | NUT, SELF-LOCKING | 1 | 1 | 1 | 1 | |
| 11 | 90387-127W0 | COLLAR | 1 | 1 | 1 | 1 | |


1S31100-E230



1S31100-E240

FIG. 24 STEERING

| REF. NO. | PART NO. | DESCRIPTION | USA | CAN | EUR | OCE | REMARKS |
|----------|--------------|-------------------------|-----|-----|-----|-----|--------------|
| 1 | 1S3-23813-10 | COLUMN, STEERING 2 | 1 | 1 | 1 | 1 | |
| 2 | 5TG-23816-10 | ARM, PITMAN | 1 | 1 | 1 | 1 | |
| 3 | 1S3-23831-20 | ROD, TIE | 2 | 2 | 2 | 2 | |
| 4 | 1S3-23841-20 | JOINT, UNIVERSAL 1 | 2 | 2 | 2 | 2 | |
| 5 | 1S3-23845-20 | JOINT, UNIVERSAL 2 | 2 | 2 | 2 | 2 | |
| 6 | 90170-12055 | NUT | 2 | 2 | 2 | 2 | |
| 7 | 90170-12054 | NUT | 2 | 2 | 2 | 2 | (RH. THREAD) |
| 8 | 90171-10001 | NUT, CASTLE | 2 | 2 | 2 | 2 | |
| 9 | 90209-10229 | WASHER | 2 | 2 | 2 | 2 | |
| 10 | 91402-20020 | PIN, COTTER | 2 | 2 | 2 | 2 | |
| 11 | 8K1-23814-00 | HOLDER, HANDLE | 2 | 2 | 2 | 2 | |
| 12 | 95822-08030 | BOLT, FLANGE | 4 | 4 | 4 | 4 | |
| 13 | 1UY-23812-00 | PLANE BEARING, STEERING | 2 | 2 | 2 | 2 | |
| 14 | 93112-31011 | OIL SEAL | 2 | 2 | 2 | 2 | |
| 15 | 1UY-23868-01 | BRACKET, STEERING LOWER | 1 | 1 | 1 | 1 | |
| 16 | 97022-08060 | BOLT | 2 | 2 | 2 | 2 | |
| 17 | 1UY-23894-01 | WASHER, LOCK 1 | 1 | 1 | 1 | 1 | |
| 18 | 90387-090R0 | COLLAR | 2 | 2 | 2 | 2 | |
| 19 | 90201-14021 | WASHER, PLATE | 1 | 1 | 1 | 1 | |
| 20 | 90185-14009 | NUT, SELF-LOCKING | 1 | 1 | 1 | 1 | |
| 21 | 90468-16191 | CLIP | 1 | 1 | 1 | 1 | |
| 22 | 90171-10001 | NUT, CASTLE | 2 | 2 | 2 | 2 | |
| 23 | 90209-10229 | WASHER | 2 | 2 | 2 | 2 | |
| 24 | 91402-20020 | PIN, COTTER | 2 | 2 | 2 | 2 | |

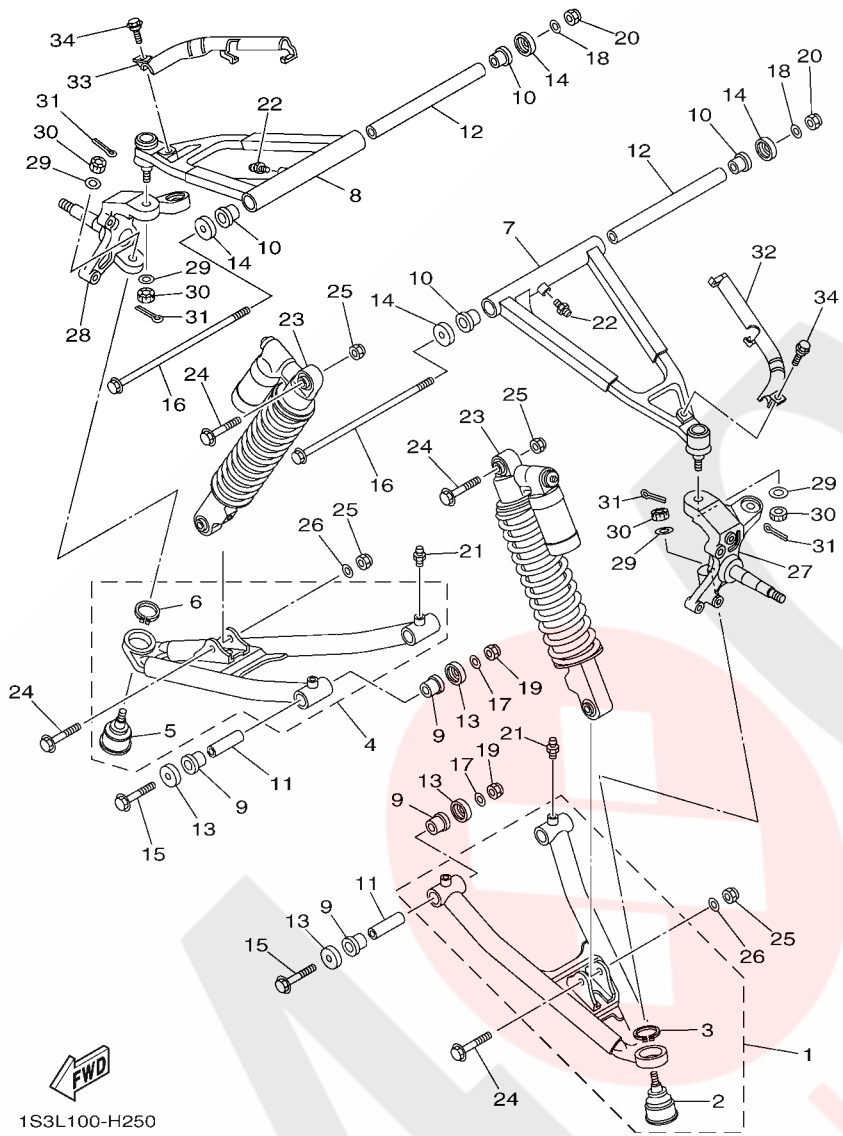
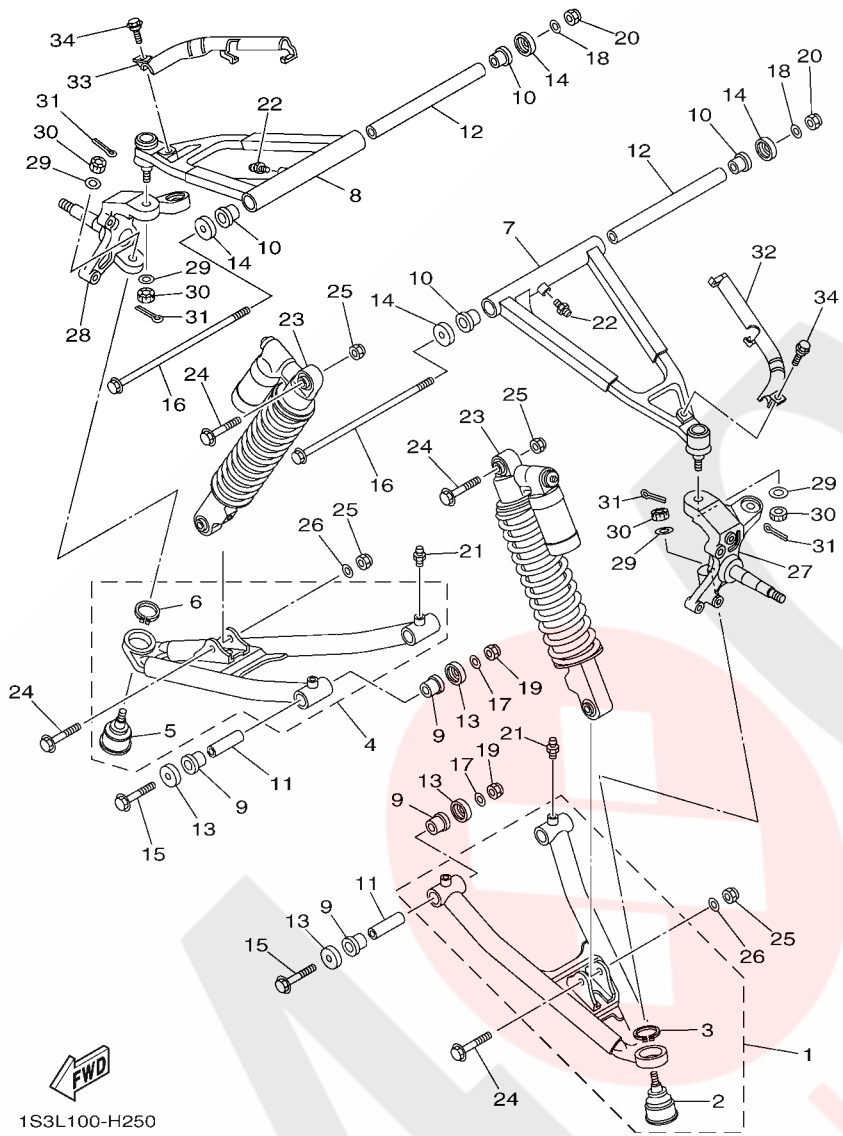


FIG. 25 FRONT SUSPENSION & WHEEL

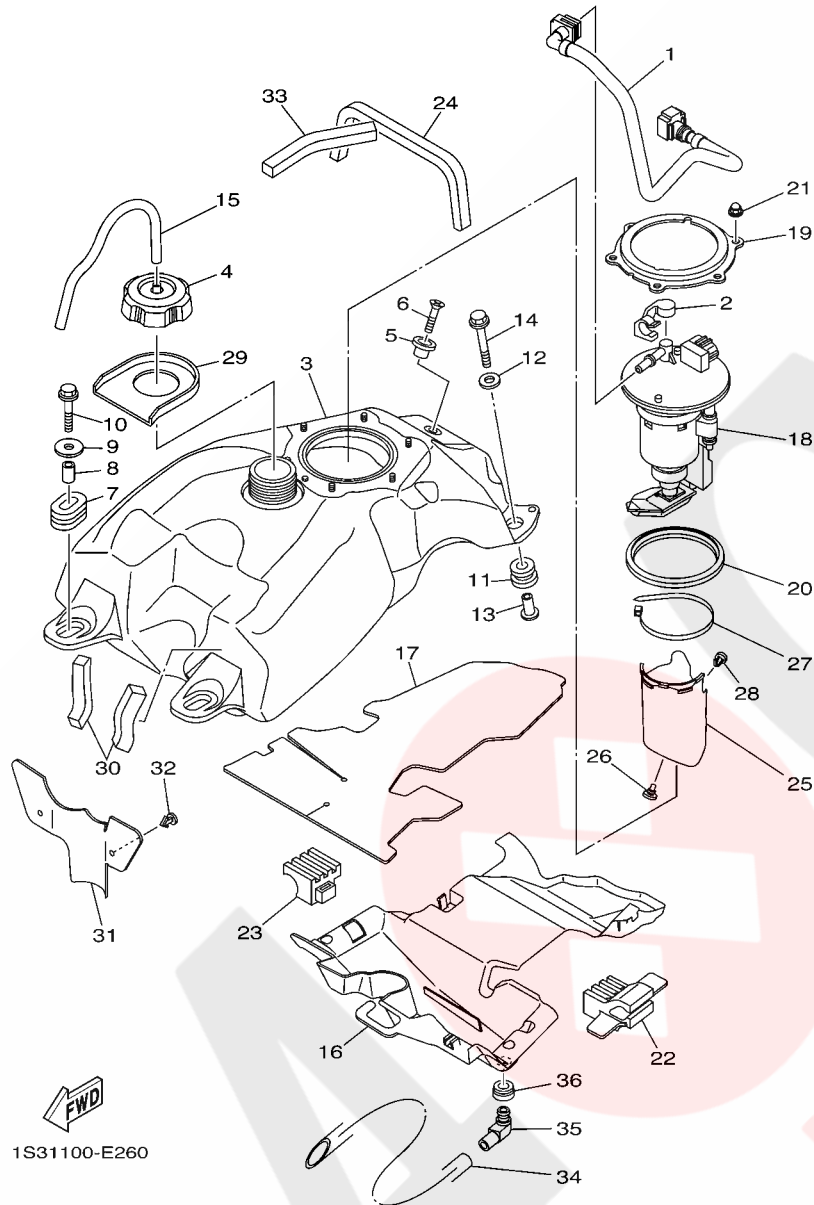
| REF. NO. | PART NO. | DESCRIPTION | USA | CAN | EUR | OCE | REMARKS |
|----------|--------------|-------------------------------|-----|-----|-----|-----|---------|
| 1 | 5TG-23570-30 | FRONT LOWER ARM COMP. (LEFT) | 1 | 1 | 1 | 1 | |
| 2 | 5LP-23579-00 | .BALL JOINT 2 | 1 | 1 | 1 | 1 | |
| 3 | 99009-30400 | .CIRCLIP | 1 | 1 | 1 | 1 | |
| 4 | 5TG-23580-30 | FRONT LOWER ARM COMP. (RIGHT) | 1 | 1 | 1 | 1 | |
| 5 | 5LP-23579-00 | .BALL JOINT 2 | 1 | 1 | 1 | 1 | |
| 6 | 99009-30400 | .CIRCLIP | 1 | 1 | 1 | 1 | |
| 7 | 5TG-23540-30 | FRONT UPPER ARM COMP. (LEFT) | 1 | 1 | 1 | 1 | |
| 8 | 5TG-23550-30 | FRONT UPPER ARM COMP. (RIGHT) | 1 | 1 | 1 | 1 | |
| 9 | 90381-15088 | BUSH, SOLID | 8 | 8 | 8 | 8 | |
| 10 | 90381-15088 | BUSH, SOLID | 4 | 4 | 4 | 4 | |
| 11 | 90387-101R3 | COLLAR | 4 | 4 | 4 | 4 | |
| 12 | 90387-100Y6 | COLLAR | 2 | 2 | 2 | 2 | |
| 13 | 5YT-23517-00 | COVER, THRUST 1 | 8 | 8 | 8 | 8 | |
| 14 | 5YT-23517-00 | COVER, THRUST 1 | 4 | 4 | 4 | 4 | |
| 15 | 90105-10135 | BOLT, FLANGE | 4 | 4 | 4 | 4 | |
| 16 | 90105-10132 | BOLT, FLANGE | 2 | 2 | 2 | 2 | |
| 17 | 90201-10037 | WASHER, PLATE | 4 | 4 | 4 | 4 | |
| 18 | 90201-10037 | WASHER, PLATE | 2 | 2 | 2 | 2 | |
| 19 | 90185-10012 | NUT, SELF-LOCKING | 4 | 4 | 4 | 4 | |
| 20 | 90185-10012 | NUT, SELF-LOCKING | 2 | 2 | 2 | 2 | |
| 21 | 93700-06004 | NIPPLE, GREASE | 4 | 4 | 4 | 4 | |
| 22 | 93700-06004 | NIPPLE, GREASE | 2 | 2 | 2 | 2 | |
| 23 | 1S3-23350-A0 | SHOCK ABSORBER ASSY | 2 | | | | |
| | 1S3-23350-B0 | SHOCK ABSORBER ASSY | | 2 | | | |
| | 1S3-23350-C0 | SHOCK ABSORBER ASSY | | | 2 | 2 | |
| 24 | 90105-10131 | BOLT, FLANGE | 4 | 4 | 4 | 4 | |
| 25 | 90185-10012 | NUT, SELF-LOCKING | 4 | 4 | 4 | 4 | |



1S3L100-H250

FIG. 25 FRONT SUSPENSION & WHEEL

| REF. NO. | PART NO. | DESCRIPTION | USA | CAN | EUR | OCE | REMARKS |
|----------|--------------|-------------------------------|-----|-----|-----|-----|---------|
| 26 | 90201-10035 | WASHER, PLATE | 2 | 2 | 2 | 2 | |
| 27 | 1S3-23501-00 | STEERING KNUCKLE ASSY (LEFT) | 1 | 1 | 1 | 1 | |
| 28 | 1S3-23502-00 | STEERING KNUCKLE ASSY (RIGHT) | 1 | 1 | 1 | 1 | |
| 29 | 90209-10229 | WASHER | 4 | 4 | 4 | 4 | |
| 30 | 90171-10001 | NUT, CASTLE | 4 | 4 | 4 | 4 | |
| 31 | 91402-20020 | PIN, COTTER | 4 | 4 | 4 | 4 | |
| 32 | 5TG-25875-00 | HOLDER, BRAKE HOSE 1 | 1 | 1 | 1 | 1 | |
| 33 | 5TG-25876-00 | HOLDER, BRAKE HOSE 2 | 1 | 1 | 1 | 1 | |
| 34 | 90109-067F4 | BOLT | 2 | 2 | 2 | 2 | |



1S31100-E260

FIG. 26 FUEL TANK

| REF. NO. | PART NO. | DESCRIPTION | USA | CAN | EUR | OCE | REMARKS |
|----------|--------------|------------------------|-----|-----|-----|-----|---------|
| 1 | 1S3-13971-10 | PIPE, FUEL 1 | 1 | 1 | | | |
| | 1S3-13971-00 | PIPE, FUEL 1 | | | 1 | 1 | |
| 2 | 90464-14004 | CLAMP | 1 | 1 | 1 | 1 | |
| 3 | 1S3-24110-20 | FUEL TANK COMP. | 1 | 1 | | | |
| | 1S3-24110-00 | FUEL TANK COMP. | | | 1 | 1 | |
| 4 | 2FJ-24610-00 | CAP ASSY | 1 | 1 | 1 | 1 | |
| 5 | 4EW-2412F-00 | BRACKET, SEAT | 1 | 1 | 1 | 1 | |
| 6 | 98702-06025 | SCREW, FLAT HEAD | 1 | 1 | 1 | 1 | |
| 7 | 90480-01017 | GROMMET | 2 | 2 | 2 | 2 | |
| 8 | 90387-06M17 | COLLAR | 2 | 2 | 2 | 2 | |
| 9 | 90201-06090 | WASHER, PLATE | 2 | 2 | 2 | 2 | |
| 10 | 95802-06035 | BOLT, FLANGE | 2 | 2 | 2 | 2 | |
| 11 | 90480-18005 | GROMMET | 2 | 2 | 2 | 2 | |
| 12 | 90201-06033 | WASHER, PLATE | 2 | 2 | 2 | 2 | |
| 13 | 90387-06098 | COLLAR | 2 | 2 | 2 | 2 | |
| 14 | 95802-06035 | BOLT, FLANGE | 2 | 2 | 2 | 2 | |
| 15 | 90445-083J4 | HOSE (L340) | 1 | 1 | 1 | 1 | |
| 16 | 1S3-2414H-00 | DAMPER, PLATE 1 | 1 | 1 | 1 | 1 | |
| 17 | 1S3-2416F-00 | INSULATOR, FUEL TANK 1 | 1 | 1 | 1 | 1 | |
| 18 | 1S3-13907-02 | FUEL PUMP COMP. | 1 | 1 | 1 | 1 | |
| 19 | 1S3-24491-10 | BRACKET, FUEL PUMP | 1 | 1 | 1 | 1 | |
| 20 | 1S3-24486-00 | O-RING | 1 | 1 | 1 | 1 | |
| 21 | 95302-06800 | NUT, CROWN | 6 | 6 | 6 | 6 | |
| 22 | 1S3-24278-00 | STOPPER 1 | 1 | 1 | 1 | 1 | |
| 23 | 1S3-24279-00 | STOPPER 2 | 1 | 1 | 1 | 1 | |
| 24 | 1S3-24181-00 | DAMPER, LOCATING 1 | 1 | 1 | 1 | 1 | |
| 25 | 1S3-24452-00 | COVER | 1 | 1 | 1 | 1 | |

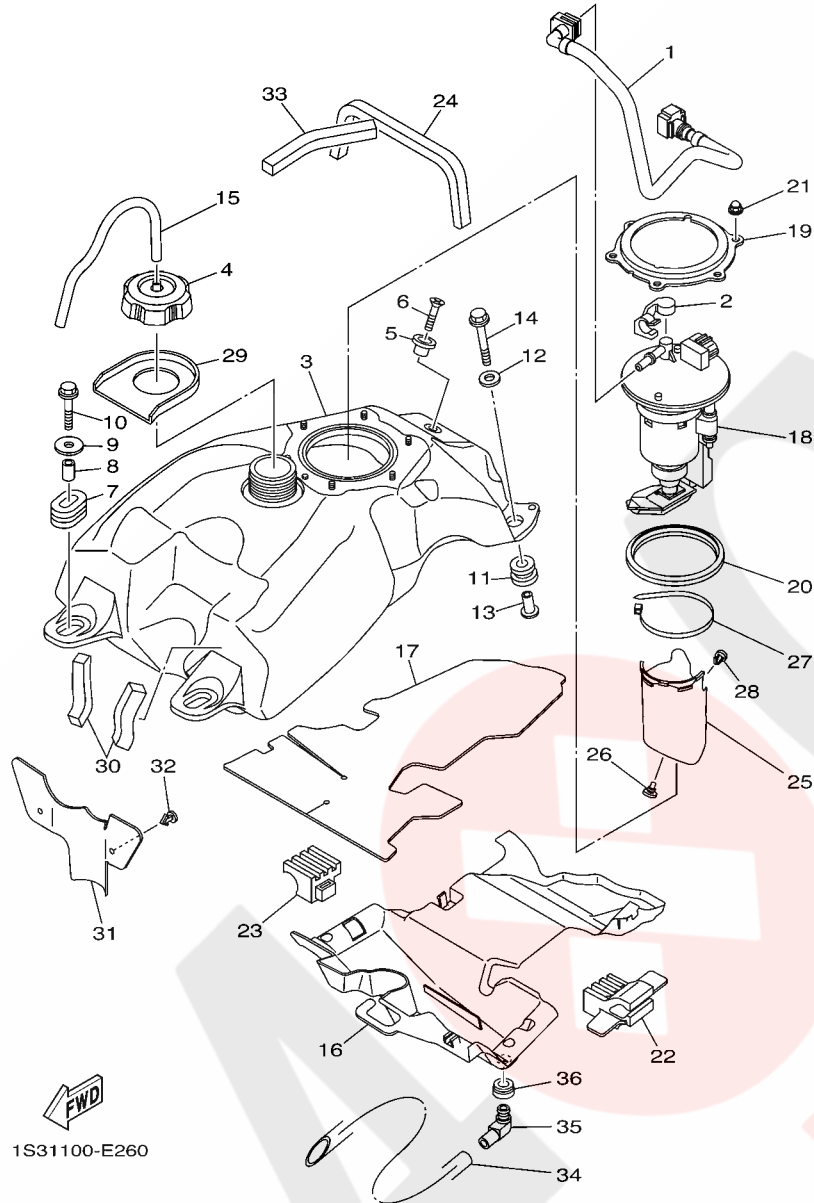
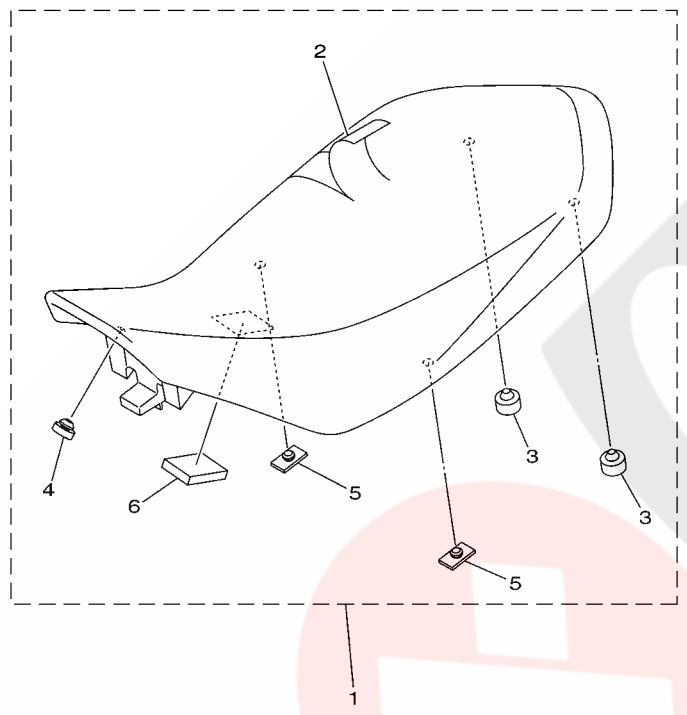


FIG. 26 FUEL TANK

| REF. NO. | PART NO. | DESCRIPTION | USA | CAN | EUR | OCE | REMARKS |
|----------|--------------|--------------------|-----|-----|-----|-----|---------|
| 26 | 90338-05008 | PLUG | 2 | 2 | 2 | 2 | |
| 27 | 90464-66001 | CLAMP | 1 | 1 | 1 | 1 | |
| 28 | 90269-07011 | RIVET | 1 | 1 | 1 | 1 | |
| 29 | 1S3-2414J-00 | DAMPER, PLATE 2 | 1 | 1 | 1 | 1 | |
| 30 | 1S3-24182-00 | DAMPER, LOCATING 2 | 2 | 2 | 2 | 2 | |
| 31 | 1S3-2413X-00 | PLATE | 1 | 1 | 1 | 1 | |
| 32 | 90269-05055 | RIVET | 2 | 2 | 2 | 2 | |
| 33 | 1S3-24183-00 | DAMPER, LOCATING 3 | 1 | 1 | 1 | 1 | |
| 34 | 90445-16007 | HOSE (L400) | 1 | 1 | 1 | 1 | |
| 35 | 31A-14419-00 | PIPE | 1 | 1 | 1 | 1 | |
| 36 | 31A-14435-00 | GROMMET | 1 | 1 | 1 | 1 | |

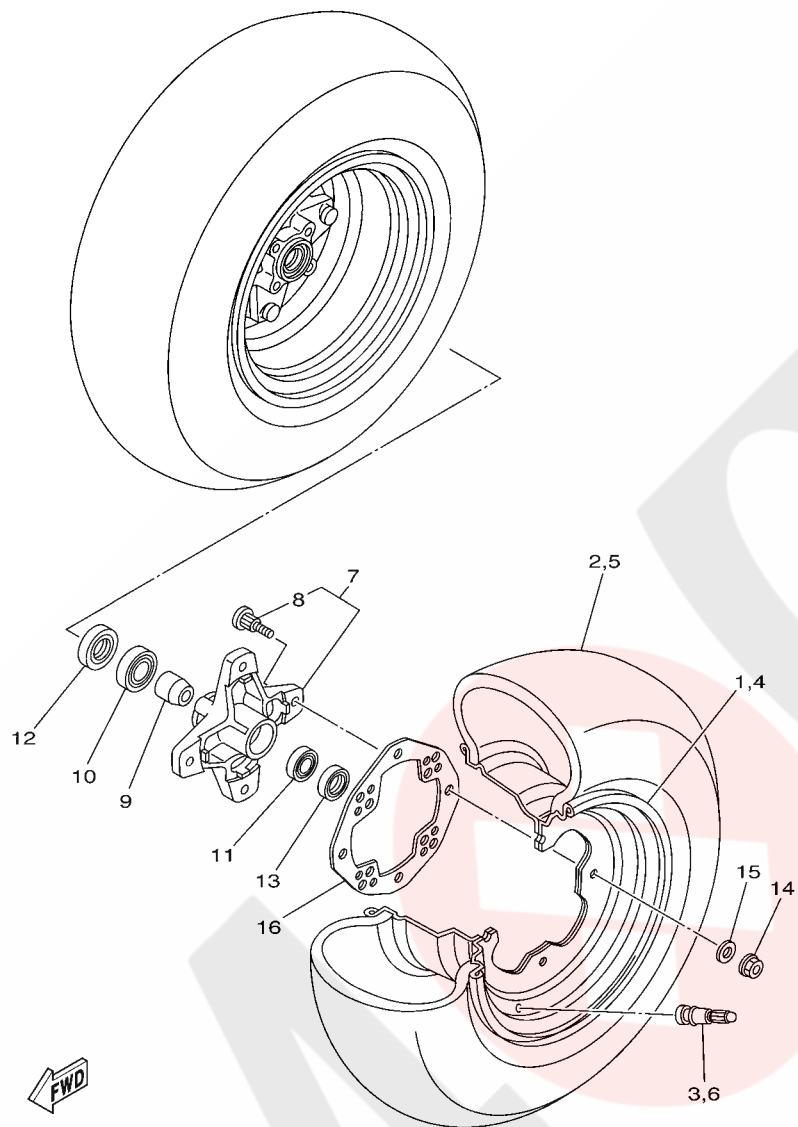
FIG. 27 SEAT



| REF. NO. | PART NO. | DESCRIPTION | USA | CAN | EUR | OCE | REMARKS |
|----------|--------------|----------------------|-----|-----|-----|-----|---------|
| 1 | 1S3-24710-50 | SINGLE SEAT ASSY | 1 | 1 | 1 | 1 | |
| 2 | 1S3-24731-50 | .COVER, SEAT | 1 | 1 | 1 | 1 | |
| 3 | 371-27114-00 | .STOPPER, MAIN STAND | 2 | 2 | 2 | 2 | |
| 4 | 22W-24741-00 | .PAD, SEAT | 1 | 1 | 1 | 1 | |
| 5 | 509-24724-00 | .DAMPER, SEAT | 2 | 2 | 2 | 2 | |
| 6 | 1S3-24723-00 | .DAMPER, SEAT | 1 | 1 | 1 | 1 | |

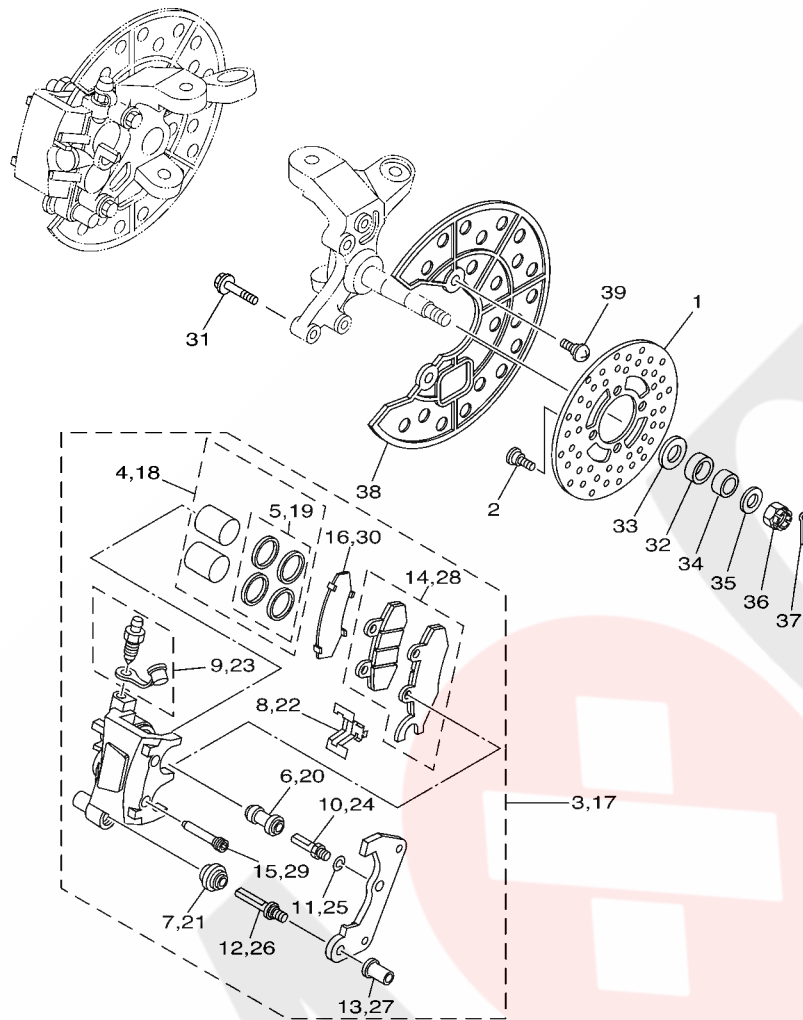

 1S31100-E270

FIG. 28 FRONT WHEEL




SLP1100-1280

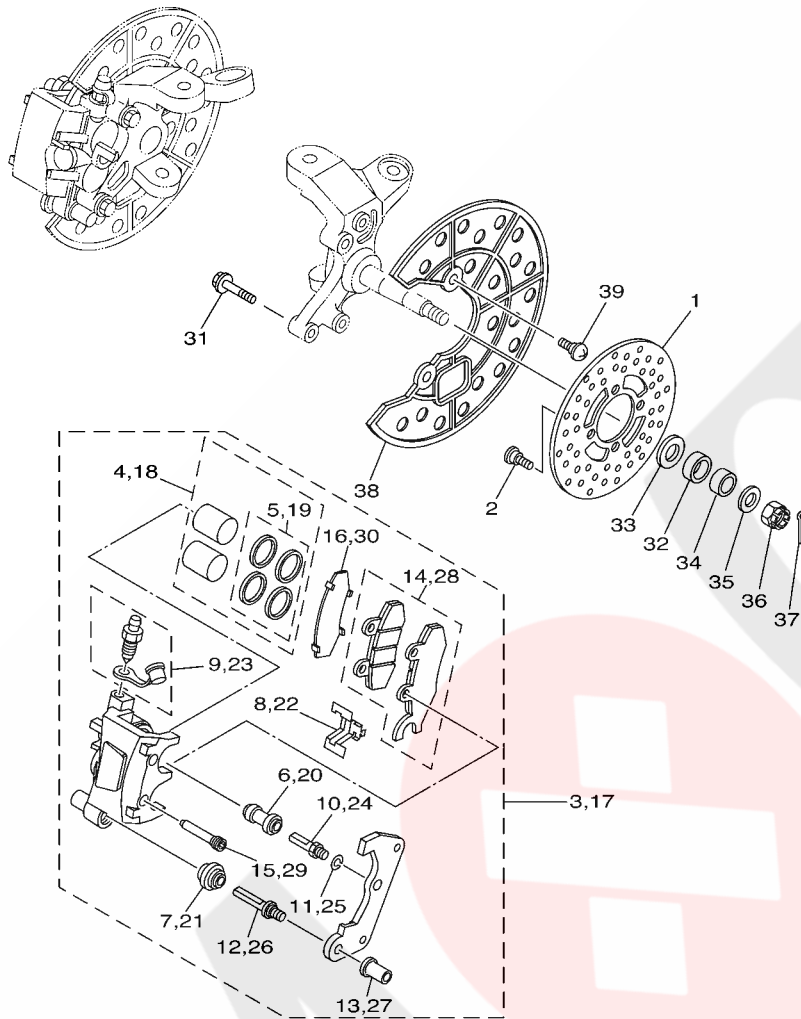
| REF. NO. | PART NO. | DESCRIPTION | USA | CAN | EUR | OCE | REMARKS |
|----------|--------------|------------------------------|-----|-----|-----|-----|----------|
| 1 | 5LP-25180-20 | WHEEL COMP. | 1 | 1 | 1 | 1 | |
| 2 | 94107-10015 | TIRE (AT21X7R10 KT341 T/L N) | 1 | 1 | 1 | 1 | DUNLOP |
| 3 | 93900-00030 | VALVE, RIM (TR412) | 1 | 1 | 1 | 1 | TAIHEIYO |
| 4 | 5LP-25180-20 | WHEEL COMP. | 1 | 1 | 1 | 1 | |
| 5 | 94107-10015 | TIRE (AT21X7R10 KT341 T/L N) | 1 | 1 | 1 | 1 | DUNLOP |
| 6 | 93900-00030 | VALVE, RIM (TR412) | 1 | 1 | 1 | 1 | TAIHEIYO |
| 7 | 1S3-25111-00 | HUB, FRONT | 2 | 2 | 2 | 2 | |
| 8 | 90114-10006 | .BOLT, SERRATION | 4 | 4 | 4 | 4 | |
| 9 | 5LP-25117-00 | SPACER, BEARING | 2 | 2 | 2 | 2 | |
| 10 | 93306-00446 | BEARING | 2 | 2 | 2 | 2 | |
| 11 | 93306-20231 | BEARING | 2 | 2 | 2 | 2 | |
| 12 | 93105-26026 | OIL SEAL | 2 | 2 | 2 | 2 | |
| 13 | 93102-22216 | OIL SEAL | 2 | 2 | 2 | 2 | |
| 14 | 95702-10500 | NUT, WITH WASHER | 8 | 8 | 8 | 8 | |
| 15 | 92902-10200 | WASHER | 8 | 8 | 8 | 8 | |
| 16 | 1S3-25127-00 | COVER, PLATE | 2 | 2 | 2 | 2 | |
| | | | | | | | |
| | | | | | | | |
| | | | | | | | |
| | | | | | | | |



1S31100-E290

FIG. 29 FRONT BRAKE CALIPER

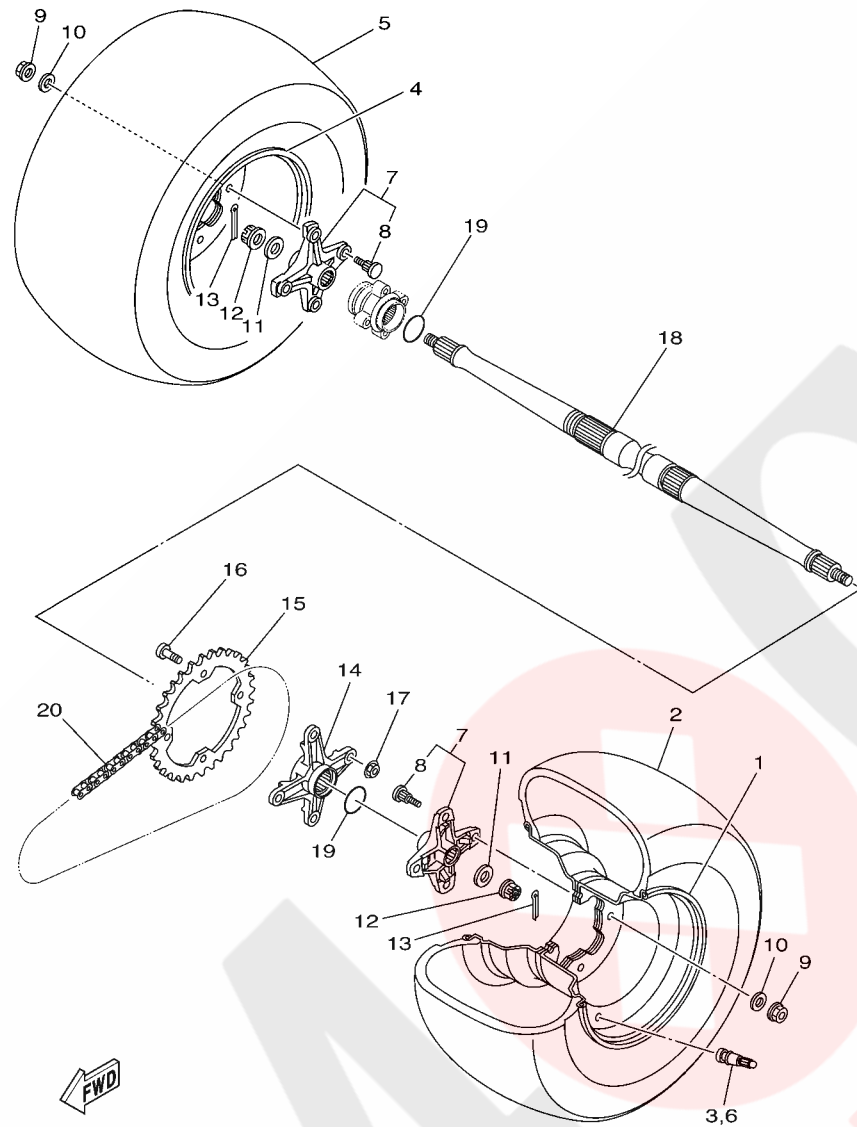
| REF. NO. | PART NO. | DESCRIPTION | USA | CAN | EUR | OCE | REMARKS |
|----------|--------------|-----------------------|-----|-----|-----|-----|---------|
| 1 | 3GD-2582T-10 | DISC, BRAKE (LEFT) | 2 | 2 | 2 | 2 | |
| 2 | 90109-08082 | BOLT | 8 | 8 | 8 | 8 | |
| 3 | 1S3-2580T-01 | CALIPER ASSY (LEFT) | 1 | 1 | 1 | 1 | |
| 4 | 5TG-W0057-00 | .PISTON ASSY, CALIPER | 1 | 1 | 1 | 1 | |
| 5 | 3LC-W0047-50 | ..CALIPER SEAL KIT | 1 | 1 | 1 | 1 | |
| 6 | 1UY-25937-51 | .BOOT 2 | 1 | 1 | 1 | 1 | |
| 7 | 3JD-25917-00 | .BOOT, CALIPER | 1 | 1 | 1 | 1 | |
| 8 | 3JD-25919-00 | .SUPPORT, PAD | 1 | 1 | 1 | 1 | |
| 9 | 1UY-W0048-50 | .BLEED SCREW KIT | 1 | 1 | 1 | 1 | |
| 10 | 1UY-25926-51 | .BOLT | 1 | 1 | 1 | 1 | |
| 11 | 1UY-25938-51 | .WASHER, SPRING | 1 | 1 | 1 | 1 | |
| 12 | 3JD-25926-00 | .BOLT | 1 | 1 | 1 | 1 | |
| 13 | 3JD-25961-00 | .NUT | 1 | 1 | 1 | 1 | |
| 14 | 1S3-W0045-00 | .BRAKE PAD KIT | 1 | 1 | 1 | 1 | LH |
| 15 | 5TG-25924-00 | .PIN, PAD | 2 | 2 | 2 | 2 | |
| 16 | 1S3-25828-00 | .SHIM, CALIPER | 1 | 1 | 1 | 1 | |
| 17 | 1S3-2580U-01 | CALIPER ASSY (RIGHT) | 1 | 1 | 1 | 1 | |
| 18 | 5TG-W0057-00 | .PISTON ASSY, CALIPER | 1 | 1 | 1 | 1 | |
| 19 | 3LC-W0047-50 | ..CALIPER SEAL KIT | 1 | 1 | 1 | 1 | |
| 20 | 1UY-25937-51 | .BOOT 2 | 1 | 1 | 1 | 1 | |
| 21 | 3JD-25917-00 | .BOOT, CALIPER | 1 | 1 | 1 | 1 | |
| 22 | 3JD-25919-00 | .SUPPORT, PAD | 1 | 1 | 1 | 1 | |
| 23 | 1UY-W0048-50 | .BLEED SCREW KIT | 1 | 1 | 1 | 1 | |
| 24 | 1UY-25926-51 | .BOLT | 1 | 1 | 1 | 1 | |
| 25 | 1UY-25938-51 | .WASHER, SPRING | 1 | 1 | 1 | 1 | |
| 26 | 3JD-25926-00 | .BOLT | 1 | 1 | 1 | 1 | |
| 27 | 3JD-25961-00 | .NUT | 1 | 1 | 1 | 1 | |



1S31100-E290

FIG. 29 FRONT BRAKE CALIPER

| REF. NO. | PART NO. | DESCRIPTION | USA | CAN | EUR | OCE | REMARKS |
|----------|--------------|----------------|-----|-----|-----|-----|---------|
| 28 | 1S3-W0045-10 | .BRAKE PAD KIT | 1 | 1 | 1 | 1 | RH |
| 29 | 5TG-25924-00 | .PIN, PAD | 2 | 2 | 2 | 2 | |
| 30 | 1S3-25828-00 | .SHIM, CALIPER | 1 | 1 | 1 | 1 | |
| 31 | 90105-08184 | BOLT, FLANGE | 4 | 4 | 4 | 4 | |
| 32 | 90387-20005 | COLLAR | 2 | 2 | 2 | 2 | |
| 33 | 90201-20022 | WASHER, PLATE | 2 | 2 | 2 | 2 | |
| 34 | 90387-150R1 | COLLAR | 2 | 2 | 2 | 2 | |
| 35 | 90201-14586 | WASHER, PLATE | 2 | 2 | 2 | 2 | |
| 36 | 90171-14002 | NUT, CASTLE | 2 | 2 | 2 | 2 | |
| 37 | 91402-30025 | PIN, COTTER | 2 | 2 | 2 | 2 | |
| 38 | 5TG-2514A-00 | RING, WHEEL 1 | 2 | 2 | 2 | 2 | |
| 39 | 90154-06014 | SCREW, BINDING | 4 | 4 | 4 | 4 | |

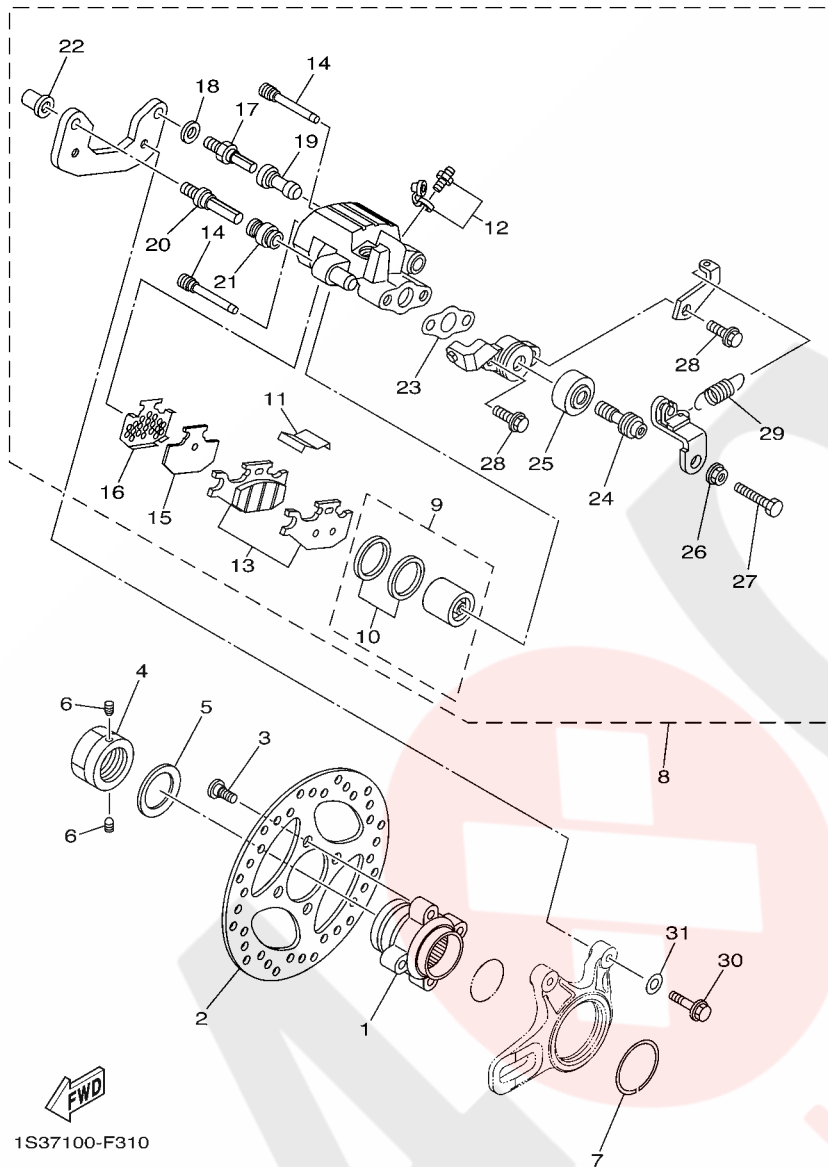


1S31100-E300

FIG. 30 REAR WHEEL

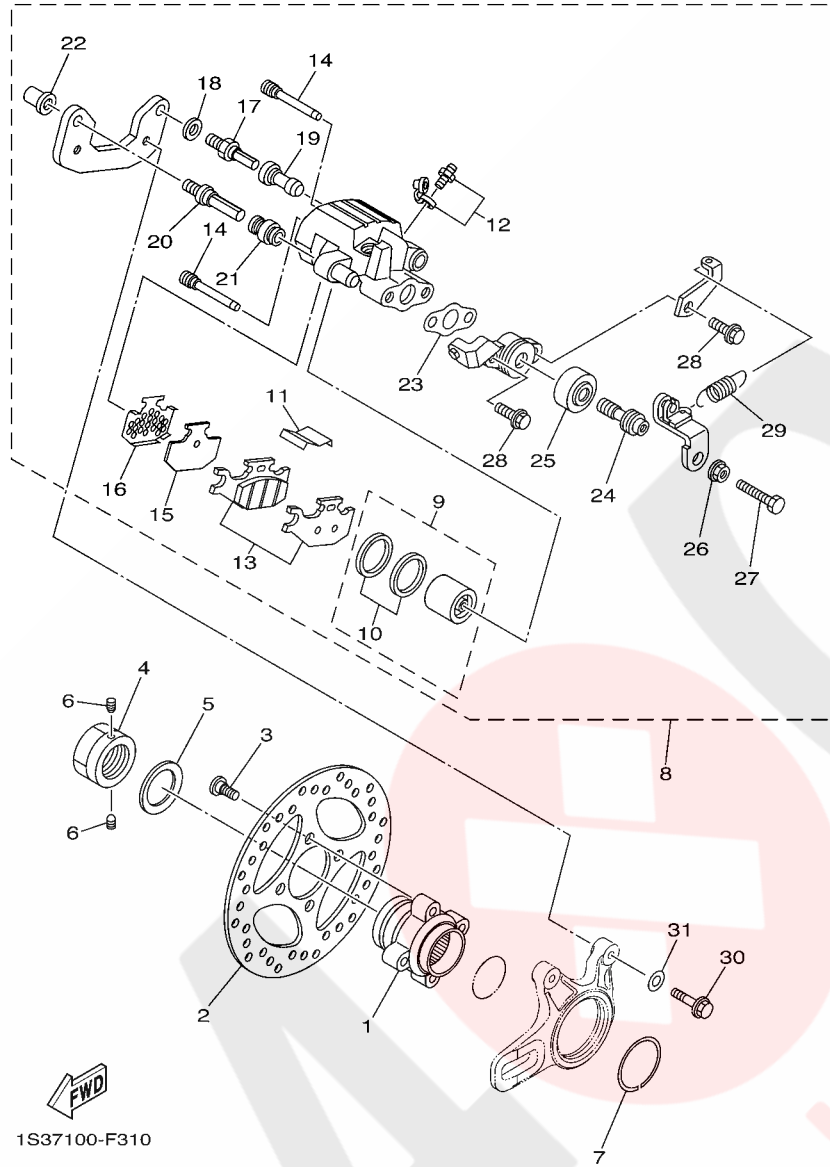
| REF. NO. | PART NO. | DESCRIPTION | USA | CAN | EUR | OCE | REMARKS |
|----------|--------------|------------------------------|-----|-----|-----|-----|----------|
| 1 | 5LP-25390-20 | REAR WHEEL COMP. | 1 | 1 | 1 | 1 | |
| 2 | 94110-09012 | TIRE(AT20X10-R9 KT345 T/L N) | 1 | 1 | 1 | 1 | DUNLOP |
| 3 | 93900-00022 | VALVE, RIM (TR413) | 1 | 1 | 1 | 1 | TAIHEIYO |
| 4 | 5LP-25390-20 | REAR WHEEL COMP. | 1 | 1 | 1 | 1 | |
| 5 | 94110-09012 | TIRE(AT20X10-R9 KT345 T/L N) | 1 | 1 | 1 | 1 | DUNLOP |
| 6 | 93900-00022 | VALVE, RIM (TR413) | 1 | 1 | 1 | 1 | TAIHEIYO |
| 7 | 1S3-25383-20 | COLLAR, WHEEL | 2 | 2 | 2 | 2 | |
| 8 | 90114-10013 | .BOLT, SERRATION | 4 | 4 | 4 | 4 | |
| 9 | 95702-10500 | NUT, WITH WASHER | 8 | 8 | 8 | 8 | |
| 10 | 92902-10200 | WASHER | 8 | 8 | 8 | 8 | |
| 11 | 90201-16023 | WASHER, PLATE | 2 | 2 | 2 | 2 | |
| 12 | 90171-16002 | NUT, CASTLE | 2 | 2 | 2 | 2 | |
| 13 | 90252-03001 | PIN, COTTER | 2 | 2 | 2 | 2 | |
| 14 | 1S3-25386-00 | COLLAR, SPROCKET AXLE | 1 | 1 | 1 | 1 | |
| 15 | 5TG-25438-10 | SPROCKET, DRIVEN (38T) | 1 | 1 | 1 | 1 | |
| 16 | 90109-10013 | BOLT | 4 | 4 | 4 | 4 | |
| 17 | 90185-10011 | NUT, SELF-LOCKING | 4 | 4 | 4 | 4 | |
| 18 | 1S3-25381-10 | AXLE, WHEEL | 1 | 1 | 1 | 1 | |
| 19 | 93210-36769 | O-RING | 2 | 2 | 2 | 2 | |
| 20 | 94582-13098 | CHAIN (DID520MXV 98LE) | 1 | 1 | 1 | 1 | |

FIG. 31 REAR BRAKE CALIPER

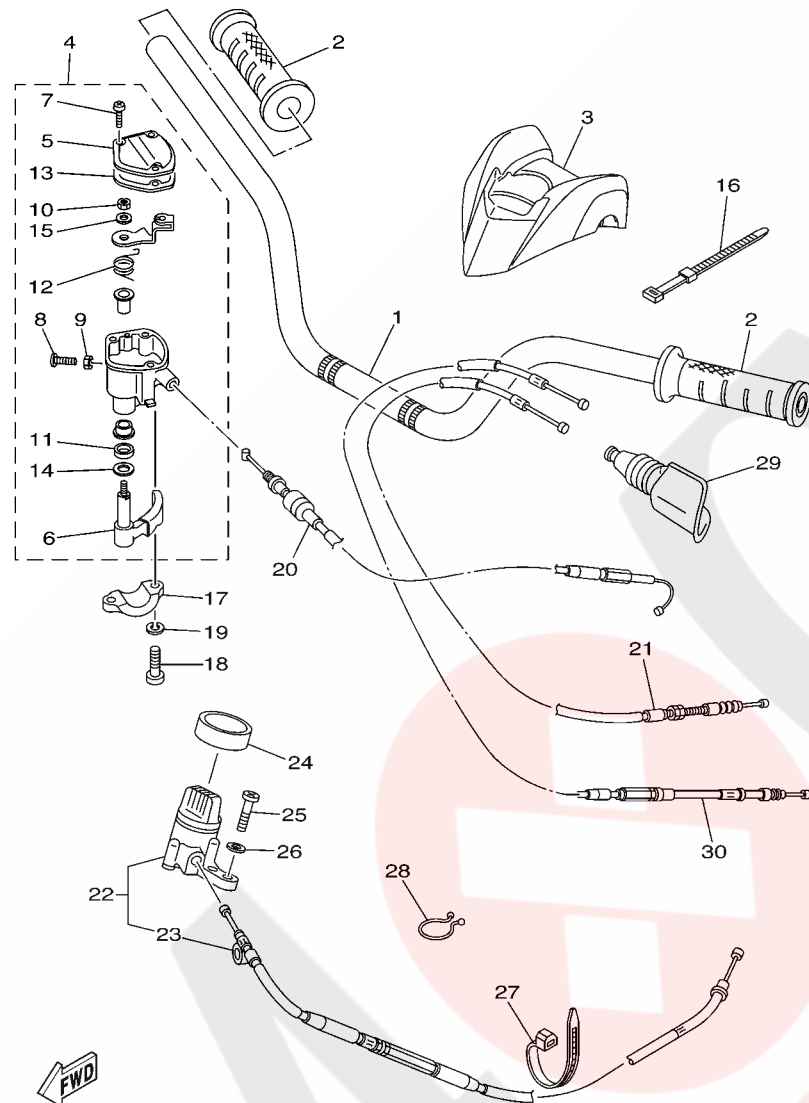


| REF. NO. | PART NO. | DESCRIPTION | USA | CAN | EUR | OCE | REMARKS |
|----------|--------------|------------------------|-----|-----|-----|-----|---------|
| 1 | 1S3-25712-00 | BRACKET, DISC | 1 | 1 | 1 | 1 | |
| 2 | 1S3-2582W-10 | DISK, REAR BRAKE 2 | 1 | 1 | 1 | 1 | |
| 3 | 90109-08076 | BOLT | 4 | 4 | 4 | 4 | |
| 4 | 90179-36003 | NUT | 1 | 1 | 1 | 1 | |
| 5 | 90208-37001 | WASHER, CONICAL SPRING | 1 | 1 | 1 | 1 | |
| 6 | 90113-06055 | BOLT, SET | 2 | 2 | 2 | 2 | |
| 7 | 1S3-25415-00 | CIRCLIP | 1 | 1 | 1 | 1 | |
| 8 | 1S3-2580V-11 | CALIPER ASSY, REAR 1 | 1 | 1 | 1 | 1 | |
| 9 | 5UG-W0057-00 | .PISTON ASSY, CALIPER | 1 | 1 | 1 | 1 | |
| 10 | 3GD-W0047-00 | ..CALIPER SEAL KIT | 1 | 1 | 1 | 1 | |
| 11 | 4GY-25919-50 | .SUPPORT, PAD | 1 | 1 | 1 | 1 | |
| 12 | 1UY-W0048-50 | .BLEED SCREW KIT | 1 | 1 | 1 | 1 | |
| 13 | 1S3-W0046-01 | .BRAKE PAD KIT 2 | 1 | 1 | 1 | 1 | |
| 14 | 5GH-25924-00 | .PIN, PAD | 2 | 2 | 2 | 2 | |
| 15 | 5UG-25827-00 | .SHIM, CALIPER | 1 | 1 | 1 | 1 | |
| 16 | 5GH-25828-00 | .SHIM, CALIPER | 1 | 1 | 1 | 1 | |
| 17 | 1UY-25926-51 | .BOLT | 1 | 1 | 1 | 1 | |
| 18 | 1UY-25938-51 | .WASHER, SPRING | 1 | 1 | 1 | 1 | |
| 19 | 1UY-25937-51 | .BOOT 2 | 1 | 1 | 1 | 1 | |
| 20 | 3JD-25926-00 | .BOLT | 1 | 1 | 1 | 1 | |
| 21 | 3JD-25917-00 | .BOOT, CALIPER | 1 | 1 | 1 | 1 | |
| 22 | 3JD-25961-00 | .NUT | 1 | 1 | 1 | 1 | |
| 23 | 5UG-25898-00 | .GASKET | 1 | 1 | 1 | 1 | |
| 24 | 1S3-25978-00 | .SHAFT L | 1 | 1 | 1 | 1 | |
| 25 | 1UY-25974-51 | .BOOT | 1 | 1 | 1 | 1 | |
| 26 | 1S3-25973-00 | .NUT | 1 | 1 | 1 | 1 | |
| 27 | 1S3-25972-00 | .ADJUSTBOLT | 1 | 1 | 1 | 1 | |

FIG. 31 REAR BRAKE CALIPER



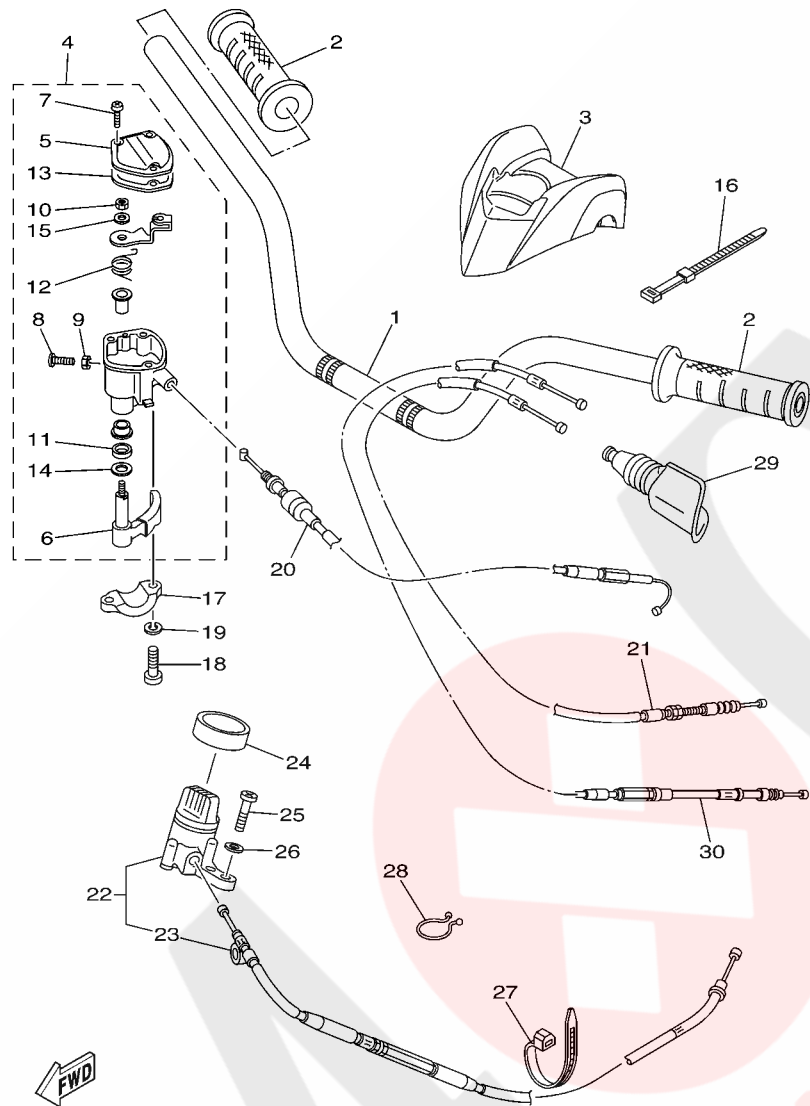
| REF. NO. | PART NO. | DESCRIPTION | USA | CAN | EUR | OCE | REMARKS |
|----------|--------------|-----------------|-----|-----|-----|-----|---------|
| 28 | 5UG-25833-00 | .BOLT, FITTING | 2 | 2 | 2 | 2 | |
| 29 | 5TG-25977-50 | .SPRING, RETURN | 1 | 1 | 1 | 1 | |
| 30 | 90105-08104 | BOLT, FLANGE | 2 | 2 | 2 | 2 | |
| 31 | 90201-08060 | WASHER, PLATE | 2 | 2 | 2 | 2 | |
| | | | | | | | |
| | | | | | | | |
| | | | | | | | |
| | | | | | | | |
| | | | | | | | |
| | | | | | | | |
| | | | | | | | |
| | | | | | | | |
| | | | | | | | |



1S31100-E320

FIG. 32 STEERING HANDLE & CABLE

| REF. NO. | PART NO. | DESCRIPTION | USA | CAN | EUR | OOE | REMARKS |
|----------|--------------|-----------------------|-----|-----|-----|-----|---------|
| 1 | 1S3-26111-20 | HANDLEBAR | 1 | 1 | 1 | 1 | |
| 2 | 5LP-26241-00 | GRIP | 2 | 2 | 2 | 2 | |
| 3 | 1S3-26124-00 | PROTECTOR, HANDLEBAR | 1 | 1 | 1 | 1 | |
| 4 | 4KB-26250-20 | THROTTLE LEVER ASSY | 1 | 1 | 1 | 1 | |
| 5 | 4KB-2628F-20 | .CAP, GEAR | 1 | 1 | 1 | 1 | |
| 6 | 1NV-2625G-01 | .LEVER, THROTTLE | 1 | 1 | 1 | 1 | |
| 7 | 4KB-2632G-00 | .SCREW | 3 | 3 | 3 | 3 | |
| 8 | 4KB-26256-00 | .SCREW, GRIP END | 1 | 1 | 1 | 1 | |
| 9 | 95607-05100 | .NUT, U | 1 | 1 | 1 | 1 | |
| 10 | 4KB-26258-00 | .NUT, LOCK | 1 | 1 | 1 | 1 | |
| 11 | 93104-09025 | .OIL SEAL | 1 | 1 | 1 | 1 | |
| 12 | 1NV-26304-00 | .SPRING | 1 | 1 | 1 | 1 | |
| 13 | 4KB-2628G-00 | .GASKET | 1 | 1 | 1 | 1 | |
| 14 | 1NV-26129-00 | .WASHER | 1 | 1 | 1 | 1 | |
| 15 | 1NV-26398-00 | .WASHER | 1 | 1 | 1 | 1 | |
| 16 | 437-83936-01 | BAND, SWITCH CORD | 4 | 4 | 4 | 4 | |
| 17 | 4V4-82913-00 | HOLDER, LEVER LOWER 1 | 1 | 1 | 1 | 1 | |
| 18 | 98502-05020 | SCREW, PAN HEAD | 2 | 2 | 2 | 2 | |
| 19 | 92902-05100 | WASHER, SPRING | 2 | 2 | 2 | 2 | |
| 20 | 1S3-26311-10 | CABLE, THROTTLE 1 | 1 | 1 | 1 | 1 | |
| 21 | 1S3-26335-00 | CABLE, CLUTCH | 1 | 1 | 1 | 1 | |
| 22 | 1S3-26150-10 | REV. LEVER ASSY. | 1 | 1 | 1 | 1 | |
| 23 | 1S3-2637E-10 | .CABLE, CONTROL 1 | 1 | 1 | 1 | 1 | |
| 24 | 1S3-26113-00 | DAMPER | 1 | 1 | 1 | 1 | |
| 25 | 98502-05018 | SCREW, PAN HEAD | 2 | 2 | 2 | 2 | |
| 26 | 92902-05600 | WASHER, PLATE | 2 | 2 | 2 | 2 | |
| 27 | 90464-13073 | CLAMP | 1 | 1 | 1 | 1 | |



1S31100-E320

FIG. 32 STEERING HANDLE & CABLE

| REF. NO. | PART NO. | DESCRIPTION | USA | CAN | EUR | OCE | REMARKS |
|----------|--------------|-----------------------|-----|-----|-----|-----|---------|
| 28 | 90464-23041 | CLAMP | 1 | 1 | 1 | 1 | |
| 29 | 31A-26372-00 | COVER, HANDLE LEVER 1 | 1 | 1 | 1 | 1 | |
| 30 | 1S3-26341-00 | WIRE, BRAKE 1 | 1 | 1 | 1 | 1 | |
| ----- | | | | | | | |
| ----- | | | | | | | |
| ----- | | | | | | | |
| ----- | | | | | | | |
| ----- | | | | | | | |
| ----- | | | | | | | |
| ----- | | | | | | | |
| ----- | | | | | | | |
| ----- | | | | | | | |
| ----- | | | | | | | |
| ----- | | | | | | | |

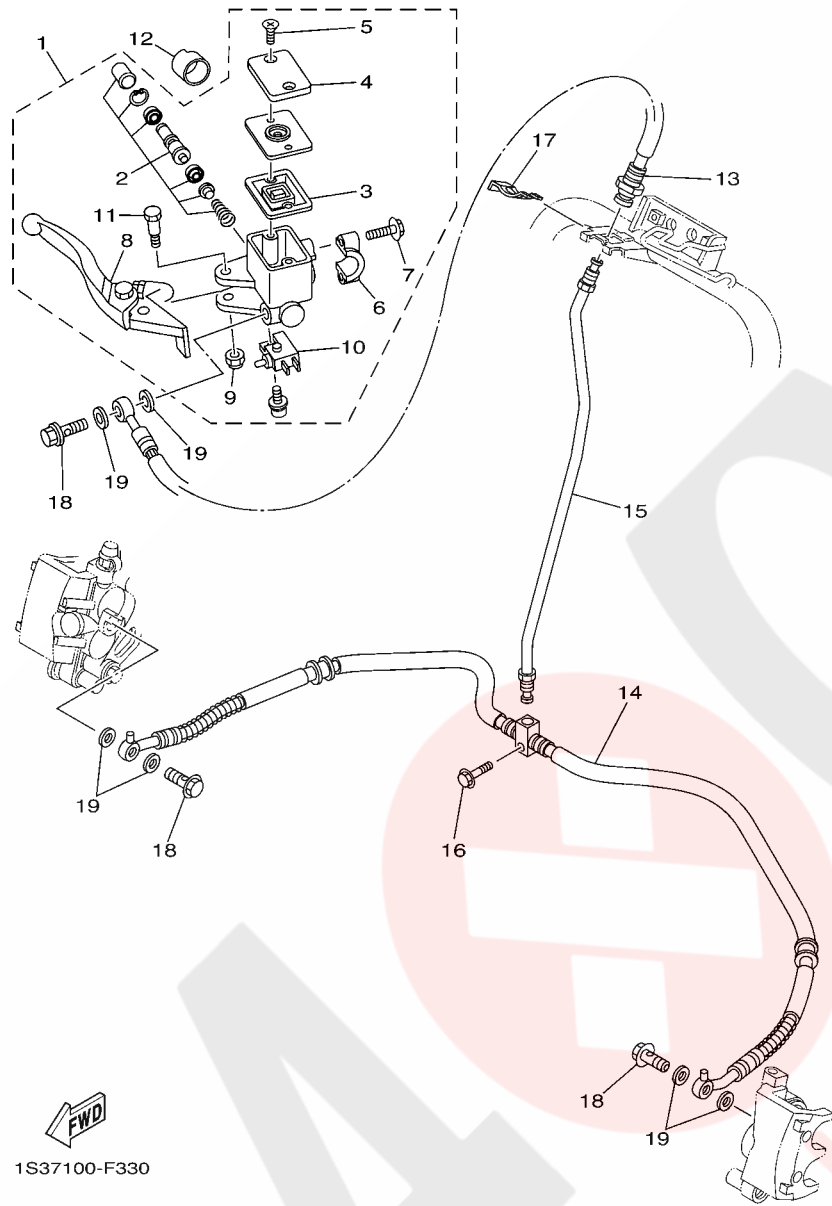
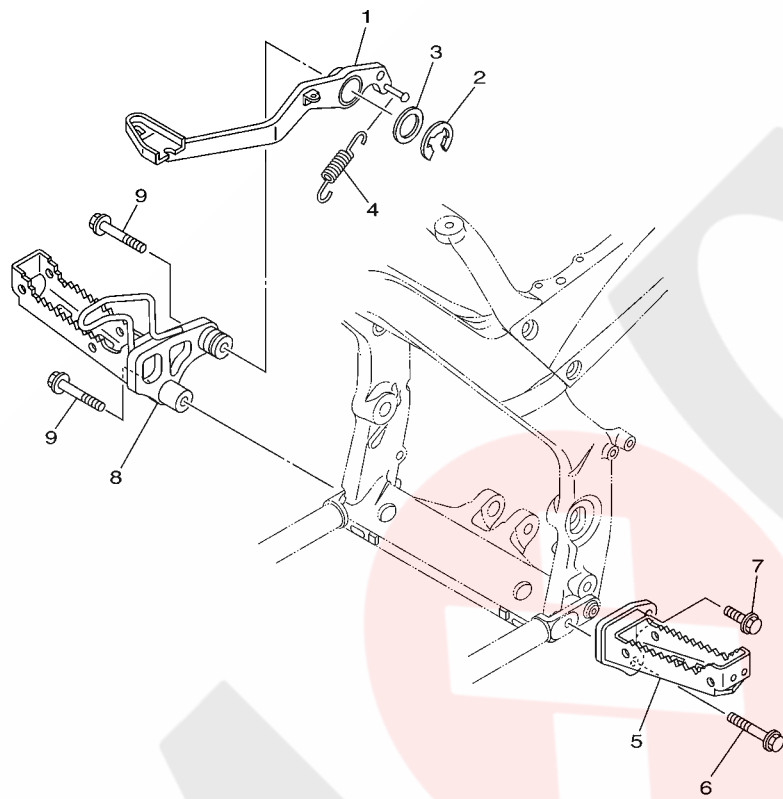


FIG. 33 FRONT MASTER CYLINDER

| REF. NO. | PART NO. | DESCRIPTION | USA | CAN | EUR | OCE | REMARKS |
|----------|--------------|-------------------------|-----|-----|-----|-----|---------|
| 1 | 5D3-2583T-00 | MASTER CYLINDER ASSY | 1 | 1 | 1 | 1 | |
| 2 | 5D3-W0041-00 | .CYLINDER KIT, MASTER | 1 | 1 | 1 | 1 | |
| 3 | 4TT-25854-00 | .GASKET, DIAPHRAGM | 1 | 1 | 1 | 1 | |
| 4 | 5D3-25852-00 | .CAP, RESERVOIR | 1 | 1 | 1 | 1 | |
| 5 | 4NK-2589H-00 | .SCREW | 2 | 2 | 2 | 2 | |
| 6 | 5LP-25867-00 | .HOLDER | 1 | 1 | 1 | 1 | |
| 7 | 5MV-25833-00 | .BOLT, FITTING | 2 | 2 | 2 | 2 | |
| 8 | 5D3-83922-00 | .LEVER 2 | 1 | 1 | 1 | 1 | |
| 9 | 95604-06100 | .NUT, U | 1 | 1 | 1 | 1 | |
| 10 | 5D3-83980-00 | .FRONT STOP SWITCH ASSY | 1 | 1 | 1 | 1 | |
| 11 | 3B4-2589F-00 | .BOLT, LEVER | 1 | 1 | 1 | 1 | |
| 12 | 1UY-26259-00 | COLLAR | 1 | 1 | 1 | 1 | |
| 13 | 1S3-25872-10 | HOSE, BRAKE 1 | 1 | 1 | 1 | 1 | |
| 14 | 5TG-25873-10 | HOSE, BRAKE 2 | 1 | 1 | 1 | 1 | |
| 15 | 1S3-25871-10 | PIPE, BRAKE | 1 | 1 | 1 | 1 | |
| 16 | 95822-06025 | BOLT, FLANGE | 1 | 1 | 1 | 1 | |
| 17 | 2GU-25866-00 | CIRCLIP | 1 | 1 | 1 | 1 | |
| 18 | 90401-10015 | BOLT, UNION | 3 | 3 | 3 | 3 | |
| 19 | 90201-10118 | WASHER, PLATE | 6 | 6 | 6 | 6 | |

FIG. 34 STAND & FOOTREST

| REF. NO. | PART NO. | DESCRIPTION | USA | CAN | EUR | OCE | REMARKS |
|----------|--------------|-----------------|-----|-----|-----|-----|---------|
| 1 | 1S3-27211-10 | PEDAL, BRAKE | 1 | 1 | 1 | 1 | |
| 2 | 93430-23054 | CIRCLIP | 1 | 1 | 1 | 1 | |
| 3 | 90201-266F6 | WASHER, PLATE | 1 | 1 | 1 | 1 | |
| 4 | 90506-20380 | SPRING, TENSION | 1 | 1 | 1 | 1 | |
| 5 | 1S3-27411-10 | FOOTREST 1 | 1 | 1 | 1 | 1 | |
| 6 | 90105-10294 | BOLT, FLANGE | 1 | 1 | 1 | 1 | |
| 7 | 95812-10030 | BOLT, FLANGE | 1 | 1 | 1 | 1 | |
| 8 | 1S3-27421-10 | FOOTREST 2 | 1 | 1 | 1 | 1 | |
| 9 | 90105-10294 | BOLT, FLANGE | 2 | 2 | 2 | 2 | |



1S31100-E340

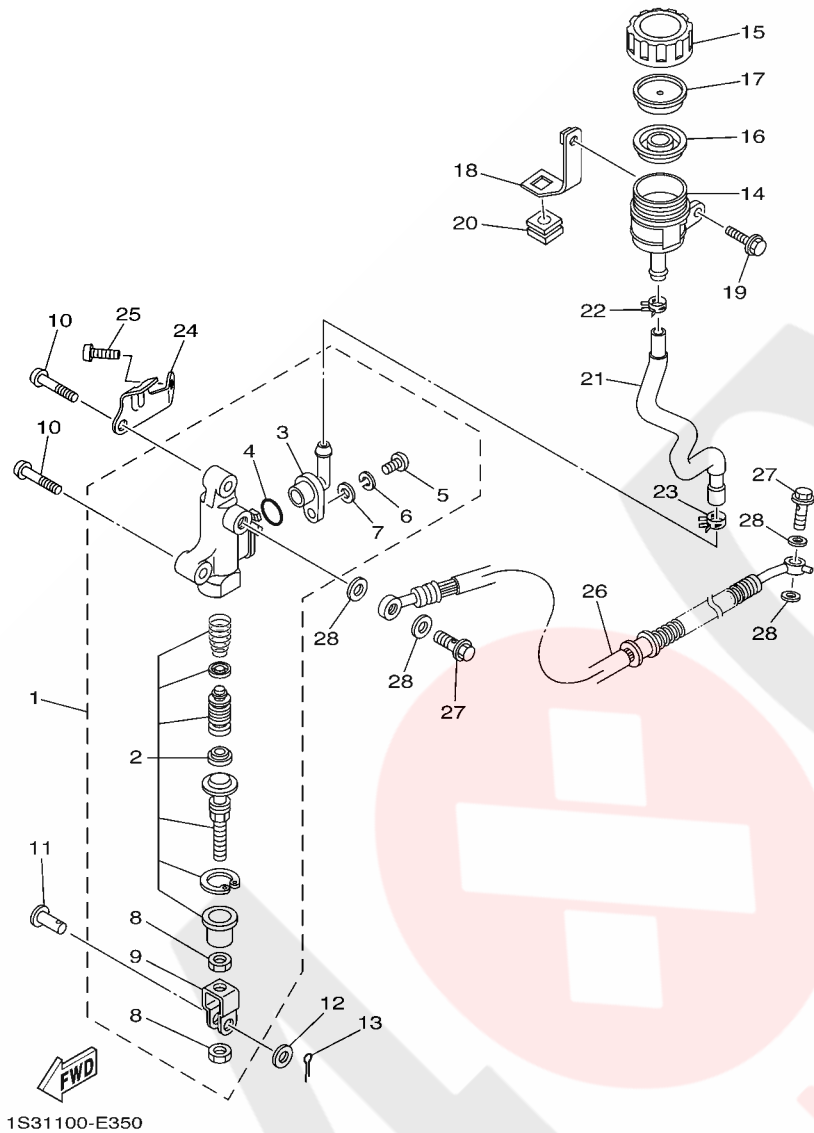
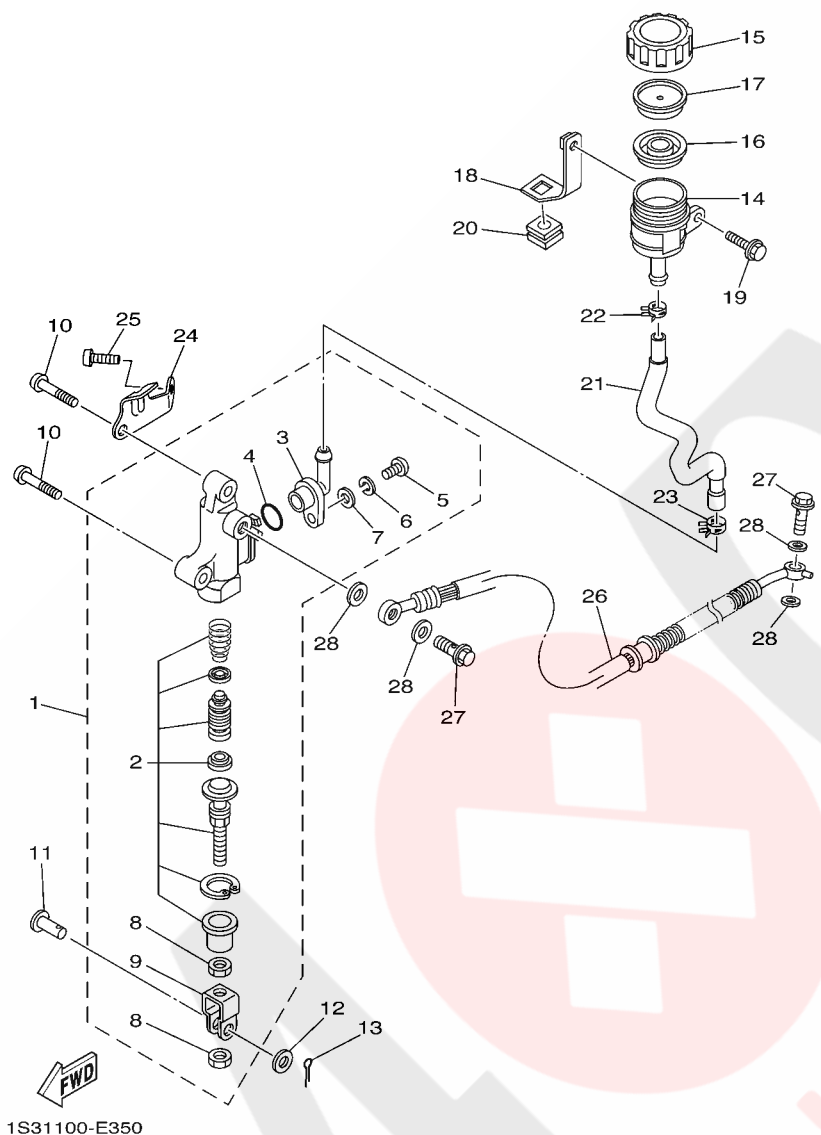


FIG. 35 REAR MASTER CYLINDER

| REF. NO. | PART NO. | DESCRIPTION | USA | CAN | EUR | OCE | REMARKS |
|----------|--------------|---------------------------|-----|-----|-----|-----|---------|
| 1 | 1S3-2580E-00 | REAR MASTER CYLINDER ASSY | 1 | 1 | 1 | 1 | |
| 2 | 1S3-W0042-50 | .CYLINDER KIT, MASTER | 1 | 1 | 1 | 1 | |
| 3 | 1AE-2582A-00 | .JOINT | 1 | 1 | 1 | 1 | |
| 4 | 93210-15620 | .O-RING | 1 | 1 | 1 | 1 | |
| 5 | 98506-04012 | .SCREW, PAN HEAD | 1 | 1 | 1 | 1 | |
| 6 | 92906-04100 | .WASHER, SPRING | 1 | 1 | 1 | 1 | |
| 7 | 92906-04600 | .WASHER, PLATE | 1 | 1 | 1 | 1 | |
| 8 | 4SS-27218-00 | .NUT | 2 | 2 | 2 | 2 | |
| 9 | 2YK-27222-00 | .YOKE | 1 | 1 | 1 | 1 | |
| 10 | 92012-08035 | BOLT, BUTTON HEAD | 2 | 2 | 2 | 2 | |
| 11 | 90240-08124 | PIN, CLEVIS | 1 | 1 | 1 | 1 | |
| 12 | 90201-08083 | WASHER, PLATE | 1 | 1 | 1 | 1 | |
| 13 | 91401-16012 | PIN, COTTER | 1 | 1 | 1 | 1 | |
| 14 | 5JJ-25894-00 | TANK, RESERVOIR | 1 | 1 | 1 | 1 | |
| 15 | 3XP-25852-50 | CAP, RESERVOIR | 1 | 1 | 1 | 1 | |
| 16 | 2VN-25854-00 | GASKET, DIAPHRAGM | 1 | 1 | 1 | 1 | |
| 17 | 2VN-25855-00 | BUSH, DIAPHRAGM | 1 | 1 | 1 | 1 | |
| 18 | 1S3-26292-00 | STAY | 1 | 1 | 1 | 1 | |
| 19 | 90119-06137 | BOLT, WITH WASHER | 1 | 1 | 1 | 1 | |
| 20 | 90480-15009 | GROMMET | 1 | 1 | 1 | 1 | |
| 21 | 1S3-25895-00 | HOSE, RESERVOIR | 1 | 1 | 1 | 1 | |
| 22 | 90467-11044 | CLIP | 1 | 1 | 1 | 1 | |
| 23 | 90467-14057 | CLIP | 1 | 1 | 1 | 1 | |
| 24 | 1S3-27453-00 | COVER 1 | 1 | 1 | 1 | 1 | |
| 25 | 92012-08016 | BOLT, BUTTON HEAD | 1 | 1 | 1 | 1 | |
| 26 | 1S3-25874-10 | HOSE, BRAKE | 1 | 1 | 1 | 1 | |
| 27 | 90401-10015 | BOLT, UNION | 2 | 2 | 2 | 2 | |



1S31100-E350

FIG. 35 REAR MASTER CYLINDER

| REF. NO. | PART NO. | DESCRIPTION | USA | CAN | EUR | OCE | REMARKS |
|----------|-------------|---------------|-----|-----|-----|-----|---------|
| 28 | 90201-10118 | WASHER, PLATE | 4 | 4 | 4 | 4 | |
| <hr/> | | | | | | | |
| <hr/> | | | | | | | |
| <hr/> | | | | | | | |
| <hr/> | | | | | | | |
| <hr/> | | | | | | | |
| <hr/> | | | | | | | |
| <hr/> | | | | | | | |
| <hr/> | | | | | | | |
| <hr/> | | | | | | | |

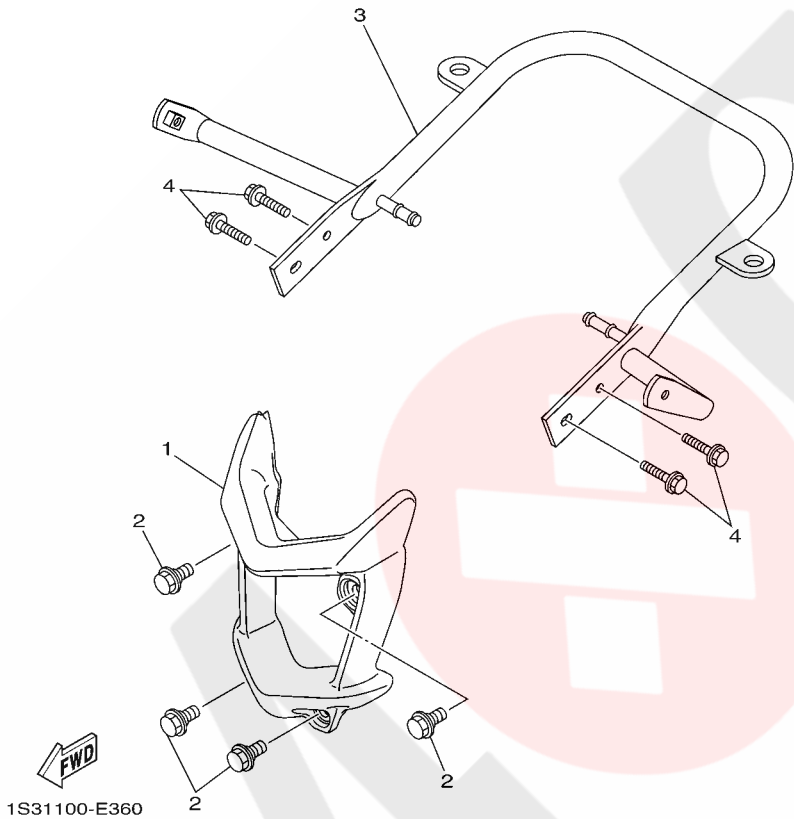
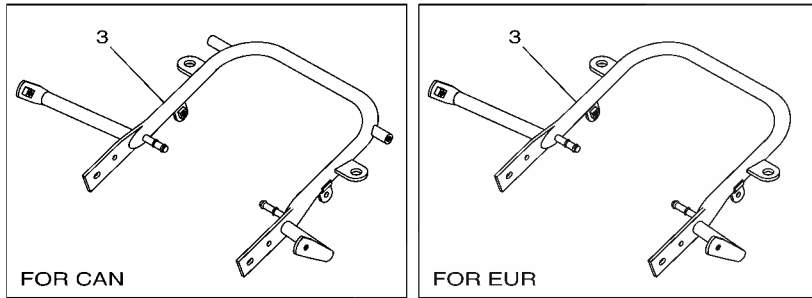
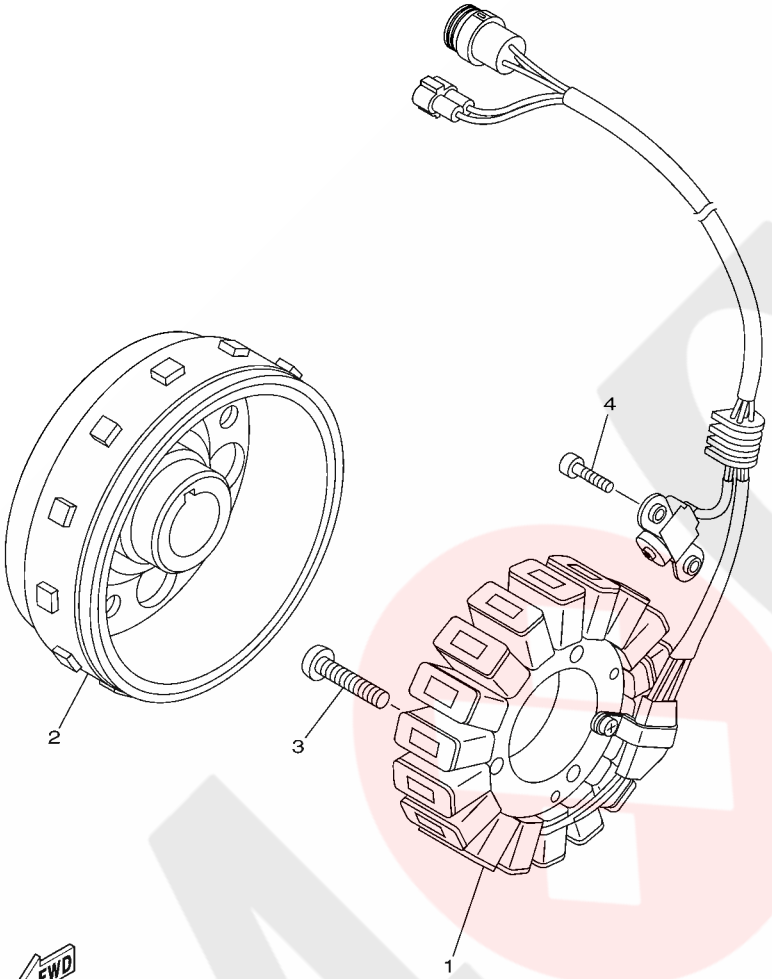


FIG. 36 GUARD

| REF. NO. | PART NO. | DESCRIPTION | USA | CAN | EUR | OCE | REMARKS |
|----------|--------------|------------------|-----|-----|-----|-----|---------|
| 1 | 1S3-2845N-00 | BAR, CARRY FRONT | 1 | 1 | 1 | 1 | |
| 2 | 90109-08100 | BOLT | 4 | 4 | 4 | 4 | |
| 3 | 1S3-2845R-30 | BAR, CARRY REAR | 1 | | | 1 | |
| | 1S3-2845R-40 | BAR, CARRY REAR | | 1 | | | |
| | 1S3-2845R-50 | BAR, CARRY REAR | | | 1 | | |
| 4 | 90105-08142 | BOLT, FLANGE | 4 | 4 | 4 | 4 | |
| | | | | | | | |
| | | | | | | | |
| | | | | | | | |
| | | | | | | | |
| | | | | | | | |

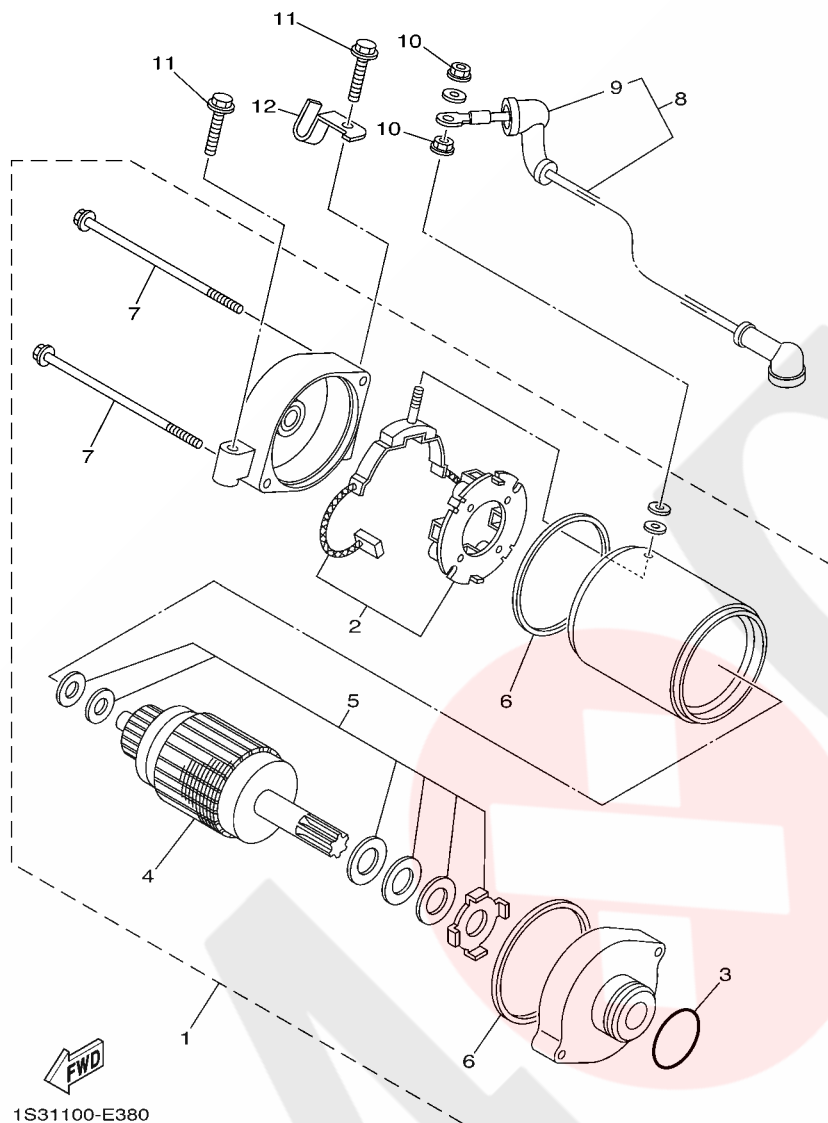
FIG. 37 GENERATOR

| REF. NO. | PART NO. | DESCRIPTION | USA | CAN | EUR | OCE | REMARKS |
|----------|--------------|---------------------------|-----|-----|-----|-----|---------|
| 1 | 1S3-81410-00 | STATOR ASSY | 1 | 1 | 1 | 1 | |
| 2 | 1S3-81450-00 | ROTOR ASSY | 1 | 1 | 1 | 1 | |
| 3 | 92012-06030 | BOLT, BUTTON HEAD | 3 | 3 | 3 | 3 | |
| 4 | 90110-05031 | BOLT, HEXAGON SOCKET HEAD | 2 | 2 | 2 | 2 | |

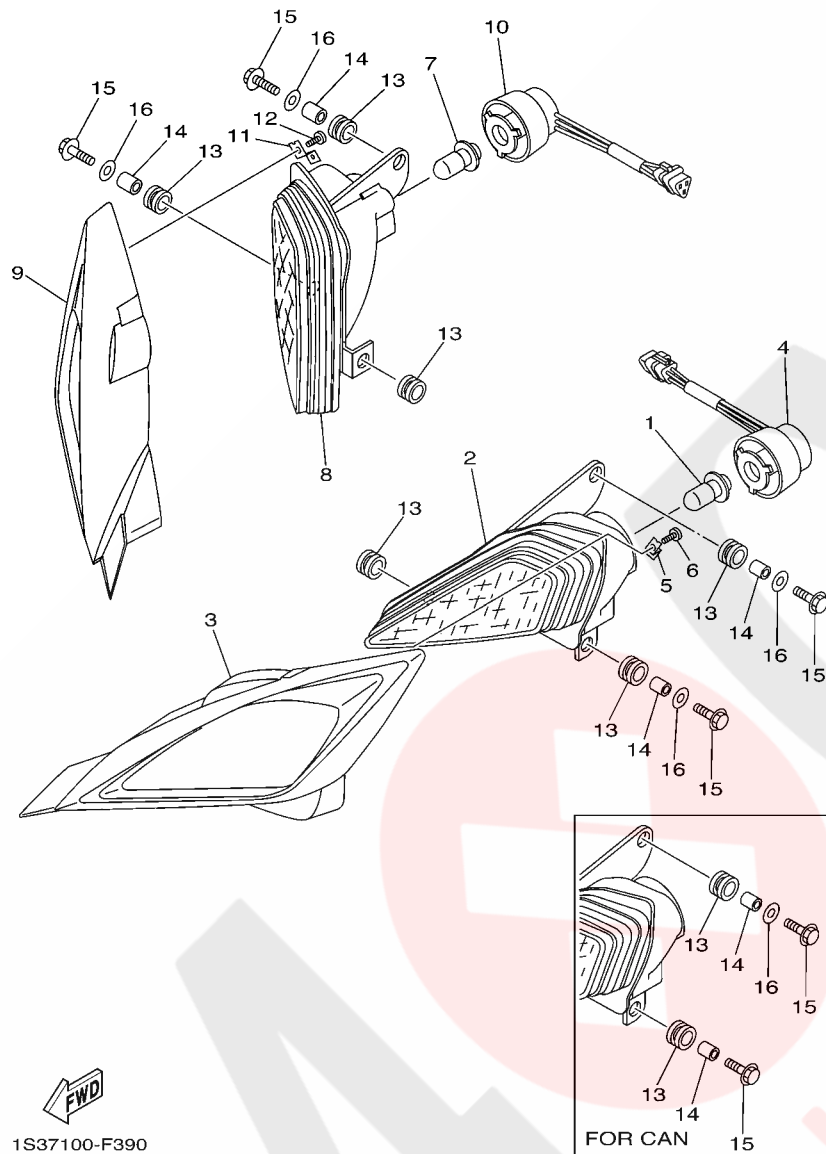


 1S31100-E370

FIG. 38 STARTING MOTOR



| REF. NO. | PART NO. | DESCRIPTION | USA | CAN | EUR | OCE | REMARKS |
|----------|--------------|---------------------|-----|-----|-----|-----|---------|
| 1 | 1S3-81890-00 | MOTOR ASSY | 1 | 1 | 1 | 1 | |
| 2 | 3AJ-81801-00 | .BRUSH SET | 1 | 1 | 1 | 1 | |
| 3 | 1FK-81847-00 | .O-RING | 1 | 1 | 1 | 1 | |
| 4 | 4NK-81850-00 | .ARMATURE ASSY | 1 | 1 | 1 | 1 | |
| 5 | 3KS-81809-00 | .WASHER KIT | 1 | 1 | 1 | 1 | |
| 6 | 11H-81844-00 | .GASKET | 2 | 2 | 2 | 2 | |
| 7 | 3AJ-81826-00 | .BOLT | 2 | 2 | 2 | 2 | |
| 8 | 1S3-81815-00 | CORD, STARTER MOTOR | 1 | 1 | 1 | 1 | |
| 9 | 4G0-81871-00 | .CAP | 1 | 1 | 1 | 1 | |
| 10 | 4XV-8182A-00 | NUT | 2 | 2 | 2 | 2 | |
| 11 | 95812-06030 | BOLT, FLANGE | 2 | 2 | 2 | 2 | |
| 12 | 1S3-15484-00 | CLAMP 2 | 1 | 1 | 1 | 1 | |

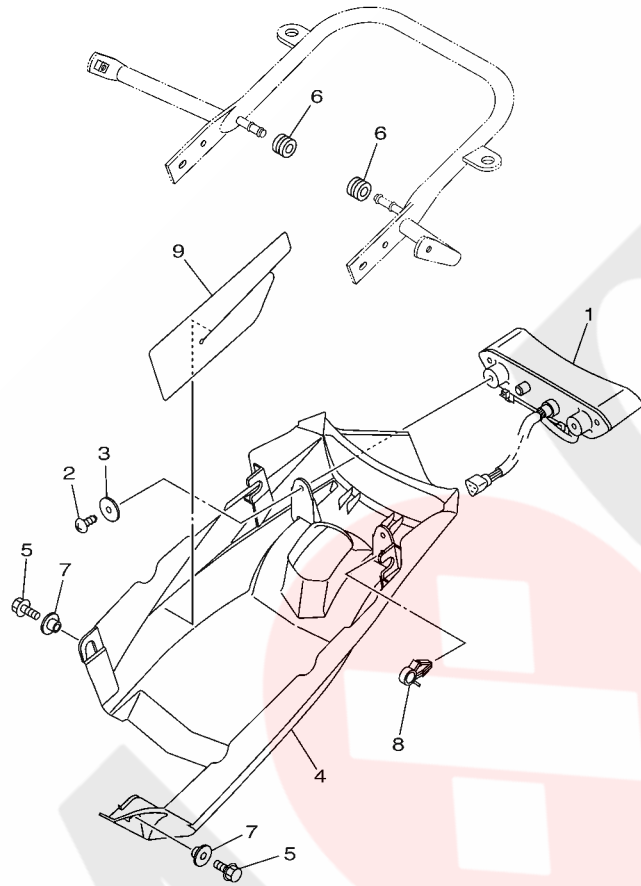


1S37100-F390

FIG. 39 HEADLIGHT

| REF. NO. | PART NO. | DESCRIPTION | USA | CAN | EUR | OCE | REMARKS |
|----------|--------------|------------------------|-----|-----|-----|-----|---------|
| 1 | 4KB-84314-01 | BULB (12V-30/30W) | 1 | 1 | 1 | 1 | |
| 2 | 5TG-84110-12 | HEADLIGHT UNIT ASSY | 1 | 1 | 1 | 1 | |
| 3 | 1S3-84165-00 | RIM, HEADLIGHT COVER 1 | 1 | 1 | 1 | 1 | |
| 4 | 5TG-84140-01 | SOCKET CORD ASSY | 1 | 1 | 1 | 1 | |
| 5 | 1S3-8413J-00 | PLATE, FITTING | 1 | 1 | 1 | 1 | |
| 6 | 97707-30510 | SCREW, TAPPING | 1 | 1 | 1 | 1 | |
| 7 | 4KB-84314-01 | BULB (12V-30/30W) | 1 | 1 | 1 | 1 | |
| 8 | 5TG-84310-12 | HEADLIGHT UNIT ASSY | 1 | 1 | 1 | 1 | |
| 9 | 1S3-84166-00 | RIM, HEADLIGHT COVER 2 | 1 | 1 | 1 | 1 | |
| 10 | 5TG-84340-01 | SOCKET CORD ASSY 1 | 1 | 1 | 1 | 1 | |
| 11 | 1S3-8413J-00 | PLATE, FITTING | 1 | 1 | 1 | 1 | |
| 12 | 97707-30510 | SCREW, TAPPING | 1 | 1 | 1 | 1 | |
| 13 | 90480-14102 | GROMMET | 6 | 6 | 6 | 6 | |
| 14 | 90387-07598 | COLLAR | 4 | 4 | 4 | 4 | |
| 15 | 95812-06030 | BOLT, FLANGE | 4 | 4 | 4 | 4 | |
| 16 | 90201-06078 | WASHER, PLATE | 4 | 2 | 4 | 4 | |

FIG. 40 TAILLIGHT

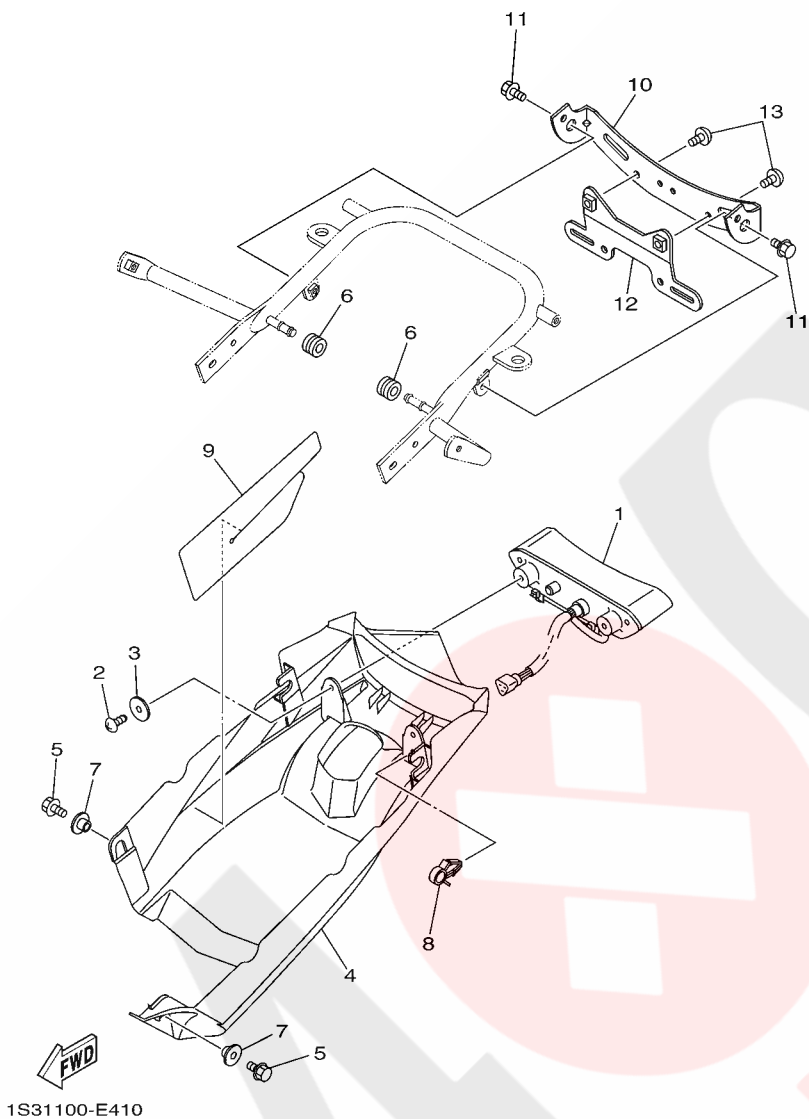


| REF. NO. | PART NO. | DESCRIPTION | USA | CAN | EUR | OCE | REMARKS |
|----------|--------------|---------------------|-----|-----|-----|-----|---------|
| 1 | 1S3-84710-00 | TAILLIGHT UNIT ASSY | 1 | | | 1 | |
| 2 | 97702-50016 | SCREW, TAPPING | 2 | | | 2 | |
| 3 | 90201-05025 | WASHER, PLATE | 2 | | | 2 | |
| 4 | 1S3-84716-40 | COVER, TAILLIGHT | 1 | | | 1 | |
| 5 | 95802-06010 | BOLT, FLANGE | 2 | | | 2 | |
| 6 | 90480-14101 | GROMMET | 2 | | | 2 | |
| 7 | 90387-06153 | COLLAR | 2 | | | 2 | |
| 8 | 90464-15157 | CLAMP | 1 | | | 1 | |
| 9 | 1S3-84736-00 | DAMPER, TAIL 1 | 1 | | | 1 | |
| | | | | | | | |
| | | | | | | | |
| | | | | | | | |
| | | | | | | | |
| | | | | | | | |
| | | | | | | | |
| | | | | | | | |
| | | | | | | | |
| | | | | | | | |



1S31100-E400

FIG. 41 TAILLIGHT 2



| REF. NO. | PART NO. | DESCRIPTION | USA | CAN | EUR | OCE | REMARKS |
|----------|--------------|---------------------|-----|-----|-----|-----|---------|
| 1 | 1S3-84710-00 | TAILLIGHT UNIT ASSY | | 1 | 1 | | |
| 2 | 97702-50016 | SCREW, TAPPING | | 2 | 2 | | |
| 3 | 90201-05025 | WASHER, PLATE | | 2 | 2 | | |
| 4 | 1S3-84716-40 | COVER, TAILLIGHT | | 1 | 1 | | |
| 5 | 95802-06010 | BOLT, FLANGE | | 2 | 2 | | |
| 6 | 90480-14101 | GROMMET | | 2 | 2 | | |
| 7 | 90387-06153 | COLLAR | | 2 | 2 | | |
| 8 | 90464-15157 | CLAMP | | 1 | 1 | | |
| 9 | 1S3-84736-00 | DAMPER, TAIL 1 | | 1 | 1 | | |
| 10 | 1S3-84703-10 | BRACKET | | 1 | 1 | | |
| 11 | 95802-06010 | BOLT, FLANGE | | 2 | 2 | | |
| 12 | 1S3-84751-10 | BRACKET, LICENSE | | 1 | | | |
| 13 | 92012-06010 | BOLT, BUTTON HEAD | | 2 | | | |

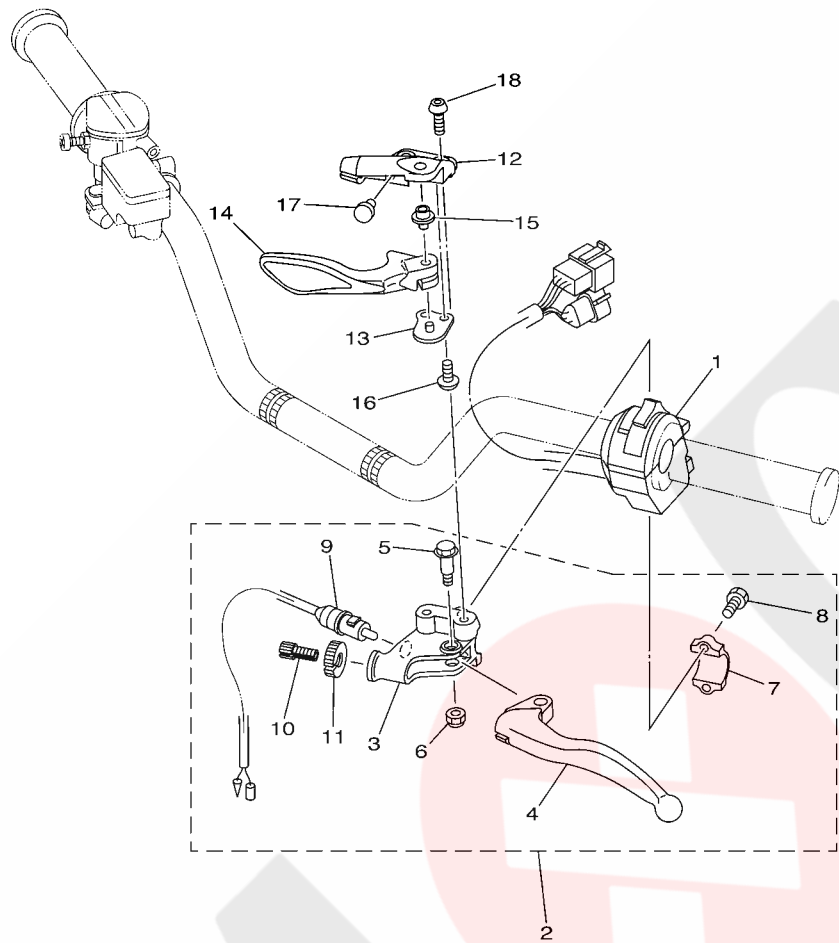
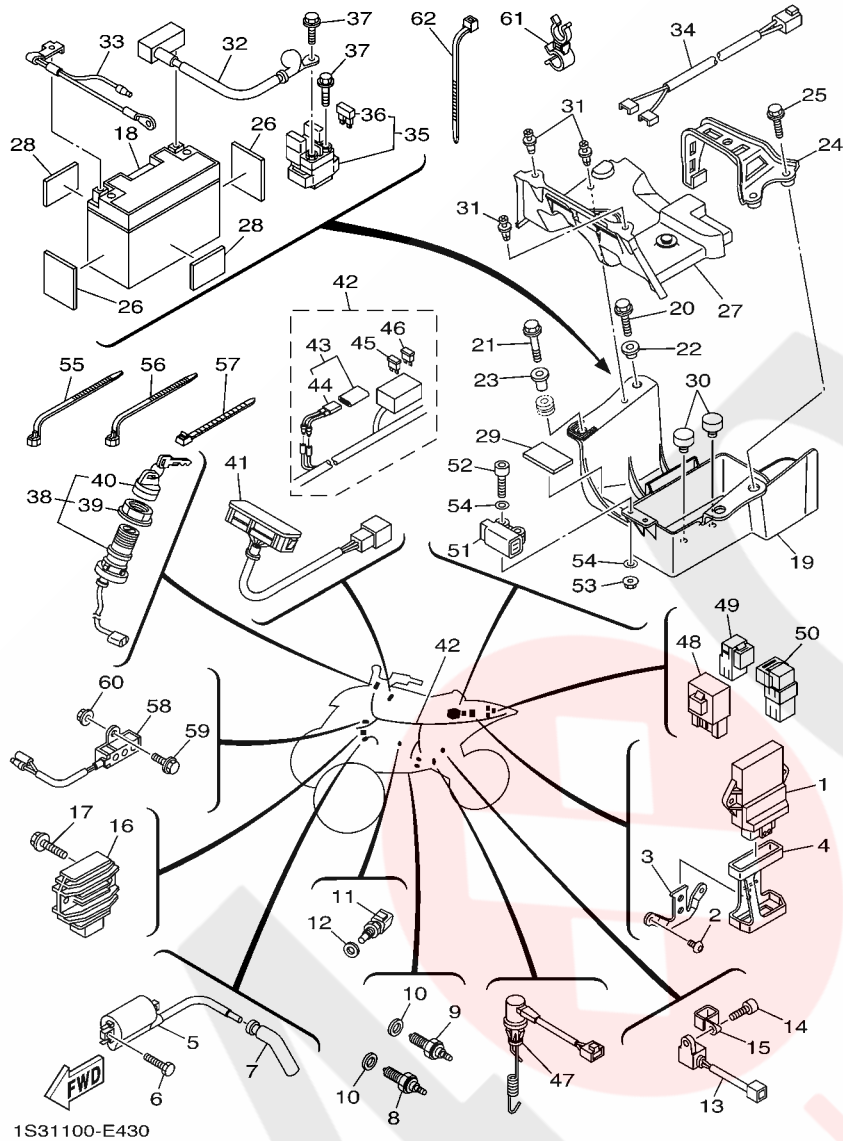


FIG. 42 HANDLE SWITCH & LEVER

| REF. NO. | PART NO. | DESCRIPTION | USA | CAN | EUR | OCE | REMARKS |
|----------|--------------|--------------------------|-----|-----|-----|-----|---------|
| 1 | 1S3-83973-00 | SWITCH, HANDLE 3 | 1 | 1 | 1 | 1 | |
| 2 | 5YT-82910-10 | LEVER HOLDER ASSY (LEFT) | 1 | 1 | 1 | 1 | |
| 3 | 5YT-82911-10 | .HOLDER, LEVER 1 | 1 | 1 | 1 | 1 | |
| 4 | 2HT-83912-00 | .LEVER 1 | 1 | 1 | 1 | 1 | |
| 5 | 90109-06798 | .BOLT | 1 | 1 | 1 | 1 | |
| 6 | 95602-06100 | .NUT, U | 1 | 1 | 1 | 1 | |
| 7 | 5TG-82913-00 | .HOLDER, LEVER LOWER 1 | 1 | 1 | 1 | 1 | |
| 8 | 97002-05016 | .BOLT | 2 | 2 | 2 | 2 | |
| 9 | 5KM-82917-00 | .SWITCH | 1 | 1 | 1 | 1 | |
| 10 | 90123-08046 | .BOLT | 1 | 1 | 1 | 1 | |
| 11 | 90179-08148 | .NUT | 1 | 1 | 1 | 1 | |
| 12 | 1S3-25727-00 | BRACKET, LEVER | 1 | 1 | 1 | 1 | |
| 13 | 5D3-25689-00 | PLATE, GUIDE | 1 | 1 | 1 | 1 | |
| 14 | 1S3-25726-00 | LEVER, BRAKE | 1 | 1 | 1 | 1 | |
| 15 | 5TG-83923-00 | COLLAR, LEVER 2 | 1 | 1 | 1 | 1 | |
| 16 | 92012-06012 | BOLT, BUTTON HEAD | 2 | 2 | 2 | 2 | |
| 17 | 90338-07007 | PLUG | 1 | 1 | 1 | 1 | |
| 18 | 92014-06016 | BOLT, BUTTON HEAD | 2 | 2 | 2 | 2 | |



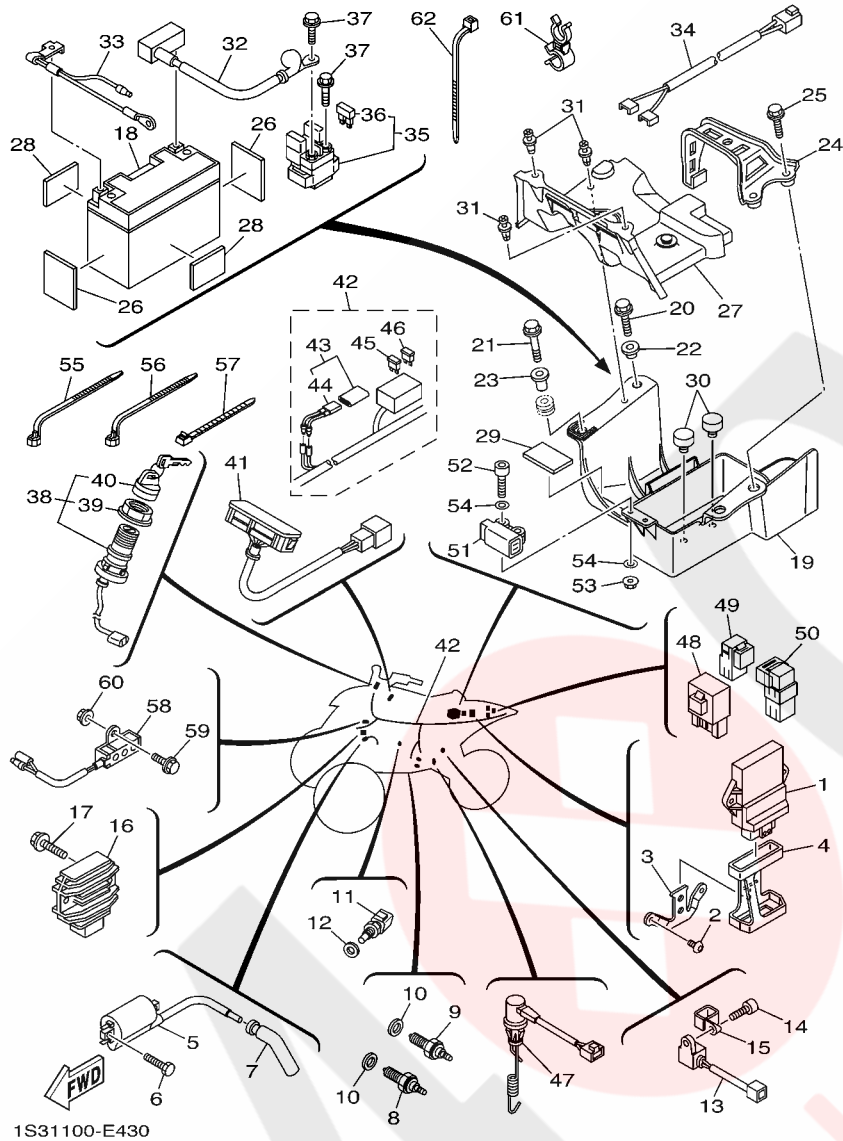
1S31100-E420



1S31100-E430

FIG. 43 ELECTRICAL 1

| REF. NO. | PART NO. | DESCRIPTION | USA | CAN | EUR | OCE | REMARKS |
|----------|--------------|----------------------------|-----|-----|-----|-----|---------|
| 1 | 1S3-8591A-00 | ENGINE CONTROL UNIT ASSY | 1 | 1 | 1 | 1 | |
| 2 | 92012-06010 | BOLT, BUTTON HEAD | 2 | 2 | 2 | 2 | |
| 3 | 1S3-21274-00 | BRACKET, C.D.I. UNIT | 1 | 1 | 1 | 1 | |
| 4 | 1S3-85546-00 | BAND | 1 | 1 | 1 | 1 | |
| 5 | 3TB-82310-00 | IGNITION COIL ASSY | 1 | 1 | 1 | 1 | |
| 6 | 97002-05020 | BOLT | 2 | 2 | 2 | 2 | |
| 7 | 5VK-82370-00 | PLUG CAP ASSY | 1 | 1 | 1 | 1 | |
| 8 | 5LP-82540-01 | NEUTRAL SWITCH ASSY | 1 | 1 | 1 | 1 | |
| 9 | 3GB-82540-01 | NEUTRAL SWITCH ASSY | 1 | 1 | 1 | 1 | |
| 10 | 90430-10148 | GASKET | 2 | 2 | 2 | 2 | |
| 11 | 5PS-85790-00 | THERMOSENSOR ASSY | 1 | 1 | 1 | 1 | |
| 12 | 90430-12202 | GASKET | 1 | 1 | 1 | 1 | |
| 13 | 1S3-83755-00 | SENSOR, SPEED | 1 | 1 | 1 | 1 | |
| 14 | 91312-06016 | BOLT | 1 | 1 | 1 | 1 | |
| 15 | 90461-10004 | CLAMP | 1 | 1 | 1 | 1 | |
| 16 | 5BN-81960-00 | RECTIFIER & REGULATOR ASSY | 1 | 1 | 1 | 1 | |
| 17 | 95802-06025 | BOLT, FLANGE | 2 | 2 | 2 | 2 | |
| 18 | 5GJ-82100-01 | BATTERY ASSY (GS GT9B-4) | 1 | 1 | 1 | 1 | |
| 19 | 1S3-8212B-00 | BOX, BATTERY 1 | 1 | 1 | 1 | 1 | |
| 20 | 90105-06084 | BOLT, FLANGE | 1 | 1 | 1 | 1 | |
| 21 | 95802-06030 | BOLT, FLANGE | 1 | 1 | 1 | 1 | |
| 22 | 90387-06153 | COLLAR | 1 | 1 | 1 | 1 | |
| 23 | 90387-06168 | COLLAR | 1 | 1 | 1 | 1 | |
| 24 | 1S3-82128-00 | BRACKET, BATTERY | 1 | 1 | 1 | 1 | |
| 25 | 95802-06020 | BOLT, FLANGE | 2 | 2 | 2 | 2 | |
| 26 | 1S3-82123-00 | SEAT, BATTERY | 2 | 2 | 2 | 2 | |
| 27 | 1S3-82129-00 | COVER, BATTERY | 1 | 1 | 1 | 1 | |



1S31100-E430

FIG. 43 ELECTRICAL 1

| REF. NO. | PART NO. | DESCRIPTION | USA | CAN | EUR | OOE | REMARKS |
|----------|--------------|------------------------------|-----|-----|-----|-----|---------|
| 28 | 1S3-82122-00 | SEAT, BATTERY | 2 | 2 | 2 | 2 | |
| 29 | 22F-2139X-00 | DAMPER | 1 | 1 | 1 | 1 | |
| 30 | 5TG-82121-10 | PAD, BATTERY | 2 | 2 | 2 | 2 | |
| 31 | 90269-06002 | RIVET | 3 | 3 | 3 | 3 | |
| 32 | 1S3-82115-00 | WIRE, PLUS LEAD | 1 | 1 | 1 | 1 | |
| 33 | 1S3-82116-10 | WIRE, MINUS LEAD | 1 | 1 | 1 | 1 | |
| 34 | 1S3-82541-00 | WIRE, LEAD | 1 | 1 | 1 | 1 | |
| 35 | 1S3-81940-00 | STARTER RELAY ASSY | 1 | 1 | 1 | 1 | |
| 36 | 2GH-82151-00 | .FUSE (20A-BL) | 2 | 2 | 2 | 2 | |
| 37 | 95022-06008 | BOLT, FLANGE | 2 | 2 | 2 | 2 | |
| 38 | 5LP-82510-00 | MAIN SWITCH ASSY | 1 | 1 | 1 | 1 | |
| 39 | 3HN-82569-00 | .NUT, MAIN SWITCH | 1 | 1 | 1 | 1 | |
| 40 | 3HN-82579-00 | .CAP, KEY | 1 | 1 | 1 | 1 | |
| 41 | 1S3-83530-00 | PILOT LIGHT ASSY | 1 | 1 | 1 | 1 | |
| 42 | 1S3-82590-10 | WIRE HARNESS ASSY | 1 | 1 | 1 | 1 | |
| 43 | 5GT-82180-00 | .CIRCUIT BREAKER ASSY | 1 | 1 | 1 | 1 | |
| 44 | 5GT-82560-00 | ..THERMO SWITCH ASSY | 1 | 1 | 1 | 1 | |
| 45 | 5JJ-82151-10 | .FUSE (15A-BL) | 2 | 2 | 2 | 2 | |
| 46 | 5JJ-82151-30 | .FUSE (10A-BL) | 4 | 4 | 4 | 4 | |
| 47 | 1S3-82530-10 | STOP SWITCH ASSY | 1 | 1 | 1 | 1 | |
| 48 | 5VK-81950-30 | RELAY ASSY | 1 | 1 | 1 | 1 | |
| 49 | 5EA-81950-20 | RELAY ASSY | 1 | 1 | 1 | 1 | |
| 50 | 5DM-81950-00 | RELAY ASSY(G8HN-1C4T-DJ-Y52) | 1 | 1 | 1 | 1 | |
| 51 | 5PS-82576-01 | LEAN ANGLE SENSOR | 1 | 1 | 1 | 1 | |
| 52 | 91312-04025 | BOLT | 2 | 2 | 2 | 2 | |
| 53 | 95702-04500 | NUT, WITH WASHER | 2 | 2 | 2 | 2 | |
| 54 | 90201-04030 | WASHER, PLATE | 4 | 4 | 4 | 4 | |

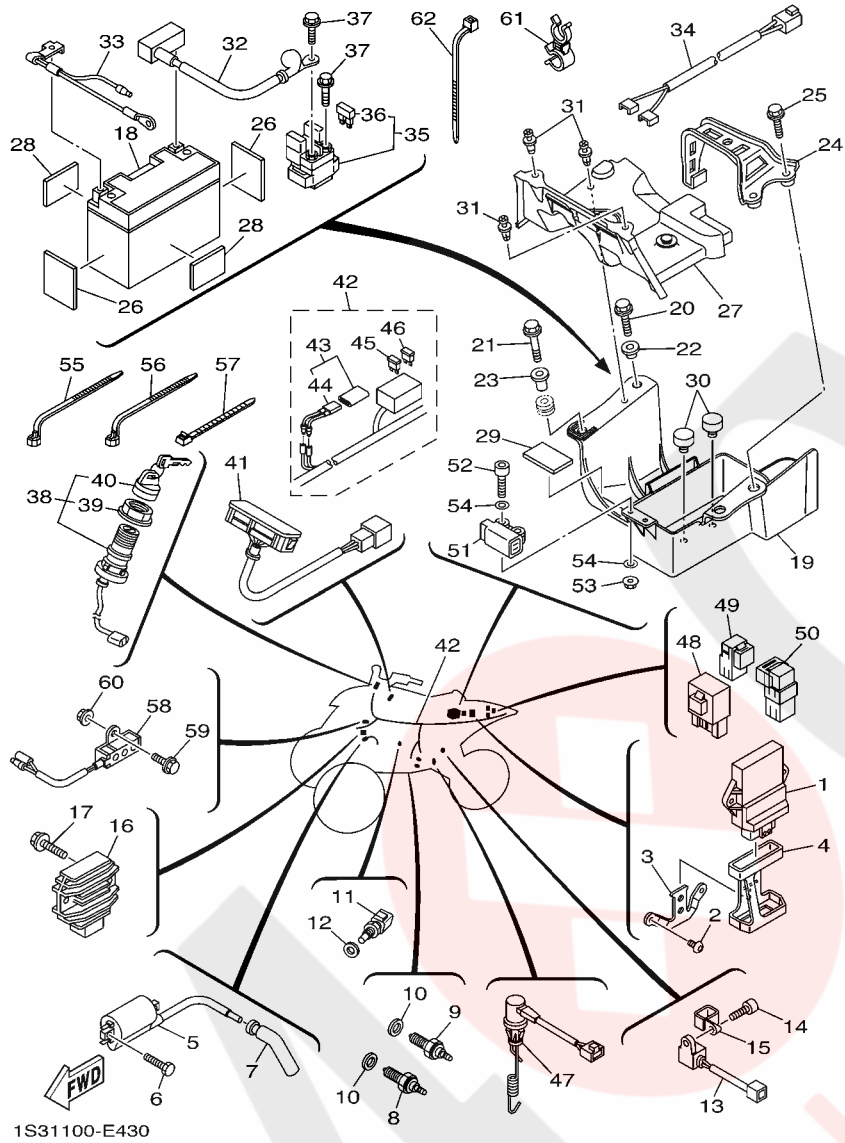
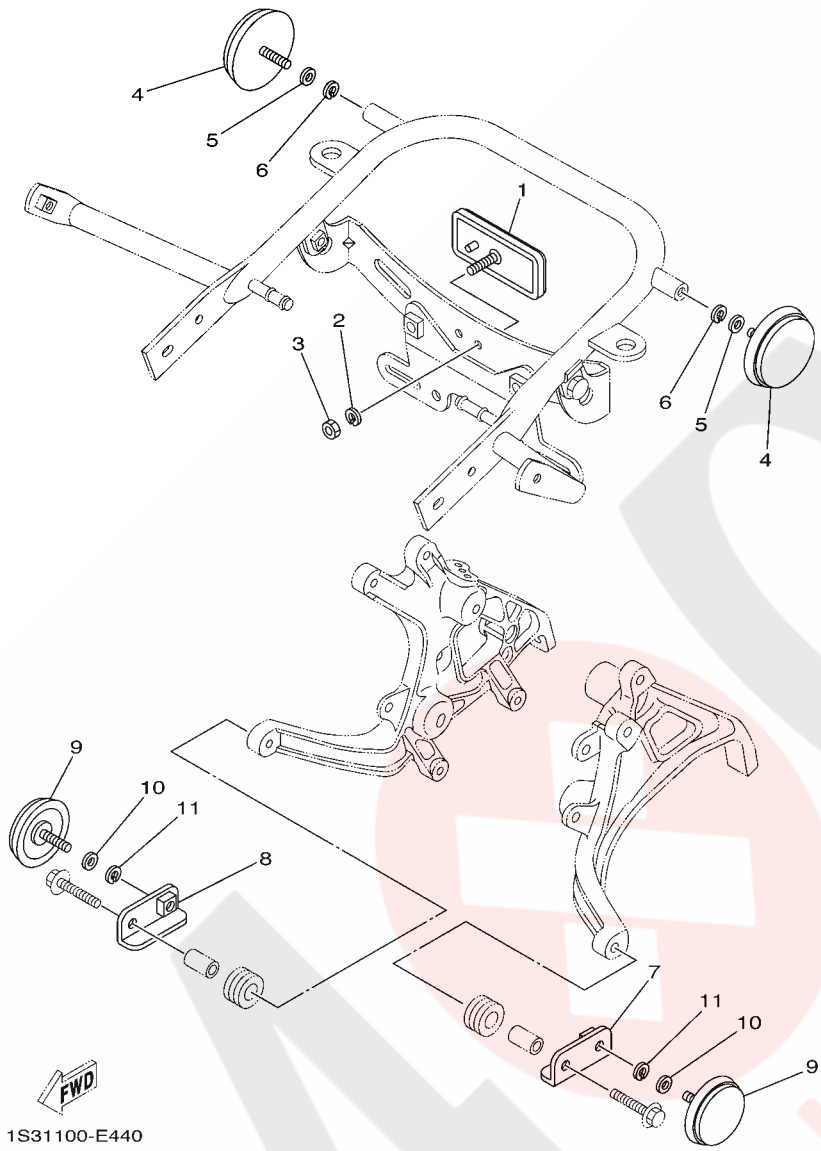


FIG. 43 ELECTRICAL 1

| REF. NO. | PART NO. | DESCRIPTION | USA | CAN | EUR | OCE | REMARKS |
|----------|--------------|---------------|-----|-----|-----|-----|---------|
| 55 | 90464-13077 | CLAMP | 1 | 1 | 1 | 1 | |
| 56 | 90464-15195 | CLAMP | 1 | 1 | 1 | 1 | |
| 57 | 90465-13M11 | CLAMP | 2 | 2 | 2 | 2 | |
| 58 | 1S3-85370-00 | RESISTOR ASSY | 1 | 1 | 1 | 1 | |
| 59 | 95802-06016 | BOLT, FLANGE | 1 | 1 | 1 | 1 | |
| 60 | 95702-06500 | NUT, FLANGE | 1 | 1 | 1 | 1 | |
| 61 | 90464-16013 | CLAMP | 1 | 1 | 1 | 1 | |
| 62 | 90465-10098 | CLAMP | 1 | 1 | 1 | 1 | |
| | | | | | | | |
| | | | | | | | |
| | | | | | | | |
| | | | | | | | |
| | | | | | | | |
| | | | | | | | |



1S31100-E440

FIG. 44 ELECTRICAL 2

| REF. NO. | PART NO. | DESCRIPTION | USA | CAN | EUR | OCE | REMARKS |
|----------|--------------|----------------------|-----|-----|-----|-----|---------|
| 1 | 3Y6-85130-02 | REAR REFLECTOR ASSY | | 1 | 1 | | |
| 2 | 92902-05100 | WASHER, SPRING | | 1 | 1 | | |
| 3 | 95302-05600 | NUT | | 1 | 1 | | |
| 4 | 449-85131-02 | REFLECTOR, REAR 1 | | 2 | | | |
| 5 | 92902-05200 | WASHER | | 2 | | | |
| 6 | 92902-05100 | WASHER, SPRING | | 2 | | | |
| 7 | 1S3-85112-10 | BRACKET, REFLECTOR 1 | | 1 | | | |
| 8 | 1S3-85122-10 | BRACKET, REFLECTOR 2 | | 1 | | | |
| 9 | 2EK-85111-00 | REFLECTOR, FRONT 1 | | 2 | | | |
| 10 | 92902-05200 | WASHER | | 2 | | | |
| 11 | 92902-05100 | WASHER, SPRING | | 2 | | | |

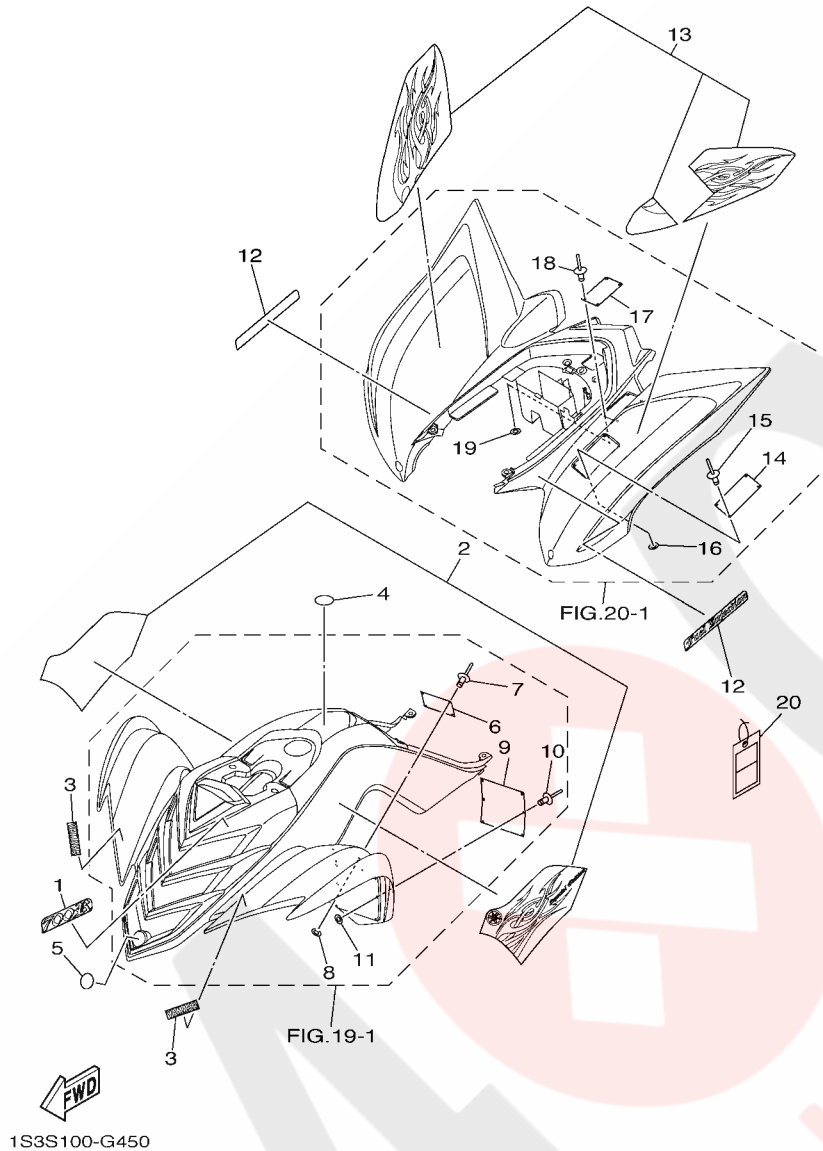


FIG. 45 EMBLEM & LABEL 1

| REF. NO. | PART NO. | DESCRIPTION | USA | CAN | EUR | OCE | REMARKS |
|----------|--------------|-------------------------|-----|-----|-----|-----|---------|
| 1 | 1S3-21565-80 | EMBLEM, 2 | 1 | | | | |
| 2 | 1S3-2159A-40 | GRAPHIC SET 1 | 1 | | | | |
| 3 | 3GD-2153E-10 | EMBLEM, YAMAHA | 2 | | | | |
| 4 | 5D3-2164B-00 | EMBLEM,3D | 1 | | | | |
| 5 | 5KM-2175B-00 | TUNING FORK MARK | 1 | | | | |
| 6 | 5FE-21697-01 | LABEL, CAUTION 2 | 1 | | | | ENGLISH |
| 7 | 90267-32004 | RIVET, BLIND | 4 | | | | |
| 8 | 90201-03008 | WASHER, PLATE | 4 | | | | |
| 9 | 5FE-21568-01 | LABEL, WARNING | 1 | | | | ENGLISH |
| 10 | 90267-32004 | RIVET, BLIND | 6 | | | | |
| 11 | 90201-03008 | WASHER, PLATE | 6 | | | | |
| 12 | 1S3-2163G-20 | EMBLEM 1 | 2 | | | | |
| 13 | 1S3-2165A-B0 | GRAPHIC SET,REAR FENDER | 1 | | | | |
| 14 | 5LP-21696-00 | LABEL, CAUTION | 1 | | | | ENGLISH |
| 15 | 90267-32004 | RIVET, BLIND | 4 | | | | |
| 16 | 90201-03008 | WASHER, PLATE | 4 | | | | |
| 17 | 5FE-2151H-01 | LABEL 5 | 1 | | | | ENGLISH |
| 18 | 90267-32004 | RIVET, BLIND | 4 | | | | |
| 19 | 90201-03008 | WASHER, PLATE | 4 | | | | |
| 20 | 5LP-2819R-00 | TAG, WARNING | 1 | | | | |

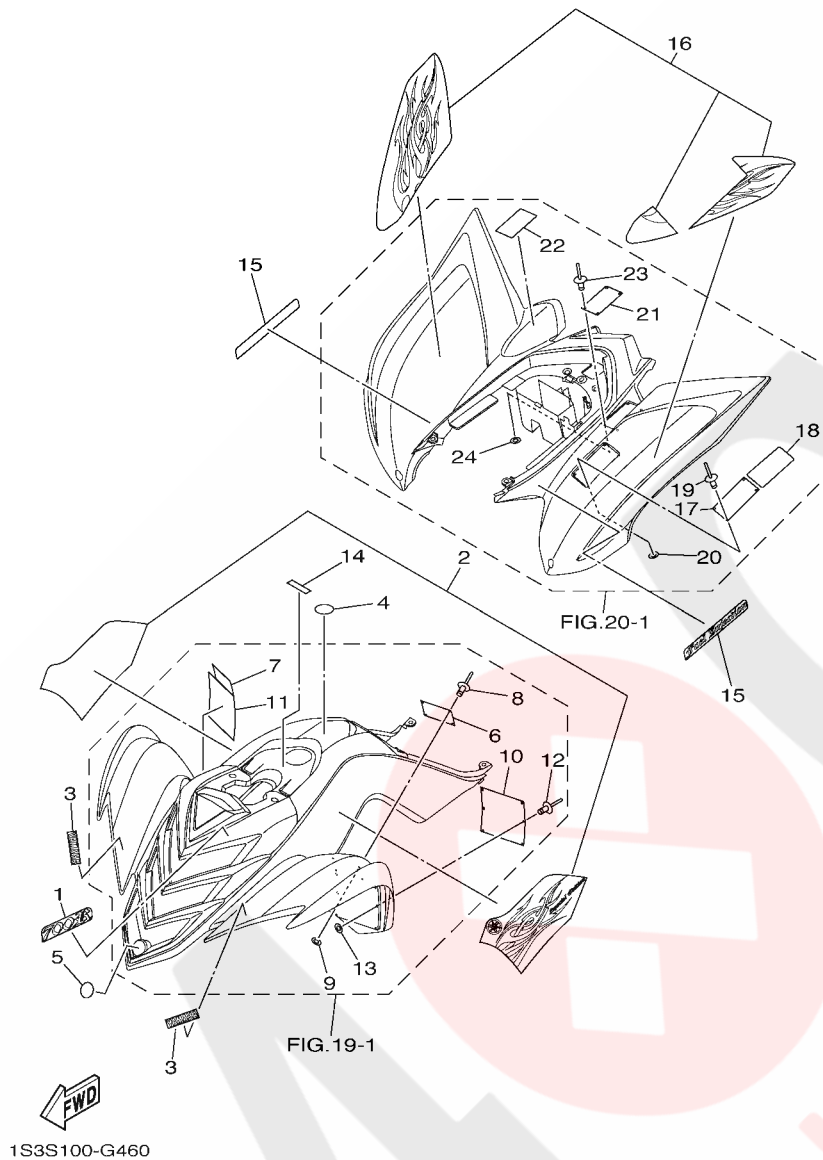


FIG. 46 EMBLEM & LABEL 2

| REF. NO. | PART NO. | DESCRIPTION | USA | CAN | EUR | OCE | REMARKS |
|----------|--------------|-------------------------|-----|-----|-----|-----|---------|
| 1 | 1S3-21565-80 | EMBLEM, 2 | | 1 | | | |
| 2 | 1S3-2159A-40 | GRAPHIC SET 1 | | 1 | | | |
| 3 | 3GD-2153E-10 | EMBLEM, YAMAHA | | 2 | | | |
| 4 | 5D3-2164B-00 | EMBLEM,3D | | 1 | | | |
| 5 | 5KM-2175B-00 | TUNING FORK MARK | | 1 | | | |
| 6 | 5FE-21697-01 | LABEL, CAUTION 2 | | 1 | | | ENGLISH |
| 7 | 3JM-21697-10 | LABEL, CAUTION 2 | | 1 | | | FRENCH |
| 8 | 90267-32004 | RIVET, BLIND | | 4 | | | |
| 9 | 90201-03008 | WASHER, PLATE | | 4 | | | |
| 10 | 5FE-21568-01 | LABEL, WARNING | | 1 | | | ENGLISH |
| 11 | 4WU-21568-10 | LABEL, WARNING | | 1 | | | FRENCH |
| 12 | 90267-32004 | RIVET, BLIND | | 6 | | | |
| 13 | 90201-03008 | WASHER, PLATE | | 6 | | | |
| 14 | 4SH-2416E-00 | LABEL, CAUTION CANADA | | 1 | | | ENGLISH |
| 15 | 1S3-2163G-20 | EMBLEM 1 | | 2 | | | |
| 16 | 1S3-2165A-C0 | GRAPHIC SET,REAR FENDER | | 1 | | | |
| 17 | 5LP-21696-00 | LABEL, CAUTION | | 1 | | | ENGLISH |
| 18 | 5LP-21696-B0 | LABEL, CAUTION | | 1 | | | FRENCH |
| 19 | 90267-32004 | RIVET, BLIND | | 4 | | | |
| 20 | 90201-03008 | WASHER, PLATE | | 4 | | | |
| 21 | 5FE-2151H-01 | LABEL 5 | | 1 | | | ENGLISH |
| 22 | 4WU-2151H-10 | LABEL 5 | | 1 | | | FRENCH |
| 23 | 90267-32004 | RIVET, BLIND | | 4 | | | |
| 24 | 90201-03008 | WASHER, PLATE | | 4 | | | |

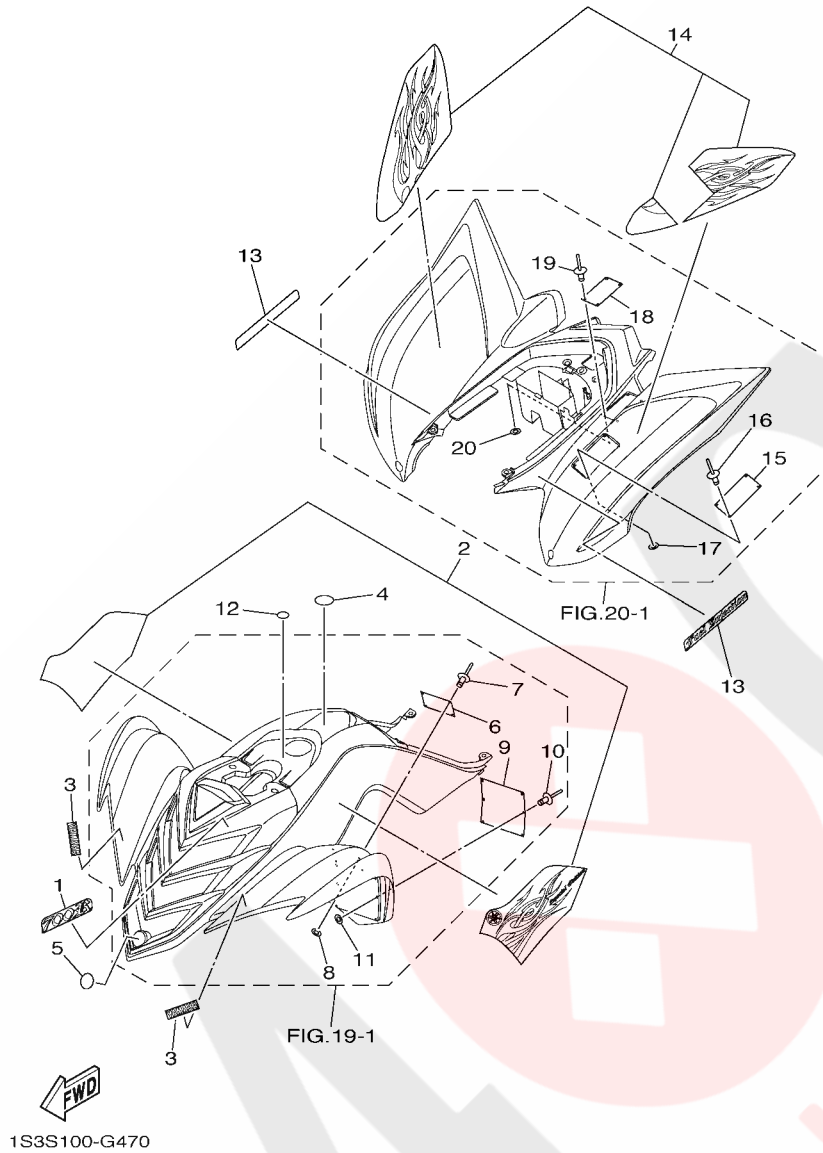


FIG. 47 EMBLEM & LABEL 3

| REF. NO. | PART NO. | DESCRIPTION | USA | CAN | EUR | OCE | REMARKS |
|----------|--------------|-------------------------|-----|-----|-----|-----|---------|
| 1 | 1S3-21565-80 | EMBLEM, 2 | | | 1 | | |
| 2 | 1S3-2159A-40 | GRAPHIC SET 1 | | | 1 | | |
| 3 | 3GD-2153E-10 | EMBLEM, YAMAHA | | | 2 | | |
| 4 | 5D3-2164B-00 | EMBLEM,3D | | | 1 | | |
| 5 | 5KM-2175B-00 | TUNING FORK MARK | | | 1 | | |
| 6 | 5FK-21697-00 | LABEL, CAUTION 2 | | | 1 | | |
| 7 | 90267-32004 | RIVET, BLIND | | | 4 | | |
| 8 | 90201-03008 | WASHER, PLATE | | | 4 | | |
| 9 | 5FK-21568-00 | LABEL, WARNING | | | 1 | | |
| 10 | 90267-32004 | RIVET, BLIND | | | 6 | | |
| 11 | 90201-03008 | WASHER, PLATE | | | 6 | | |
| 12 | 3ME-2415E-01 | LABEL, CAUTION | | | 1 | | |
| 13 | 1S3-2163G-20 | EMBLEM 1 | | | 2 | | |
| 14 | 1S3-2165A-B0 | GRAPHIC SET,REAR FENDER | | | 1 | | |
| 15 | 5LP-21696-M0 | LABEL, CAUTION | | | 1 | | |
| 16 | 90267-32004 | RIVET, BLIND | | | 4 | | |
| 17 | 90201-03008 | WASHER, PLATE | | | 4 | | |
| 18 | 5FK-2151H-00 | LABEL 5 | | | 1 | | |
| 19 | 90267-32004 | RIVET, BLIND | | | 4 | | |
| 20 | 90201-03008 | WASHER, PLATE | | | 4 | | |

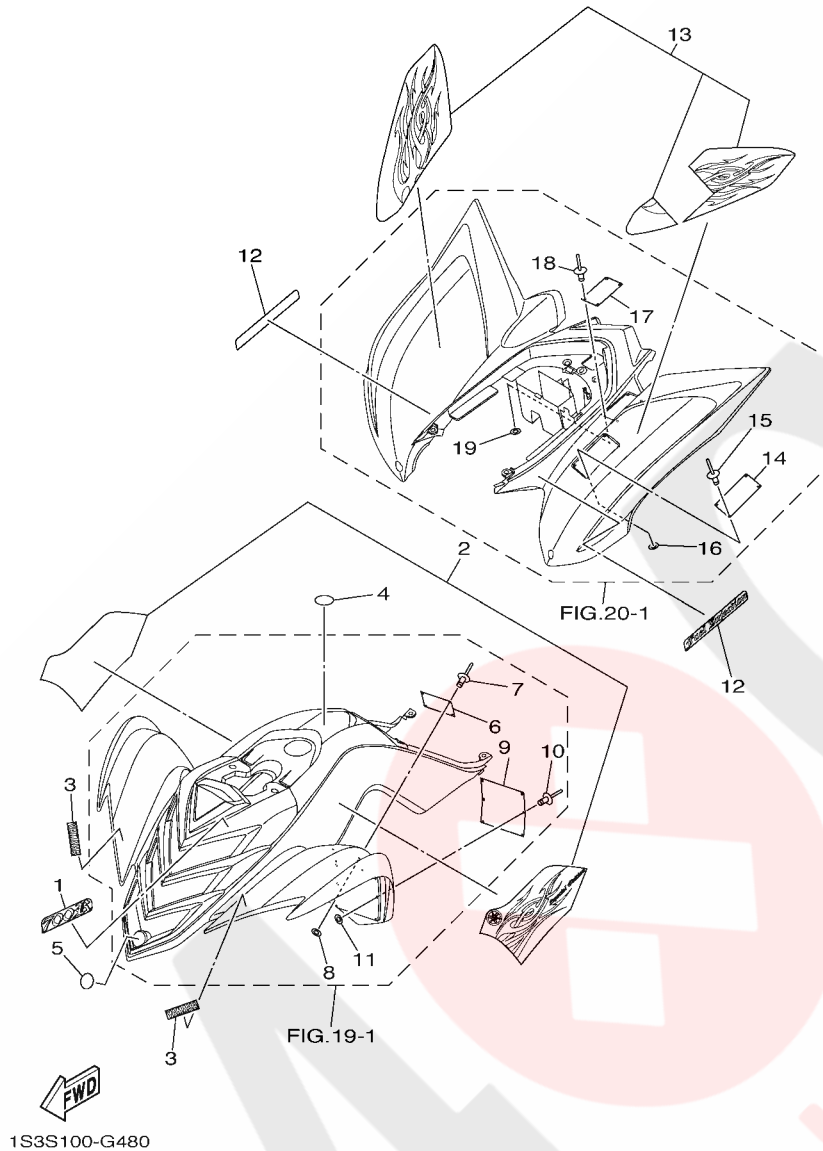
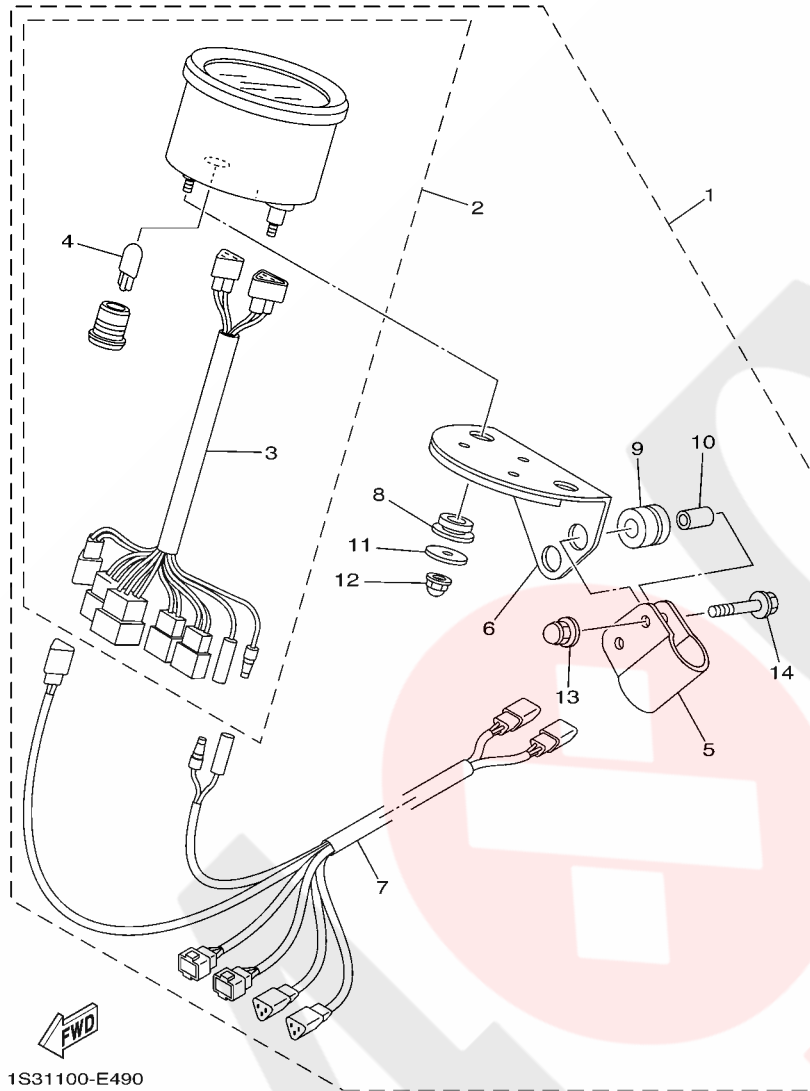


FIG. 48 EMBLEM & LABEL 4

| REF. NO. | PART NO. | DESCRIPTION | USA | CAN | EUR | OCE | REMARKS |
|----------|--------------|-------------------------|-----|-----|-----|-----|---------|
| 1 | 1S3-21565-80 | EMBLEM, 2 | | | | 1 | |
| 2 | 1S3-2159A-40 | GRAPHIC SET 1 | | | | 1 | |
| 3 | 3GD-2153E-10 | EMBLEM, YAMAHA | | | | 2 | |
| 4 | 5D3-2164B-00 | EMBLEM,3D | | | | 1 | |
| 5 | 5KM-2175B-00 | TUNING FORK MARK | | | | 1 | |
| 6 | 5FE-21697-01 | LABEL, CAUTION 2 | | | | 1 | ENGLISH |
| 7 | 90267-32004 | RIVET, BLIND | | | | 4 | |
| 8 | 90201-03008 | WASHER, PLATE | | | | 4 | |
| 9 | 5FE-21568-11 | LABEL, WARNING | | | | 1 | ENGLISH |
| 10 | 90267-32004 | RIVET, BLIND | | | | 6 | |
| 11 | 90201-03008 | WASHER, PLATE | | | | 6 | |
| 12 | 1S3-2163G-20 | EMBLEM 1 | | | | 2 | |
| 13 | 1S3-2165A-B0 | GRAPHIC SET,REAR FENDER | | | | 1 | |
| 14 | 5LP-21696-00 | LABEL, CAUTION | | | | 1 | ENGLISH |
| 15 | 90267-32004 | RIVET, BLIND | | | | 4 | |
| 16 | 90201-03008 | WASHER, PLATE | | | | 4 | |
| 17 | 5FE-2151H-01 | LABEL 5 | | | | 1 | ENGLISH |
| 18 | 90267-32004 | RIVET, BLIND | | | | 4 | |
| 19 | 90201-03008 | WASHER, PLATE | | | | 4 | |



1S31100-E490

FIG. 49 ALTERNATE FOR METER

| REF. NO. | PART NO. | DESCRIPTION | USA | CAN | EUR | OCE | REMARKS |
|----------|--------------|-----------------------|-----|-----|-----|-----|---------|
| 1 | 1S3-W0081-00 | SPEEDOMETER KIT | | 1 | | | AP |
| 2 | 1S3-83580-00 | .SPEEDOMETER ASSY | | 1 | | | |
| 3 | 5LP-83509-00 | ..SOCKET CORD ASSY | | 1 | | | |
| 4 | 4R0-83517-00 | ..BULB (12V-3.4W T10) | | 1 | | | |
| 5 | 5LP-8354B-00 | .BRACKET, METER | | 1 | | | |
| 6 | 5LP-8354C-00 | .BRACKET, METER | | 1 | | | |
| 7 | 1S3-82509-00 | .WIRE, SUB LEAD | | 1 | | | |
| 8 | 90480-13567 | .GROMMET | | 2 | | | |
| 9 | 90480-14182 | .GROMMET | | 2 | | | |
| 10 | 90387-06697 | .COLLAR | | 2 | | | |
| 11 | 90201-052E8 | .WASHER, PLATE | | 2 | | | |
| 12 | 90176-05054 | .NUT, CROWN | | 2 | | | |
| 13 | 90176-06055 | .NUT, CROWN | | 2 | | | |
| 14 | 95817-06030 | .BOLT, FLANGE | | 2 | | | |

NUMERICAL INDEX

| PART NO. | REF. NO. | PART NO. | REF. NO. | PART NO. | REF. NO. | PART NO. | REF. NO. | PART NO. | REF. NO. | PART NO. | REF. NO. |
|--------------|----------|--------------|----------|--------------|----------|--------------|----------|--------------|----------|--------------|----------|
| 1S3-11101-00 | 1 - 1 | 1S3-12413-00 | 7 - 2 | 8CC-14216-10 | 10 - 8 | 5VK-15590-00 | 14 - 7 | 1S3-18380-00 | 17 - 26 | 1S3-2163G-20 | 47 - 13 |
| 5VK-1111F-00 | 5 - 7 | 1S3-12420-00 | 6 - 2 | 5JW-14348-00 | 10 - 6 | 1S3-16111-00 | 15 - 1 | 5LP-18431-00 | 17 - 31 | | 48 - 12 |
| 4G0-11133-11 | 1 - 2 | 1S3-12421-00 | 6 - 7 | 1S3-14411-00 | 9 - 6 | 1S3-16150-00 | 15 - 5 | 1S3-18501-00 | 17 - 7 | 1S3-21643-10 | 20 - 30 |
| 1S3-11165-00 | 12 - 9 | 1S3-12422-00 | 6 - 4 | 1S3-14412-01 | 9 - 7 | 2JN-16154-00 | 15 - 6 | 1S3-18502-00 | 17 - 8 | 1S3-21644-10 | 20 - 32 |
| 1S3-11166-00 | 12 - 7 | 1S3-12428-00 | 6 - 12 | 31A-14419-00 | 9 - 20 | 5TA-16321-00 | 15 - 13 | 1S3-18503-00 | 17 - 9 | 5D3-2164B-00 | 45 - 4 |
| 3B4-11181-00 | 1 - 5 | 1S3-12436-00 | 6 - 1 | | 26 - 35 | 4X7-16325-00 | 15 - 11 | 1S3-18541-00 | 17 - 1 | | 46 - 4 |
| 1S3-11185-00 | 1 - 12 | 11H-12438-10 | 6 - 10 | 5KM-14419-00 | 9 - 18 | | 15 - 14 | 5VK-18699-00 | 17 - 15 | | 47 - 4 |
| 1S3-11186-00 | 1 - 15 | 1S3-1243A-00 | 10 - 23 | 31A-14435-00 | 9 - 19 | 5TG-16331-00 | 15 - 10 | 1S3-21101-18 | 18 - 1 | | 48 - 4 |
| 214-11198-01 | 8 - 13 | 1S3-1243E-00 | 10 - 24 | | 26 - 36 | 3LD-16340-01 | 15 - 22 | 1S3-21190-18 | 18 - 2 | 1S3-2164F-10 | 20 - 18 |
| 1S3-11310-00 | 2 - 1 | 1S3-12450-00 | 6 - 3 | 5GH-14436-00 | 9 - 16 | 132-16346-00 | 17 - 6 | 1S3-21274-00 | 43 - 3 | 5TG-2164G-20 | 20 - 20 |
| 1S3-1131E-00 | 1 - 18 | 5VK-12459-00 | 6 - 15 | 1S3-14451-00 | 9 - 9 | 1S3-16351-00 | 15 - 15 | 1S3-21315-10 | 18 - 4 | 1S3-2164H-10 | 20 - 19 |
| 1S3-11351-00 | 2 - 2 | 22W-12462-00 | 7 - 15 | 1S3-14453-00 | 9 - 8 | 4XV-16356-01 | 15 - 21 | 1S3-21316-10 | 18 - 8 | 1S3-2164J-10 | 20 - 21 |
| 1S3-11395-00 | 2 - 5 | 1S3-12465-00 | 7 - 19 | 10M-14457-00 | 9 - 21 | 1S3-16371-00 | 15 - 7 | 1S3-21317-10 | 18 - 9 | 1S3-2165A-B0 | 45 - 13 |
| 1S3-11400-00 | 3 - 1 | 1S3-12467-00 | 19 - 19 | 1S3-14457-00 | 9 - 22 | 5EB-16382-00 | 15 - 24 | 22F-2139X-00 | 43 - 29 | | 47 - 14 |
| 1S3-11401-09 | 3 - 2 | 1S3-12469-00 | 6 - 18 | 59V-14457-00 | 9 - 23 | 5JG-16383-00 | 15 - 9 | 1S3-2140A-00 | 18 - 33 | | 48 - 13 |
| 1S3-11422-00 | 3 - 3 | 1AA-12535-00 | 7 - 12 | 1S3-14458-00 | 9 - 10 | 5JG-16384-00 | 15 - 8 | | 20 - 2 | 1S3-2165A-C0 | 46 - 16 |
| 1S3-11454-00 | 3 - 17 | 1S3-12577-00 | 6 - 21 | 4X7-16385-01 | 9 - 11 | 4X7-16385-00 | 15 - 12 | 1S3-21471-00 | 18 - 15 | 5TG-21691-00 | 20 - 12 |
| 1S3-11464-00 | 3 - 18 | 1S3-12578-00 | 7 - 8 | 5VX-14503-00 | 10 - 12 | 1S3-17121-00 | 16 - 10 | 1S3-21513-00 | 19 - 10 | 5LP-21696-00 | 45 - 14 |
| 1S3-11531-00 | 3 - 16 | 1S3-12579-00 | 7 - 16 | 5YP-14562-00 | 10 - 22 | 1S3-17131-00 | 16 - 5 | 1S3-21514-00 | 19 - 11 | | 46 - 17 |
| 1S3-11536-00 | 3 - 15 | 583-13113-00 | 8 - 26 | 1S3-14611-00 | 11 - 1 | 1S3-17141-00 | 16 - 7 | 5FK-2151H-00 | 47 - 18 | | 48 - 14 |
| 1S3-11603-10 | 3 - 12 | 1S3-13132-00 | 8 - 33 | 1S3-14612-00 | 11 - 2 | 1S3-17151-00 | 16 - 2 | 5FE-2151H-01 | 45 - 17 | 5LP-21696-B0 | 46 - 18 |
| 1S3-11631-10 | 3 - 11 | 1S3-13160-00 | 10 - 9 | 3YF-14613-01 | 11 - 23 | 1S3-17211-00 | 16 - 25 | | 46 - 21 | 5LP-21696-M0 | 47 - 15 |
| 5VK-11633-00 | 3 - 13 | 1S3-13171-00 | 8 - 22 | 1S3-14621-01 | 11 - 3 | 1S3-17221-00 | 16 - 15 | | 48 - 17 | 5FK-21697-00 | 47 - 6 |
| 1S3-11651-00 | 3 - 6 | 5LP-13300-00 | 8 - 1 | 1S3-14628-00 | 11 - 6 | 1S3-17231-00 | 16 - 20 | 4WU-2151H-10 | 46 - 22 | 5FE-21697-01 | 45 - 6 |
| 1S3-11681-00 | 3 - 4 | 3AJ-13325-00 | 8 - 5 | 1S3-14710-10 | 11 - 11 | 1S3-17241-00 | 16 - 18 | 3GD-2153E-10 | 45 - 3 | | 46 - 6 |
| 5VK-12111-00 | 4 - 1 | 1S3-13327-00 | 8 - 8 | 3YF-14714-00 | 11 - 5 | 1S3-17243-00 | 16 - 38 | | 46 - 3 | | 48 - 6 |
| 1S3-12113-00 | 4 - 3 | 5LP-13329-00 | 8 - 2 | 5LP-14714-00 | 11 - 12 | 1S3-17251-00 | 16 - 23 | | 47 - 3 | 3JM-21697-10 | 46 - 7 |
| 3YF-12116-00 | 4 - 4 | 1S3-13356-00 | 8 - 7 | 1S3-14728-00 | 11 - 15 | 1S3-17253-00 | 16 - 28 | | 48 - 3 | 1S3-2171A-D0 | 19 - 17 |
| 3YF-12117-01 | 4 - 6 | 1S3-13410-00 | 8 - 10 | 1S3-14752-00 | 11 - 13 | 1S3-17285-00 | 16 - 26 | 1S3-21541-00 | 19 - 2 | 1S3-21750-00 | 21 - 8 |
| 4G0-12118-00 | 4 - 7 | 1S3-13416-00 | 8 - 29 | 5JW-14945-00 | 10 - 20 | 1S3-17401-00 | 16 - 1 | 1S3-21556-F0 | 19 - 14 | 5KM-2175B-00 | 45 - 5 |
| 5H0-12119-00 | 4 - 5 | 4X7-13440-01 | 8 - 14 | 1S3-15100-01 | 12 - 1 | 1S3-17402-00 | 16 - 13 | 1S3-21565-80 | 45 - 1 | | 46 - 5 |
| 5VK-12121-00 | 4 - 2 | 1S3-13447-00 | 8 - 15 | 1S3-15113-00 | 13 - 10 | 1S3-17430-00 | 16 - 33 | | 46 - 1 | | 47 - 5 |
| 5VK-12146-00 | 4 - 10 | 1S3-13464-10 | 21 - 24 | 1S3-15118-00 | 13 - 20 | 1S3-17432-00 | 16 - 34 | | 47 - 1 | | 48 - 5 |
| 5VK-12151-00 | 4 - 8 | 1S3-13465-00 | 21 - 19 | 1S3-15189-00 | 13 - 24 | 1S3-17466-00 | 13 - 12 | | 48 - 1 | 5LP-21761-01 | 21 - 9 |
| 5XT-12159-00 | 4 - 11 | 1S3-13493-00 | 10 - 13 | 4JT-15381-01 | 12 - 13 | 1S3-17471-00 | 16 - 42 | 5FK-21568-00 | 47 - 9 | 1S3-2177C-20 | 9 - 29 |
| 5VK-12161-00 | 4 - 9 | 1S3-13545-00 | 9 - 3 | 1S3-15383-00 | 12 - 11 | 1S3-18101-00 | 17 - 10 | 5FE-21568-01 | 45 - 9 | 5KM-21871-00 | 21 - 1 |
| 1S3-12170-01 | 5 - 1 | 8FP-13556-00 | 10 - 3 | 1S3-15411-00 | 13 - 1 | 1S3-18110-10 | 17 - 33 | | 46 - 10 | 1S3-21875-00 | 21 - 2 |
| 1S3-12176-00 | 5 - 9 | 5VK-13586-00 | 9 - 1 | 1S3-15421-00 | 13 - 11 | 5YT-18113-00 | 17 - 34 | 4WU-21568-10 | 46 - 11 | 1S3-22110-00 | 22 - 1 |
| 3TB-12210-00 | 5 - 16 | 1S3-13750-10 | 10 - 1 | 1S3-15431-00 | 13 - 14 | 1S3-18122-00 | 17 - 16 | 5FE-21568-11 | 48 - 9 | 4X7-22129-00 | 22 - 21 |
| 4DW-12213-00 | 5 - 18 | 5VK-13761-00 | 10 - 4 | 1S3-15441-00 | 13 - 18 | 1S3-18140-00 | 17 - 4 | 1S3-2159A-40 | 45 - 2 | 5YT-22129-00 | 22 - 42 |
| 5VK-12231-00 | 5 - 12 | 1S3-13907-02 | 26 - 18 | 1S3-15451-00 | 13 - 2 | 5JW-18144-00 | 17 - 5 | | 46 - 2 | 1S3-22141-00 | 22 - 25 |
| 1S3-12241-00 | 5 - 13 | 1S3-13971-00 | 26 - 1 | 1S3-15462-00 | 13 - 15 | 1S3-18172-00 | 17 - 20 | | 47 - 2 | 3YF-22149-00 | 22 - 22 |
| 1S3-12280-01 | 5 - 5 | 1S3-13971-10 | 26 - 1 | 1S3-1546C-00 | 13 - 23 | 3XJ-18173-10 | 17 - 23 | | 48 - 2 | 1S3-22151-00 | 22 - 28 |
| 5VK-12284-00 | 5 - 3 | 4BH-14134-00 | 10 - 14 | 1S3-15484-00 | 38 - 12 | 3XJ-18178-00 | 17 - 24 | 5TG-21621-00 | 20 - 11 | 1S3-22153-00 | 22 - 56 |
| 1S3-12290-00 | 5 - 4 | 3JC-14146-00 | 10 - 19 | 1S3-15515-00 | 14 - 1 | 3XJ-18182-00 | 17 - 17 | 1S3-2163A-00 | 20 - 9 | 5TG-22178-00 | 18 - 17 |
| 1S3-12405-00 | 7 - 11 | 4WV-14147-10 | 10 - 17 | 1S3-15517-00 | 14 - 4 | 3XJ-18184-00 | 17 - 19 | 1S3-2163E-00 | 20 - 10 | 1S3-2217A-00 | 22 - 30 |
| 1S3-1240A-00 | 7 - 10 | 1UY-14155-00 | 10 - 18 | 1VJ-15522-00 | 14 - 3 | 4EW-18185-00 | 17 - 3 | 1S3-2163G-20 | 45 - 12 | 1S3-2217F-00 | 22 - 40 |
| 5VK-12410-00 | 7 - 1 | 1S3-14161-00 | 10 - 15 | 1S3-15560-00 | 14 - 5 | 5LP-18337-01 | 17 - 27 | | 46 - 15 | 1S3-22184-00 | 22 - 20 |

NUMERICAL INDEX

| PART NO. | REF. NO. | PART NO. | REF. NO. | PART NO. | REF. NO. | PART NO. | REF. NO. | PART NO. | REF. NO. | PART NO. | REF. NO. |
|--------------|----------|--------------|----------|--------------|----------|--------------|----------|--------------|----------|--------------|----------|
| 1S3-2219X-00 | 22 - 54 | 1S3-24452-00 | 26 - 25 | 2GU-25866-00 | 33 - 17 | 5LP-26241-00 | 32 - 2 | 5GJ-82100-01 | 43 - 18 | 1S3-8413J-00 | 39 - 11 |
| 1S3-22210-C0 | 23 - 1 | 1S3-24486-00 | 26 - 20 | 5LP-25867-00 | 33 - 6 | 4KB-26250-20 | 32 - 4 | 1S3-82115-00 | 43 - 32 | 5TG-84140-01 | 39 - 4 |
| 1S3-22210-D0 | 23 - 1 | 1S3-24491-10 | 26 - 19 | 1S3-25871-10 | 33 - 15 | 4KB-26256-00 | 32 - 8 | 1S3-82116-10 | 43 - 33 | 1S3-84165-00 | 39 - 3 |
| 1S3-22210-E0 | 23 - 1 | 2FJ-24610-00 | 26 - 4 | 1S3-25872-10 | 33 - 13 | 4KB-26258-00 | 32 - 10 | 5TG-82121-10 | 43 - 30 | 1S3-84166-00 | 39 - 9 |
| 4AA-22259-40 | 23 - 2 | 1S3-24710-50 | 27 - 1 | 5TG-25873-10 | 33 - 14 | 1UY-26259-00 | 33 - 12 | 1S3-82122-00 | 43 - 28 | 5TG-84310-12 | 39 - 8 |
| 4AA-22259-70 | 23 - 2 | 1S3-24723-00 | 27 - 6 | 1S3-25874-10 | 35 - 26 | 1NV-2625G-01 | 32 - 6 | 1S3-82123-00 | 43 - 26 | 4KB-84314-01 | 39 - 1 |
| 4AA-22259-80 | 23 - 2 | 509-24724-00 | 27 - 5 | 5TG-25875-00 | 25 - 32 | 4KB-2628F-20 | 32 - 5 | 1S3-82128-00 | 43 - 24 | | 39 - 7 |
| 1S3-22417-00 | 22 - 23 | 1S3-24731-50 | 27 - 2 | 5TG-25876-00 | 25 - 33 | 4KB-2628G-00 | 32 - 13 | 1S3-82129-00 | 43 - 27 | 5TG-84340-01 | 39 - 10 |
| 1S3-22475-00 | 22 - 16 | 22W-24741-00 | 27 - 4 | 1S3-25886-00 | 22 - 59 | 1S3-26292-00 | 35 - 18 | 1S3-8212B-00 | 43 - 19 | 1S3-84703-10 | 41 - 10 |
| 1S3-23147-01 | 22 - 6 | 1S3-25111-00 | 28 - 7 | 5JJ-25894-00 | 35 - 14 | 1NV-26304-00 | 32 - 12 | 116-82131-00 | 18 - 36 | 1S3-84710-00 | 40 - 1 |
| 1S3-23317-00 | 22 - 60 | 5LP-25117-00 | 28 - 9 | 1S3-25895-00 | 35 - 21 | 1S3-26311-10 | 32 - 20 | 2GH-82151-00 | 43 - 36 | | 41 - 1 |
| 1S3-23350-A0 | 25 - 23 | 1S3-25127-00 | 28 - 16 | 5UG-25898-00 | 31 - 23 | 4KB-2632G-00 | 32 - 7 | 5JJ-82151-10 | 43 - 45 | 1S3-84716-40 | 40 - 4 |
| 1S3-23350-B0 | 25 - 23 | 5TG-2514A-00 | 29 - 38 | 5MV-2589F-00 | 33 - 11 | 1S3-26335-00 | 32 - 21 | 5JJ-82151-30 | 43 - 46 | | 41 - 4 |
| 1S3-23350-C0 | 25 - 23 | 5LP-25180-20 | 28 - 1 | 4NK-2589H-00 | 33 - 5 | 1S3-26341-00 | 32 - 30 | 5GT-82180-00 | 43 - 43 | 1S3-84736-00 | 40 - 9 |
| 1S3-23501-00 | 25 - 27 | | 28 - 4 | 3JD-25917-00 | 29 - 7 | 31A-26372-00 | 32 - 29 | 3TB-82310-00 | 43 - 5 | | 41 - 9 |
| 1S3-23502-00 | 25 - 28 | 1S3-25311-00 | 22 - 2 | | 29 - 21 | 1S3-2637E-10 | 32 - 23 | 5VK-82370-00 | 43 - 7 | 1S3-84751-10 | 41 - 12 |
| 5YT-23517-00 | 25 - 13 | 1S3-25317-00 | 22 - 5 | | 31 - 21 | 1NV-26398-00 | 32 - 15 | 1C7-82380-00 | 10 - 5 | 2EK-85111-00 | 44 - 9 |
| | 25 - 14 | 1S3-25381-10 | 30 - 18 | 3JD-25919-00 | 29 - 8 | 371-27114-00 | 27 - 3 | 1S3-82509-00 | 49 - 7 | 1S3-85112-10 | 44 - 7 |
| 5TG-23540-30 | 25 - 7 | 1S3-25383-20 | 30 - 7 | | 29 - 22 | 1S3-27211-10 | 34 - 1 | 5LP-82510-00 | 43 - 38 | 1S3-85122-10 | 44 - 8 |
| 5TG-23550-30 | 25 - 8 | 1S3-25386-00 | 30 - 14 | 4GY-25919-50 | 31 - 11 | 4SS-27218-00 | 35 - 8 | 1S3-82530-11 | 43 - 47 | 3Y6-85130-02 | 44 - 1 |
| 5TG-23570-30 | 25 - 1 | 5LP-25390-20 | 30 - 1 | 5GH-25924-00 | 31 - 14 | 2YK-27222-00 | 35 - 9 | 3GB-82540-01 | 43 - 9 | 449-85131-02 | 44 - 4 |
| 5LP-23579-00 | 25 - 2 | | 30 - 4 | 5TG-25924-00 | 29 - 15 | 1S3-27411-10 | 34 - 5 | 5LP-82540-01 | 43 - 8 | 1S3-85370-00 | 43 - 58 |
| | 25 - 5 | 1S3-25415-00 | 31 - 7 | | 29 - 29 | 1S3-27421-10 | 34 - 8 | 1S3-82541-00 | 43 - 34 | 1S3-85546-00 | 43 - 4 |
| 5TG-23580-30 | 25 - 4 | 5TG-25438-10 | 30 - 15 | 3JD-25926-00 | 29 - 12 | 1S3-27453-00 | 35 - 24 | 5GT-82560-00 | 43 - 44 | 5PS-85790-00 | 43 - 11 |
| 1UY-23812-00 | 24 - 13 | 5D3-25689-00 | 42 - 13 | | 29 - 26 | 5TG-28100-10 | 18 - 34 | 3HN-82569-00 | 43 - 39 | 8GL-85885-00 | 10 - 2 |
| 1S3-23813-10 | 24 - 1 | 1S3-25712-00 | 31 - 1 | | 31 - 20 | 1NV-2811A-01 | 18 - 35 | 5PS-82576-01 | 43 - 51 | 5VU-85886-00 | 9 - 17 |
| 8K1-23814-00 | 24 - 11 | 1S3-25721-00 | 22 - 10 | 1UY-25926-51 | 29 - 10 | 5LP-2819R-00 | 45 - 20 | 3HN-82579-00 | 43 - 40 | 1S3-8591A-00 | 43 - 1 |
| 5TG-23816-10 | 24 - 2 | 1S3-25726-00 | 42 - 14 | | 29 - 24 | 1S3-2845N-00 | 36 - 1 | 1S3-82590-10 | 43 - 42 | 5D3-W0041-00 | 33 - 2 |
| 1S3-23831-20 | 24 - 3 | 1S3-25727-00 | 42 - 12 | | 31 - 17 | 1S3-2845R-30 | 36 - 3 | 5YT-82910-10 | 42 - 2 | 1S3-W0042-50 | 35 - 2 |
| 1S3-23841-20 | 24 - 4 | 1S3-2580E-00 | 35 - 1 | 1UY-25937-51 | 29 - 6 | 1S3-2845R-40 | 36 - 3 | 5YT-82911-10 | 42 - 3 | 1S3-W0045-00 | 29 - 14 |
| 1S3-23845-20 | 24 - 5 | 1S3-2580T-01 | 29 - 3 | | 29 - 20 | 1S3-2845R-50 | 36 - 3 | 4V4-82913-00 | 32 - 17 | 1S3-W0045-10 | 29 - 28 |
| 1UY-23868-01 | 24 - 15 | 1S3-2580U-01 | 29 - 17 | | 31 - 19 | 1S3-81410-00 | 37 - 1 | 5TG-82913-00 | 42 - 7 | 1S3-W0046-01 | 31 - 13 |
| 5GT-23872-00 | 18 - 25 | 1S3-2580V-11 | 31 - 8 | 1UY-25938-51 | 29 - 11 | 1S3-81450-00 | 37 - 2 | 5KM-82917-00 | 42 - 9 | 3GD-W0047-00 | 31 - 10 |
| 1UY-23894-01 | 24 - 17 | 5UG-25827-00 | 31 - 15 | | 29 - 25 | 3AJ-81801-00 | 38 - 2 | 5LP-83509-00 | 49 - 3 | 3LC-W0047-50 | 29 - 5 |
| 1S3-24110-00 | 26 - 3 | 1S3-25828-00 | 29 - 16 | | 31 - 18 | 3KS-81809-00 | 38 - 5 | 4R0-83517-00 | 49 - 4 | | 29 - 19 |
| 1S3-24110-20 | 26 - 3 | | 29 - 30 | 3JD-25961-00 | 29 - 13 | 1S3-81815-00 | 38 - 8 | 1S3-83530-00 | 43 - 41 | 1UY-W0048-50 | 29 - 9 |
| 4EW-2412F-00 | 26 - 5 | 5GH-25828-00 | 31 - 16 | | 29 - 27 | 3AJ-81826-00 | 38 - 7 | 5LP-8354B-00 | 49 - 5 | | 29 - 23 |
| 1S3-2413X-00 | 26 - 31 | 1AE-2582A-00 | 35 - 3 | | 31 - 22 | 4XV-8182A-00 | 38 - 10 | 5LP-8354C-00 | 49 - 6 | | 31 - 12 |
| 1S3-2414H-00 | 26 - 16 | 3GD-2582T-10 | 29 - 1 | 1S3-25972-00 | 31 - 27 | 11H-81844-00 | 38 - 6 | 1S3-83580-00 | 49 - 2 | 5TG-W0057-00 | 29 - 4 |
| 1S3-2414J-00 | 26 - 29 | 1S3-2582W-10 | 31 - 2 | 1S3-25973-00 | 31 - 26 | 1FK-81847-00 | 38 - 3 | 1S3-83755-00 | 43 - 13 | | 29 - 18 |
| 3ME-2415E-01 | 47 - 12 | 5MV-25833-00 | 33 - 7 | 1UY-25974-51 | 31 - 25 | 4NK-81850-00 | 38 - 4 | 2HT-83912-00 | 42 - 4 | 5UG-W0057-00 | 31 - 9 |
| 4SH-2416E-00 | 46 - 14 | 5UG-25833-00 | 31 - 28 | 5TG-25977-50 | 31 - 29 | 4G0-81871-00 | 38 - 9 | 5D3-83922-00 | 33 - 8 | 1S3-W0081-00 | 49 - 1 |
| 1S3-2416F-00 | 26 - 17 | 5D3-2583T-00 | 33 - 1 | 1S3-25978-00 | 31 - 24 | 1S3-81890-00 | 38 - 1 | 5TG-83923-00 | 42 - 15 | 1S3-W2151-40 | 19 - 1 |
| 1S3-24181-00 | 26 - 24 | 5D3-25852-00 | 33 - 4 | 1S3-26111-20 | 32 - 1 | 1S3-81940-00 | 43 - 35 | 437-83936-01 | 32 - 16 | 1S3-W215B-40 | 19 - 1 |
| 1S3-24182-00 | 26 - 30 | 3XP-25852-50 | 35 - 15 | 1S3-26113-00 | 32 - 24 | 5DM-81950-00 | 43 - 50 | 1S3-83973-00 | 42 - 1 | 1S3-W215C-40 | 19 - 1 |
| 1S3-24183-00 | 26 - 33 | 2VN-25854-00 | 35 - 16 | 1S3-26124-00 | 32 - 3 | 5EA-81950-20 | 43 - 49 | 5D3-83980-00 | 33 - 10 | 1S3-W215E-40 | 19 - 1 |
| 1S3-24278-00 | 26 - 22 | 4TT-25854-00 | 33 - 3 | 1NV-26129-00 | 32 - 14 | 5VK-81950-30 | 43 - 48 | 5TG-84110-12 | 39 - 2 | 1S3-W2161-40 | 20 - 1 |
| 1S3-24279-00 | 26 - 23 | 2VN-25855-00 | 35 - 17 | 1S3-26150-10 | 32 - 22 | 5BN-81960-00 | 43 - 16 | 1S3-8413J-00 | 39 - 5 | 1S3-W216B-40 | 20 - 1 |

NUMERICAL INDEX

| PART NO. | REF. NO. | PART NO. | REF. NO. | PART NO. | REF. NO. | PART NO. | REF. NO. | PART NO. | REF. NO. | PART NO. | REF. NO. |
|--------------|----------|-------------|----------|-------------|----------|-------------|----------|-------------|----------|-------------|----------|
| 1S3-W216C-40 | 20 - 1 | 90111-06038 | 20 - 7 | 90201-03008 | 45 - 8 | 90201-10614 | 15 - 30 | 90267-32004 | 48 - 10 | 90387-101R3 | 25 - 11 |
| 90101-06664 | 17 - 25 | 90113-06055 | 31 - 6 | | 45 - 11 | 90201-12030 | 22 - 37 | | 48 - 15 | 90387-12010 | 22 - 48 |
| 90105-06078 | 5 - 8 | 90114-10006 | 28 - 8 | | 45 - 16 | 90201-12032 | 22 - 52 | | 48 - 18 | 90387-12020 | 23 - 7 |
| 90105-06081 | 12 - 10 | 90114-10013 | 30 - 8 | | 45 - 19 | | 23 - 5 | 90267-47187 | 22 - 57 | 90387-12021 | 22 - 33 |
| 90105-06082 | 8 - 11 | 90119-06137 | 35 - 19 | | 46 - 9 | 90201-12040 | 17 - 14 | 90267-48138 | 9 - 14 | 90387-12028 | 22 - 51 |
| | 12 - 12 | 90119-06152 | 21 - 5 | | 46 - 13 | 90201-12541 | 6 - 11 | 90269-05055 | 26 - 32 | | 23 - 4 |
| 90105-06084 | 9 - 27 | 90119-10023 | 2 - 3 | | 46 - 20 | 90201-12575 | 17 - 29 | 90269-06002 | 19 - 18 | 90387-125K2 | 22 - 43 |
| | 19 - 21 | 90122-06010 | 9 - 13 | | 46 - 24 | 90201-14021 | 24 - 19 | | 19 - 20 | 90387-127W0 | 23 - 11 |
| | 20 - 3 | 90123-08046 | 42 - 10 | | 47 - 8 | 90201-14586 | 29 - 35 | | 43 - 31 | 90387-1504G | 16 - 37 |
| | 43 - 20 | 90149-05018 | 8 - 20 | | 47 - 11 | 90201-152P4 | 16 - 36 | 90269-07011 | 26 - 28 | 90387-150R1 | 29 - 34 |
| 90105-06142 | 17 - 35 | 90149-05299 | 19 - 15 | | 47 - 17 | 90201-16013 | 3 - 8 | 90280-05001 | 3 - 7 | 90387-16014 | 22 - 11 |
| 90105-07004 | 5 - 6 | 90149-06074 | 12 - 14 | | 47 - 20 | 90201-16018 | 22 - 26 | 90282-05005 | 3 - 22 | 90387-17009 | 12 - 3 |
| | 5 - 10 | 90149-08018 | 14 - 8 | | 48 - 8 | 90201-16023 | 30 - 11 | 90282-07003 | 15 - 2 | 90387-20005 | 29 - 32 |
| 90105-08104 | 31 - 30 | 90149-10034 | 18 - 3 | | 48 - 11 | 90201-177G4 | 17 - 13 | 90387-05008 | 26 - 26 | 90387-20021 | 16 - 27 |
| 90105-08142 | 11 - 20 | 90154-05013 | 20 - 13 | | 48 - 16 | 90201-20022 | 29 - 33 | 90338-07007 | 42 - 17 | 90387-22006 | 16 - 6 |
| | 18 - 10 | 90154-06014 | 29 - 39 | | 48 - 19 | 90201-20276 | 16 - 29 | 90338-20183 | 18 - 28 | 90387-26004 | 16 - 24 |
| | 36 - 4 | 90159-06029 | 15 - 18 | 90201-04027 | 22 - 58 | 90201-266F6 | 34 - 3 | 90338-23004 | 18 - 29 | 90387-26005 | 16 - 19 |
| 90105-08184 | 29 - 31 | 90170-06128 | 4 - 12 | 90201-04028 | 9 - 15 | 90201-286K9 | 14 - 2 | | 22 - 24 | 90387-28008 | 16 - 14 |
| 90105-10131 | 25 - 24 | 90170-12054 | 24 - 7 | 90201-04030 | 43 - 54 | 90208-20001 | 15 - 19 | 90338-24260 | 18 - 27 | 90387-28009 | 16 - 41 |
| 90105-10132 | 25 - 16 | 90170-12055 | 24 - 6 | 90201-05015 | 11 - 8 | 90208-37001 | 31 - 5 | 90338-26004 | 18 - 26 | 90401-08004 | 1 - 19 |
| 90105-10135 | 25 - 15 | 90170-16326 | 3 - 23 | | 11 - 17 | 90209-06096 | 9 - 12 | 90340-14003 | 13 - 5 | 90401-10015 | 33 - 18 |
| 90105-10294 | 34 - 6 | 90170-20274 | 15 - 4 | 90201-05019 | 11 - 10 | 90209-10229 | 24 - 9 | 90340-14029 | 8 - 12 | | 35 - 27 |
| | 34 - 9 | 90171-10001 | 24 - 8 | 90201-05025 | 40 - 3 | | 24 - 23 | 90340-36001 | 13 - 7 | 90401-10024 | 8 - 23 |
| 90105-12038 | 23 - 3 | | 24 - 22 | | 41 - 3 | | 25 - 29 | 90380-10002 | 14 - 6 | 90430-05126 | 8 - 21 |
| 90109-06169 | 8 - 18 | | 25 - 30 | 90201-052E8 | 49 - 11 | 90209-22008 | 16 - 3 | 90380-22111 | 22 - 18 | 90430-06014 | 6 - 13 |
| 90109-06172 | 19 - 3 | 90171-14002 | 29 - 36 | 90201-06033 | 26 - 12 | 90209-26008 | 16 - 16 | 90381-15088 | 25 - 9 | | 7 - 3 |
| | 22 - 29 | 90171-16002 | 30 - 12 | 90201-06035 | 11 - 9 | 90214-22002 | 16 - 9 | | 25 - 10 | 90430-08119 | 1 - 20 |
| 90109-06198 | 18 - 16 | 90176-05054 | 49 - 12 | 90201-06076 | 20 - 17 | 90214-22003 | 16 - 8 | 90383-20032 | 22 - 41 | 90430-10148 | 43 - 10 |
| 90109-06199 | 22 - 55 | 90176-06055 | 49 - 13 | 90201-06078 | 19 - 9 | 90214-26002 | 16 - 21 | 90383-20033 | 22 - 31 | 90430-10188 | 8 - 24 |
| 90109-06798 | 42 - 5 | 90179-08148 | 42 - 11 | | 39 - 16 | 90214-26003 | 16 - 22 | 90387-06098 | 26 - 13 | 90430-12202 | 43 - 12 |
| 90109-067F4 | 25 - 34 | 90179-16004 | 3 - 9 | 90201-06089 | 19 - 13 | 90215-16221 | 3 - 24 | 90387-06136 | 19 - 7 | 90430-14043 | 8 - 34 |
| 90109-08076 | 31 - 3 | 90179-20007 | 15 - 20 | 90201-06090 | 26 - 9 | 90215-20006 | 15 - 3 | 90387-06146 | 19 - 22 | 90445-083J4 | 26 - 15 |
| 90109-08082 | 29 - 2 | 90179-22011 | 16 - 47 | 90201-06093 | 20 - 24 | 90215-25003 | 16 - 46 | 90387-06153 | 20 - 4 | 90445-09777 | 21 - 4 |
| 90109-08100 | 36 - 2 | 90179-36003 | 31 - 4 | 90201-063F3 | 22 - 36 | 90240-08124 | 35 - 11 | | 20 - 6 | 90445-09M30 | 21 - 3 |
| 90109-09002 | 1 - 7 | 90183-05008 | 19 - 16 | 90201-08043 | 18 - 19 | 90252-03001 | 30 - 13 | | 40 - 7 | 90445-11034 | 21 - 18 |
| 90109-09003 | 1 - 6 | 90185-10011 | 18 - 12 | 90201-08048 | 11 - 21 | 90267-32004 | 45 - 7 | | 41 - 7 | 90445-16007 | 26 - 34 |
| 90109-09005 | 1 - 8 | | 18 - 14 | 90201-08053 | 20 - 26 | | 45 - 10 | | 43 - 22 | 90450-22017 | 21 - 23 |
| 90109-10013 | 30 - 16 | | 30 - 17 | 90201-08060 | 31 - 31 | | 45 - 15 | 90387-06166 | 7 - 20 | 90450-32015 | 6 - 22 |
| 90109-10018 | 22 - 34 | 90185-10012 | 22 - 39 | 90201-08083 | 35 - 12 | | 45 - 18 | 90387-06168 | 43 - 23 | | 7 - 9 |
| 90109-10019 | 23 - 8 | | 22 - 47 | 90201-082A6 | 21 - 12 | | 46 - 8 | 90387-06204 | 20 - 23 | | 7 - 17 |
| 90109-10020 | 22 - 45 | | 23 - 10 | 90201-10034 | 22 - 38 | | 46 - 12 | 90387-06205 | 21 - 14 | 90450-59006 | 9 - 26 |
| 90109-12009 | 22 - 49 | | 25 - 19 | 90201-10035 | 22 - 46 | | 46 - 19 | 90387-06697 | 49 - 10 | 90450-72003 | 9 - 2 |
| 90110-05030 | 8 - 9 | | 25 - 20 | | 25 - 26 | | 46 - 23 | 90387-06M17 | 26 - 8 | 90460-75020 | 9 - 25 |
| 90110-05031 | 13 - 9 | | 25 - 25 | 90201-10036 | 23 - 9 | | 47 - 7 | 90387-07598 | 39 - 14 | 90461-10004 | 43 - 15 |
| | 37 - 4 | 90185-12007 | 22 - 53 | 90201-10037 | 25 - 17 | | 47 - 10 | 90387-08064 | 18 - 20 | 90461-10011 | 13 - 22 |
| 90110-06182 | 13 - 21 | | 23 - 6 | | 25 - 18 | | 47 - 16 | 90387-08073 | 9 - 28 | | 16 - 43 |
| 90110-06202 | 19 - 5 | 90185-14009 | 24 - 20 | 90201-10118 | 33 - 19 | | 47 - 19 | 90387-090R0 | 24 - 18 | 90462-08046 | 13 - 26 |
| 90110-12001 | 22 - 12 | 90185-16002 | 22 - 27 | | 35 - 28 | | 48 - 7 | 90387-100Y6 | 25 - 12 | 90464-12036 | 18 - 30 |

NUMERICAL INDEX

| PART NO. | REF. NO. | PART NO. | REF. NO. | PART NO. | REF. NO. | PART NO. | REF. NO. | PART NO. | REF. NO. | PART NO. | REF. NO. |
|-------------|----------|-------------|----------|-------------|----------|-------------|----------|-------------|----------|-------------|----------|
| 90464-12045 | 18 - 32 | 91312-06010 | 11 - 14 | 93101-25106 | 3 - 21 | 93306-30810 | 3 - 10 | 95022-06030 | 13 - 17 | 95822-06020 | 21 - 15 |
| 90464-13073 | 32 - 27 | 91312-06012 | 8 - 25 | 93102-12106 | 17 - 32 | 93306-90509 | 17 - 2 | 95022-06045 | 7 - 6 | 95822-06025 | 33 - 16 |
| 90464-13077 | 43 - 55 | 91312-06016 | 21 - 26 | 93102-12224 | 17 - 22 | 93306-90804 | 22 - 3 | 95022-06050 | 6 - 23 | 95822-08016 | 20 - 29 |
| 90464-14004 | 26 - 2 | | 43 - 14 | 93102-15212 | 15 - 28 | 93306-90805 | 22 - 7 | 95022-06070 | 12 - 5 | 95822-08020 | 20 - 27 |
| 90464-15157 | 40 - 8 | 91312-06020 | 6 - 19 | 93102-22216 | 28 - 13 | 93310-84017 | 3 - 5 | 95022-06090 | 12 - 6 | 95822-08030 | 24 - 12 |
| | 41 - 8 | 91312-06025 | 5 - 17 | 93102-25081 | 18 - 23 | 93315-31502 | 15 - 29 | 95022-06110 | 6 - 24 | 97002-05016 | 42 - 8 |
| 90464-15195 | 43 - 56 | | 13 - 13 | 93102-25099 | 18 - 24 | 93317-11020 | 15 - 27 | 95302-05600 | 44 - 3 | 97002-05020 | 43 - 6 |
| 90464-16013 | 43 - 61 | 91312-06030 | 1 - 9 | 93102-35393 | 16 - 40 | 93317-22237 | 22 - 17 | 95302-06800 | 26 - 21 | 97017-06010 | 7 - 13 |
| 90464-20213 | 18 - 31 | 91312-06035 | 8 - 4 | 93104-09025 | 32 - 11 | 93410-67085 | 22 - 13 | 95602-06100 | 42 - 6 | 97022-06014 | 16 - 44 |
| 90464-23041 | 21 - 7 | 91312-06040 | 2 - 4 | 93105-26026 | 28 - 12 | 93430-23054 | 34 - 2 | 95602-06200 | 19 - 4 | 97022-06016 | 5 - 14 |
| | 32 - 28 | 91312-06095 | 8 - 19 | 93106-22019 | 22 - 19 | 93440-10085 | 1 - 3 | | 20 - 8 | 97022-06025 | 20 - 22 |
| 90464-66001 | 26 - 27 | 91314-08035 | 11 - 4 | 93106-46003 | 22 - 4 | 93440-15012 | 16 - 35 | | 20 - 16 | 97022-08060 | 24 - 16 |
| 90465-10098 | 43 - 62 | | 11 - 19 | 93109-20076 | 22 - 32 | 93440-25084 | 16 - 4 | | 20 - 25 | 97702-50016 | 40 - 2 |
| 90465-13M11 | 43 - 57 | 91314-08040 | 22 - 14 | 93112-31011 | 24 - 14 | 93440-28062 | 16 - 17 | 95602-08200 | 20 - 28 | | 41 - 2 |
| 90467-08003 | 21 - 6 | 91401-16012 | 35 - 13 | 93210-07135 | 8 - 17 | 93450-24154 | 3 - 14 | 95602-10200 | 18 - 7 | 97707-30510 | 39 - 6 |
| 90467-09006 | 10 - 21 | 91402-20020 | 24 - 10 | | 12 - 16 | 93503-08007 | 8 - 27 | 95604-06100 | 33 - 9 | | 39 - 12 |
| 90467-10008 | 21 - 17 | | 24 - 24 | 93210-10197 | 8 - 30 | 93603-16219 | 6 - 14 | 95607-05100 | 32 - 9 | 98502-05018 | 32 - 25 |
| 90467-11044 | 35 - 22 | | 25 - 31 | | 21 - 21 | 93608-30002 | 17 - 21 | 95612-08625 | 1 - 4 | 98502-05020 | 32 - 18 |
| 90467-11090 | 10 - 25 | 91402-30025 | 29 - 37 | 93210-13361 | 8 - 3 | 93612-16254 | 1 - 11 | 95702-04500 | 43 - 53 | 98506-04012 | 35 - 5 |
| | 10 - 26 | 92012-06010 | 41 - 13 | 93210-14369 | 13 - 6 | 93700-06004 | 22 - 35 | 95702-06500 | 43 - 60 | 98507-05012 | 10 - 11 |
| 90467-13062 | 6 - 17 | | 43 - 2 | 93210-15620 | 35 - 4 | | 22 - 44 | 95702-08500 | 11 - 22 | 98507-06010 | 10 - 7 |
| 90467-14057 | 35 - 23 | 92012-06012 | 42 - 16 | 93210-16629 | 21 - 25 | | 22 - 50 | 95702-10500 | 28 - 14 | 98507-06012 | 10 - 10 |
| 90467-140A4 | 12 - 8 | 92012-06025 | 20 - 14 | 93210-207A0 | 13 - 25 | | 25 - 21 | | 30 - 9 | 98702-06025 | 26 - 6 |
| 90467-15012 | 9 - 5 | 92012-06030 | 37 - 3 | 93210-21190 | 21 - 10 | | 25 - 22 | 95802-06010 | 40 - 5 | 98902-06010 | 11 - 16 |
| 90467-160A4 | 9 - 4 | 92012-08016 | 20 - 33 | 93210-25001 | 16 - 39 | 9383G-14231 | 16 - 45 | | 41 - 5 | 99001-07600 | 15 - 26 |
| 90467-220A1 | 9 - 24 | | 35 - 25 | 93210-33786 | 6 - 20 | 93900-00022 | 30 - 3 | | 41 - 11 | 99001-10600 | 17 - 30 |
| 90468-16191 | 24 - 21 | 92012-08020 | 20 - 31 | 93210-357A3 | 13 - 8 | | 30 - 6 | 95802-06016 | 43 - 59 | 99009-10400 | 15 - 31 |
| 90480-01017 | 26 - 7 | 92012-08035 | 20 - 34 | 93210-36769 | 30 - 19 | 93900-00030 | 28 - 3 | 95802-06020 | 43 - 25 | 99009-11400 | 8 - 6 |
| 90480-13459 | 21 - 13 | | 35 - 10 | 93210-41042 | 7 - 7 | | 28 - 6 | 95802-06025 | 43 - 17 | 99009-12400 | 6 - 16 |
| 90480-13567 | 49 - 8 | 92014-06016 | 42 - 18 | 93210-61750 | 6 - 5 | 94107-10015 | 28 - 2 | 95802-06030 | 7 - 21 | 99009-17400 | 17 - 12 |
| 90480-14101 | 40 - 6 | 92902-05100 | 32 - 19 | 93210-64297 | 8 - 16 | | 28 - 5 | | 43 - 21 | 99009-20400 | 16 - 30 |
| | 41 - 6 | | 44 - 2 | 93210-66001 | 22 - 8 | 94110-09012 | 30 - 2 | 95802-06035 | 26 - 10 | 99009-30400 | 25 - 3 |
| 90480-14102 | 19 - 6 | | 44 - 6 | 93210-71001 | 22 - 9 | | 30 - 5 | | 26 - 14 | | 25 - 6 |
| | 39 - 13 | | 44 - 11 | 93210-78544 | 1 - 16 | 94582-13098 | 30 - 20 | 95802-08016 | 21 - 11 | 99530-08016 | 12 - 15 |
| 90480-14182 | 49 - 9 | 92902-05200 | 44 - 5 | 93210-96601 | 1 - 13 | 94591-57126 | 5 - 11 | 95812-06012 | 17 - 28 | 99530-10114 | 8 - 31 |
| 90480-15009 | 35 - 20 | | 44 - 10 | 93300-60804 | 18 - 18 | 94701-00330 | 1 - 10 | 95812-06014 | 19 - 12 | | 12 - 2 |
| 90480-18005 | 26 - 11 | 92902-05600 | 32 - 26 | 93306-00106 | 6 - 6 | 95022-06008 | 43 - 37 | | 20 - 5 | | 13 - 3 |
| 90480-18330 | 7 - 18 | 92902-06200 | 11 - 18 | 93306-00304 | 15 - 16 | 95022-06010 | 7 - 4 | | 19 - 8 | | 21 - 20 |
| 90480-24004 | 21 - 16 | 92902-06600 | 5 - 15 | 93306-00415 | 16 - 31 | 95022-06012 | 11 - 7 | 95812-06030 | 38 - 11 | 99530-10120 | 13 - 16 |
| 90501-043E0 | 8 - 28 | 92902-08600 | 15 - 25 | 93306-00431 | 16 - 12 | | 22 - 61 | | 39 - 15 | 99530-14016 | 12 - 17 |
| 90501-052G5 | 17 - 18 | 92902-10200 | 28 - 15 | 93306-00446 | 28 - 10 | 95022-06020 | 1 - 14 | 95812-08014 | 18 - 5 | | |
| 90501-230E4 | 15 - 17 | | 30 - 10 | 93306-00502 | 3 - 20 | | 1 - 17 | 95812-08045 | 18 - 21 | | |
| 90506-20380 | 34 - 4 | 92903-08600 | 22 - 15 | 93306-07209 | 5 - 2 | | 7 - 5 | 95812-10030 | 34 - 7 | | |
| 90508-18018 | 15 - 23 | 92906-04100 | 35 - 6 | 93306-20231 | 28 - 11 | 95022-06025 | 6 - 8 | 95812-10055 | 18 - 6 | | |
| 90508-35007 | 17 - 11 | 92906-04600 | 35 - 7 | 93306-20352 | 18 - 22 | | 8 - 32 | 95812-10090 | 18 - 13 | | |
| 90560-06201 | 20 - 15 | 92907-06600 | 7 - 14 | 93306-20481 | 3 - 19 | | 21 - 22 | 95812-10110 | 18 - 11 | | |
| 91312-04006 | 10 - 16 | 93101-12173 | 6 - 9 | 93306-20501 | 16 - 11 | 95022-06030 | 12 - 4 | 95817-06030 | 49 - 14 | | |
| 91312-04025 | 43 - 52 | 93101-14164 | 13 - 19 | 93306-27803 | 16 - 32 | | 13 - 4 | 95822-06012 | 2 - 6 | | |