



# PARTS CATALOGUE

**YFM400FAS (5TE8) EUROPE**  
**YFM400FAS (5TE9) OCEANIA**



1C5TE-300E2

( 2C5TE-300E2 )

2013-2-13

| NEWS NO.      | DATE         | COMMENT                                      |
|---------------|--------------|--|
| PE0-MC-070033 | Apr.,05,2007 | FIG,3:CRANKSHAFT. PISTON LIST CORRECTION     |
| PE0-MC-120070 | Sep.,4,2012  | COR:FIG.11 EXHAUST LIST/ILLUST. CORRECTION   |
| PE0-MC-130002 | Jan.,25,2013 | COR:YFM400(5TE) FUEL TANK ILLUST. CORRECTION |

# FOREWORD

This Parts Catalogue is related to the parts for the model(s) on the cover page. When you are ordering replacement parts, please refer to this Parts Catalogue and quote both part numbers and part names correctly.

1. Modifications or additions which have been made after the issue of the Parts Catalogue will be announced in the Parts News.  
It is advisable that you make the necessary corrections to the Parts Catalogue according to the Parts News.

2. Abbreviations

The following abbreviations are used in this Parts Catalogue.

“UR” Use specified parts number.

“UN” Use as many as needed.

“AP” Alternate Parts

“LM” Locally Made (Parts need to be ordered locally)

“F#” Frame No. (Applicable machine No.)

“O/S” Over Size

3. The number of components for assembly

- Parts, which are to be supplied in an assembly, are listed with a dot (.) in front of the part name as shown below.
- The numeral appearing to the right of each component part indicates the quantity of parts for each assembly unit.

| PART NO.     | DESCRIPTION              | Q'TY | REMARKS |
|--------------|--------------------------|------|---------|
| 2F5-83310-60 | FRONT FLASHER LIGHT ASSY | 2    |         |
| 115-83311-60 | .BULB (6V-18W)           | 1    |         |

4. Applicable colours of graphics are represented in the “REMARKS” as shown below.

| PART NO.        | DESCRIPTION         | Q'TY | REMARKS |
|-----------------|---------------------|------|---------|
| 2N4-24110-00-X5 | FUEL TANK COMP.     | 2    | MXR     |
| 3J1-24240-10    | .GRAPHIC, FUEL TANK | 1    | FOR MXR |

5. Note that the illustrations for reference in finding parts numbers are not to be used for assembling. When assembling, please use the applicable service manual.

6. The asterisk (\*) before a reference number indicates modified items after the first edition.
7. A part with “YMUS” in the remarks column can be obtained from YMUS (USA) and not from YAMAHA MOTOR CO.,LTD (JAPAN).

| PART NO.     | DESCRIPTION       | Q'TY | REMARKS |
|--------------|-------------------|------|---------|
| EW2-U5160-00 | ENGINE HATCH COMP | 2    | YMUS    |
| 90601-168U7  | BAND,HOSE         | 1    | YMUS    |

ADDRESS:

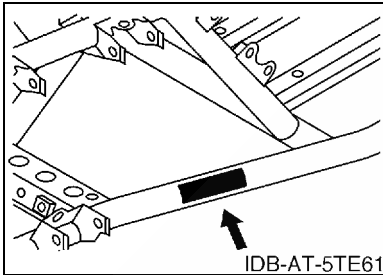
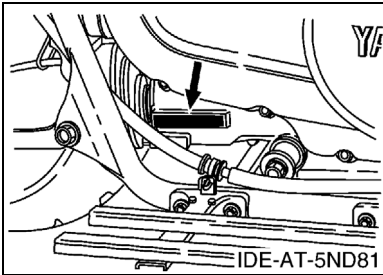
YAMAHA MOTOR CORPORATION U.S.A.  
PARTS & ACCESSORY DIV.  
6555 KATELLA AVENUE  
CYPRESS, CALIFORNIA 90630 U.S.A.

# FOREWORD

8. Applicable Serial No.

Engine Serial No.

Frame Serial No.



9. Applicable Colour Code (The (\*) mark shows Model colour.)

| Abbreviation | Colour Name                | Colour Code |
|--------------|----------------------------|-------------|
| DPBSE(*)     | DEEP PURPLISH BLUE SOLID E | 0583        |
| PDG(*)       | PASTEL DEEP GREEN          | 00K0        |
| RTR(*)       | ROMANTIQUE ROUGE           | 00TR        |
|              |                            |             |
|              |                            |             |
|              |                            |             |
|              |                            |             |
|              |                            |             |
|              |                            |             |

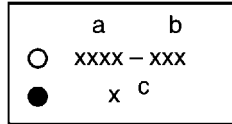
10. Quantity Column Information

| Column No. | Name Of Q'ty Column | Destination            |
|------------|---------------------|------------------------|
| 1          | EUR                 | EUROPE                 |
| 2          | OCE                 | AUSTRALIA, NEW ZEALAND |
|            |                     |                        |
|            |                     |                        |

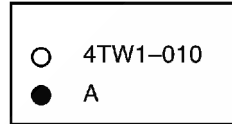
# MODEL LABEL

(1) A label called "Model Label" is affixed in the location as indicated in (3) below.  
When using this parts catalogue, please be sure to cross-reference the "model code – production code No." in the catalogue with the "model code – production code No." indicated on the Model Label affixed onto the product concerned.

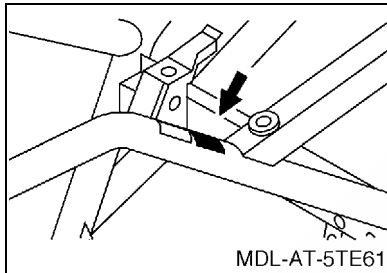
(2) "Model Label" Indication



a: Model Type Code  
b: Production Code No.  
c: Colouring Type



(3) Model Label Affixing Location



(4) Colouring Information

| Model Code | Colouring Type Code | Colour Code | Colour Name                | Abbreviation |
|------------|---------------------|-------------|----------------------------|--------------|
| 5TE8       | A                   | 00TR        | ROMANTIQUE ROUGE           | RTR          |
|            | B                   | 00K0        | PASTEL DEEP GREEN          | PDG          |
|            | D                   | 0583        | DEEP PURPLISH BLUE SOLID E | DPBSE        |
| 5TE9       | D                   | 0583        | DEEP PURPLISH BLUE SOLID E | DPBSE        |
|            |                     |             |                            |              |
|            |                     |             |                            |              |
|            |                     |             |                            |              |
|            |                     |             |                            |              |
|            |                     |             |                            |              |
|            |                     |             |                            |              |

(5) Model Code – Production Code Number of Model Listed in This Parts Catalogue

| Model Code | Production Code No. | Country (destination) | Model Code | Production Code No. | Country (destination) |
|------------|---------------------|-----------------------|------------|---------------------|-----------------------|
| 5TE8       | 010                 | FRANCE                |            |                     |                       |
|            | 020                 | UNITED KINGDOM        |            |                     |                       |
| 5TE9       | 010                 | AUSTRALIA             |            |                     |                       |
|            |                     | NEW ZEALAND           |            |                     |                       |
|            |                     |                       |            |                     |                       |
|            |                     |                       |            |                     |                       |
|            |                     |                       |            |                     |                       |
|            |                     |                       |            |                     |                       |
|            |                     |                       |            |                     |                       |
|            |                     |                       |            |                     |                       |
|            |                     |                       |            |                     |                       |
|            |                     |                       |            |                     |                       |
|            |                     |                       |            |                     |                       |
|            |                     |                       |            |                     |                       |
|            |                     |                       |            |                     |                       |
|            |                     |                       |            |                     |                       |
|            |                     |                       |            |                     |                       |
|            |                     |                       |            |                     |                       |

# CONTENTS

## ENGINE

|                           |     |
|---------------------------|-----|
| CYLINDER HEAD .....       | B2  |
| CYLINDER .....            | B4  |
| CRANKSHAFT & PISTON ..... | B5  |
| VALVE .....               | B6  |
| CAMSHAFT & CHAIN .....    | B7  |
| WATER PUMP .....          | B8  |
| RADIATOR & HOSE .....     | B9  |
| OIL PUMP .....            | B10 |
| INTAKE .....              | B11 |
| CARBURETOR .....          | B12 |
| EXHAUST .....             | B14 |
| CRANKCASE .....           | B15 |
| CRANKCASE COVER 1 .....   | C3  |
| STARTER .....             | C5  |
| STARTER CLUTCH .....      | C6  |
| CLUTCH .....              | C7  |
| TRANSMISSION .....        | C9  |
| MIDDLE DRIVE GEAR .....   | C10 |
| SHIFT CAM & FORK .....    | C12 |
| SHIFT SHAFT .....         | C13 |

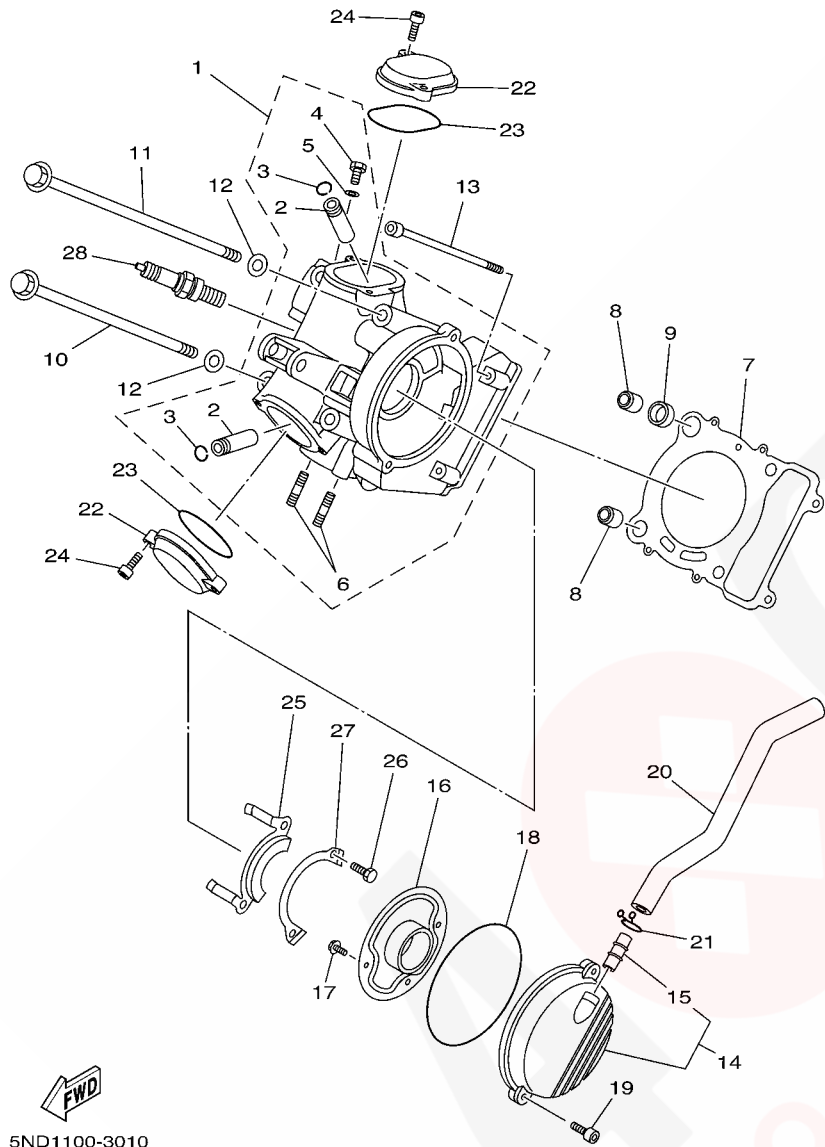
## CHASSIS

|                                |     |
|--------------------------------|-----|
| FRAME .....                    | C14 |
| FRONT FENDER .....             | D2  |
| REAR FENDER .....              | D3  |
| SIDE COVER .....               | D4  |
| REAR ARM .....                 | D5  |
| DRIVE SHAFT .....              | D6  |
| FRONT DIFFERENTIAL .....       | D9  |
| REAR SUSPENSION .....          | D11 |
| FRONT SUSPENSION & WHEEL ..... | D12 |
| STEERING .....                 | D13 |
| FUEL TANK .....                | D14 |
| SEAT .....                     | D15 |
| FRONT WHEEL .....              | E2  |
| FRONT BRAKE CALIPER .....      | E5  |
| REAR WHEEL .....               | E6  |
| STEERING HANDLE & CABLE .....  | E9  |
| FRONT MASTER CYLINDER .....    | E11 |
| STAND & FOOTREST .....         | E12 |
| GUARD .....                    | E14 |

|                             |     |
|-----------------------------|-----|
| GENERATOR .....             | E15 |
| STARTING MOTOR .....        | F2  |
| METER .....                 | F3  |
| HEADLIGHT .....             | F4  |
| TAILLIGHT .....             | F5  |
| HANDLE SWITCH & LEVER ..... | F6  |
| ELECTRICAL 1 .....          | F7  |
| ELECTRICAL 2 .....          | F11 |
| EMBLEM & LABEL 1 .....      | F12 |
| EMBLEM & LABEL 2 .....      | F13 |

## INDEX

|                       |    |
|-----------------------|----|
| NUMERICAL INDEX ..... | M1 |
|-----------------------|----|



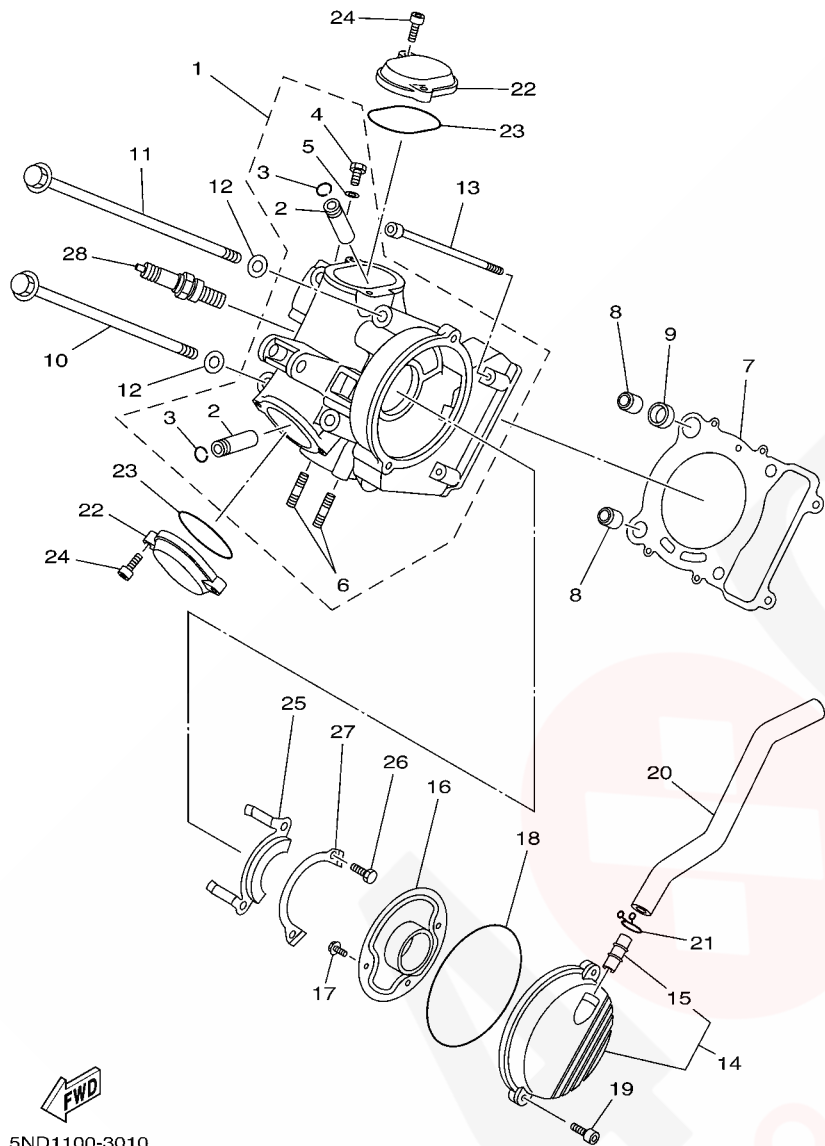
  
5ND1100-3010

**FIG. 1 CYLINDER HEAD**

| REF. NO. | PART NO.     | DESCRIPTION                 | EUR | OCF | REMARKS |
|----------|--------------|-----------------------------|-----|-----|---------|
| 1        | 5GH-11110-00 | CYLINDER HEAD ASSY          | 1   | 1   |         |
| 2        | 3Y1-11133-11 | .GUIDE, VALVE 1             | 2   | 2   |         |
| 3        | 93440-12052  | .CIRCLIP                    | 2   | 2   |         |
| 4        | 90401-06001  | .BOLT, UNION                | 1   | 1   |         |
| 5        | 90430-06192  | .GASKET                     | 1   | 1   |         |
| 6        | 95617-08620  | .BOLT, STUD                 | 2   | 2   |         |
| 7        | 5GH-11181-00 | GASKET, CYLINDER HEAD 1     | 1   | 1   |         |
| 8        | 99530-14016  | PIN, DOWEL                  | 2   | 2   |         |
| 9        | 90430-14240  | GASKET                      | 1   | 1   |         |
| 10       | 90105-10421  | BOLT, FLANGE                | 2   | 2   |         |
| 11       | 90105-10422  | BOLT, FLANGE                | 2   | 2   |         |
| 12       | 90201-10128  | WASHER, PLATE               | 4   | 4   |         |
| 13       | 91317-06140  | BOLT                        | 2   | 2   |         |
| 14       | 4WU-11160-00 | BREATHER ASSY               | 1   | 1   |         |
| 15       | 371-11167-01 | .PIPE, BREATHER 2           | 1   | 1   |         |
| 16       | 4KB-11165-00 | PLATE, BREATHER             | 1   | 1   |         |
| 17       | 95027-06012  | BOLT, FLANGE                | 2   | 2   |         |
| 18       | 93211-06635  | O-RING                      | 1   | 1   |         |
| 19       | 91317-06025  | BOLT                        | 2   | 2   |         |
| 20       | 5ND-E1166-00 | PIPE, BREATHER 1            | 1   | 1   | (YMUS)  |
| 21       | 90467-14015  | CLIP                        | 1   | 1   |         |
| 22       | 2NL-11186-00 | COVER, CYLINDER HEAD SIDE 2 | 2   | 2   |         |
| 23       | 93210-57634  | O-RING                      | 2   | 2   |         |
| 24       | 91317-06020  | BOLT                        | 4   | 4   |         |
| 25       | 5GH-1111F-00 | PLATE                       | 1   | 1   |         |
| 26       | 97007-06012  | BOLT                        | 2   | 2   |         |
| 27       | 90215-06184  | WASHER, LOCK                | 1   | 1   |         |

**B2**

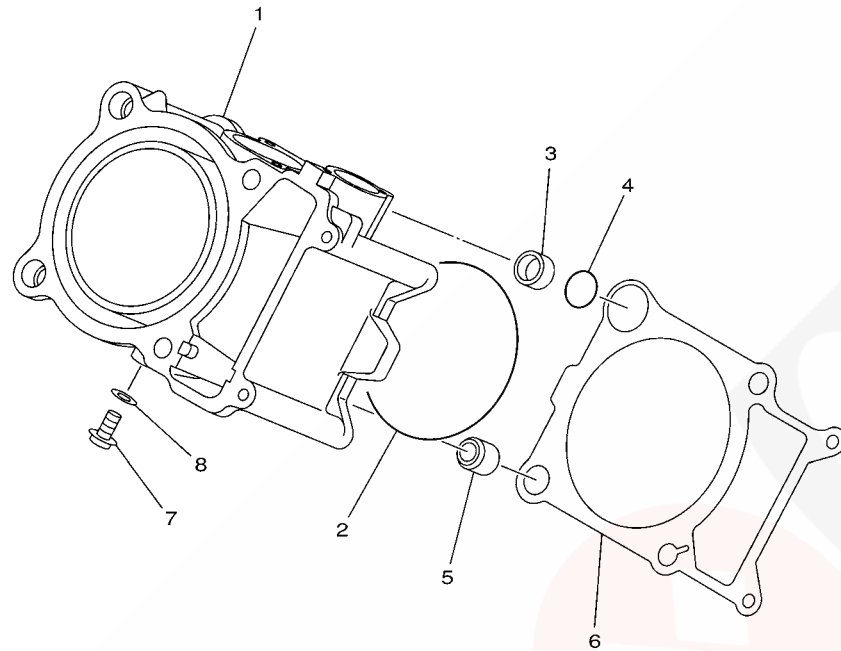
FIG. 1 CYLINDER HEAD



| REF. NO. | PART NO.    | DESCRIPTION             | EUR | OCÉ | REMARKS |
|----------|-------------|-------------------------|-----|-----|---------|
| 28       | 94701-00333 | PLUG, SPARK (NGK DR8EA) | 1   | 1   |         |
|          |             |                         |     |     |         |
|          |             |                         |     |     |         |
|          |             |                         |     |     |         |
|          |             |                         |     |     |         |
|          |             |                         |     |     |         |
|          |             |                         |     |     |         |
|          |             |                         |     |     |         |
|          |             |                         |     |     |         |
|          |             |                         |     |     |         |

  
5ND1100-3010

FIG. 2 CYLINDER

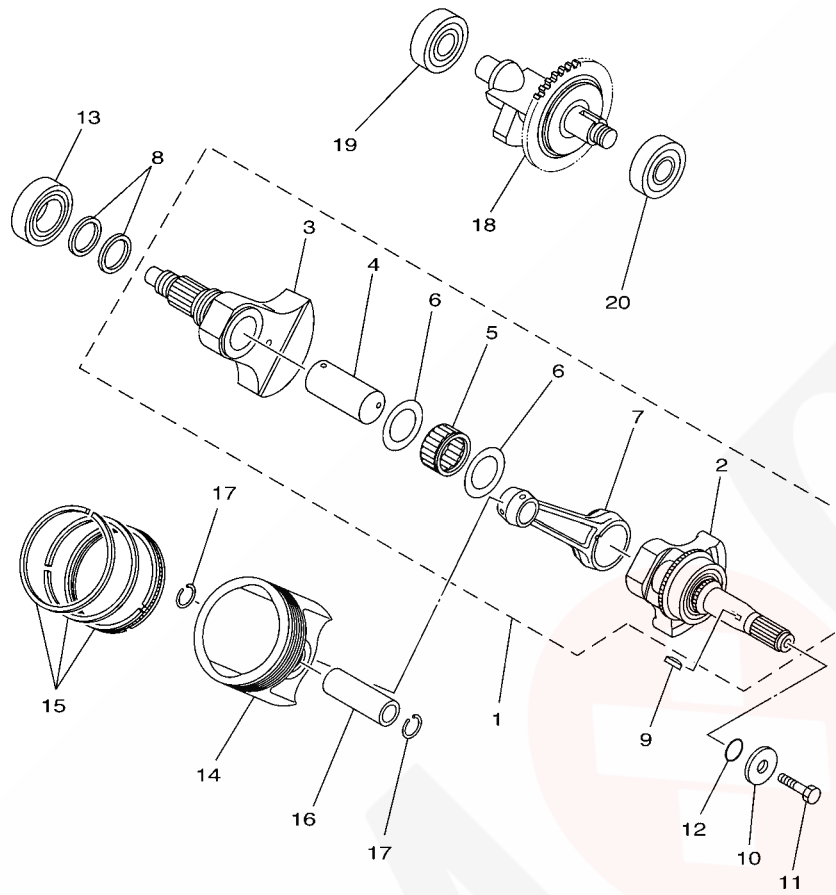


| REF. NO. | PART NO.     | DESCRIPTION      | EUR | OCE |  |  |  | REMARKS |
|----------|--------------|------------------|-----|-----|--|--|--|---------|
| 1        | 5GH-11310-00 | CYLINDER         | 1   | 1   |  |  |  |         |
| 2        | 93210-89447  | O-RING           | 1   | 1   |  |  |  |         |
| 3        | 90387-16547  | COLLAR           | 1   | 1   |  |  |  |         |
| 4        | 93210-18322  | O-RING           | 1   | 1   |  |  |  |         |
| 5        | 99530-14016  | PIN, DOWEL       | 1   | 1   |  |  |  |         |
| 6        | 5GH-11351-00 | GASKET, CYLINDER | 1   | 1   |  |  |  |         |
| 7        | 90153-06029  | SCREW, HEXAGON   | 1   | 1   |  |  |  |         |
| 8        | 90430-06014  | GASKET           | 1   | 1   |  |  |  |         |
|          |              |                  |     |     |  |  |  |         |
|          |              |                  |     |     |  |  |  |         |
|          |              |                  |     |     |  |  |  |         |
|          |              |                  |     |     |  |  |  |         |
|          |              |                  |     |     |  |  |  |         |

  
5GH1110-0020



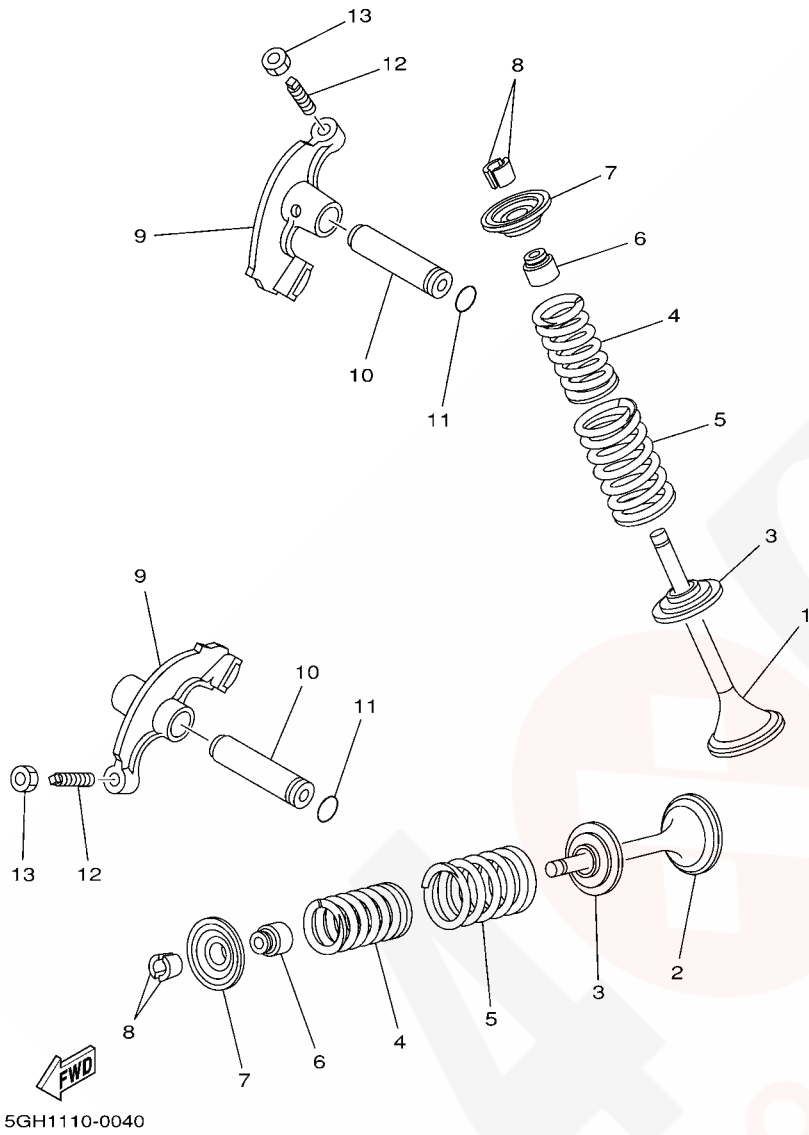
**FIG. 3 CRANKSHAFT & PISTON**



  
5GHD171-1030

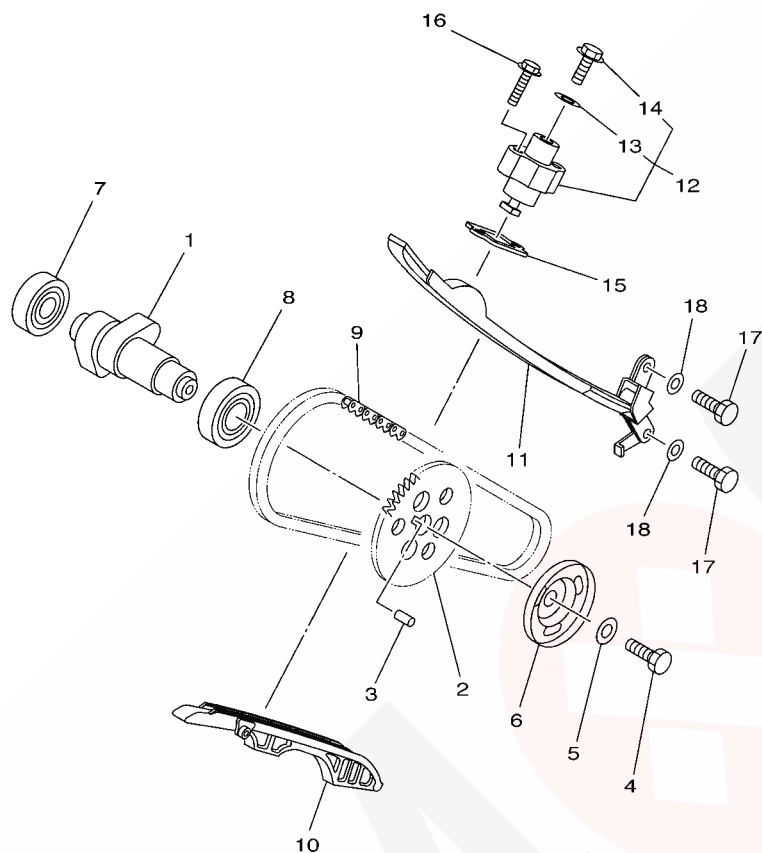
| REF. NO. | PART NO.     | DESCRIPTION                  | EUR | OCE |  | REMARKS |
|----------|--------------|------------------------------|-----|-----|--|---------|
| 1        | 5GH-11400-10 | CRANKSHAFT ASSY              | 1   | 1   |  |         |
| 2        | 5GH-W1141-10 | .CRANK 1                     | 1   | 1   |  |         |
| 3        | 5GH-W1142-00 | .CRANK 2                     | 1   | 1   |  |         |
| 4        | 5GH-11681-00 | .PIN, CRANK 1                | 1   | 1   |  |         |
| 5        | 93310-635D4  | .BEARING                     | 1   | 1   |  |         |
| 6        | 90201-356K1  | .WASHER, PLATE               | 2   | 2   |  |         |
| 7        | 5GH-11651-01 | .ROD, CONNECTING             | 1   | 1   |  |         |
| 8        | 5GH-11447-00 | SEAL, CRANK                  | 2   | 2   |  |         |
| 9        | 90280-05048  | KEY, WOODRUFF                | 1   | 1   |  |         |
| 10       | 90201-10321  | WASHER, PLATE                | 1   | 1   |  |         |
| 11       | 90101-10568  | BOLT                         | 1   | 1   |  |         |
| 12       | 93210-16290  | O-RING                       | 1   | 1   |  |         |
| 13       | 93306-30629  | BEARING                      | 1   | 1   |  |         |
| 14       | 5GH-11631-00 | PISTON (STD)                 | 1   | 1   |  |         |
|          | 5GH-11636-00 | PISTON (0.50MM O/S)          | 1   | 1   |  | AP      |
|          | 5GH-11638-00 | PISTON (1.00MM O/S)          | 1   | 1   |  | AP      |
| 15       | 5GH-11603-00 | PISTON RING SET (STD)        | 1   | 1   |  |         |
|          | 5GH-11605-00 | PISTON RING SET (0.50MM O/S) | 1   | 1   |  | AP      |
|          | 5GH-11607-00 | PISTON RING SET (1.00MM O/S) | 1   | 1   |  | AP      |
| 16       | 3LD-11633-00 | PIN, PISTON                  | 1   | 1   |  |         |
| 17       | 93450-22027  | CIRCLIP                      | 2   | 2   |  |         |
| 18       | 5ND-11500-00 | BALANCER ASSY                | 1   | 1   |  |         |
| 19       | 93306-30315  | BEARING                      | 1   | 1   |  |         |
| 20       | 93306-30438  | BEARING                      | 1   | 1   |  |         |

FIG. 4 VALVE



| REF. NO. | PART NO.     | DESCRIPTION            | EUR | OCÉ | REMARKS |
|----------|--------------|------------------------|-----|-----|---------|
| 1        | 5GH-12111-00 | VALVE, INTAKE          | 1   | 1   |         |
| 2        | 5GH-12121-00 | VALVE, EXHAUST         | 1   | 1   |         |
| 3        | 3Y1-12116-00 | SEAT, VALVE SPRING     | 2   | 2   |         |
| 4        | 22U-12113-00 | SPRING, VALVE INNER    | 2   | 2   |         |
| 5        | 1UY-12114-01 | SPRING, VALVE OUTER    | 2   | 2   |         |
| 6        | M01-12129-00 | SEAL, VALVE STEM       | 2   | 2   |         |
| 7        | 3Y1-12117-01 | RETAINER, VALVE SPRING | 2   | 2   |         |
| 8        | 1J7-12118-00 | COTTER, VALVE          | 4   | 4   |         |
| 9        | 3GD-12151-00 | ARM, VALVE ROCKER      | 2   | 2   |         |
| 10       | 3Y1-12156-00 | SHAFT, ROCKER 2        | 2   | 2   |         |
| 11       | 93210-09165  | O-RING                 | 2   | 2   |         |
| 12       | 31G-12159-02 | SCREW, VALVE ADJUSTING | 2   | 2   |         |
| 13       | 31G-12158-00 | NUT, LOCK              | 2   | 2   |         |

FIG. 5 CAMSHAFT & CHAIN

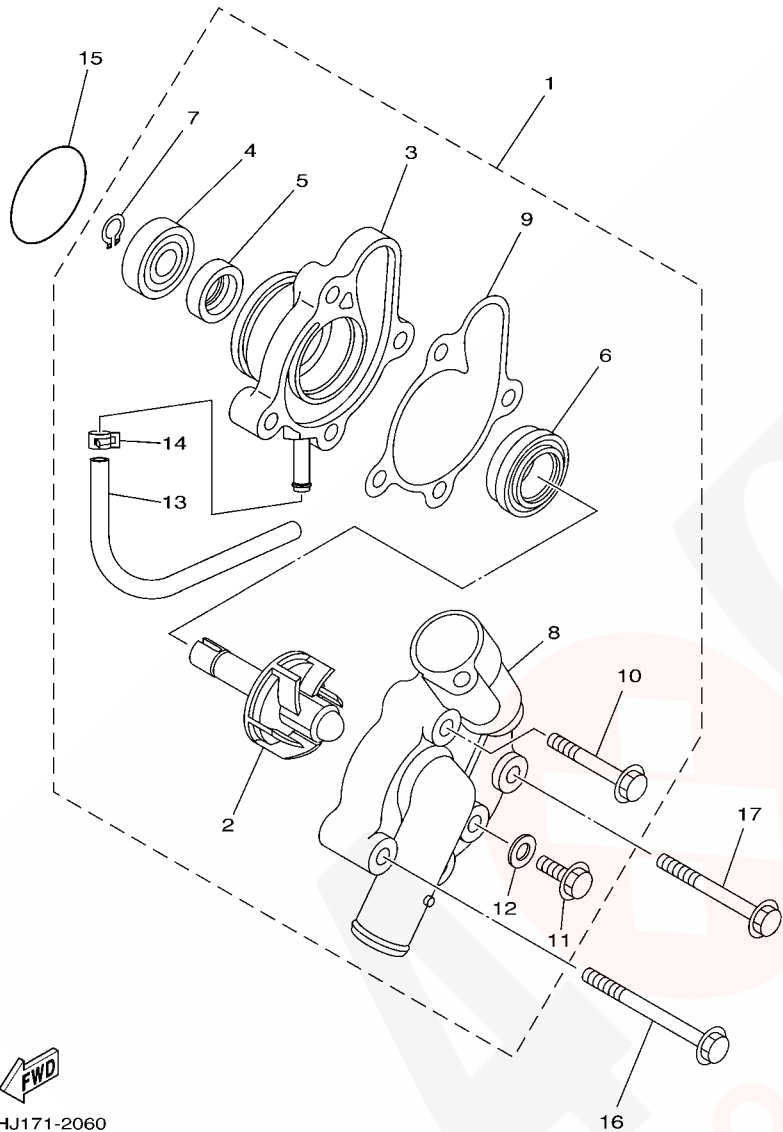


| REF. NO. | PART NO.     | DESCRIPTION                  | EUR | OCE | REMARKS    |
|----------|--------------|------------------------------|-----|-----|------------|
| 1        | 5GH-12171-00 | CAMSHAFT 1                   | 1   | 1   |            |
| 2        | 5GH-12176-10 | SPROCKET, CAM CHAIN          | 1   | 1   |            |
| 3        | 93604-10011  | PIN, DOWEL                   | 1   | 1   |            |
| 4        | 90101-10303  | BOLT                         | 1   | 1   |            |
| 5        | 90201-10591  | WASHER, PLATE                | 1   | 1   |            |
| 6        | 4KB-11145-00 | PLATE, BREATHER 2            | 1   | 1   |            |
| 7        | 93306-00438  | BEARING                      | 1   | 1   | NIHONSEIKO |
| 8        | 93306-00515  | BEARING                      | 1   | 1   |            |
| 9        | 94581-96116  | CHAIN(DID SCR0409 SDH 116LE) | 1   | 1   |            |
| 10       | 5GH-12231-10 | GUIDE, STOPPER 1             | 1   | 1   |            |
| 11       | 5GH-12241-00 | GUIDE, STOPPER 2             | 1   | 1   |            |
| 12       | 31G-12210-01 | TENSIONER ASSY, CAM CHAIN    | 1   | 1   |            |
| 13       | 31G-12214-00 | .GASKET                      | 1   | 1   |            |
| 14       | 31G-12222-00 | .PLUG                        | 1   | 1   |            |
| 15       | 3GD-12213-00 | GASKET, TENSIONER CASE       | 1   | 1   |            |
| 16       | 95027-06025  | BOLT, FLANGE                 | 2   | 2   |            |
| 17       | 97027-06016  | BOLT                         | 2   | 2   |            |
| 18       | 92907-06600  | WASHER, PLATE                | 2   | 2   |            |



5GHK110-2050

FIG. 6 WATER PUMP

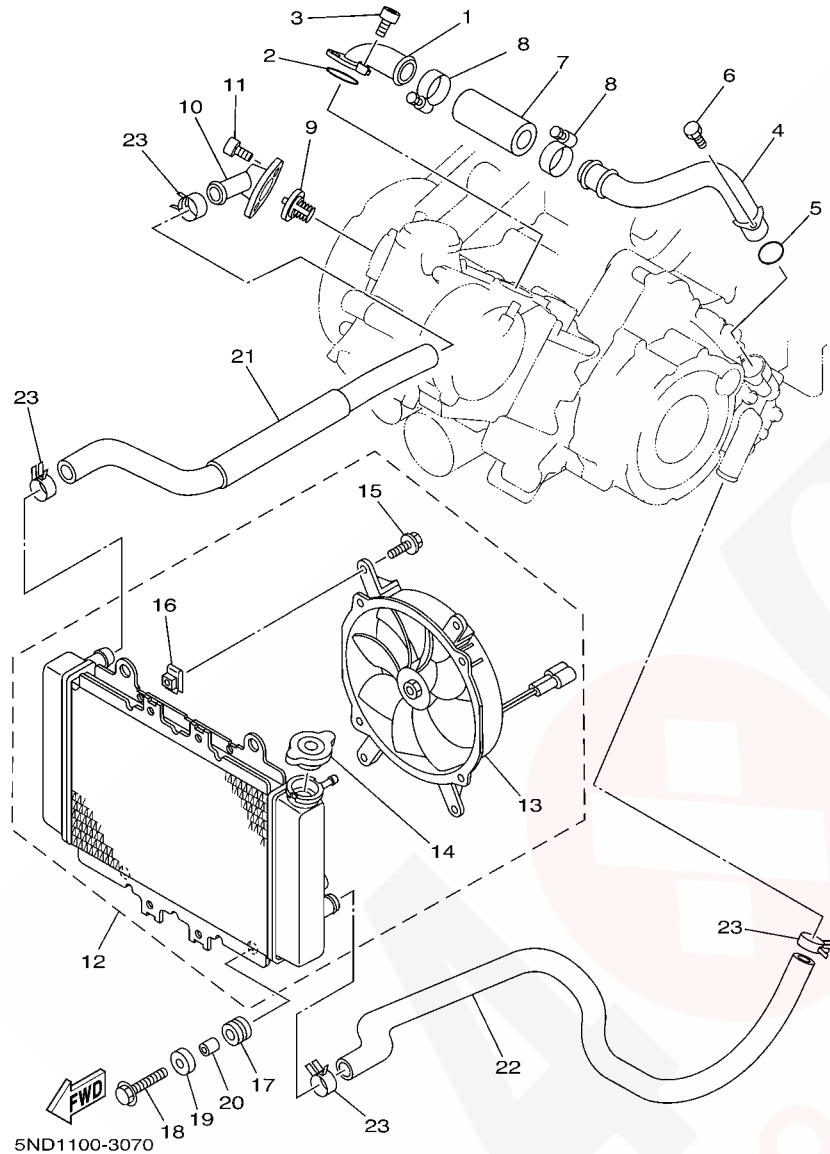


| REF. NO. | PART NO.     | DESCRIPTION              | EUR | OCE | REMARKS |
|----------|--------------|--------------------------|-----|-----|---------|
| 1        | 5GH-12420-01 | WATER PUMP ASSY          | 1   | 1   |         |
| 2        | 5CG-12450-00 | .IMPELLER SHAFT ASSY     | 1   | 1   |         |
| 3        | 5GH-12421-01 | .HOUSING, WATER PUMP     | 1   | 1   |         |
| 4        | 93306-00006  | .BEARING (B6000)         | 1   | 1   |         |
| 5        | 93101-10090  | .OIL SEAL                | 1   | 1   |         |
| 6        | 11H-12438-10 | .SEAL, MECHANICAL        | 1   | 1   |         |
| 7        | 99009-10400  | .CIRCLIP                 | 1   | 1   |         |
| 8        | 5GH-12422-00 | .COVER, HOUSING          | 1   | 1   |         |
| 9        | 5GH-12428-00 | .GASKET, HOUSING COVER 2 | 1   | 1   |         |
| 10       | 90105-06005  | .BOLT, FLANGE            | 2   | 2   |         |
| 11       | 95027-06012  | .BOLT, FLANGE            | 1   | 1   |         |
| 12       | 90430-06014  | .GASKET                  | 1   | 1   |         |
| 13       | 90446-06001  | .HOSE (L300)             | 1   | 1   |         |
| 14       | 90467-06194  | .CLIP                    | 1   | 1   |         |
| 15       | 93210-33133  | O-RING                   | 1   | 1   |         |
| 16       | 95027-06060  | BOLT, FLANGE             | 1   | 1   |         |
| 17       | 95027-06050  | BOLT, FLANGE             | 1   | 1   |         |



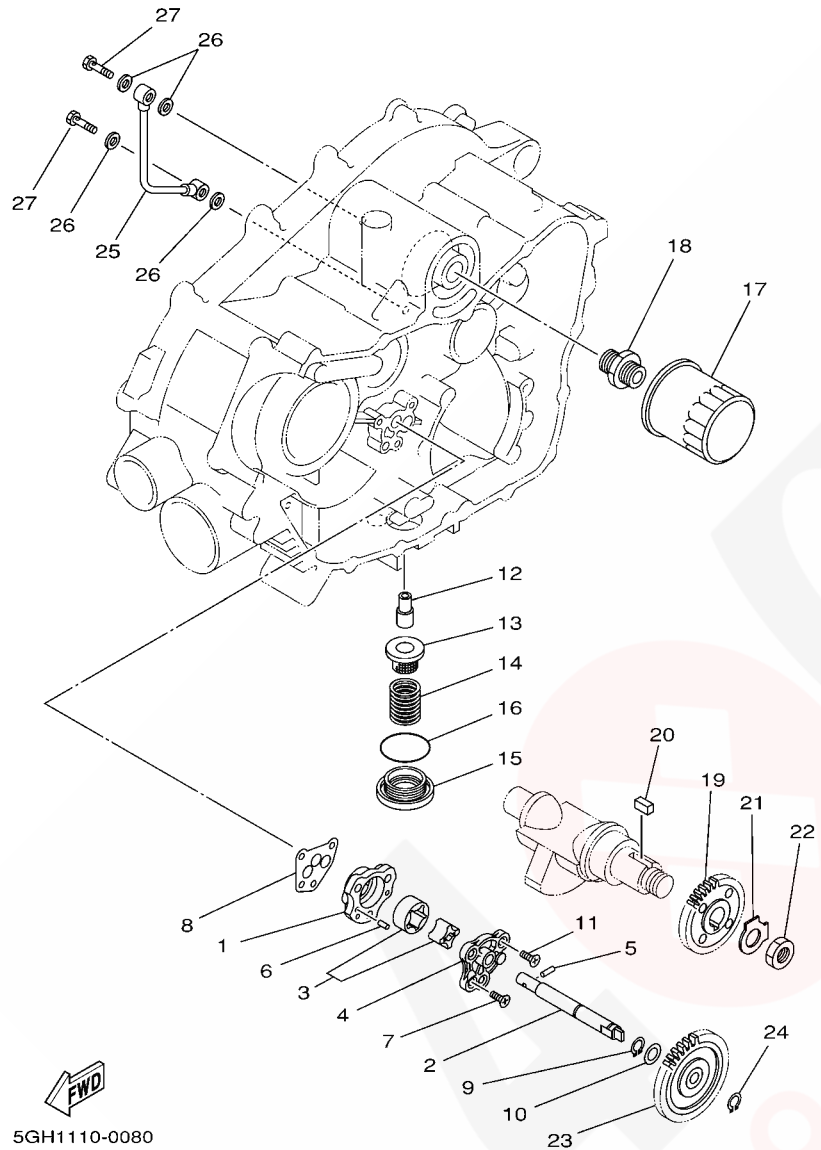
5GHJ171-2060

FIG. 7 RADIATOR & HOSE



| REF. NO. | PART NO.     | DESCRIPTION               | EUR | OCE | REMARKS |
|----------|--------------|---------------------------|-----|-----|---------|
| 1        | 5GH-12446-00 | JOINT                     | 1   | 1   |         |
| 2        | 93210-33786  | O-RING                    | 1   | 1   |         |
| 3        | 90110-06136  | BOLT, HEXAGON SOCKET HEAD | 2   | 2   |         |
| 4        | 5GH-12484-00 | PIPE 4                    | 1   | 1   |         |
| 5        | 93210-18417  | O-RING                    | 1   | 1   |         |
| 6        | 91317-06012  | BOLT                      | 1   | 1   |         |
| 7        | 5GH-12481-00 | PIPE 1                    | 1   | 1   |         |
| 8        | 90450-32015  | HOSE CLAMP ASSY           | 2   | 2   |         |
| 9        | 2TV-12411-00 | THERMOSTAT                | 1   | 1   |         |
| 10       | 5GH-12413-00 | COVER, THERMOSTAT         | 1   | 1   |         |
| 11       | 91317-06020  | BOLT                      | 2   | 2   |         |
| 12       | 5ND-E240A-00 | RADIATOR ASSY             | 1   | 1   | (YMUS)  |
| 13       | 5ND-E2405-00 | .BLOWER ASSY              | 1   | 1   | (YMUS)  |
| 14       | 5ND-E2462-00 | .CAP, RADIATOR            | 1   | 1   | (YMUS)  |
| 15       | 5ND-E2675-00 | .BOLT, BLOWER HOLDING     | 4   | 4   | (YMUS)  |
| 16       | 5ND-E2535-00 | .PLATE                    | 4   | 4   | (YMUS)  |
| 17       | 90480-15235  | GROMMET                   | 4   | 4   |         |
| 18       | 95807-06020  | BOLT, FLANGE              | 2   | 2   |         |
| 19       | 90209-06174  | WASHER                    | 2   | 2   |         |
| 20       | 90387-060A7  | COLLAR                    | 2   | 2   |         |
| 21       | 5ND-E2482-00 | PIPE 2                    | 1   | 1   | (YMUS)  |
| 22       | 5ND-E2483-00 | PIPE 3                    | 1   | 1   | (YMUS)  |
| 23       | 90467-25800  | CLIP                      | 4   | 4   | (YMUS)  |

FIG. 8 OIL PUMP

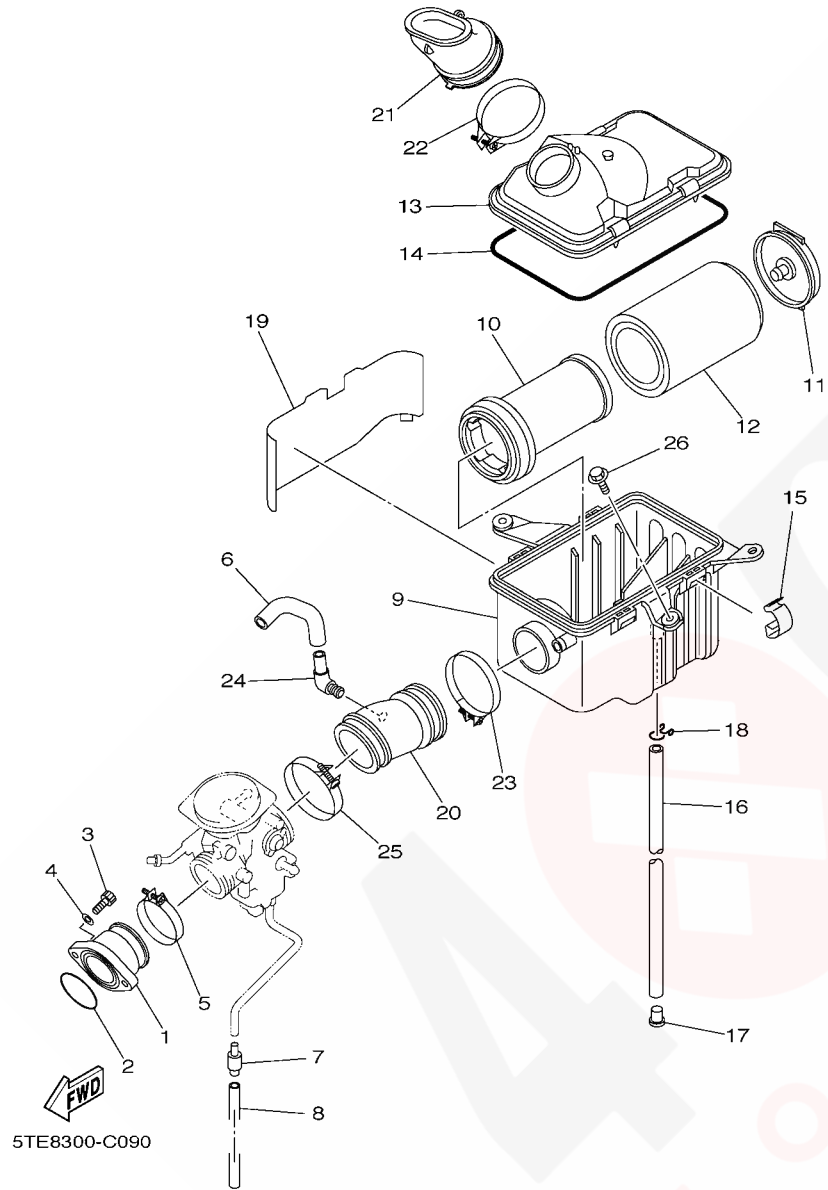


5GH1110-0080

| REF. NO. | PART NO.     | DESCRIPTION               | EUR | QCE | REMARKS |
|----------|--------------|---------------------------|-----|-----|---------|
| 1        | 1UY-13336-00 | HOUSING, ROTOR            | 1   | 1   |         |
| 2        | 5GH-13314-00 | SHAFT, PUMP               | 1   | 1   |         |
| 3        | 3Y1-13310-01 | ROTOR ASSY 1              | 1   | 1   |         |
| 4        | 1UY-13316-00 | COVER, PUMP               | 1   | 1   |         |
| 5        | 93603-12030  | PIN, DOWEL                | 1   | 1   |         |
| 6        | 93603-07073  | PIN, DOWEL                | 2   | 2   |         |
| 7        | 98707-06020  | SCREW, FLAT HEAD          | 1   | 1   |         |
| 8        | 3GD-13329-00 | GASKET, PUMP COVER        | 1   | 1   |         |
| 9        | 99009-11400  | CIRCLIP                   | 1   | 1   |         |
| 10       | 90201-114P2  | WASHER, PLATE (1.0)       | 1   | 1   |         |
| 11       | 98707-06030  | SCREW, FLAT HEAD          | 3   | 3   |         |
| 12       | 2XK-13416-00 | PIPE, OIL 1               | 1   | 1   |         |
| 13       | 51Y-13411-00 | STRAINER, OIL             | 1   | 1   |         |
| 14       | 90501-18576  | SPRING, COMPRESSION       | 1   | 1   |         |
| 15       | 4HC-15351-00 | PLUG, DRAIN               | 1   | 1   |         |
| 16       | 93210-35520  | O-RING                    | 1   | 1   |         |
| 17       | 5GH-13440-00 | ELEMENT ASSY, OIL CLEANER | 1   | 1   |         |
| 18       | 90401-20145  | BOLT, UNION               | 1   | 1   |         |
| 19       | 5GH-13324-00 | GEAR, PUMP DRIVE          | 1   | 1   |         |
| 20       | 90282-05013  | KEY, STRAIGHT             | 1   | 1   |         |
| 21       | 90215-14205  | WASHER, LOCK              | 1   | 1   |         |
| 22       | 90170-14284  | NUT                       | 1   | 1   |         |
| 23       | 5GH-13325-00 | GEAR, PUMP DRIVEN         | 1   | 1   |         |
| 24       | 99009-11400  | CIRCLIP                   | 1   | 1   |         |
| 25       | 4KB-13161-01 | PIPE, DELIVERY 1          | 1   | 1   |         |
| 26       | 90430-08119  | GASKET                    | 4   | 4   |         |
| 27       | 90401-08038  | BOLT, UNION               | 2   | 2   |         |

**B10**

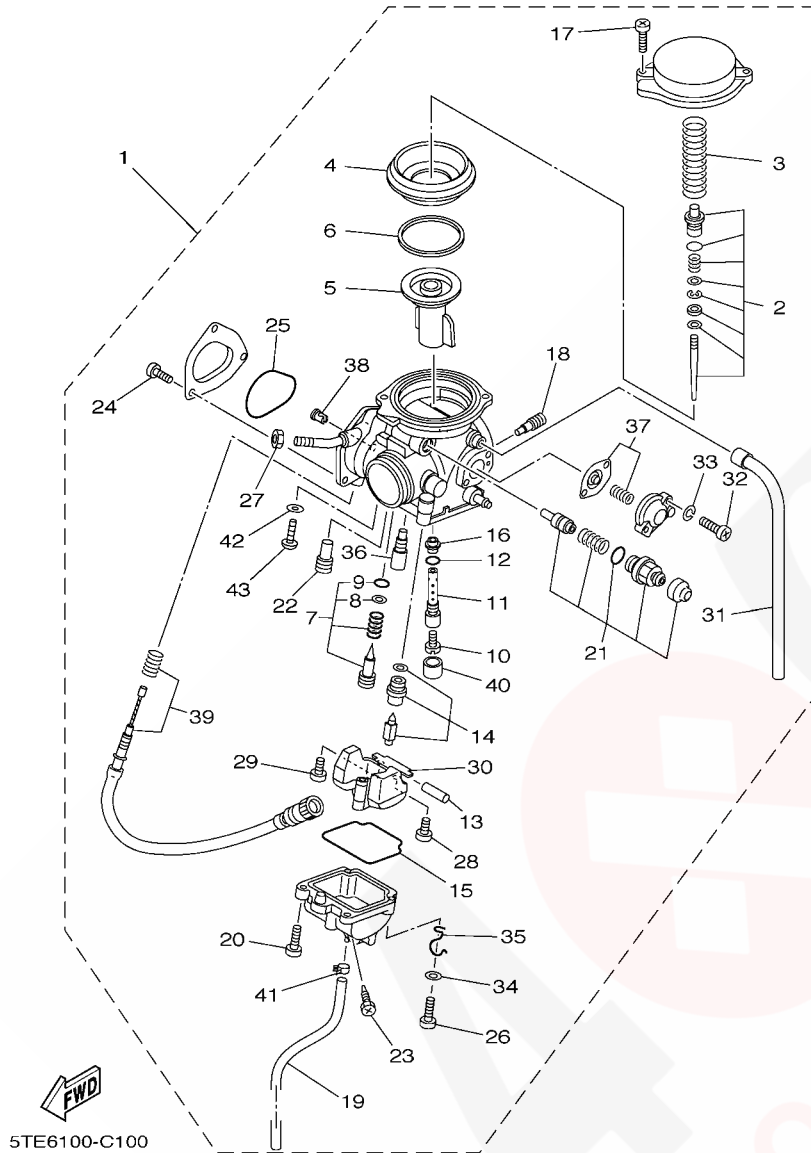
FIG. 9 INTAKE



| REF. NO. | PART NO.     | DESCRIPTION           | EUR | OCE | REMARKS |
|----------|--------------|-----------------------|-----|-----|---------|
| 1        | 5GH-13586-00 | JOINT, CARBURETOR 1   | 1   | 1   |         |
| 2        | 93210-44545  | O-RING                | 1   | 1   |         |
| 3        | 91317-08025  | BOLT                  | 2   | 2   |         |
| 4        | 90201-08085  | WASHER, PLATE         | 2   | 2   |         |
| 5        | 90450-47001  | HOSE CLAMP ASSY       | 1   | 1   |         |
| 6        | 5ND-E4349-00 | PIPE                  | 1   | 1   | (YMUS)  |
| 7        | 24W-14193-00 | PIPE                  | 1   | 1   |         |
| 8        | 91A20-07010  | TUBE, FLEXIBLE VINYL  | 1   | 1   |         |
| 9        | 5UH-E4411-00 | CASE, AIR CLEANER 1   | 1   | 1   | (YMUS)  |
| 10       | 5UH-E4458-00 | GUIDE                 | 1   | 1   | (YMUS)  |
| 11       | 5UH-E4468-00 | PLATE,ELEMENT FITTING | 1   | 1   | (YMUS)  |
| 12       | 5UH-E4451-00 | ELEMENT, AIR CLEANER  | 1   | 1   | (YMUS)  |
| 13       | 5UH-E4412-00 | CAP, CLEANER CASE 1   | 1   | 1   | (YMUS)  |
| 14       | 5UH-E4462-00 | SEAL                  | 1   | 1   | (YMUS)  |
| 15       | 5UH-E4424-00 | CLIP, CAP FITTING     | 4   | 4   | (YMUS)  |
| 16       | 5UH-E4769-00 | PIPE, DRAIN           | 1   | 1   | (YMUS)  |
| 17       | 5UH-E4191-00 | PLUG, DRAIN           | 1   | 1   | (YMUS)  |
| 18       | 5UH-E4438-00 | CLIP, DRAIN CLEANER   | 1   | 1   | (YMUS)  |
| 19       | 5ND-E442F-00 | PROTECTOR             | 1   | 1   | (YMUS)  |
| 20       | 5ND-E4453-00 | JOINT, AIR CLEANER 1  | 1   | 1   | (YMUS)  |
| 21       | 5ND-E4437-00 | DUCT                  | 1   | 1   | (YMUS)  |
| 22       | 90460-58124  | CLAMP, HOSE           | 1   | 1   |         |
| 23       | 90460-58124  | CLAMP, HOSE           | 1   | 1   |         |
| 24       | 31A-14419-00 | PIPE                  | 1   | 1   |         |
| 25       | 90460-56105  | CLAMP, HOSE           | 1   | 1   |         |
| 26       | 90119-06227  | BOLT, WITH WASHER     | 2   | 2   |         |

**B11**

FIG. 10 CARBURETOR

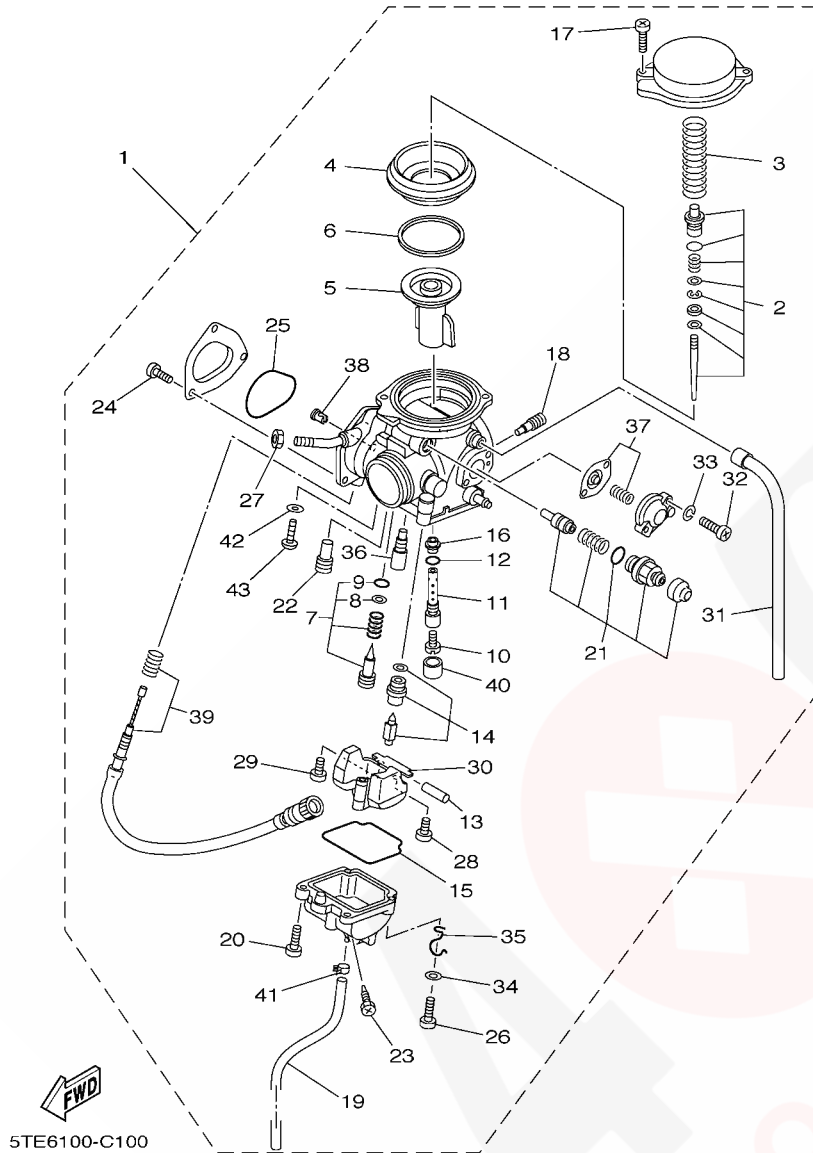


5TE6100-C100

| REF. NO. | PART NO.     | DESCRIPTION           | EUR | OCE | REMARKS      |
|----------|--------------|-----------------------|-----|-----|--------------|
| 1        | 5TE-E4101-00 | CARBURETOR ASSY 1     | 1   | 1   | (YMUS)       |
| 2        | 5ND-1490J-00 | .NEEDLE SET           | 1   | 1   |              |
| 3        | 5DM-14933-00 | .SPRING, DIAPHRAGM    | 1   | 1   |              |
| 4        | 5GH-14940-10 | .DIAPHRAGM ASSY       | 1   | 1   |              |
| 5        | 5DM-14112-00 | .VALVE, THROTTLE 1    | 1   | 1   |              |
| 6        | 5GH-14918-10 | .RING                 | 1   | 1   |              |
| 7        | 5GH-14105-10 | .PILOT SCREW SET      | 1   | 1   | WHITE SPRING |
| 8        | 3H1-14962-00 | ..WASHER              | 1   | 1   |              |
| 9        | 3H1-14147-00 | ..O-RING              | 1   | 1   |              |
| 10       | 3G2-1423A-77 | .JET, MAIN (#132.5)   | 1   | 1   |              |
| 11       | 5GH-14261-00 | .HOLDER               | 1   | 1   |              |
| 12       | 583-14561-00 | .O-RING               | 1   | 1   |              |
| 13       | 127-14186-00 | .PIN, FLOAT           | 1   | 1   |              |
| 14       | 4SV-14107-20 | .NEEDLE VALVE SET     | 1   | 1   |              |
| 15       | 5DM-14561-00 | .O-RING               | 1   | 1   |              |
| 16       | 5DM-14141-40 | .NOZZLE, MAIN         | 1   | 1   |              |
| 17       | 4KM-14216-00 | .SCREW                | 1   | 1   |              |
| 18       | 1HX-14231-16 | .JET, MAIN (# 80)     | 1   | 1   |              |
| 19       | 4KB-14193-20 | .PIPE                 | 1   | 1   |              |
| 20       | 98580-04010  | .SCREW, PAN HEAD      | 3   | 3   |              |
| 21       | 5GH-1410A-00 | .STARTER SET          | 1   | 1   |              |
| 22       | 3G2-14231-15 | .JET, POWER (# 75)    | 1   | 1   |              |
| 23       | 3FV-14191-00 | .PLUG, DRAIN          | 1   | 1   |              |
| 24       | 9850L-04006  | .SCREW, PAN HEAD      | 3   | 3   | (YMUS)       |
| 25       | 5FU-E4147-00 | .O-RING               | 1   | 1   | (YMUS)       |
| 26       | 98507-04014  | .SCREW, PAN HEAD      | 1   | 1   |              |
| 27       | 522-14161-00 | .NUT, CABLE ADJUSTING | 1   | 1   |              |

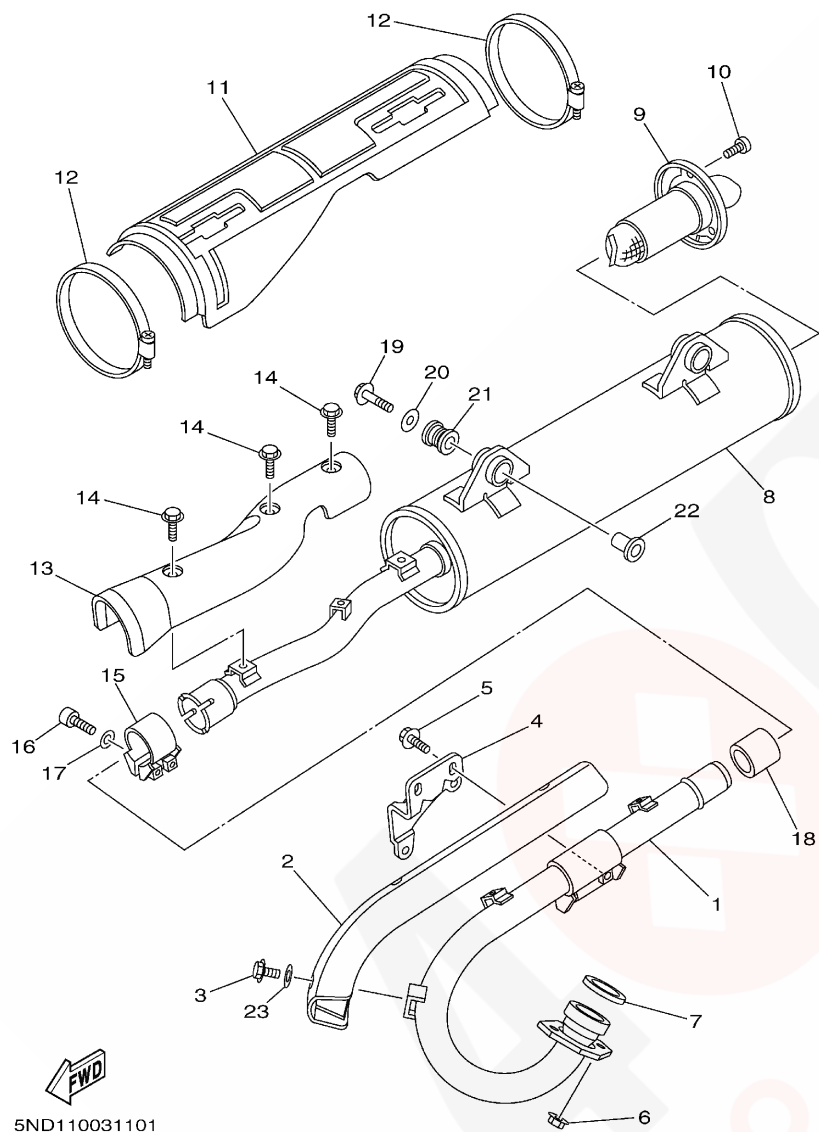


FIG. 10 CARBURETOR



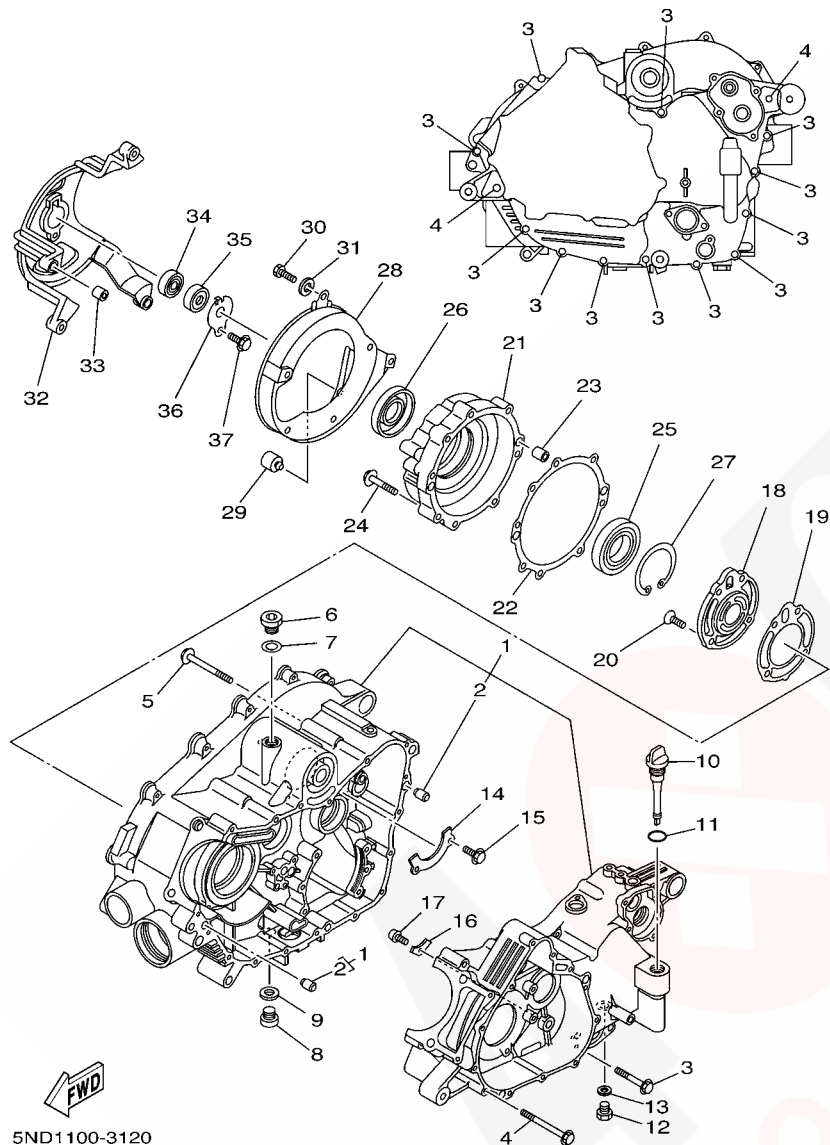
5TE6100-C100

| REF. NO. | PART NO.     | DESCRIPTION          | EUR | QCE | REMARKS |
|----------|--------------|----------------------|-----|-----|---------|
| 28       | 98507-04008  | .SCREW, PAN HEAD     | 1   | 1   |         |
| 29       | 1FN-14565-00 | .SCREW               | 1   | 1   |         |
| 30       | 5DM-14985-00 | .FLOAT               | 1   | 1   |         |
| 31       | 5GH-14197-00 | .PIPE                | 1   | 1   |         |
| 32       | 98501-04014  | .SCREW, PAN HEAD     | 2   | 2   |         |
| 33       | 92902-04100  | .WASHER, SPRING      | 2   | 2   |         |
| 34       | 92907-04600  | .WASHER              | 1   | 1   |         |
| 35       | 5GH-14937-00 | .CLIP                | 1   | 1   |         |
| 36       | 4KM-14142-17 | .JET, PILOT (# 17.5) | 1   | 1   |         |
| 37       | 5ND-1490H-00 | .DIAPHRAGM SET 5     | 1   | 1   |         |
| 38       | 5FU-E4155-00 | .GUIDE, CABLE        | 1   | 1   | (YMUS)  |
| 39       | 5GH-14103-01 | .THROTTLE SCREW SET  | 1   | 1   |         |
| 40       | 5GH-14918-00 | .RING                | 1   | 1   |         |
| 41       | 4XE-14937-00 | .CLIP                | 1   | 1   |         |
| 42       | 256-14956-01 | .WASHER              | 1   | 1   |         |
| 43       | 3DM-14216-00 | .SCREW               | 1   | 1   |         |



**FIG. 11 EXHAUST**

| REF. NO. | PART NO.     | DESCRIPTION             | EUR | QCE | REMARKS |
|----------|--------------|-------------------------|-----|-----|---------|
| 1        | 5ND-E4611-00 | PIPE, EXHAUST 1         | 1   | 1   | (YMUS)  |
| 2        | 5ND-E4628-00 | PROTECTOR, EXHAUST PIPE | 1   | 1   | (YMUS)  |
| 3        | 9581P-06010  | BOLT, FLANGE            | 3   | 3   | (YMUS)  |
| 4        | 5ND-E477K-00 | PLATE 1                 | 1   | 1   | (YMUS)  |
| 5        | 9581P-06016  | BOLT, FLANGE            | 2   | 2   | (YMUS)  |
| 6        | 90179-08410  | NUT                     | 2   | 2   |         |
| 7        | 3GD-14613-00 | GASKET, EXHAUST PIPE    | 1   | 1   |         |
| 8        | 5ND-E4711-00 | MUFFLER 1               | 1   | 1   | (YMUS)  |
| 9        | 5ND-E4752-00 | PIPE, OUTLET            | 1   | 1   | (YMUS)  |
| 10       | 5ND-E4719-00 | BOLT, MUFFLER           | 3   | 3   | (YMUS)  |
| 11       | 5ND-E4718-00 | PROTECTOR, MUFFLER 1    | 1   | 1   | (YMUS)  |
| 12       | 5ND-E4788-00 | BAND, SILENCER          | 2   | 2   | (YMUS)  |
| 13       | 5ND-E4728-00 | PROTECTOR, MUFFLER 2    | 1   | 1   | (YMUS)  |
| 14       | 9581P-06008  | BOLT, FLANGE            | 3   | 3   | (YMUS)  |
| 15       | 5ND-E4715-00 | BAND, MUFFLER           | 1   | 1   | (YMUS)  |
| 16       | 5ND-E4777-00 | BOLT                    | 2   | 2   | (YMUS)  |
| 17       | 5ND-E4759-00 | WASHER                  | 2   | 2   | (YMUS)  |
| 18       | 5ND-E4714-00 | GASKET, MUFFLER         | 1   | 1   | (YMUS)  |
| 19       | 95827-10040  | BOLT, FLANGE            | 2   | 2   |         |
| 20       | 90201-106E0  | WASHER, PLATE           | 2   | 2   |         |
| 21       | 5ND-E4737-00 | DAMPÉR, MUFFLER         | 2   | 2   | (YMUS)  |
| 22       | 90387-10636  | COLLAR                  | 2   | 2   |         |
| 23       | 90201-06008  | WASHER, PLAIN           | 3   | 3   |         |

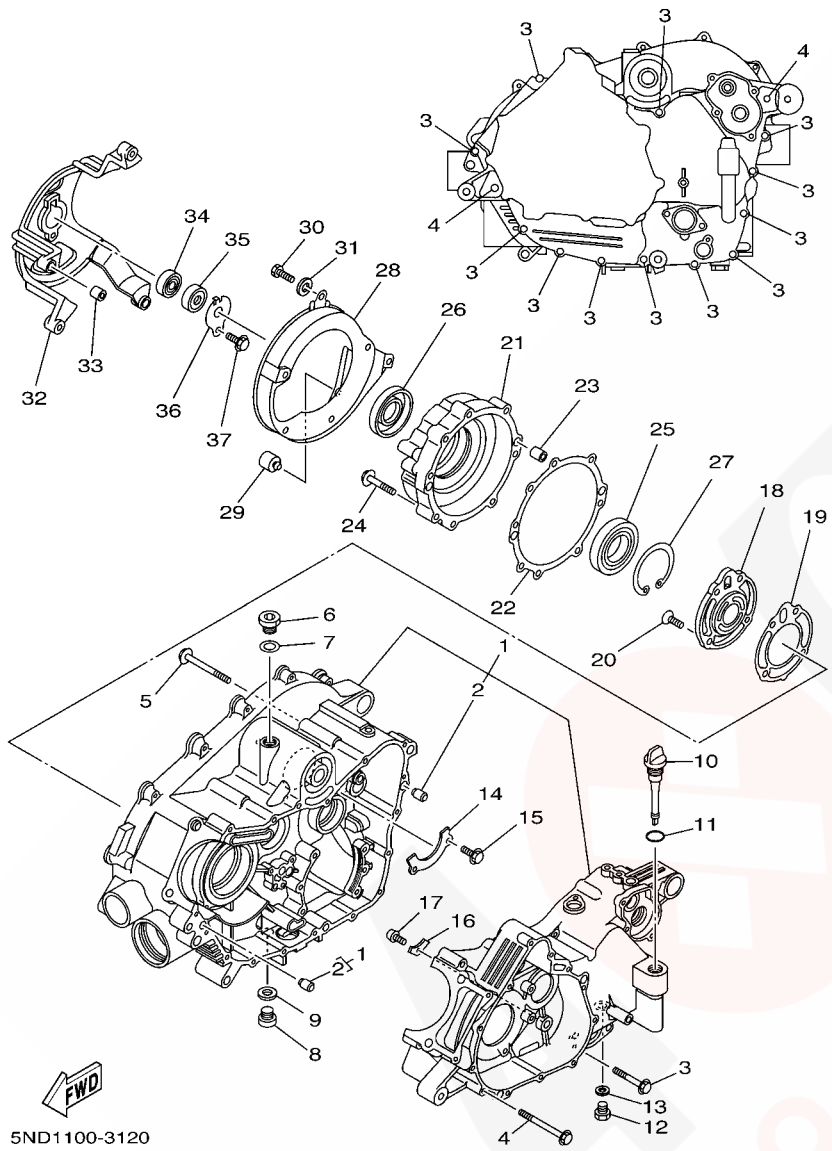


5ND1100-3120

FIG. 12 CRANKCASE

| REF. NO. | PART NO.     | DESCRIPTION                 | EUR | QTY | REMARKS |
|----------|--------------|-----------------------------|-----|-----|---------|
| 1        | 5TE-15100-00 | CRANKCASE ASSY              | 1   | 1   |         |
| 2        | 99530-10014  | .PIN, DOWEL                 | 2   | 2   |         |
| 3        | 95027-06040  | BOLT, FLANGE                | 12  | 12  |         |
| 4        | 95027-06065  | BOLT, FLANGE                | 2   | 2   |         |
| 5        | 95027-06065  | BOLT, FLANGE                | 3   | 3   |         |
| 6        | 90340-18101  | PLUG, STRAIGHT SCREW        | 1   | 1   |         |
| 7        | 90430-18130  | GASKET                      | 1   | 1   |         |
| 8        | 90340-14046  | PLUG, STRAIGHT SCREW        | 1   | 1   |         |
| 9        | 214-11198-01 | GASKET                      | 1   | 1   |         |
| 10       | 5GH-15362-00 | PLUG, OIL LEVEL             | 1   | 1   |         |
| 11       | 93210-19522  | O-RING                      | 1   | 1   |         |
| 12       | 90340-14029  | PLUG, STRAIGHT SCREW        | 1   | 1   |         |
| 13       | 214-11198-01 | GASKET                      | 1   | 1   |         |
| 14       | 5GH-15388-00 | PLATE, BEARING COVER        | 1   | 1   |         |
| 15       | 95827-06012  | BOLT, FLANGE                | 2   | 2   |         |
| 16       | 2K7-15383-00 | PLATE, BEARING COVER        | 1   | 1   |         |
| 17       | 90151-06014  | SCREW, COUNTERSUNK          | 1   | 1   |         |
| 18       | 5GH-15414-00 | COVER, AIR CLEANER          | 1   | 1   |         |
| 19       | 5GH-15454-00 | GASKET, AIR CLEANER COVER 1 | 1   | 1   |         |
| 20       | 98707-06020  | SCREW, FLAT HEAD            | 4   | 4   |         |
| 21       | 5GH-15163-00 | HOUSING, BEARING 1          | 1   | 1   |         |
| 22       | 5GH-15463-00 | GASKET, CARBURETOR COVER 2  | 1   | 1   |         |
| 23       | 99530-10114  | PIN, DOWEL                  | 2   | 2   |         |
| 24       | 95027-06040  | BOLT, FLANGE                | 8   | 8   |         |
| 25       | 93316-01003  | BEARING                     | 1   | 1   |         |
| 26       | 93102-32483  | OIL SEAL                    | 1   | 1   |         |
| 27       | 99009-80500  | CIRCLIP                     | 1   | 1   |         |

FIG. 12 CRANKCASE



5ND1100-3120

| REF. NO. | PART NO.     | DESCRIPTION            | EUR | OCE | REMARKS |
|----------|--------------|------------------------|-----|-----|---------|
| 28       | 5GH-15333-00 | COVER                  | 1   | 1   |         |
| 29       | 5GH-15338-00 | DAMPER, ENGINE MOUNT 5 | 1   | 1   |         |
| 30       | 97017-06016  | BOLT                   | 6   | 6   |         |
| 31       | 92907-06600  | WASHER, PLATE          | 6   | 6   |         |
| 32       | 5GH-15442-00 | HOUSING, BEARING       | 1   | 1   |         |
| 33       | 91810-20001  | PIN, DOWEL             | 2   | 2   |         |
| 34       | 93306-20120  | BEARING                | 1   | 1   |         |
| 35       | 93101-12168  | OIL SEAL               | 1   | 1   |         |
| 36       | 4WV-15381-00 | PLATE, BEARING COVER   | 1   | 1   |         |
| 37       | 95027-06012  | BOLT, FLANGE           | 1   | 1   |         |

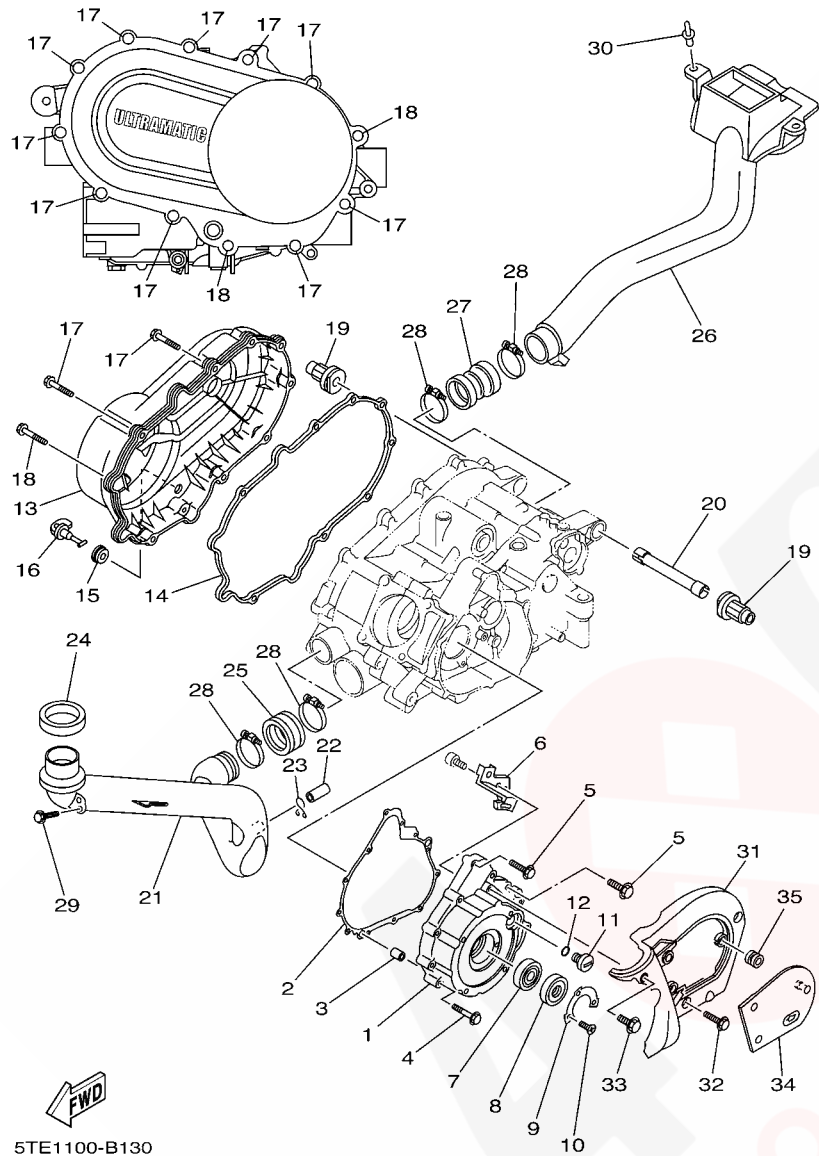
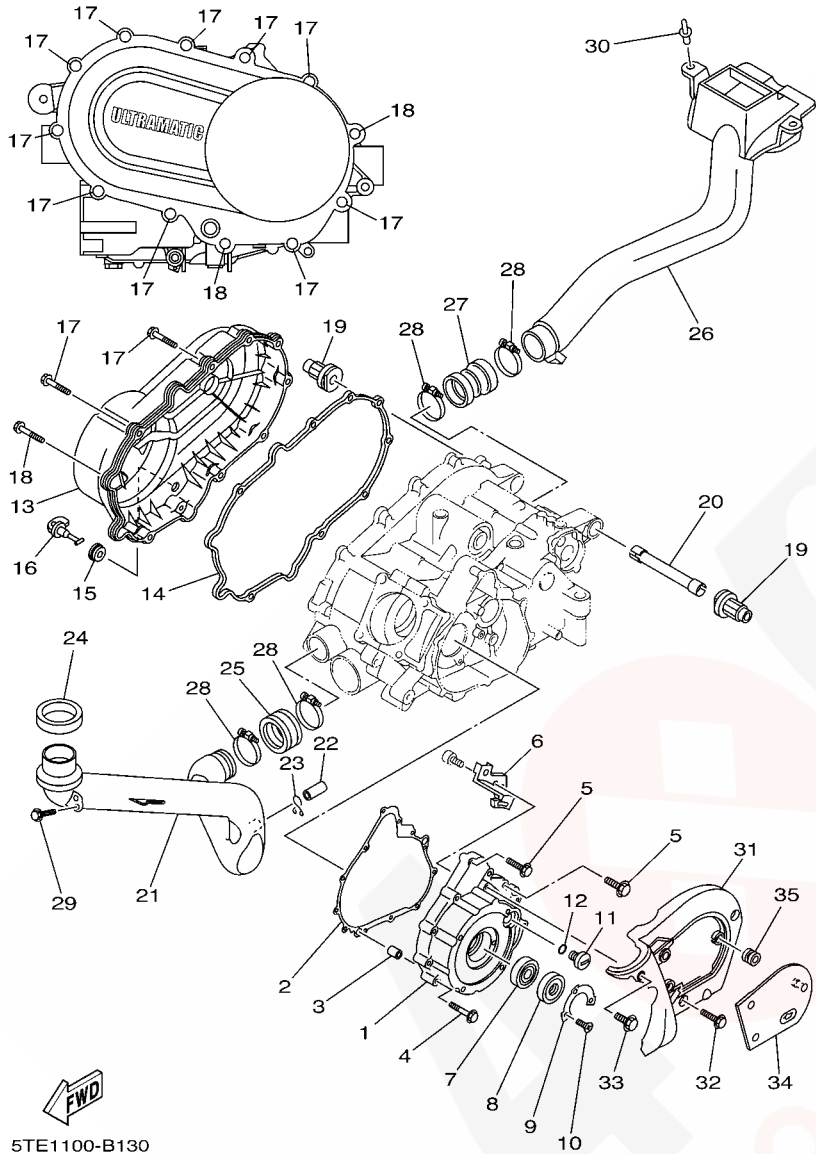


FIG. 13 CRANKCASE COVER 1

| REF. NO. | PART NO.     | DESCRIPTION               | EUR | QTY | REMARKS |
|----------|--------------|---------------------------|-----|-----|---------|
| 1        | 5GH-15411-00 | COVER, CRANKCASE 1        | 1   | 1   |         |
| 2        | 5GH-15451-00 | GASKET, CRANKCASE COVER 1 | 1   | 1   |         |
| 3        | 99530-10114  | PIN, DOWEL                | 2   | 2   |         |
| 4        | 95027-06040  | BOLT, FLANGE              | 8   | 8   |         |
| 5        | 95027-06030  | BOLT, FLANGE              | 4   | 4   |         |
| 6        | 5GH-15113-00 | PLATE                     | 1   | 1   |         |
| 7        | 93306-07801  | BEARING                   | 1   | 1   |         |
| 8        | 93102-28476  | OIL SEAL                  | 1   | 1   |         |
| 9        | 1UY-15719-00 | WASHER, THRUST            | 1   | 1   |         |
| 10       | 90151-05023  | SCREW, COUNTERSUNK        | 3   | 3   |         |
| 11       | 90340-14117  | PLUG, STRAIGHT SCREW      | 1   | 1   |         |
| 12       | 93210-14369  | O-RING                    | 1   | 1   |         |
| 13       | 5ND-15431-00 | COVER, CRANKCASE 3        | 1   | 1   |         |
| 14       | 5GH-15379-00 | SEAL, CRANKCASE           | 1   | 1   |         |
| 15       | 90480-13018  | GROMMET                   | 1   | 1   |         |
| 16       | 5KM-15351-00 | PLUG, DRAIN               | 1   | 1   |         |
| 17       | 95827-06035  | BOLT, FLANGE              | 10  | 10  |         |
| 18       | 95827-06045  | BOLT, FLANGE              | 2   | 2   |         |
| 19       | 5ND-E5336-00 | DAMPER, ENGINE MOUNT 3    | 2   | 2   | (YMUS)  |
| 20       | 5GH-15317-00 | SPACER, ENGINE MOUNT      | 1   | 1   |         |
| 21       | 5ND-E5471-00 | DUCT, AIR                 | 1   | 1   | (YMUS)  |
| 22       | 5BF-1443E-00 | PIPE, DRAIN               | 1   | 1   |         |
| 23       | 90467-16195  | CLIP                      | 1   | 1   |         |
| 24       | 5ND-E5434-00 | SEAL, CLEANER COVER       | 1   | 1   | (YMUS)  |
| 25       | 5ND-E5472-00 | SEAL, AIR DUCT            | 1   | 1   | (YMUS)  |
| 26       | 5ND-E5473-00 | DUCT, AIR                 | 1   | 1   | (YMUS)  |
| 27       | 5ND-E5474-00 | SEAL, AIR DUCT            | 1   | 1   | (YMUS)  |

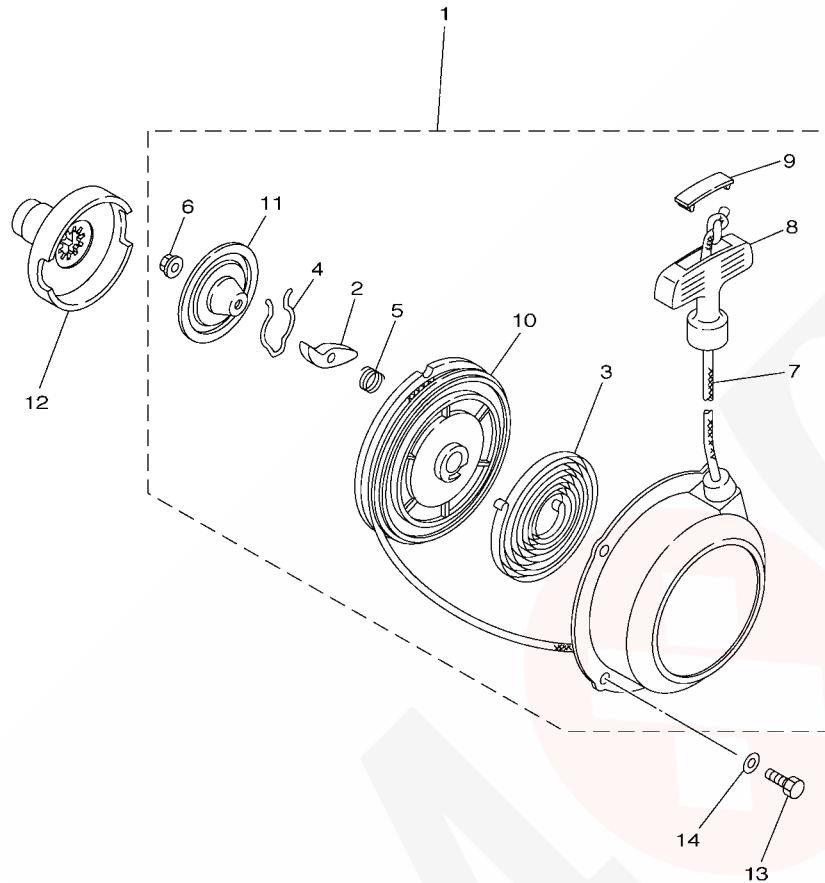


5TE1100-B130

FIG. 13 CRANKCASE COVER 1

| REF. NO. | PART NO.     | DESCRIPTION     | EUR | QCE | REMARKS |
|----------|--------------|-----------------|-----|-----|---------|
| 28       | 90450-64089  | HOSE CLAMP ASSY | 4   | 4   |         |
| 29       | 95807-06014  | BOLT, FLANGE    | 1   | 1   |         |
| 30       | 90269-08813  | RIVET           | 2   | 2   | (YMUS)  |
| 31       | 5ND-E5423-00 | COVER 2         | 1   | 1   | (YMUS)  |
| 32       | 95027-06014  | BOLT, FLANGE    | 2   | 2   |         |
| 33       | 95027-06035  | BOLT, FLANGE    | 1   | 1   |         |
| 34       | 5ND-E5413-00 | COVER           | 1   | 1   | (YMUS)  |
| 35       | 90480-13398  | GROMMET         | 3   | 3   |         |

FIG. 14 STARTER



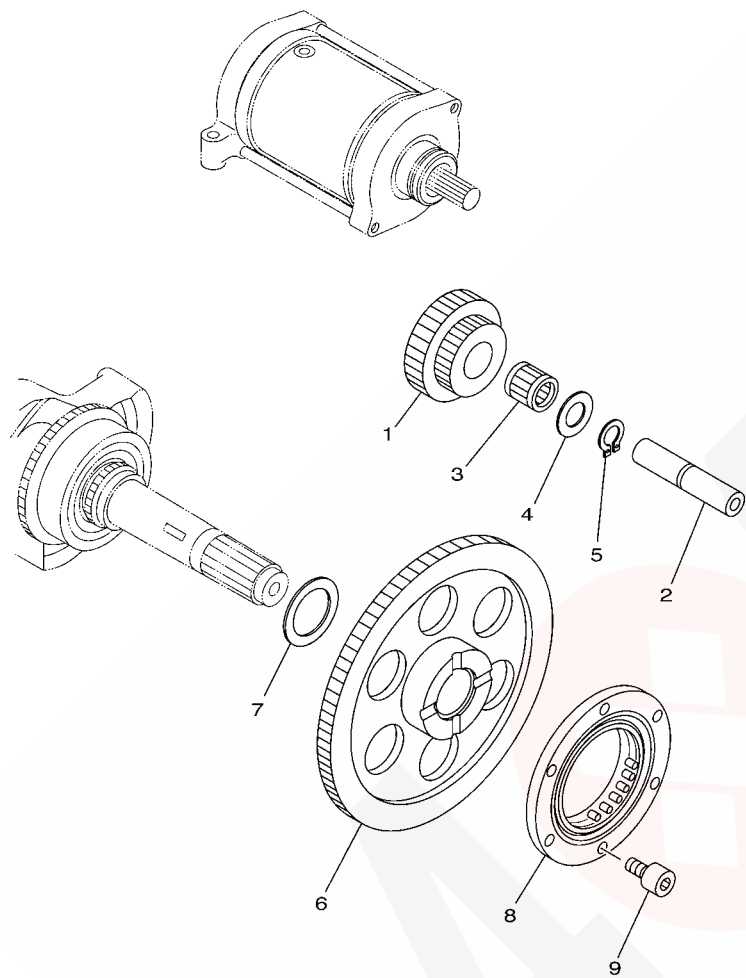
| REF. NO. | PART NO.     | DESCRIPTION       | EUR | OCE | REMARKS |
|----------|--------------|-------------------|-----|-----|---------|
| 1        | 5GH-15710-30 | STARTER ASSY      | 1   | 1   |         |
| 2        | 21V-15741-00 | .PAWL, DRIVE      | 1   | 1   |         |
| 3        | 21V-15713-00 | .SPRING, STARTER  | 1   | 1   |         |
| 4        | 21V-15715-01 | .SPRING, FRICTION | 1   | 1   |         |
| 5        | 21V-15767-00 | .SPRING           | 1   | 1   |         |
| 6        | 95702-06500  | .NUT, FLANGE      | 1   | 1   |         |
| 7        | 21V-15751-00 | .WIRE, STARTER    | 1   | 1   |         |
| 8        | 3X3-15755-00 | .HANDLE, STARTER  | 1   | 1   |         |
| 9        | 21V-15779-00 | .COVER            | 1   | 1   |         |
| 10       | 24W-15714-00 | .DRUM, SHEAVE     | 1   | 1   |         |
| 11       | 21V-15716-01 | .PLATE, DRIVE     | 1   | 1   |         |
| 12       | 1UY-15723-00 | PULLEY, STARTER   | 1   | 1   |         |
| 13       | 97017-06014  | BOLT              | 4   | 4   |         |
| 14       | 92907-06600  | WASHER, PLATE     | 4   | 4   |         |



5TE6100-C140



FIG. 15 STARTER CLUTCH



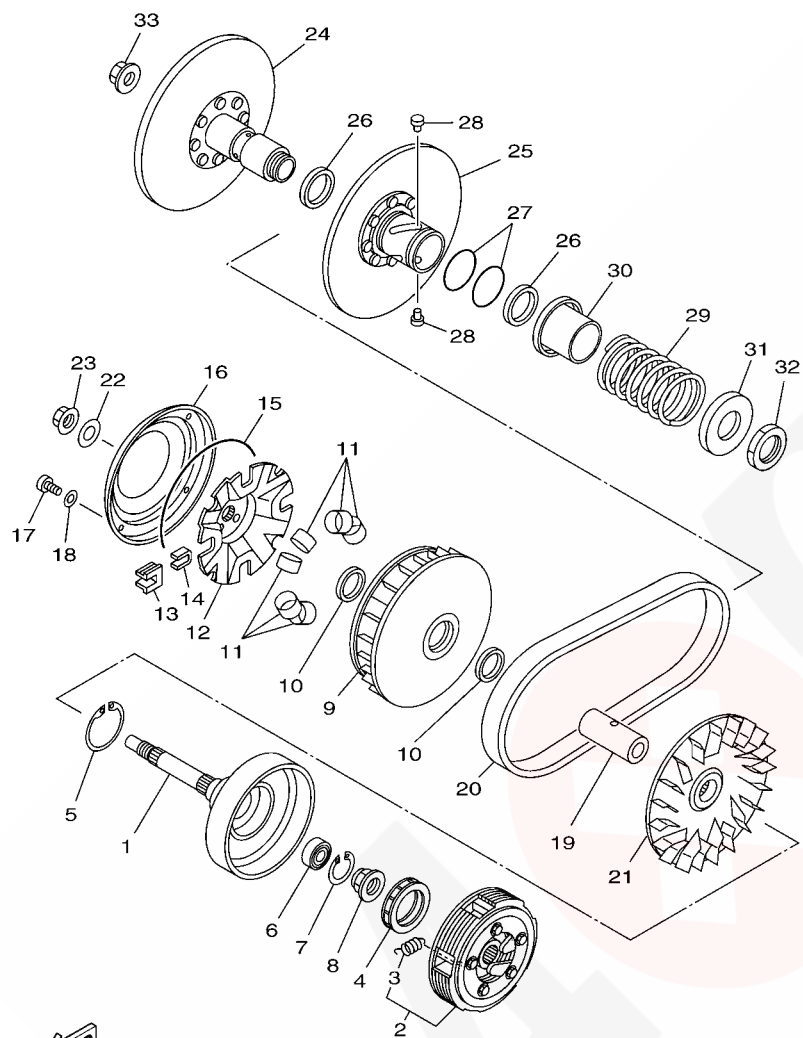
| REF. NO. | PART NO.     | DESCRIPTION          | EUR | OCE | REMARKS |
|----------|--------------|----------------------|-----|-----|---------|
| 1        | 5GH-15512-00 | GEAR, IDLER 1        | 1   | 1   |         |
| 2        | 4KB-15522-01 | SHAFT 2              | 1   | 1   |         |
| 3        | 93310-212R6  | BEARING              | 1   | 1   |         |
| 4        | 90201-123K4  | WASHER, PLATE        | 1   | 1   |         |
| 5        | 99009-12400  | CIRCLIP              | 1   | 1   |         |
| 6        | 5GH-15517-10 | GEAR, IDLER 2        | 1   | 1   |         |
| 7        | 90201-25291  | WASHER, PLATE        | 1   | 1   |         |
| 8        | 1UY-15590-01 | STARTER ONE-WAY ASSY | 1   | 1   |         |
| 9        | 91317-08016  | BOLT                 | 6   | 6   |         |



5GHK110-2150



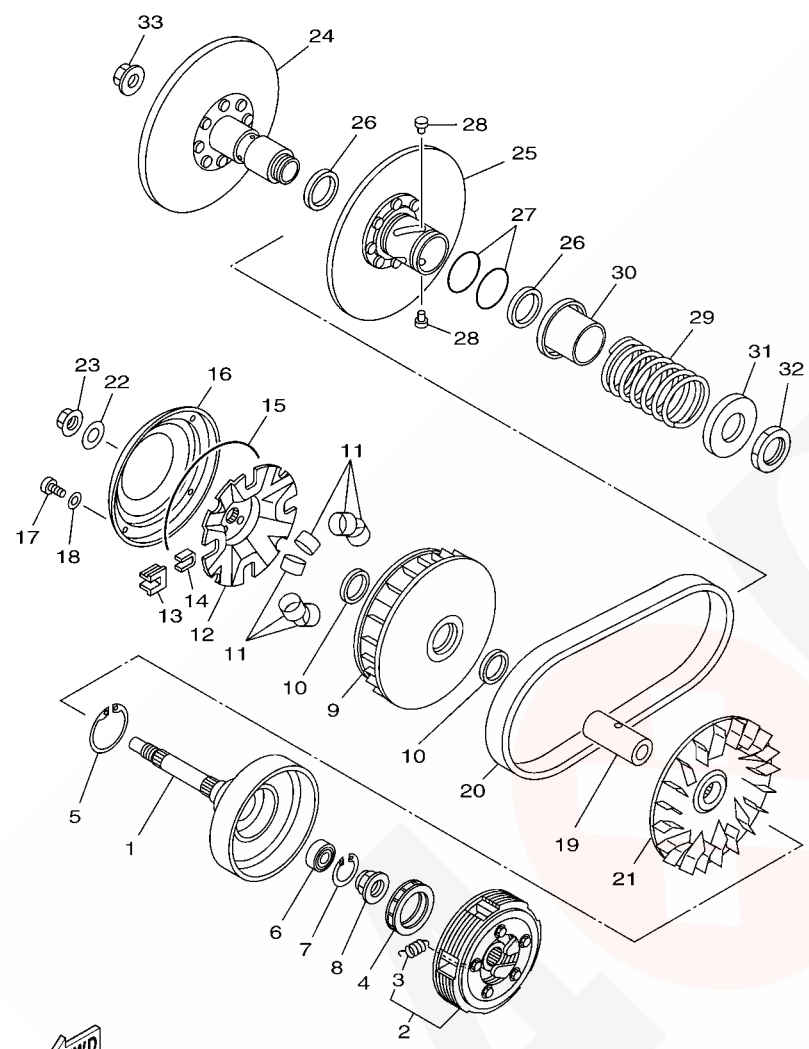
FIG. 16 CLUTCH



  
5GH1110-0161

| REF. NO. | PART NO.     | DESCRIPTION                  | EUR | QCE | REMARKS |
|----------|--------------|------------------------------|-----|-----|---------|
| 1        | 5GH-16611-00 | CLUTCH HOUSING COMP.         | 1   | 1   |         |
| 2        | 5GH-16620-00 | CLUTCH CARRIER ASSY          | 1   | 1   |         |
| 3        | 5GH-16626-00 | .SPRING, CLUTCH WEIGHT 1     | 5   | 5   |         |
| 4        | 5GH-16664-00 | BEARING, ONE WAY             | 1   | 1   |         |
| 5        | 93410-46079  | CIRCLIP                      | 1   | 1   |         |
| 6        | 93315-21813  | BEARING                      | 1   | 1   |         |
| 7        | 93450-24062  | CIRCLIP                      | 1   | 1   |         |
| 8        | 90179-22005  | NUT                          | 1   | 1   |         |
| 9        | 5GH-17620-00 | PRIMARY SLIDING SHEAVE COMP. | 1   | 1   |         |
| 10       | 93101-31167  | OIL SEAL                     | 2   | 2   |         |
| 11       | 5GH-17632-00 | WEIGHT                       | 8   | 8   |         |
| 12       | 5GH-17623-00 | CAM                          | 1   | 1   |         |
| 13       | 4WV-17653-00 | SLIDER                       | 1   | 1   |         |
| 14       | 4WV-17654-01 | SPACER 1                     | 1   | 1   |         |
| 15       | 93211-52001  | O-RING                       | 1   | 1   |         |
| 16       | 5GH-17639-00 | STOPPER                      | 1   | 1   |         |
| 17       | 90157-04088  | SCREW, PAN HEAD              | 4   | 4   |         |
| 18       | 90201-047R9  | WASHER, PLATE                | 4   | 4   |         |
| 19       | 90387-1914K  | COLLAR                       | 1   | 1   |         |
| 20       | 5GH-17641-00 | V-BELT                       | 1   | 1   |         |
| 21       | 5GH-17611-00 | SHEAVE, PRIMARY FIXED        | 1   | 1   |         |
| 22       | 90201-190T7  | WASHER, PLATE                | 1   | 1   |         |
| 23       | 90179-16690  | NUT                          | 1   | 1   |         |
| 24       | 5GH-17660-00 | SECONDARY FIXED SHEAVE COMP. | 1   | 1   |         |
| 25       | 5GH-17670-00 | SECONDARY SLIDING SHEAVE     | 1   | 1   |         |
| 26       | 93104-41119  | OIL SEAL                     | 2   | 2   |         |
| 27       | 93210-44545  | O-RING                       | 2   | 2   |         |

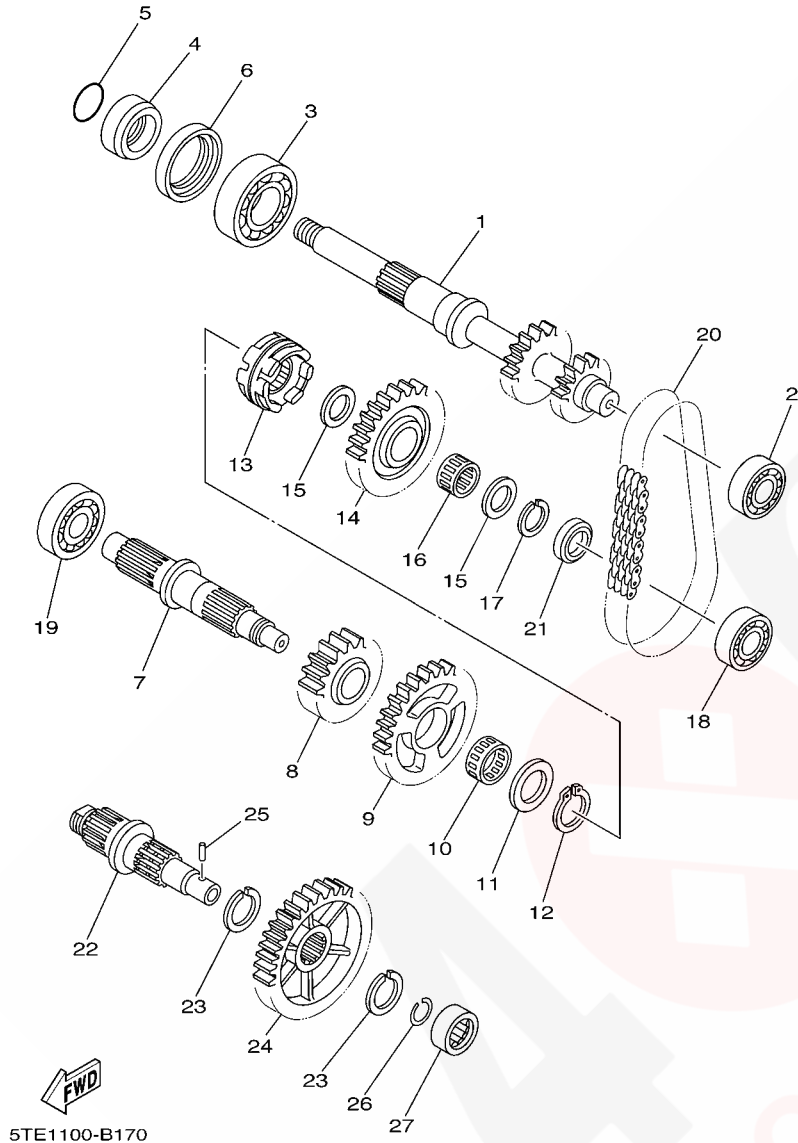
FIG. 16 CLUTCH



| REF. NO. | PART NO.     | DESCRIPTION            | EUR | QCE | REMARKS |
|----------|--------------|------------------------|-----|-----|---------|
| 28       | 4CW-17664-00 | PIN, GUIDE             | 4   | 4   |         |
| 29       | 90501-626L9  | SPRING, COMPRESSION    | 1   | 1   |         |
| 30       | 4WV-17684-00 | SEAT, SECONDARY SPRING | 1   | 1   |         |
| 31       | 4WV-17644-00 | SEAT,SPRING            | 1   | 1   |         |
| 32       | 90170-36279  | NUT                    | 1   | 1   |         |
| 33       | 90179-16690  | NUT                    | 1   | 1   |         |

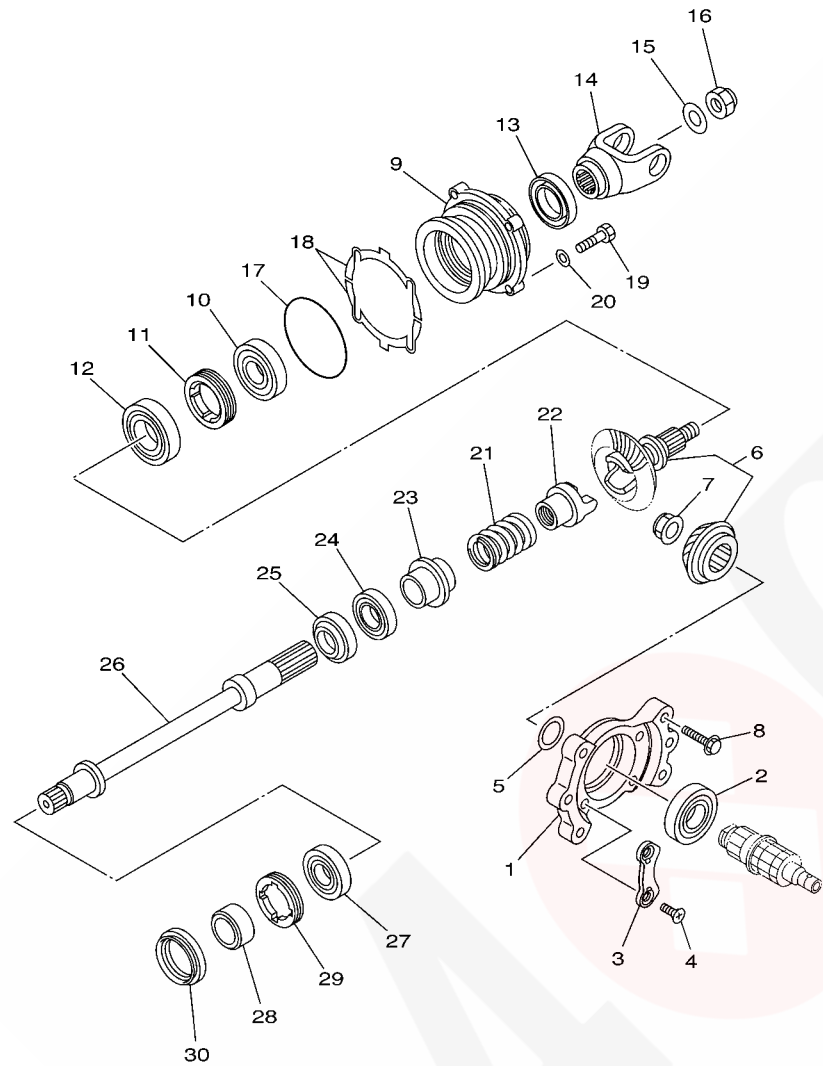
 5GH1110-0161

FIG. 17 TRANSMISSION



5TE1100-B170

| REF. NO. | PART NO.     | DESCRIPTION              | EUR | OCE |  |  | REMARKS |
|----------|--------------|--------------------------|-----|-----|--|--|---------|
| 1        | 5TE-17681-00 | SHAFT, SECONDARY         | 1   | 1   |  |  |         |
| 2        | 93306-00415  | BEARING (B6004)          | 1   | 1   |  |  |         |
| 3        | 93306-20601  | BEARING (B6206C3)        | 1   | 1   |  |  |         |
| 4        | 90387-26001  | COLLAR                   | 1   | 1   |  |  |         |
| 5        | 93210-26001  | O-RING                   | 1   | 1   |  |  |         |
| 6        | 93102-42004  | OIL SEAL                 | 1   | 1   |  |  |         |
| 7        | 5TE-17402-00 | DRIVE AXLE ASSY          | 1   | 1   |  |  |         |
| 8        | 5GH-17582-00 | GEAR, MIDDLE DRIVE(24T)  | 1   | 1   |  |  |         |
| 9        | 5GH-17223-00 | GEAR, HIGH WHEEL(38T)    | 1   | 1   |  |  |         |
| 10       | 93310-32590  | BEARING                  | 1   | 1   |  |  |         |
| 11       | 90201-250R9  | WASHER, PLATE            | 1   | 1   |  |  |         |
| 12       | 93440-25084  | CIRCLIP                  | 1   | 1   |  |  |         |
| 13       | 5GT-17285-00 | CLUTCH, DOG              | 1   | 1   |  |  |         |
| 14       | 5GH-17453-10 | SPROCKET, DRIVEN(29T)    | 1   | 1   |  |  |         |
| 15       | 90201-20278  | WASHER, PLATE            | 2   | 2   |  |  |         |
| 16       | 93310-420F2  | BEARING                  | 1   | 1   |  |  |         |
| 17       | 93410-20038  | CIRCLIP                  | 1   | 1   |  |  |         |
| 18       | 93306-30201  | BEARING (B6302)          | 1   | 1   |  |  |         |
| 19       | 93306-20464  | BEARING                  | 1   | 1   |  |  |         |
| 20       | 94591-54038  | CHAIN(23RH302-38 ASM)    | 1   | 1   |  |  |         |
| 21       | 5TE-17158-00 | COLLAR 1                 | 1   | 1   |  |  |         |
| 22       | 5GT-17523-00 | SHAFT                    | 1   | 1   |  |  |         |
| 23       | 93440-25084  | CIRCLIP                  | 2   | 2   |  |  |         |
| 24       | 5GH-17583-00 | GEAR, MIDDLE DRIVEN(39T) | 1   | 1   |  |  |         |
| 25       | 93603-14240  | PIN, DOWEL               | 1   | 1   |  |  |         |
| 26       | 93440-14155  | CIRCLIP                  | 1   | 1   |  |  |         |
| 27       | 93311-42077  | BEARING                  | 1   | 1   |  |  |         |

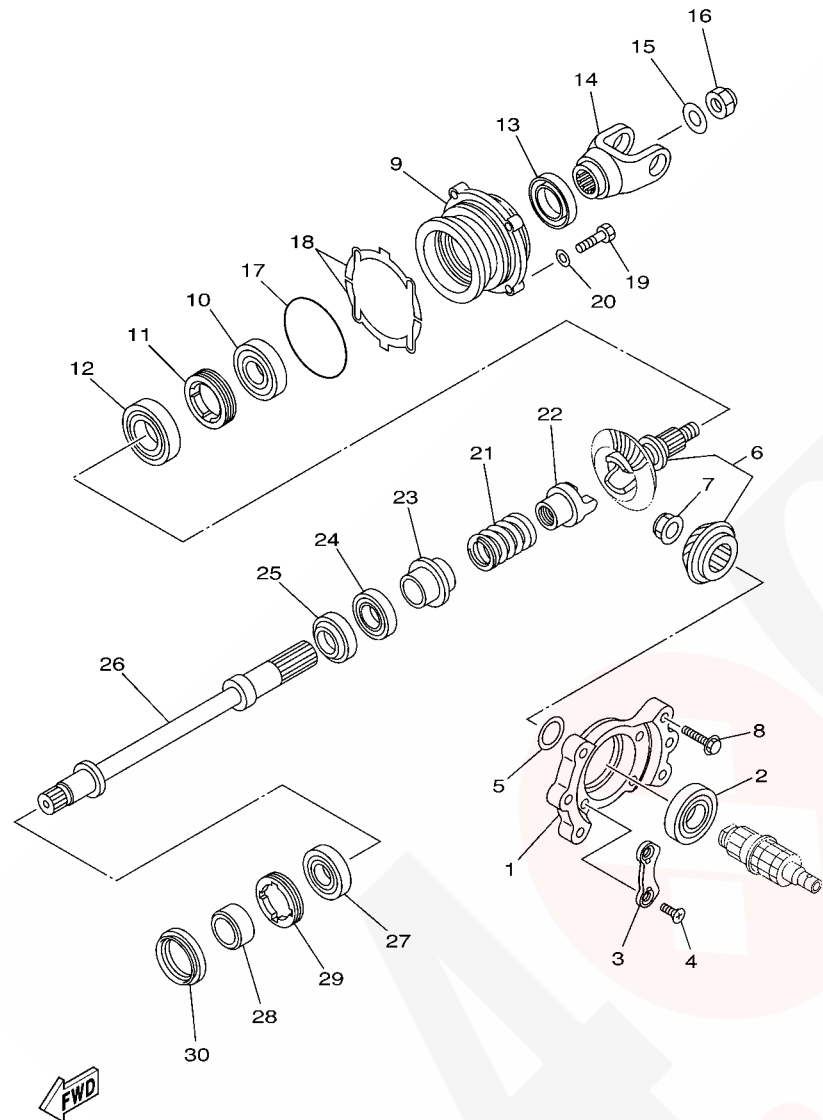


5GHK110-2180

FIG. 18 MIDDLE DRIVE GEAR

| REF. NO.     | PART NO.             | DESCRIPTION          | EUR | QTY | REMARKS |
|--------------|----------------------|----------------------|-----|-----|---------|
| 1            | 5GH-17521-00         | HOUSING, BEARING     | 1   | 1   |         |
| 2            | 93306-20622          | BEARING              | 1   | 1   |         |
| 3            | 11H-15383-02         | PLATE, BEARING COVER | 2   | 2   |         |
| 4            | 90149-08152          | SCREW                | 4   | 4   |         |
| 5            | 52G-17531-01         | SHIM, PINION (0.1T)  | 1   | 1   | UR      |
| 52G-17531-11 | SHIM, PINION (0.15T) | 1                    | 1   | UR  |         |
| 52G-17531-21 | SHIM, PINION (0.2T)  | 1                    | 1   | UR  |         |
| 52G-17531-31 | SHIM, PINION (0.3T)  | 1                    | 1   | UR  |         |
| 52G-17531-41 | SHIM, PINION (0.4T)  | 1                    | 1   | UR  |         |
| 52G-17531-51 | SHIM, PINION (0.5T)  | 1                    | 1   | UR  |         |
| 6            | 4WV-Y1754-00         | MIDDLE GEAR COMP.    | 1   | 1   |         |
| 7            | 90179-22526          | NUT                  | 1   | 1   |         |
| 8            | 95817-08030          | BOLT, FLANGE         | 6   | 6   |         |
| 9            | 5GH-17551-00         | HOUSING, BEARING     | 1   | 1   |         |
| 10           | 93306-30538          | BEARING              | 1   | 1   |         |
| 11           | 90179-65305          | NUT                  | 1   | 1   |         |
| 12           | 93306-20715          | BEARING              | 1   | 1   |         |
| 13           | 93101-35097          | OIL SEAL             | 1   | 1   |         |
| 14           | 5GH-17556-01         | YOKE, JOINT          | 1   | 1   |         |
| 15           | 90201-14633          | WASHER, PLATE        | 1   | 1   |         |
| 16           | 90185-14070          | NUT, SELF-LOCKING    | 1   | 1   |         |
| 17           | 93210-78544          | O-RING               | 1   | 1   |         |
| 18           | 5GH-17531-00         | SHIM, PINION (0.1T)  | 2   | 2   | UR      |
| 5GH-17531-10 | SHIM, PINION (0.15T) | 2                    | 2   | UR  |         |
| 5GH-17531-20 | SHIM, PINION (0.2T)  | 2                    | 2   | UR  |         |
| 5GH-17531-30 | SHIM, PINION (0.3T)  | 2                    | 2   | UR  |         |
| 5GH-17531-40 | SHIM, PINION (0.4T)  | 2                    | 2   | UR  |         |

C10



5GHK110-2180

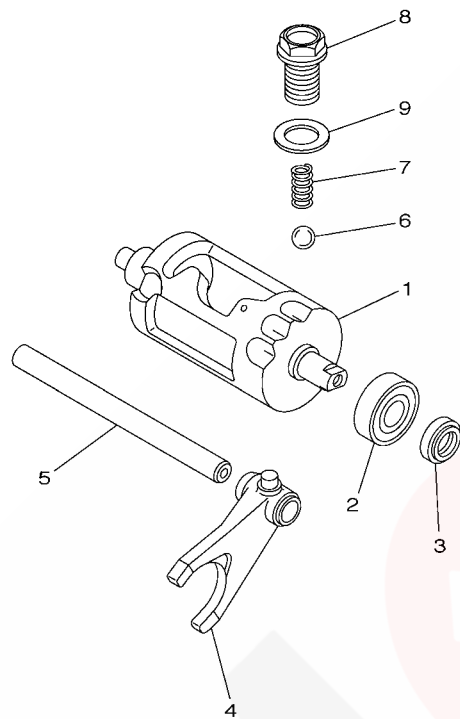


FIG. 18 MIDDLE DRIVE GEAR

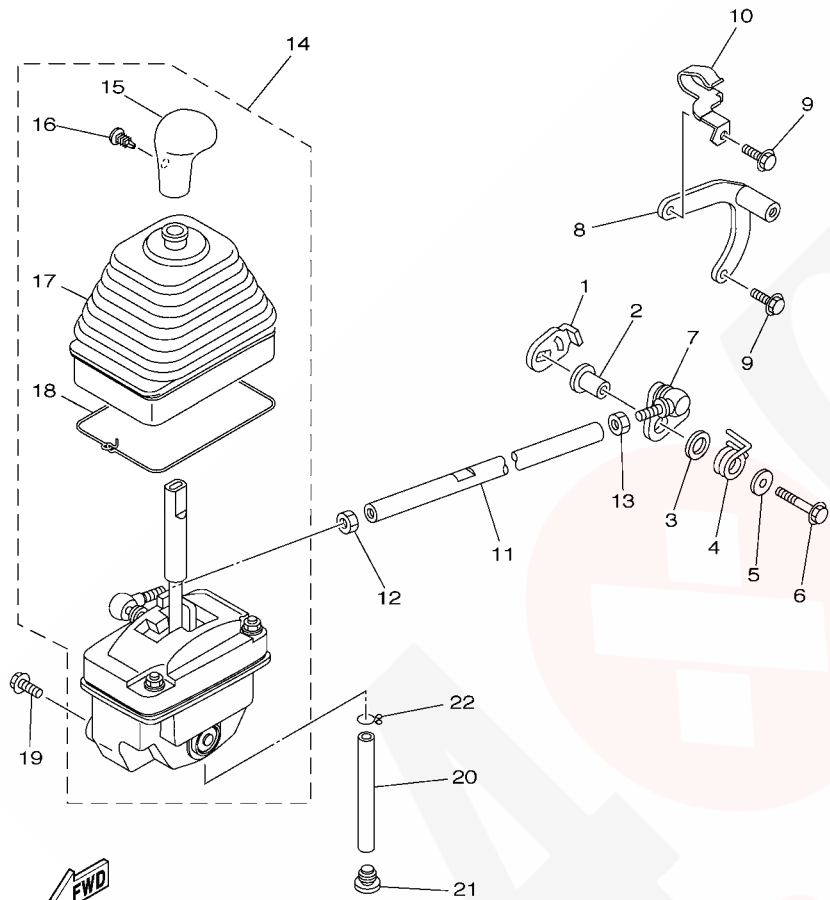
| REF. NO. | PART NO.     | DESCRIPTION         | EUR | OCE |  | REMARKS |
|----------|--------------|---------------------|-----|-----|--|---------|
| 18       | 5GH-17531-50 | SHIM, PINION (0.5T) | 2   | 2   |  | UR      |
|          | 5GH-17531-60 | SHIM, PINION (0.6T) | 2   | 2   |  | UR      |
| 19       | 97027-08030  | BOLT                | 4   | 4   |  |         |
| 20       | 92907-08600  | WASHER, PLATE       | 4   | 4   |  |         |
| 21       | 90501-650L5  | SPRING, COMPRESSION | 1   | 1   |  |         |
| 22       | 4VR-17527-00 | CAM, DRIVEN         | 1   | 1   |  |         |
| 23       | 5GH-17585-00 | COLLAR, GEAR        | 1   | 1   |  |         |
| 24       | 93306-00612  | BEARING             | 1   | 1   |  |         |
| 25       | 93102-30170  | OIL SEAL            | 1   | 1   |  |         |
| 26       | 5GH-1761A-00 | SHAFT, 1            | 1   | 1   |  |         |
| 27       | 93306-20582  | BEARING (62052RSC3) | 1   | 1   |  |         |
| 28       | 90387-252R2  | COLLAR              | 1   | 1   |  |         |
| 29       | 90179-55660  | NUT                 | 1   | 1   |  |         |
| 30       | 93102-35380  | OIL SEAL            | 1   | 1   |  |         |

C11

**FIG. 19 SHIFT CAM & FORK**



| REF. NO. | PART NO.     | DESCRIPTION             | EUR | QCE |  | REMARKS |
|----------|--------------|-------------------------|-----|-----|--|---------|
| 1        | 5TE-18541-00 | CAM, SHIFT              | 1   | 1   |  |         |
| 2        | 93306-00208  | BEARING                 | 1   | 1   |  |         |
| 3        | 93102-15212  | OIL SEAL                | 1   | 1   |  |         |
| 4        | 5GH-18511-00 | FORK, SHIFT 1           | 1   | 1   |  |         |
| 5        | 4KB-18531-01 | BAR, SHIFT FORK GUIDE 1 | 1   | 1   |  |         |
| 6        | 93503-08007  | BALL                    | 1   | 1   |  |         |
| 7        | 90501-10353  | SPRING, COMPRESSION     | 1   | 1   |  |         |
| 8        | 90105-14367  | BOLT, FLANGE            | 1   | 1   |  |         |
| 9        | 90430-14042  | GASKET                  | 1   | 1   |  |         |
|          |              |                         |     |     |  |         |
|          |              |                         |     |     |  |         |
|          |              |                         |     |     |  |         |
|          |              |                         |     |     |  |         |



5TE6100-C200



FIG. 20 SHIFT SHAFT

| REF. NO. | PART NO.     | DESCRIPTION        | EUR | OCE | REMARKS |
|----------|--------------|--------------------|-----|-----|---------|
| 1        | 4SH-18198-00 | LEVER              | 1   | 1   |         |
| 2        | 90387-0613B  | COLLAR             | 1   | 1   |         |
| 3        | 90201-132G5  | WASHER, PLATE      | 1   | 1   |         |
| 4        | 90508-35012  | SPRING, TORSION    | 1   | 1   |         |
| 5        | 90201-06008  | WASHER, PLATE      | 1   | 1   |         |
| 6        | 95817-06035  | BOLT, FLANGE       | 1   | 1   |         |
| 7        | 5TE-18191-00 | LEVER              | 1   | 1   |         |
| 8        | 5TE-18128-00 | BRACKET            | 1   | 1   |         |
| 9        | 95027-06016  | BOLT, FLANGE       | 2   | 2   |         |
| 10       | 90465-08336  | CLAMP              | 1   | 1   |         |
| 11       | 5TE-18115-00 | ROD, SHIFT         | 1   | 1   |         |
| 12       | 90170-08358  | NUT                | 1   | 1   |         |
| 13       | 95307-08700  | NUT                | 1   | 1   |         |
| 14       | 5TE-18300-10 | SHIFTER ASSY       | 1   | 1   |         |
| 15       | 5TE-18174-00 | .KNOB, SHIFT LEVER | 1   | 1   |         |
| 16       | 90269-05055  | .RIVET             | 1   | 1   |         |
| 17       | 5GH-18131-00 | .BOOT, SEALING     | 1   | 1   |         |
| 18       | 5GH-18617-00 | .STOPPER,RUBBER    | 1   | 1   |         |
| 19       | 95807-08020  | BOLT, FLANGE       | 3   | 3   |         |
| 20       | 90446-16001  | HOSE (L90)         | 1   | 1   |         |
| 21       | 5ND-E4191-00 | PLUG, DRAIN        | 1   | 1   | (YMUS)  |
| 22       | 90467-15012  | CLIP               | 1   | 1   |         |

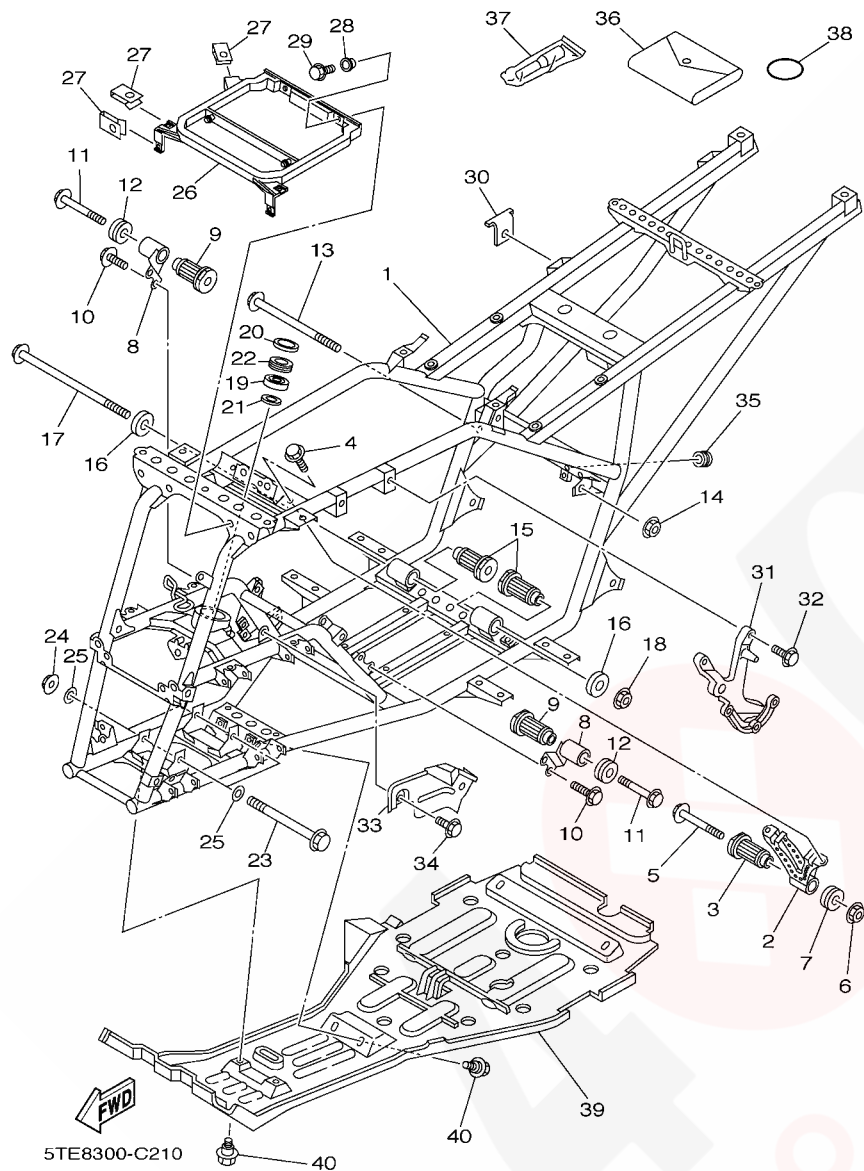
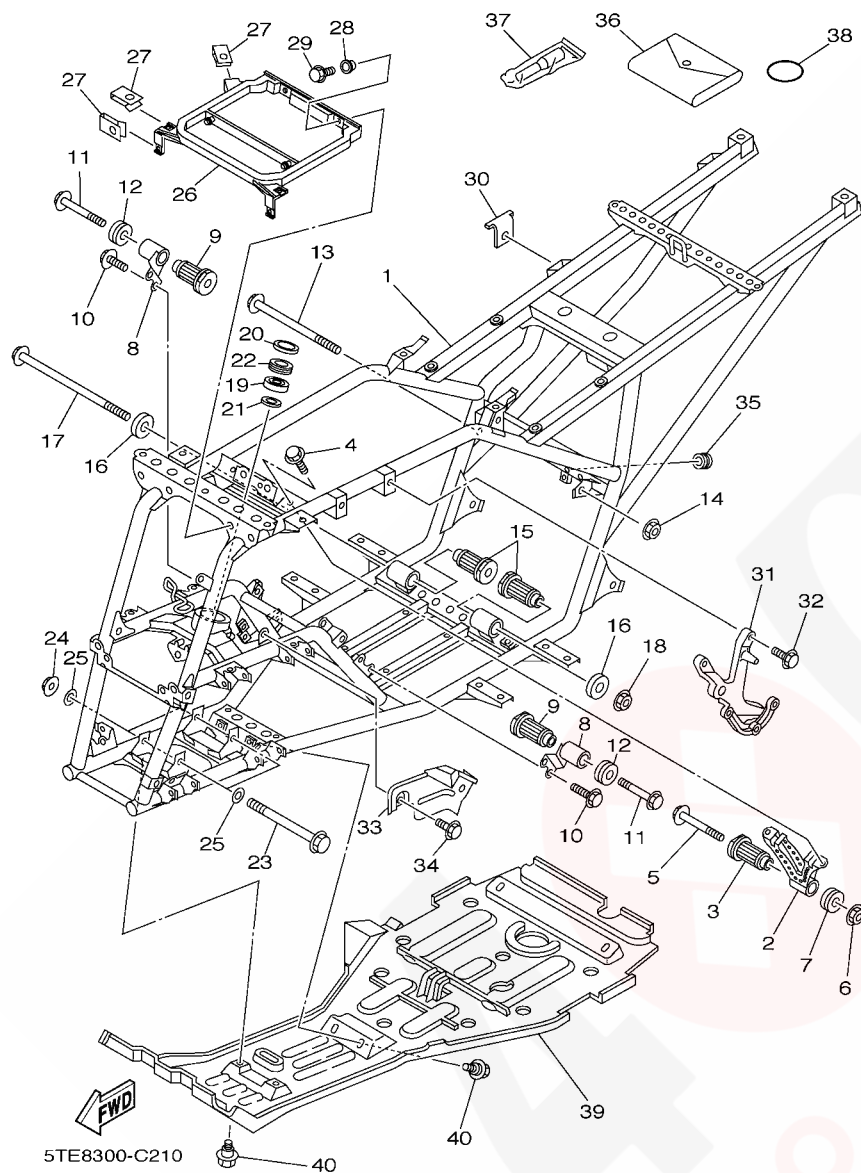


FIG. 21 FRAME

| REF. NO. | PART NO.     | DESCRIPTION            | EUR | OCE | REMARKS |
|----------|--------------|------------------------|-----|-----|---------|
| 1        | 5TE-F1110-01 | FRAME COMP.            | 1   | 1   | (YMUS)  |
| 2        | 5ND-F1315-00 | STAY, ENGINE 2         | 1   | 1   | (YMUS)  |
| 3        | 5ND-E5336-00 | DAMPER, ENGINE MOUNT 3 | 1   | 1   | (YMUS)  |
| 4        | 9581P-08012  | BOLT, FLANGE           | 2   | 2   | (YMUS)  |
| 5        | 95817-10110  | BOLT, FLANGE           | 1   | 1   |         |
| 6        | 95607-10200  | NUT, SELF-LOCKING      | 1   | 1   |         |
| 7        | 5ND-F1486-00 | DAMPER 2               | 1   | 1   | (YMUS)  |
| 8        | 5ND-F1316-00 | STAY, ENGINE 3         | 2   | 2   | (YMUS)  |
| 9        | 5ND-E5336-00 | DAMPER, ENGINE MOUNT 3 | 2   | 2   | (YMUS)  |
| 10       | 9581P-08012  | BOLT, FLANGE           | 4   | 4   | (YMUS)  |
| 11       | 95817-10080  | BOLT, FLANGE           | 2   | 2   |         |
| 12       | 5ND-F1486-00 | DAMPER 2               | 2   | 2   | (YMUS)  |
| 13       | 90105-10055  | BOLT, FLANGE           | 1   | 1   |         |
| 14       | 95607-10200  | NUT, SELF-LOCKING      | 1   | 1   |         |
| 15       | 5ND-E5336-00 | DAMPER, ENGINE MOUNT 3 | 2   | 2   | (YMUS)  |
| 16       | 5ND-F1488-00 | DAMPER                 | 2   | 2   | (YMUS)  |
| 17       | 90105-10055  | BOLT, FLANGE           | 1   | 1   |         |
| 18       | 95607-10200  | NUT, SELF-LOCKING      | 1   | 1   |         |
| 19       | 93306-203YN  | BEARING                | 1   | 1   | (YMUS)  |
| 20       | 93102-25081  | OIL SEAL               | 1   | 1   |         |
| 21       | 93102-25099  | OIL SEAL               | 1   | 1   |         |
| 22       | 2GU-23872-00 | HOLDER, BEARING        | 1   | 1   |         |
| 23       | 90105-10051  | BOLT, FLANGE           | 2   | 2   |         |
| 24       | 95607-10200  | NUT, SELF-LOCKING      | 2   | 2   |         |
| 25       | 90201-101J1  | WASHER, PLATE          | 4   | 4   |         |
| 26       | 5ND-F1513-00 | STAY, FENDER 1         | 1   | 1   | (YMUS)  |
| 27       | 90183-06053  | NUT, SPRING            | 4   | 4   |         |





5TE8300-C210

FIG. 21 FRAME

| REF. NO. | PART NO.     | DESCRIPTION     | EUR | QCE | REMARKS |
|----------|--------------|-----------------|-----|-----|---------|
| 28       | 90387-06681  | COLLAR          | 2   | 2   |         |
| 29       | 95817-06012  | BOLT, FLANGE    | 2   | 2   |         |
| 30       | 5ND-F1446-00 | STAY, MUFFLER 2 | 1   | 1   | (YMUS)  |
| 31       | 5ND-F1585-01 | ARM             | 1   | 1   | (YMUS)  |
| 32       | 95827-08020  | BOLT, FLANGE    | 2   | 2   |         |
| 33       | 5ND-F2825-00 | PROTECTOR 1     | 1   | 1   | (YMUS)  |
| 34       | 95817-06010  | BOLT, FLANGE    | 2   | 2   |         |
| 35       | 90480-10517  | GROMMET         | 1   | 1   |         |
| 36       | 5ND-F8100-00 | TOOL KIT        | 1   | 1   | (YMUS)  |
| 37       | 1NV-2811A-01 | GAUGE, AIR      | 1   | 1   |         |
| 38       | 93210-64297  | O-RING          | 1   | 1   |         |
| 39       | 5ND-F147A-01 | GUARD, ENGINE 1 | 1   | 1   | (YMUS)  |
| 40       | 90109-063F1  | BOLT            | 8   | 8   |         |

C15

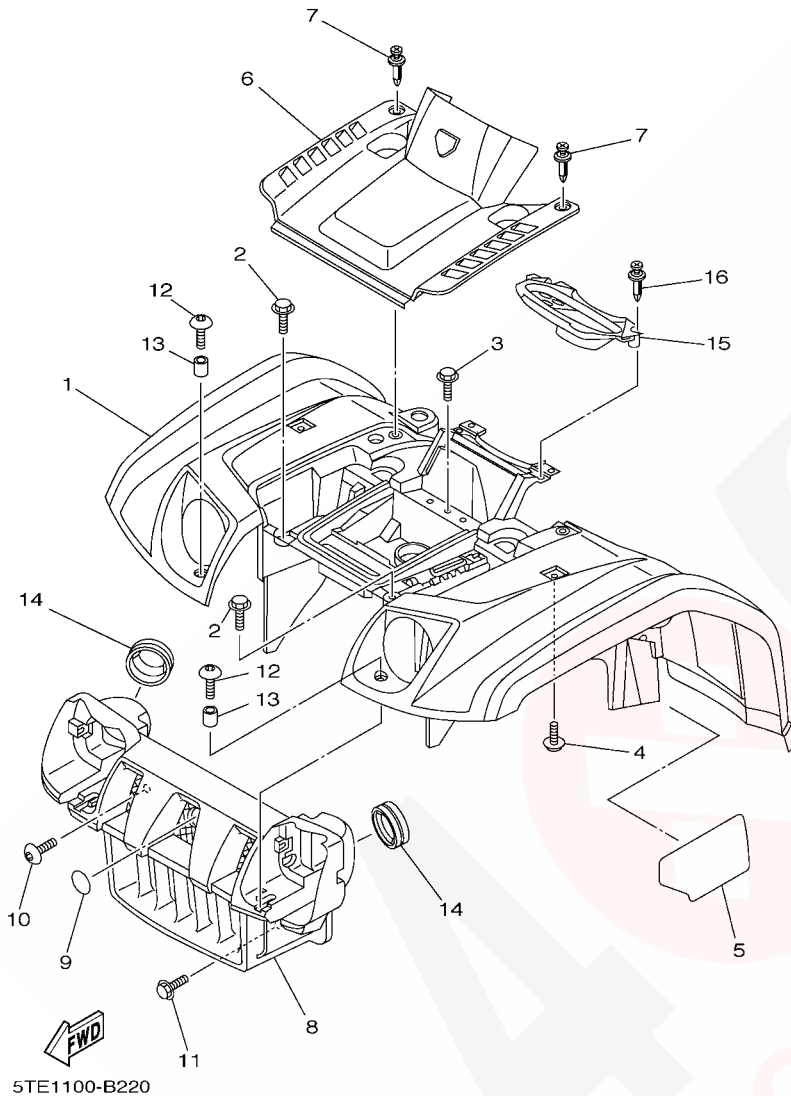
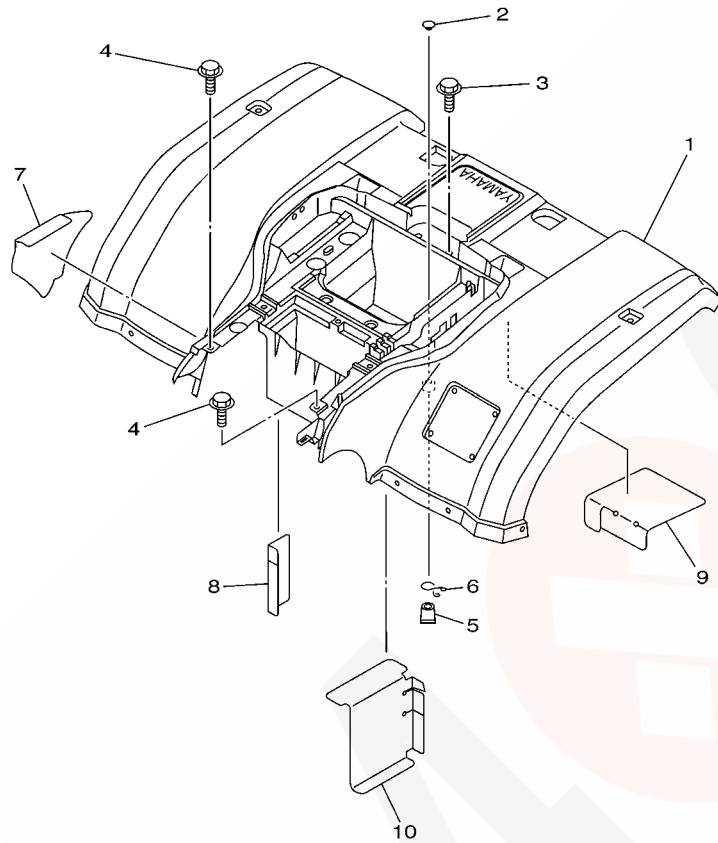


FIG. 22 FRONT FENDER

| REF. NO. | PART NO.     | DESCRIPTION               | EUR | OCE | REMARKS          |
|----------|--------------|---------------------------|-----|-----|------------------|
| 1        | 5ND-F1500-50 | FRONT FENDER ASSY         | 1   |     | FOR RTR (YMUS)   |
|          | 5ND-F1500-60 | FRONT FENDER ASSY         | 1   |     | FOR PDG (YMUS)   |
|          | 5ND-F1500-70 | FRONT FENDER ASSY         | 1   |     | FOR DPBSE (YMUS) |
|          | 5ND-F1500-80 | FRONT FENDER ASSY         |     | 1   | FOR DPBSE (YMUS) |
| 2        | 90119-06060  | BOLT, WITH WASHER         | 2   | 2   |                  |
| 3        | 90119-06060  | BOLT, WITH WASHER         | 1   | 1   |                  |
| 4        | 90119-06060  | BOLT, WITH WASHER         | 2   | 2   |                  |
| 5        | 5ND-F1575-00 | SEAL 1                    | 1   | 1   | (YMUS)           |
| 6        | 5ND-F3391-01 | PANEL, FRONT              | 1   | 1   | (YMUS)           |
| 7        | 90269-06800  | RIVET                     | 2   | 2   | (YMUS)           |
| 8        | 5ND-F8309-10 | GRILLE, FRONT             | 1   |     | (YMUS)           |
|          | 5ND-F8309-00 | GRILLE, FRONT             |     | 1   | (YMUS)           |
| 9        | 5FU-F175B-01 | TUNING FORK MARK          | 1   | 1   | (YMUS)           |
| 10       | 90110-06007  | BOLT, HEXAGON SOCKET HEAD | 2   | 2   |                  |
| 11       | 90119-06060  | BOLT, WITH WASHER         | 2   | 2   |                  |
| 12       | 90110-06202  | BOLT, HEXAGON SOCKET HEAD | 2   | 2   |                  |
| 13       | 90387-067V1  | COLLAR                    | 2   | 2   |                  |
| 14       | 5GH-28349-00 | CAP                       | 2   | 2   |                  |
| 15       | 5TE-F837L-01 | PANEL, CONSOLE 1          | 1   | 1   | (YMUS)           |
| 16       | 90269-06800  | RIVET                     | 4   | 4   | (YMUS)           |

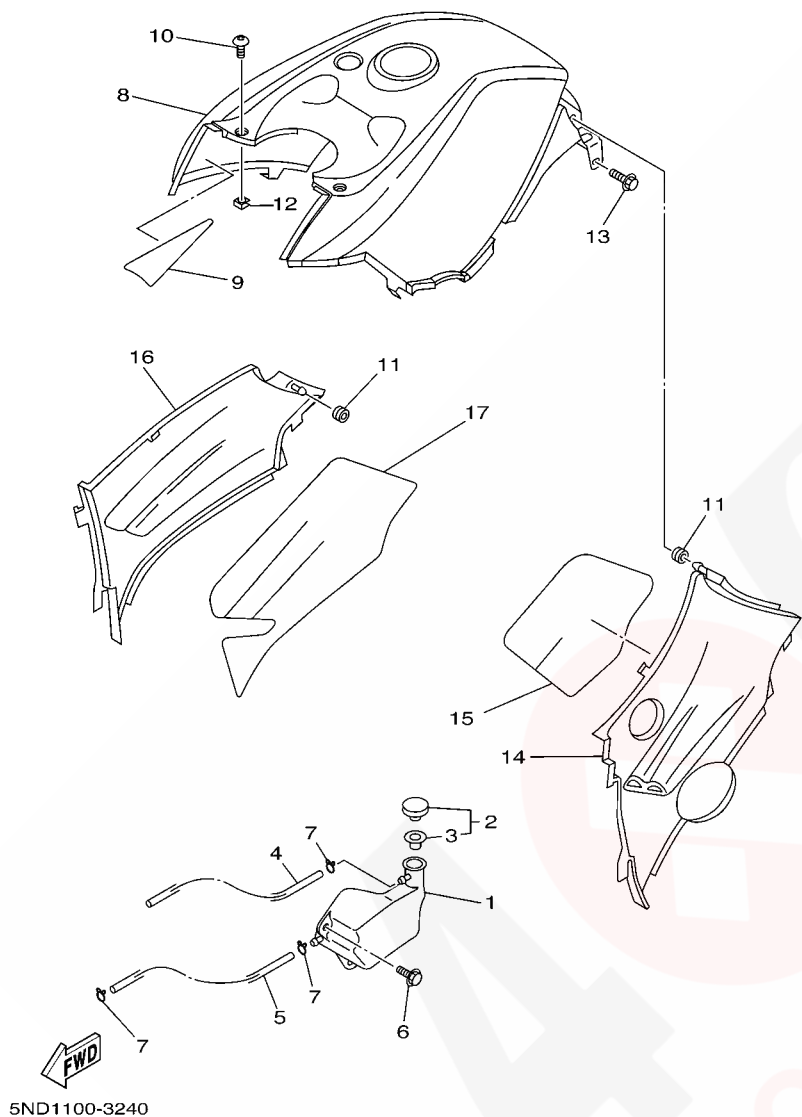
**FIG. 23 REAR FENDER**



| REF. NO. | PART NO.     | DESCRIPTION          | EUR | OCE | REMARKS          |
|----------|--------------|----------------------|-----|-----|------------------|
| 1        | 5ND-F1600-50 | REAR FENDER ASSY     | 1   |     | FOR RTR (YMUS)   |
|          | 5ND-F1600-60 | REAR FENDER ASSY     | 1   |     | FOR PDG (YMUS)   |
|          | 5ND-F1600-70 | REAR FENDER ASSY     | 1   |     | FOR DPBSE (YMUS) |
|          | 5ND-F1600-30 | REAR FENDER ASSY     |     | 1   | FOR DPBSE (YMUS) |
| 2        | 90338-09801  | PLUG                 | 1   | 1   | (YMUS)           |
| 3        | 90119-06060  | BOLT, WITH WASHER    | 3   | 3   |                  |
| 4        | 90119-06227  | BOLT, WITH WASHER    | 2   | 2   |                  |
| 5        | 5BF-1443E-00 | PIPE, DRAIN          | 1   | 1   |                  |
| 6        | 90467-16195  | CLIP                 | 1   | 1   |                  |
| 7        | 5ND-F163A-00 | COVER, REAR FENDER 1 | 1   | 1   | (YMUS)           |
| 8        | 5ND-F163E-00 | COVER, REAR FENDER 2 | 1   | 1   | (YMUS)           |
| 9        | 5ND-F1652-00 | PROTECTOR            | 1   | 1   | (YMUS)           |
| 10       | 5ND-F163F-00 | COVER, REAR FENDER 3 | 1   | 1   | (YMUS)           |

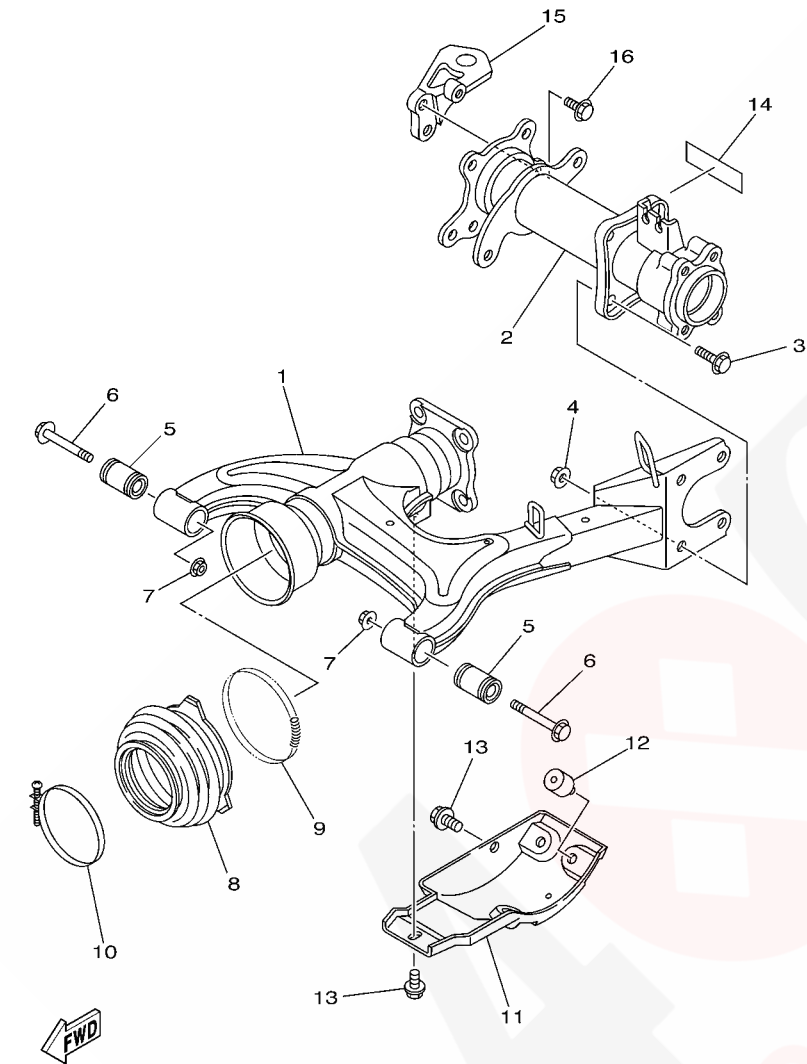
  
5ND1100-3230

FIG. 24 SIDE COVER



| REF. NO. | PART NO.     | DESCRIPTION               | EUR | OCE | REMARKS          |
|----------|--------------|---------------------------|-----|-----|------------------|
| 1        | 5ND-F1871-00 | TANK, RECOVERY            | 1   | 1   | (YMUS)           |
| 2        | 1AA-21815-00 | CAP                       | 1   | 1   |                  |
| 3        | 1AA-21874-00 | .GASKET                   | 1   | 1   |                  |
| 4        | 90445-08811  | HOSE (L1020)              | 1   | 1   | (YMUS)           |
| 5        | 90445-08812  | HOSE (L730)               | 1   | 1   | (YMUS)           |
| 6        | 90119-06060  | BOLT, WITH WASHER         | 2   | 2   |                  |
| 7        | 90467-08003  | CLIP                      | 3   | 3   |                  |
| 8        | 5ND-F171A-00 | COVER, TOP                | 1   |     | FOR RTR (YMUS)   |
|          | 5ND-F171A-10 | COVER, TOP                | 1   |     | FOR PDG (YMUS)   |
|          | 5ND-F171A-30 | COVER, TOP                | 1   | 1   | FOR DPBSE (YMUS) |
| 9        | 5ND-F174M-00 | CLOTH, PROTECTOR          | 1   | 1   | (YMUS)           |
| 10       | 90110-05201  | BOLT, HEXAGON SOCKET HEAD | 2   | 2   |                  |
| 11       | 90480-13567  | GROMMET                   | 2   | 2   |                  |
| 12       | 90183-05024  | NUT, SPRING               | 2   | 2   |                  |
| 13       | 90119-06079  | BOLT, WITH WASHER         | 2   | 2   |                  |
| 14       | 5ND-F1711-00 | COVER, SIDE 1             | 1   | 1   | (YMUS)           |
| 15       | 5ND-F174A-00 | INSULATOR, SIDE COVER     | 1   | 1   | (YMUS)           |
| 16       | 5ND-F1721-00 | COVER, SIDE 2             | 1   | 1   | (YMUS)           |
| 17       | 5ND-F174T-00 | INSULATOR, SIDE COVER 2   | 1   | 1   | (YMUS)           |

FIG. 25 REAR ARM



5TE1110-B250

| REF. NO. | PART NO.     | DESCRIPTION             | EUR | OCE | REMARKS        |
|----------|--------------|-------------------------|-----|-----|----------------|
| 1        | 5ND-F2110-10 | REAR ARM COMP.          | 1   | 1   | (YMUS)         |
| 2        | 5TE-G6540-10 | REAR AXLE HOUSING COMP. | 1   | 1   | (YMUS)         |
| 3        | 9581P-10020  | BOLT, FLANGE            | 4   | 4   | (YMUS)         |
| 4        | 95707-10500  | NUT, FLANGE             | 4   | 4   |                |
| 5        | 5ND-F2123-00 | BUSH 1                  | 2   | 2   | (YMUS)         |
| 6        | 90105-12660  | BOLT, FLANGE            | 2   | 2   |                |
| 7        | 95607-12200  | NUT, SELF-LOCKING       | 2   | 2   |                |
| 8        | 5ND-F2189-00 | BOOT, RUBBER            | 1   | 1   | (YMUS)         |
| 9        | 90506-07135  | SPRING, TENSION         | 1   | 1   |                |
| 10       | 90460-85277  | CLAMP, HOSE             | 1   | 1   |                |
| 11       | 4XE-F219X-00 | COVER                   | 1   | 1   | (YMUS)         |
| 12       | 109-27114-00 | STOPPER, MAIN STAND     | 3   | 3   |                |
| 13       | 95807-08012  | BOLT, FLANGE            | 2   | 2   |                |
| 14       | 5ND-F151K-00 | LABEL 7                 | 1   | 1   | ENGLISH (YMUS) |
| 15       | 5ND-F8488-00 | HOOK                    | 1   |     | (YMUS)         |
|          | 5ND-F8488-10 | HOOK                    |     | 1   | (YMUS)         |
| 16       | 9581P-10020  | BOLT, FLANGE            | 3   | 3   | (YMUS)         |

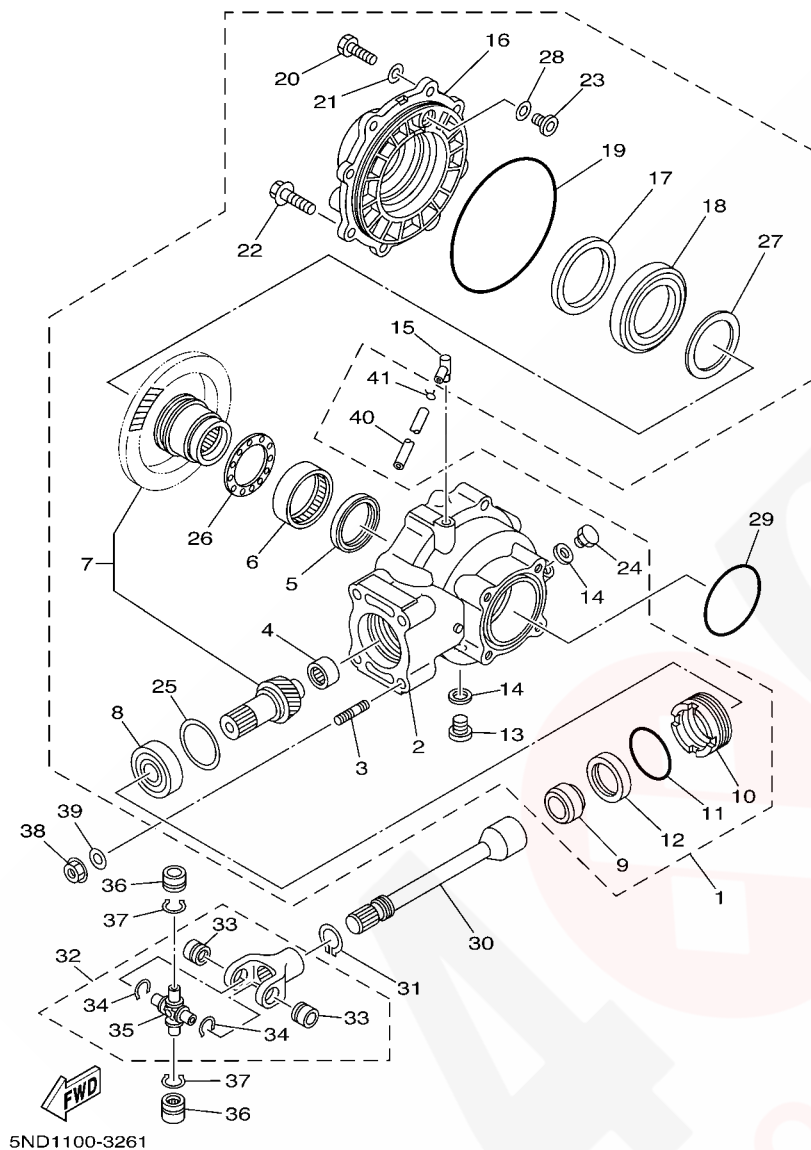


FIG. 26 DRIVE SHAFT

| REF. NO. | PART NO.     | DESCRIPTION              | EUR | OCE | REMARKS   |
|----------|--------------|--------------------------|-----|-----|-----------|
| 1        | 5ND-G6101-01 | REAR AXLE GEAR CASE ASSY | 1   | 1   | (YMUS)    |
| 2        | 5ND-G6151-01 | .HOUSING, DRIVE SHAFT    | 1   | 1   | (YMUS)    |
| 3        | 90116-10840  | .BOLT, STUD              | 4   | 4   | (YMUS)    |
| 4        | 4XE-G6102-00 | .BEARING ASSY            | 1   | 1   | (YMUS)    |
| 5        | 93101-52116  | .OIL SEAL                | 1   | 1   |           |
| 6        | 93317-855Y9  | .BEARING                 | 1   | 1   | (YMUS)    |
| 7        | 5GT-Y4612-10 | .RING GEAR SET           | 1   | 1   |           |
| 8        | 93306-305Y6  | .BEARING                 | 1   | 1   | (YMUS)    |
| 9        | 90387-255H9  | .COLLAR                  | 1   | 1   |           |
| 10       | 29U-46125-00 | .RETAINER, BEARING       | 1   | 1   |           |
| 11       | 93210-59531  | .O-RING                  | 1   | 1   |           |
| 12       | 93101-38098  | .OIL SEAL                | 1   | 1   |           |
| 13       | 90340-14046  | .PLUG, STRAIGHT SCREW    | 1   | 1   |           |
| 14       | 214-11198-01 | .GASKET                  | 2   | 2   |           |
| 15       | 2N4-15371-00 | .BREATHER                | 1   | 1   |           |
| 16       | 5ND-G6152-00 | .HOUSING, BEARING        | 1   | 1   | (YMUS)    |
| 17       | 93102-65386  | .OIL SEAL                | 1   | 1   |           |
| 18       | 93316-013Y0  | .BEARING                 | 1   | 1   | (YMUS)    |
| 19       | 93211-51749  | .O-RING                  | 1   | 1   |           |
| 20       | 9702P-08025  | .BOLT                    | 6   | 6   | (YMUS)    |
| 21       | 9290P-08600  | .WASHER                  | 6   | 6   | (YMUS)    |
| 22       | 95817-10025  | .BOLT, FLANGE            | 2   | 2   |           |
| 23       | 5FU-G6156-00 | .STOPPER, RING GEAR      | 1   | 1   | (YMUS)    |
| 24       | 90340-14029  | .PLUG, STRAIGHT SCREW    | 1   | 1   |           |
| 25       | 4XE-E7537-15 | .SHIM, THRUST(T=0.15MM)  | 1   | 1   | UR (YMUS) |
|          | 4XE-E7537-30 | .SHIM, THRUST(T=0.30MM)  | 1   | 1   | UR (YMUS) |
|          | 4XE-E7537-40 | .SHIM, THRUST(T=0.40MM)  | 1   | 1   | UR (YMUS) |

D6

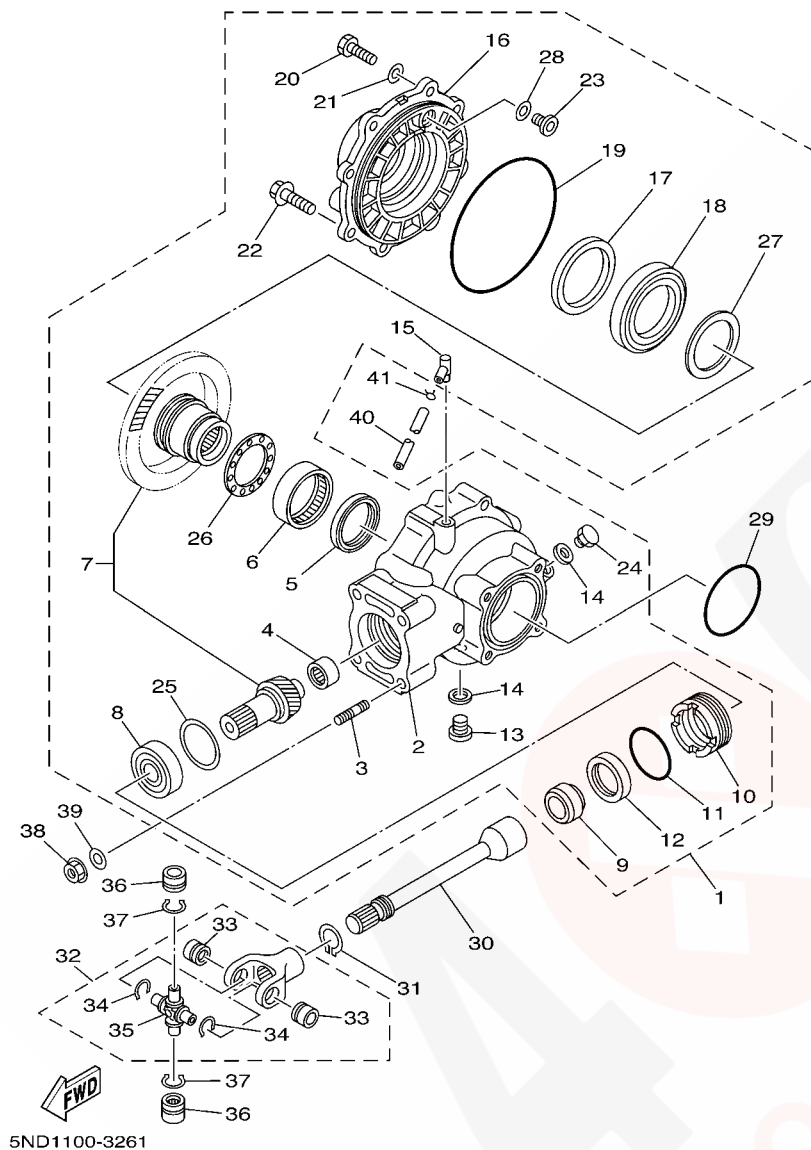


FIG. 26 DRIVE SHAFT

| REF. NO. | PART NO.     | DESCRIPTION                | EUR | OCE | REMARKS   |
|----------|--------------|----------------------------|-----|-----|-----------|
| 25       | 4XE-E7537-45 | .SHIM, THRUST(T=0.45MM)    | 1   | 1   | UR (YMUS) |
|          | 4XE-E7537-50 | .SHIM, THRUST(T=0.50MM)    | 1   | 1   | UR (YMUS) |
|          | 4XE-E7537-60 | .SHIM, THRUST(T=0.60MM)    | 1   | 1   | UR (YMUS) |
| 26       | 4XE-G6118-10 | .SHIM, THRUST(T=1.0MM)     | 1   | 1   | UR (YMUS) |
|          | 4XE-G6118-11 | .SHIM, THRUST(T=1.1MM)     | 1   | 1   | UR (YMUS) |
|          | 4XE-G6118-12 | .SHIM, THRUST(T=1.2MM)     | 1   | 1   | UR (YMUS) |
|          | 4XE-G6118-13 | .SHIM, THRUST(T=1.3MM)     | 1   | 1   | UR (YMUS) |
|          | 4XE-G6118-14 | .SHIM, THRUST(T=1.4MM)     | 1   | 1   | UR (YMUS) |
|          | 4XE-G6118-15 | .SHIM, THRUST(T=1.5MM)     | 1   | 1   | UR (YMUS) |
|          | 4XE-G6118-16 | .SHIM, THRUST(T=1.6MM)     | 1   | 1   | UR (YMUS) |
|          | 4XE-G6118-17 | .SHIM, THRUST(T=1.7MM)     | 1   | 1   | UR (YMUS) |
|          | 4XE-G6118-18 | .SHIM, THRUST(T=1.8MM)     | 1   | 1   | UR (YMUS) |
|          | 4XE-G6118-19 | .SHIM, THRUST(T=1.9MM)     | 1   | 1   | UR (YMUS) |
|          | 4XE-G6118-20 | .SHIM, THRUST(T=2.0MM)     | 1   | 1   | UR (YMUS) |
|          | 4XE-G6118-21 | .SHIM, THRUST(T=2.1MM)     | 1   | 1   | UR (YMUS) |
| 27       | 4XE-G6117-25 | .SHIM, RING GEAR(T=0.25MM) | 1   | 1   | UR (YMUS) |
|          | 4XE-G6117-30 | .SHIM, RING GEAR(T=0.30MM) | 1   | 1   | UR (YMUS) |
|          | 4XE-G6117-35 | .SHIM, RING GEAR(T=0.35MM) | 1   | 1   | UR (YMUS) |
|          | 4XE-G6117-40 | .SHIM, RING GEAR(T=0.40MM) | 1   | 1   | UR (YMUS) |
|          | 4XE-G6117-45 | .SHIM, RING GEAR(T=0.45MM) | 1   | 1   | UR (YMUS) |
|          | 4XE-G6117-50 | .SHIM, RING GEAR(T=0.50MM) | 1   | 1   | UR (YMUS) |
| 28       | 5FU-G6157-10 | .SHIM, RING GEAR(T=0.10MM) | 1   | 1   | UR (YMUS) |
|          | 5FU-G6157-15 | .SHIM, RING GEAR(T=0.15MM) | 1   | 1   | UR (YMUS) |
|          | 5FU-G6157-20 | .SHIM, RING GEAR(T=0.20MM) | 1   | 1   | UR (YMUS) |
|          | 5FU-G6157-30 | .SHIM, RING GEAR(T=0.30MM) | 1   | 1   | UR (YMUS) |
|          | 5FU-G6157-40 | .SHIM, RING GEAR(T=0.40MM) | 1   | 1   | UR (YMUS) |
|          | 5FU-G6157-50 | .SHIM, RING GEAR(T=0.50MM) | 1   | 1   | UR (YMUS) |



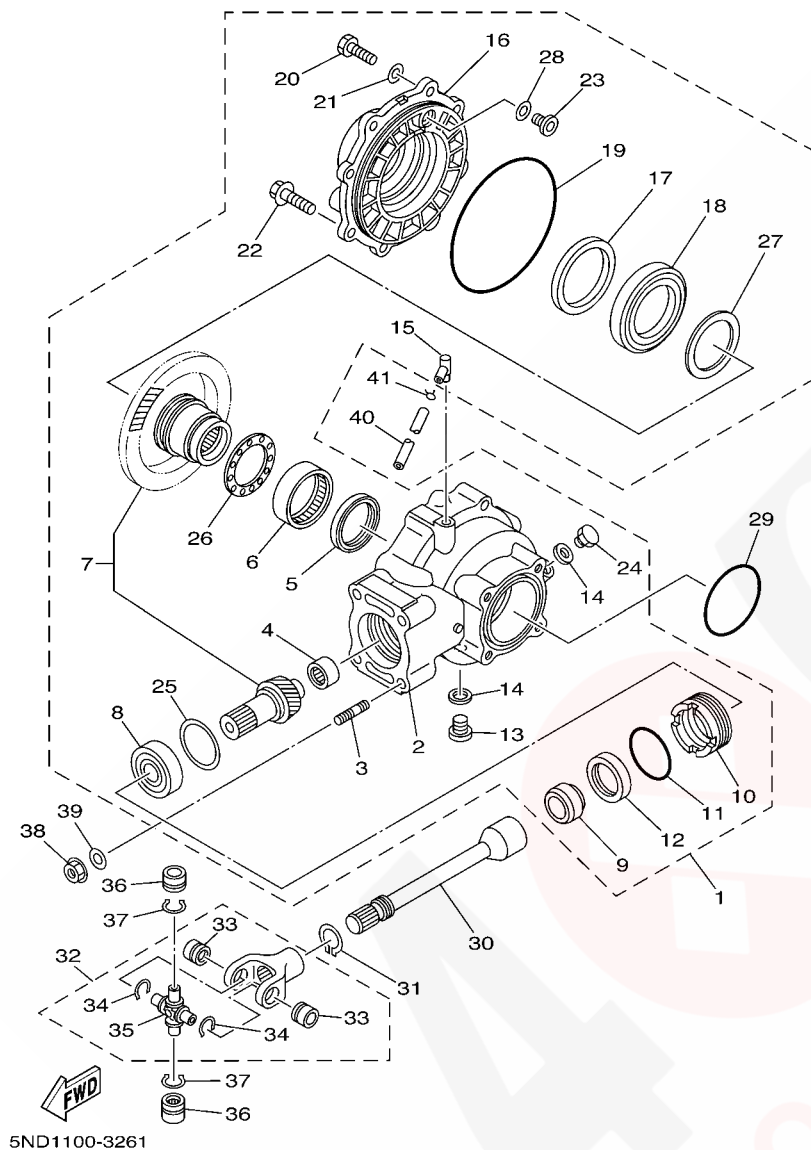


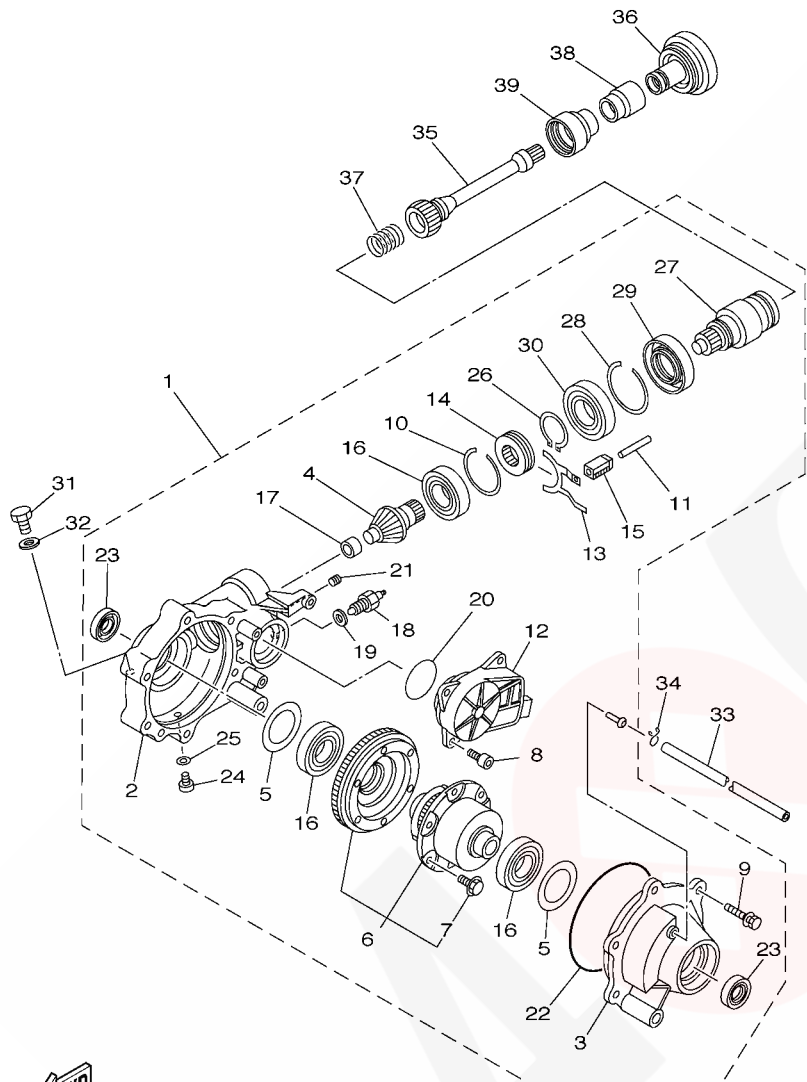
FIG. 26 DRIVE SHAFT

| REF. NO. | PART NO.     | DESCRIPTION         | EUR | OCE | REMARKS |
|----------|--------------|---------------------|-----|-----|---------|
| 29       | 93210-76800  | O-RING              | 1   | 1   |         |
| 30       | 5ND-G6172-00 | SHAFT, DRIVE        | 1   | 1   | (YMUS)  |
| 31       | 93410-22039  | CIRCLIP             | 1   | 1   |         |
| 32       | 3HN-46108-01 | CROSS JOINT COMP. 3 | 1   | 1   |         |
| 33       | 93399-99926  | .BEARING            | 2   | 2   |         |
| 34       | 93440-20088  | .CIRCLIP            | 2   | 2   |         |
| 35       | 2HR-46187-00 | .SPIDER             | 1   | 1   |         |
| 36       | 93399-99926  | BEARING             | 2   | 2   |         |
| 37       | 93440-20088  | CIRCLIP             | 2   | 2   |         |
| 38       | 95707-10500  | NUT, FLANGE         | 4   | 4   |         |
| 39       | 90201-108P8  | WASHER, PLATE       | 4   | 4   | (YMUS)  |
| 40       | 90445-07810  | HOSE (L1050)        | 1   | 1   | (YMUS)  |
| 41       | 90467-07029  | CLIP                | 1   | 1   |         |

D8



FIG. 27 FRONT DIFFERENTIAL



5TE6100-C270

| REF. NO.     | PART NO.             | DESCRIPTION                | EUR | OCF |  |  | REMARKS |
|--------------|----------------------|----------------------------|-----|-----|--|--|---------|
| 1            | 5GH-46160-04         | FRONT AXLE GEAR CASE COMP. | 1   | 1   |  |  |         |
| 2            | 5GH-46161-01         | .HOUSING, SHAFT DRIVE 2    | 1   | 1   |  |  |         |
| 3            | 5GH-46162-01         | .HOUSING, BEARING 2        | 1   | 1   |  |  |         |
| 4            | 5GH-46141-01         | .PINION, DRIVE 2           | 1   | 1   |  |  |         |
| 5            | 4WV-46119-01         | .SHIM, THRUST (0.1T)       | 1   | 1   |  |  | UR      |
| 4WV-46119-11 | .SHIM, THRUST (0.2T) |                            | 1   | 1   |  |  | UR      |
| 4WV-46119-21 | .SHIM, THRUST (0.3T) |                            | 1   | 1   |  |  | UR      |
| 4WV-46119-31 | .SHIM, THRUST (0.4T) |                            | 1   | 1   |  |  | UR      |
| 4WV-46119-41 | .SHIM, THRUST (0.5T) |                            | 1   | 1   |  |  | UR      |
| 4WV-46119-51 | .SHIM, THRUST (1.0T) |                            | 1   | 1   |  |  | UR      |
| 6            | 5GH-46470-03         | .LIMITED SLIP DIFF. ASSY   | 1   | 1   |  |  |         |
| 7            | 4WV-46155-00         | ..BOLT 1                   | 6   | 6   |  |  |         |
| 8            | 91317-08020          | .BOLT                      | 3   | 3   |  |  |         |
| 9            | 4WV-46159-00         | .BOLT 3                    | 6   | 6   |  |  |         |
| 10           | 4WV-46143-00         | .RING,HOLE SNAP 2          | 1   | 1   |  |  |         |
| 11           | 5GH-18318-00         | .SHAFT, SHIFTER            | 1   | 1   |  |  |         |
| 12           | 5GH-4616A-02         | .SERVO MOTOR COMP          | 1   | 1   |  |  |         |
| 13           | 5GH-18514-01         | .FORK, SHIFT 4             | 1   | 1   |  |  |         |
| 14           | 4WV-46441-00         | .CLUTCH,DRIVEN             | 1   | 1   |  |  |         |
| 15           | 5GH-18319-00         | .SHAFT 2                   | 1   | 1   |  |  |         |
| 16           | 4WV-46165-00         | .BEARING 2                 | 3   | 3   |  |  |         |
| 17           | 4WV-46167-00         | .BEARING 4                 | 1   | 1   |  |  |         |
| 18           | 3GD-82540-11         | .NEUTRAL SWITCH ASSY       | 1   | 1   |  |  |         |
| 19           | 4WV-46132-00         | .GASKET 1                  | 1   | 1   |  |  |         |
| 20           | 93210-50768          | .O-RING                    | 1   | 1   |  |  |         |
| 21           | 90113-08004          | .BOLT, SET                 | 1   | 1   |  |  |         |
| 22           | 93211-40040          | .O-RING                    | 1   | 1   |  |  |         |

D9



5TE6100-C270

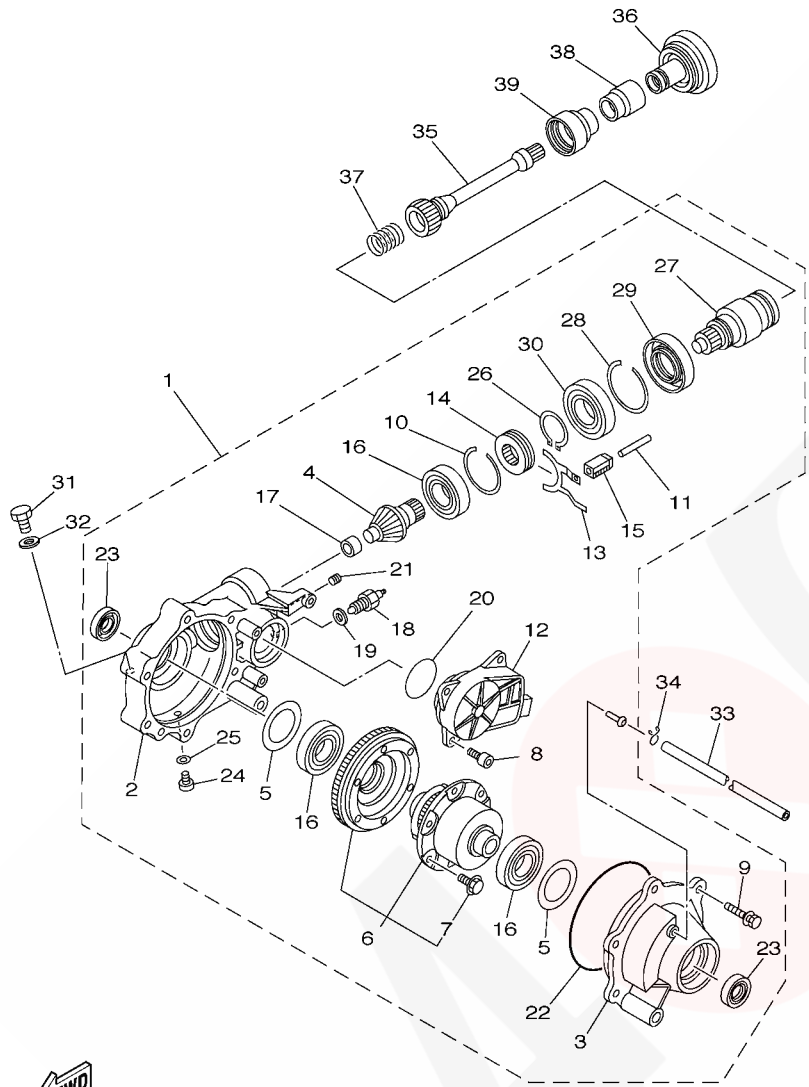
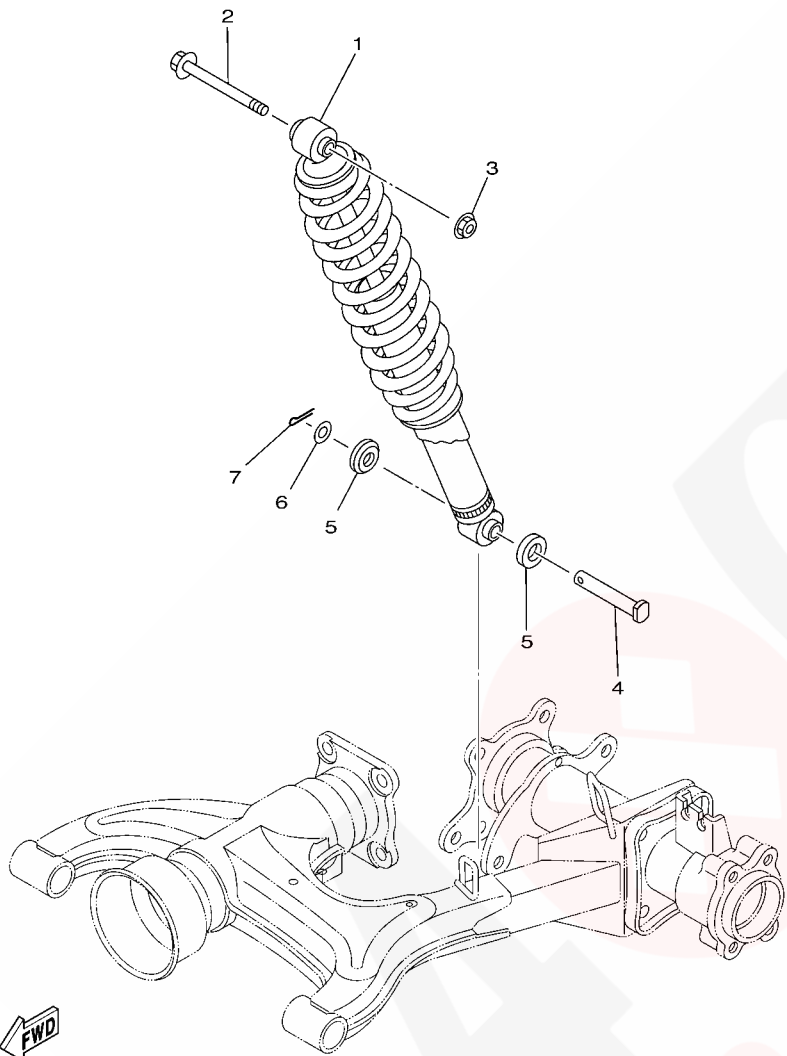


FIG. 27 FRONT DIFFERENTIAL

| REF. NO. | PART NO.     | DESCRIPTION           | EUR | OCF | REMARKS |
|----------|--------------|-----------------------|-----|-----|---------|
| 23       | 93102-24034  | .OIL SEAL             | 2   | 2   |         |
| 24       | 90340-10001  | .PLUG, STRAIGHT SCREW | 1   | 1   |         |
| 25       | 90430-10003  | .GASKET               | 1   | 1   |         |
| 26       | 93450-44141  | .CIRCLIP              | 1   | 1   |         |
| 27       | 5GH-46126-01 | .COUPLING             | 1   | 1   |         |
| 28       | 93450-71142  | .CIRCLIP              | 1   | 1   |         |
| 29       | 93102-50030  | .OIL SEAL             | 1   | 1   |         |
| 30       | 93316-00801  | .BEARING              | 1   | 1   |         |
| 31       | 90340-14029  | PLUG, STRAIGHT SCREW  | 1   | 1   |         |
| 32       | 214-11198-01 | GASKET                | 1   | 1   |         |
| 33       | 90445-07809  | HOSE (L750)           | 1   | 1   | (YMUS)  |
| 34       | 90467-07029  | CLIP                  | 1   | 1   |         |
| 35       | 5TE-G6173-00 | SHAFT, DRIVE 2        | 1   | 1   | (YMUS)  |
| 36       | 5GH-46123-00 | COUPLING, GEAR        | 1   | 1   |         |
| 37       | 90501-296L7  | SPRING, COMPRESSION   | 1   | 1   |         |
| 38       | 5GH-46136-00 | SEAL 1                | 1   | 1   |         |
| 39       | 5KM-46137-00 | SEAL 2                | 1   | 1   |         |

**D10**

**FIG. 28 REAR SUSPENSION**

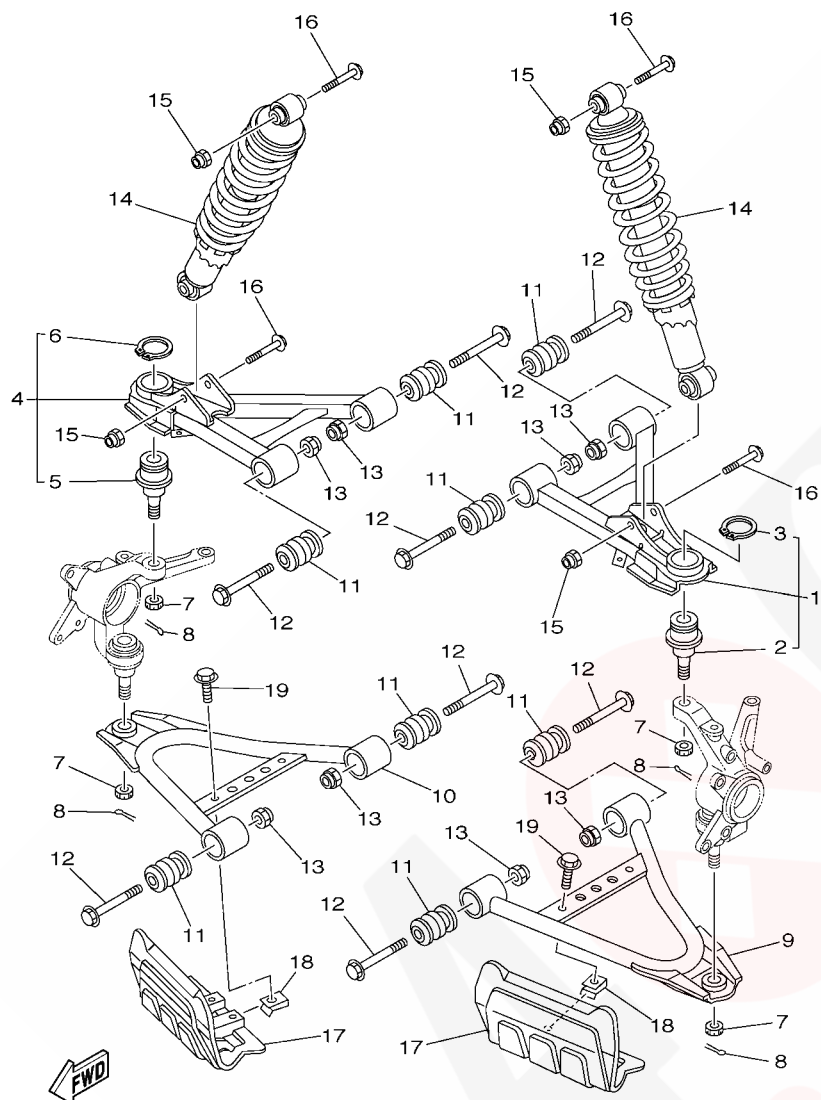


| REF. NO. | PART NO.     | DESCRIPTION               | EUR | OCÉ |  |  |  | REMARKS |
|----------|--------------|---------------------------|-----|-----|--|--|--|---------|
| 1        | 5ND-F2210-00 | SHOCK ABSORBER ASSY, REAR | 1   | 1   |  |  |  | (YMUS)  |
| 2        | 90105-12889  | BOLT, FLANGE              | 1   | 1   |  |  |  | (YMUS)  |
| 3        | 90185-12072  | NUT, SELF-LOCKING         | 1   | 1   |  |  |  |         |
| 4        | 90240-12092  | PIN, CLEVIS               | 1   | 1   |  |  |  |         |
| 5        | 1W1-22128-00 | COVER, THRUST 1           | 2   | 2   |  |  |  |         |
| 6        | 90201-127J6  | WASHER, PLATE             | 1   | 1   |  |  |  |         |
| 7        | 91401-30025  | PIN, COTTER               | 1   | 1   |  |  |  |         |

  
5TE1100-B280

**D11**

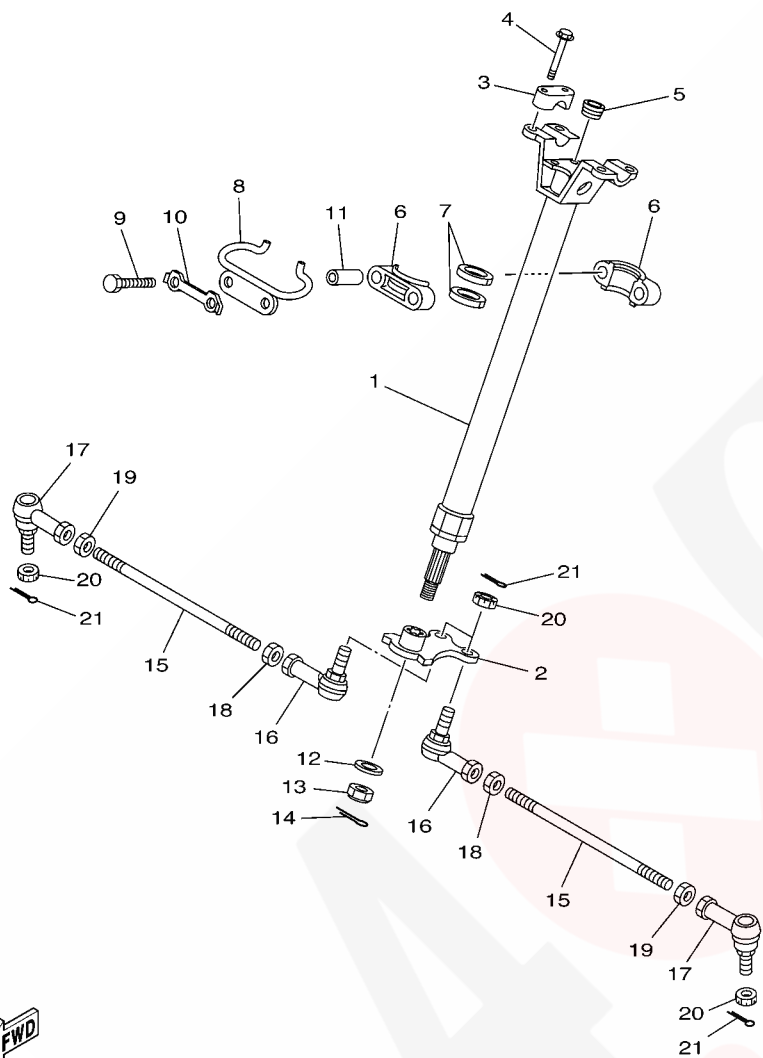
FIG. 29 FRONT SUSPENSION & WHEEL



5TE6100-C290

| REF. NO. | PART NO.     | DESCRIPTION                   | EUR | OCE | REMARKS |
|----------|--------------|-------------------------------|-----|-----|---------|
| 1        | 5ND-F3540-10 | FRONT UPPER ARM COMP. (LEFT)  | 1   | 1   | (YMUS)  |
| 2        | 5FU-F3549-00 | .BALL JOINT 1                 | 1   | 1   | (YMUS)  |
| 3        | 93410-32826  | .CIRCLIP                      | 1   | 1   |         |
| 4        | 5ND-F3550-10 | FRONT UPPER ARM COMP. (RIGHT) | 1   | 1   | (YMUS)  |
| 5        | 5FU-F3549-00 | .BALL JOINT 1                 | 1   | 1   | (YMUS)  |
| 6        | 93410-32826  | .CIRCLIP                      | 1   | 1   |         |
| 7        | 90171-12816  | NUT, CASTLE                   | 4   | 4   | (YMUS)  |
| 8        | 91401-25020  | PIN, COTTER                   | 4   | 4   |         |
| 9        | 5ND-F357A-00 | ARM,FR. LWR. LH.              | 1   | 1   | (YMUS)  |
| 10       | 5ND-F358A-00 | ARM,FR. LWR. RH.              | 1   | 1   | (YMUS)  |
| 11       | 2HR-23526-00 | BUSH                          | 8   | 8   |         |
| 12       | 90105-10890  | BOLT, FLANGE                  | 8   | 8   | (YMUS)  |
| 13       | 90185-10844  | NUT, SELF-LOCKING             | 8   | 8   | (YMUS)  |
| 14       | 5ND-F3350-00 | SHOCK ABSORBER ASSY           | 2   | 2   | (YMUS)  |
| 15       | 90185-10844  | NUT, SELF-LOCKING             | 4   | 4   | (YMUS)  |
| 16       | 90105-108B1  | BOLT, FLANGE                  | 4   | 4   | (YMUS)  |
| 17       | 5ND-F3123-00 | COVER, LOWER 1                | 2   | 2   | (YMUS)  |
| 18       | 90183-06053  | NUT, SPRING                   | 2   | 2   |         |
| 19       | 95807-06012  | BOLT, FLANGE                  | 2   | 2   |         |

FIG. 30 STEERING

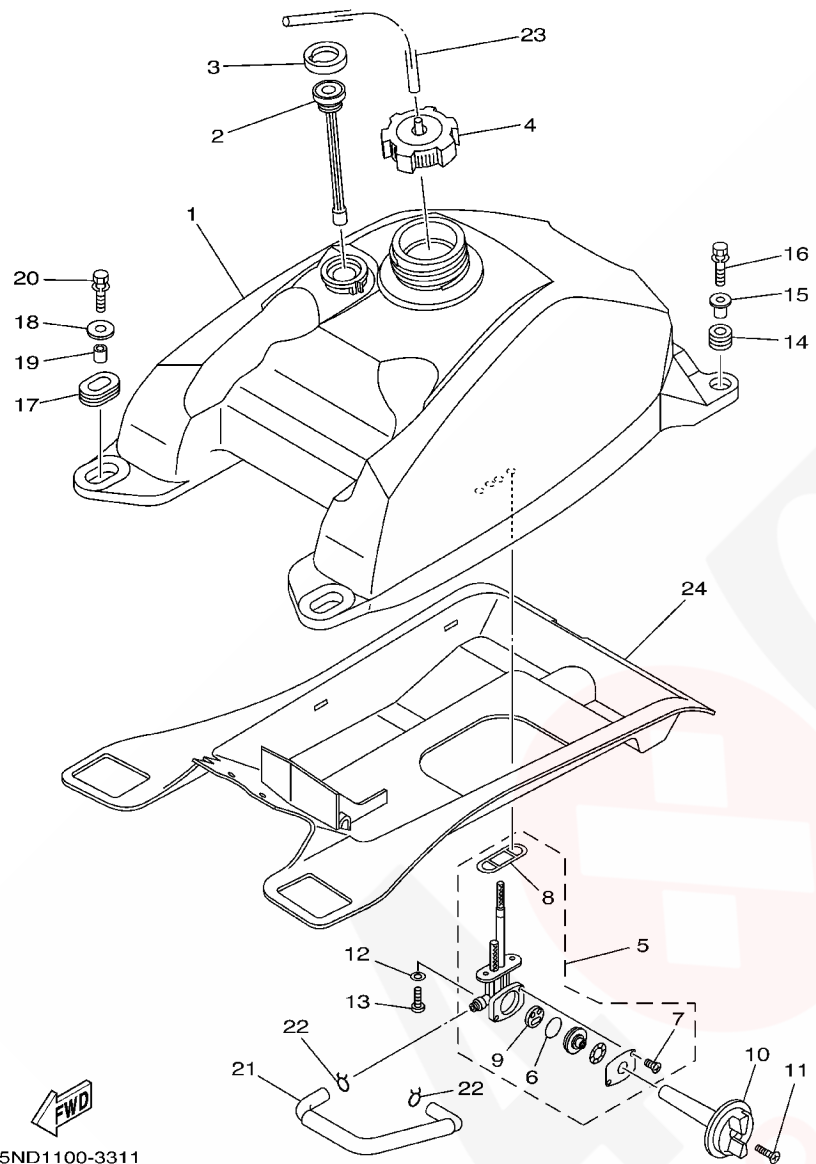


| REF. NO. | PART NO.     | DESCRIPTION             | EUR | QTY | REMARKS |
|----------|--------------|-------------------------|-----|-----|---------|
| 1        | 5ND-F3813-10 | COLUMN, STEERING 2      | 1   | 1   | (YMUS)  |
| 2        | 5ND-F3816-10 | ARM, PITMAN             | 1   | 1   | (YMUS)  |
| 3        | 8K1-23814-00 | HOLDER, HANDLE          | 2   | 2   |         |
| 4        | 9581P-08030  | BOLT, FLANGE            | 4   | 4   | (YMUS)  |
| 5        | 90336-28053  | PLUG, TAPER             | 1   | 1   |         |
| 6        | 1UY-23812-00 | PLANE BEARING, STEERING | 2   | 2   |         |
| 7        | 93112-31011  | OIL SEAL                | 2   | 2   |         |
| 8        | 5ND-F3868-00 | BRACKET, STEERING LOWER | 1   | 1   | (YMUS)  |
| 9        | 9702P-08060  | BOLT                    | 2   | 2   | (YMUS)  |
| 10       | 4XE-F3894-00 | WASHER, LOCK 1          | 1   | 1   | (YMUS)  |
| 11       | 90387-090R0  | COLLAR                  | 2   | 2   |         |
| 12       | 90201-14226  | WASHER, PLATE           | 1   | 1   |         |
| 13       | 90185-14070  | NUT, SELF-LOCKING       | 1   | 1   |         |
| 14       | 91401-25025  | PIN, COTTER             | 1   | 1   |         |
| 15       | 5ND-F3831-00 | ROD, TIE                | 2   | 2   | (YMUS)  |
| 16       | 5FU-F3841-00 | JOINT, UNIVERSAL 1      | 2   | 2   | (YMUS)  |
| 17       | 5FU-F3845-00 | JOINT, UNIVERSAL 2      | 2   | 2   | (YMUS)  |
| 18       | 4XE-F3833-00 | NUT 1                   | 2   | 2   | (YMUS)  |
| 19       | 4XE-F3834-00 | NUT 2                   | 2   | 2   | (YMUS)  |
| 20       | 90171-12816  | NUT, CASTLE             | 4   | 4   | (YMUS)  |
| 21       | 91401-25020  | PIN, COTTER             | 4   | 4   |         |



5ND1100-3301

D13

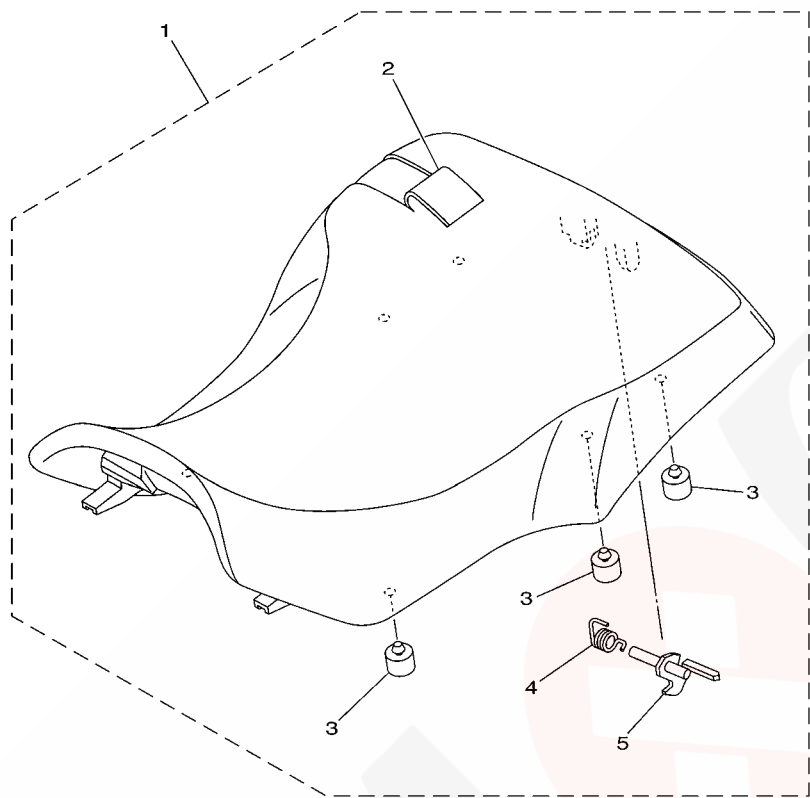


5ND1100-3311

FIG. 31 FUEL TANK

| REF. NO. | PART NO.     | DESCRIPTION         | EUR | QCE | REMARKS |
|----------|--------------|---------------------|-----|-----|---------|
| 1        | 5ND-F4110-00 | FUEL TANK COMP.     | 1   | 1   | (YMUS)  |
| 2        | 5GH-24260-00 | FUEL METER ASSY     | 1   | 1   |         |
| 3        | 4SH-24261-00 | HOUSING, FUEL METER | 1   | 1   |         |
| 4        | 5KM-24610-00 | CAP ASSY            | 1   | 1   |         |
| 5        | 5GH-24500-00 | FUEL COCK ASSY 1    | 1   | 1   |         |
| 6        | 3AJ-24534-00 | .SEAL, COCK         | 1   | 1   |         |
| 7        | 98507-03014  | .SCREW, PAN HEAD    | 2   | 2   |         |
| 8        | 4X8-24512-00 | .O-RING             | 1   | 1   |         |
| 9        | 3AJ-24523-00 | .VALVE PACKING      | 1   | 1   |         |
| 10       | 5GH-24524-00 | LEVER, COCK         | 1   | 1   |         |
| 11       | 98707-04018  | SCREW, FLAT HEAD    | 1   | 1   |         |
| 12       | 90202-05193  | WASHER, PLATE       | 2   | 2   |         |
| 13       | 90149-06011  | SCREW               | 2   | 2   |         |
| 14       | 90480-18290  | GROMMET             | 2   | 2   |         |
| 15       | 90387-066J1  | COLLAR              | 2   | 2   |         |
| 16       | 90119-06831  | BOLT, WITH WASHER   | 2   | 2   | (YMUS)  |
| 17       | 90480-01400  | GROMMET             | 2   | 2   |         |
| 18       | 90201-060L5  | WASHER, PLATE       | 2   | 2   |         |
| 19       | 90387-07598  | COLLAR              | 2   | 2   |         |
| 20       | 90119-06831  | BOLT, WITH WASHER   | 2   | 2   | (YMUS)  |
| 21       | 5ND-F4311-00 | PIPE, FUEL 1        | 1   | 1   | (YMUS)  |
| 22       | 90467-10008  | CLIP                | 2   | 2   |         |
| 23       | 90445-088C5  | HOSE (L400)         | 1   | 1   | (YMUS)  |
| 24       | 5ND-F414H-10 | DAMPER, PLATE 1     | 1   | 1   | (YMUS)  |

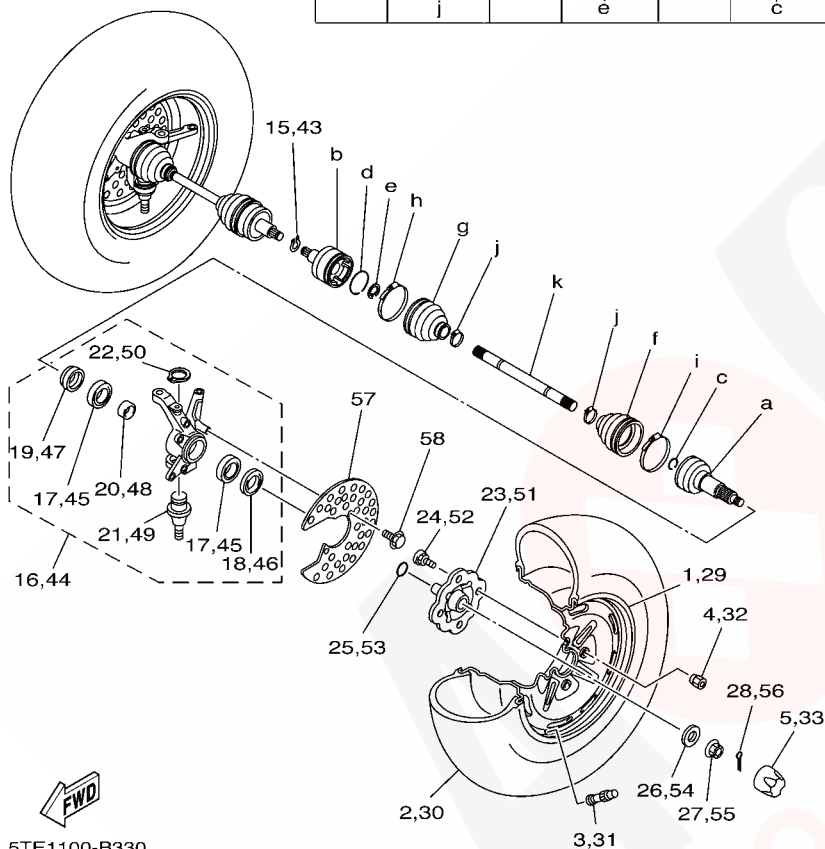
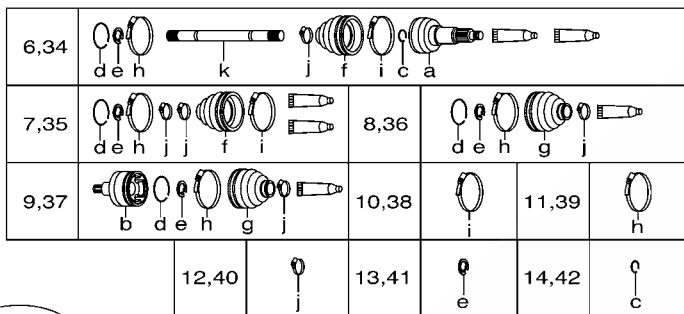
FIG. 32 SEAT



| REF. NO. | PART NO.     | DESCRIPTION       | EUR | OCE |  |  | REMARKS |
|----------|--------------|-------------------|-----|-----|--|--|---------|
| 1        | 5ND-F4710-21 | SINGLE SEAT ASSY  | 1   |     |  |  | (YMUS)  |
|          | 5ND-F4710-01 | SINGLE SEAT ASSY  |     | 1   |  |  | (YMUS)  |
| 2        | 5ND-F470F-21 | .SEAT COVER COMP. | 1   |     |  |  | (YMUS)  |
|          | 5ND-F470F-01 | .SEAT COVER COMP. |     | 1   |  |  | (YMUS)  |
| 3        | 4XE-F4747-00 | .DAMPER, SEAT     | 6   | 6   |  |  | (YMUS)  |
| 4        | 4XE-F478V-00 | .SPRING, TORSION  | 1   | 1   |  |  | (YMUS)  |
| 5        | 5ND-F4776-00 | .LEVER, SEAT      | 1   | 1   |  |  | (YMUS)  |



5ND1100-3320

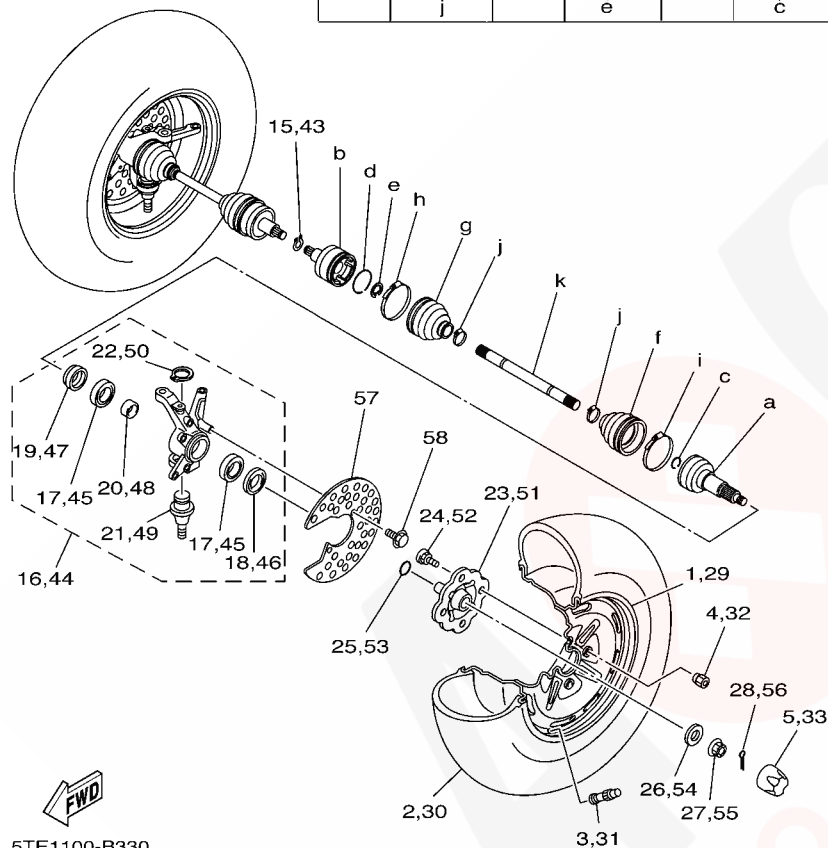
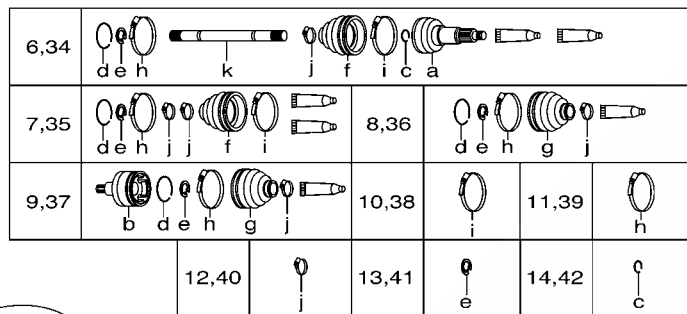


5TE1100-B330

FIG. 33 FRONT WHEEL

| REF. NO. | PART NO.     | DESCRIPTION                     | EUR | OCE | REMARKS    |
|----------|--------------|---------------------------------|-----|-----|------------|
| 1        | 5ND-F5180-11 | WHEEL COMP.                     | 1   | 1   | (YMUS)     |
| 2        | 94108-12802  | TIRE (AT25X8-12 M911Y)          | 1   |     | CHENG SHIN |
|          | 94108-12803  | TIRE (AT25X8-12 C828)           |     | 1   | CHENG SHIN |
| 3        | 93900-00813  | VALVE, RIM (TR413)              | 1   | 1   | CHENG SHIN |
| 4        | 90179-10540  | NUT                             | 4   | 4   |            |
| 5        | 5GT-2512A-00 | CAP, WHEEL                      | 1   | 1   |            |
| 6        | 5TE-F510F-00 | BALL JOINT SET                  | 1   | 1   | (YMUS)     |
| 7        | 5GH-2510G-00 | BOOT SET (BALL JOINT)           | 1   | 1   |            |
| 8        | 3HN-2510H-00 | BOOT SET (DOUBLE OFFSET JOINT)  | 1   | 1   |            |
| 9        | 5GH-2510J-00 | DOUBLE OFF SET JOINT            | 1   | 1   |            |
| 10       | 3HN-2511G-01 | BOOT BAND (BALL JOINT)          | 1   | 1   |            |
| 11       | 3HN-2511H-00 | BOOT BAND (DOUBLE OFFSET JOINT) | 1   | 1   |            |
| 12       | 3HN-2512G-01 | BOOT BAND (SMALL)               | 2   | 2   |            |
| 13       | 2HR-2512J-00 | SNAP RING                       | 1   | 1   |            |
| 14       | 4KB-2512H-00 | CIRCLIP                         | 1   | 1   |            |
| 15       | 93450-22119  | CIRCLIP                         | 1   | 1   |            |
| 16       | 5ND-F3501-10 | STEERING KNUCKLE ASSY (LEFT)    | 1   | 1   | (YMUS)     |
| 17       | 93306-006Y2  | .BEARING                        | 2   | 2   | (YMUS)     |
| 18       | 93106-38046  | .OIL SEAL                       | 1   | 1   |            |
| 19       | 93106-38047  | .OIL SEAL                       | 1   | 1   |            |
| 20       | 90560-30325  | .SPACER                         | 1   | 1   |            |
| 21       | 5FU-F3549-00 | .BALL JOINT 1                   | 1   | 1   | (YMUS)     |
| 22       | 93410-32826  | .CIRCLIP                        | 1   | 1   |            |
| 23       | 5ND-F5111-11 | HUB, FRONT                      | 1   | 1   | UR (YMUS)  |
|          | 5ND-F5111-20 | HUB, FRONT                      | 1   | 1   | UR (YMUS)  |
| 24       | 90114-10804  | BOLT, SERRATION                 | 4   | 4   | (YMUS)     |
| 25       | 93210-27666  | O-RING                          | 1   | 1   |            |





5TE1100-B330



FIG. 33 FRONT WHEEL

| REF. NO. | PART NO.     | DESCRIPTION                     | EUR | OCE | REMARKS    |
|----------|--------------|---------------------------------|-----|-----|------------|
| 26       | 90201-168R1  | WASHER, PLATE                   | 1   | 1   | (YMUS)     |
| 27       | 90171-16001  | NUT, CASTLE                     | 1   | 1   |            |
| 28       | 91401-30030  | PIN, COTTER                     | 1   | 1   |            |
| 29       | 5ND-F5180-11 | WHEEL COMP.                     | 1   | 1   | (YMUS)     |
| 30       | 94108-12802  | TIRE (AT25X8-12 M911Y)          | 1   |     | CHENG SHIN |
|          | 94108-12803  | TIRE (AT25X8-12 C828)           |     | 1   | CHENG SHIN |
| 31       | 93900-00813  | VALVE, RIM (TR413)              | 1   | 1   | CHENG SHIN |
| 32       | 90179-10540  | NUT                             | 4   | 4   |            |
| 33       | 5GT-2512A-00 | CAP, WHEEL                      | 1   | 1   |            |
| 34       | 5TE-F510F-00 | BALL JOINT SET                  | 1   | 1   | (YMUS)     |
| 35       | 5GH-2510G-00 | BOOT SET (BALL JOINT)           | 1   | 1   |            |
| 36       | 3HN-2510H-00 | BOOT SET (DOUBLE OFFSET JOINT)  | 1   | 1   |            |
| 37       | 5GH-2510J-00 | DOUBLE OFF SET JOINT            | 1   | 1   |            |
| 38       | 3HN-2511G-01 | BOOT BAND (BALL JOINT)          | 1   | 1   |            |
| 39       | 3HN-2511H-00 | BOOT BAND (DOUBLE OFFSET JOINT) | 1   | 1   |            |
| 40       | 3HN-2512G-01 | BOOT BAND (SMALL)               | 2   | 2   |            |
| 41       | 2HR-2512J-00 | SNAP RING                       | 1   | 1   |            |
| 42       | 4KB-2512H-00 | CIRCLIP                         | 1   | 1   |            |
| 43       | 93450-22119  | CIRCLIP                         | 1   | 1   |            |
| 44       | 5ND-F3502-10 | STEERING KNUCKLE ASSY (RIGHT)   | 1   | 1   | (YMUS)     |
| 45       | 93306-006Y2  | .BEARING                        | 2   | 2   | (YMUS)     |
| 46       | 93106-38046  | .OIL SEAL                       | 1   | 1   |            |
| 47       | 93106-38047  | .OIL SEAL                       | 1   | 1   |            |
| 48       | 90560-30325  | .SPACER                         | 1   | 1   |            |
| 49       | 5FU-F3549-00 | .BALL JOINT 1                   | 1   | 1   | (YMUS)     |
| 50       | 93410-32826  | .CIRCLIP                        | 1   | 1   |            |
| 51       | 5ND-F5111-11 | HUB, FRONT                      | 1   | 1   | UR (YMUS)  |

|      |  |
|------|--|
| 6,34 |  |
| 7,35 |  |
| 9,37 |  |
|      |  |

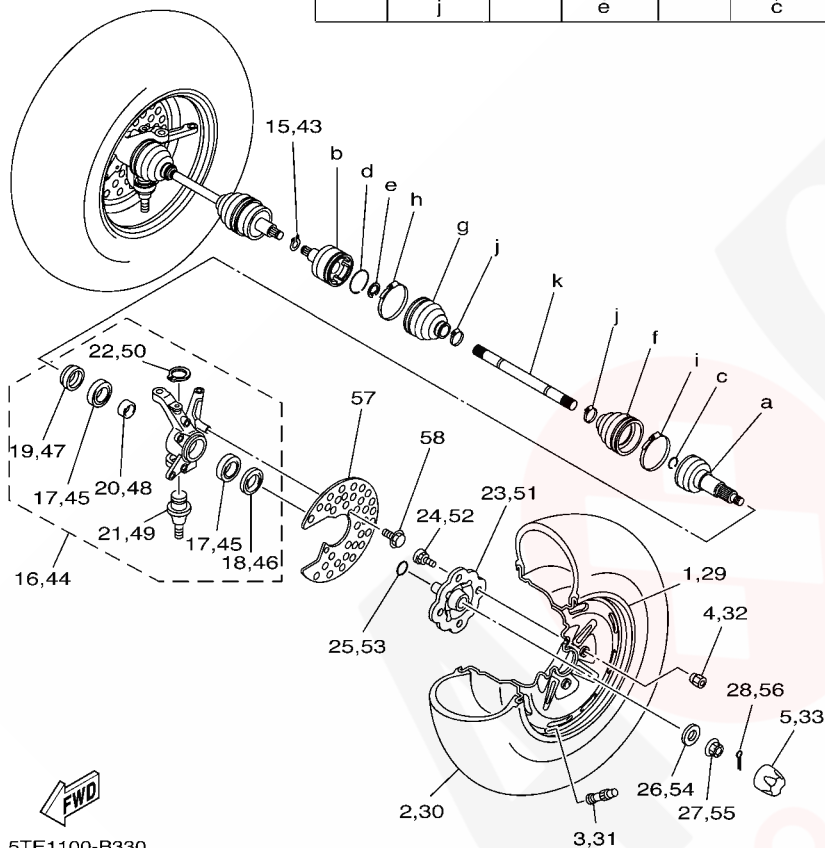
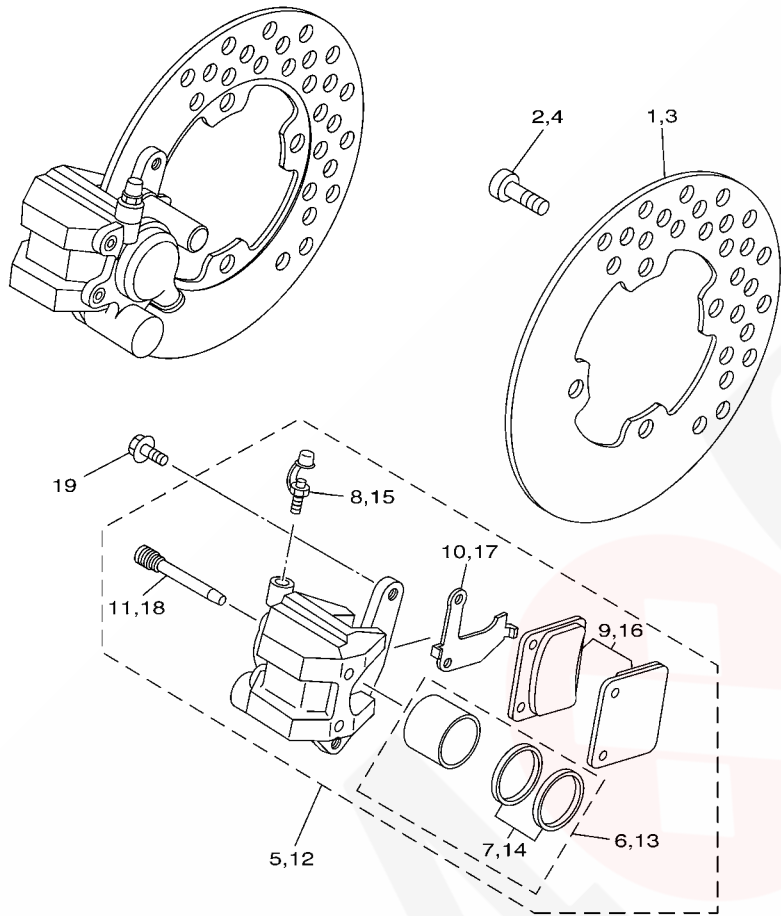


FIG. 33 FRONT WHEEL

| REF. NO. | PART NO.     | DESCRIPTION          | EUR | QCE | REMARKS   |
|----------|--------------|----------------------|-----|-----|-----------|
| 51       | 5ND-F5111-20 | HUB, FRONT           | 1   | 1   | UR (YMUS) |
| 52       | 90114-10804  | BOLT, SERRATION      | 4   | 4   | (YMUS)    |
| 53       | 93210-27666  | O-RING               | 1   | 1   |           |
| 54       | 90201-168R1  | WASHER, PLATE        | 1   | 1   |           |
| 55       | 90171-16001  | NUT, CASTLE          | 1   | 1   |           |
| 56       | 91401-30030  | PIN, COTTER          | 1   | 1   |           |
| 57       | 5ND-F514A-00 | RING, WHEEL 1 (LEFT) | 2   | 2   | (YMUS)    |
| 58       | 9582P-06012  | BOLT, FLANGE         | 4   | 4   | (YMUS)    |

5TE1100-B330

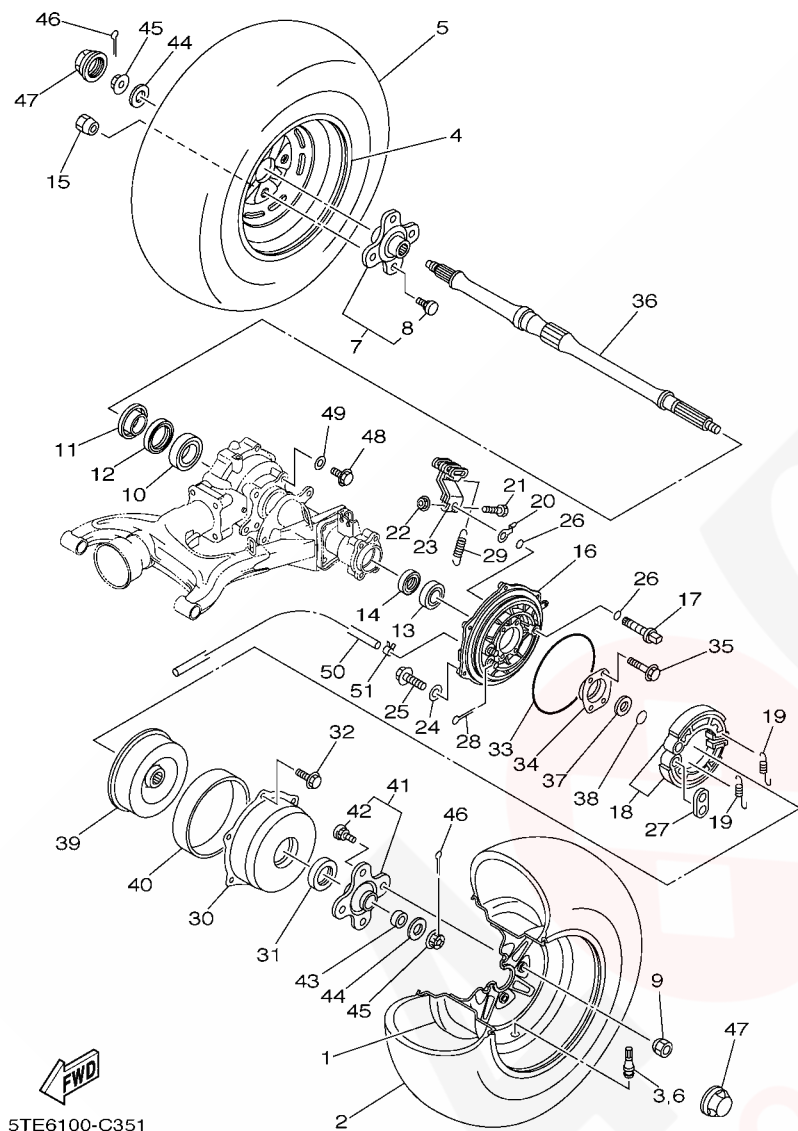


5ND1100-3340

FIG. 34 FRONT BRAKE CALIPER

| REF. NO. | PART NO.     | DESCRIPTION           | EUR | OCE |  |  | REMARKS |
|----------|--------------|-----------------------|-----|-----|--|--|---------|
| 1        | 5ND-F582T-00 | DISC, BRAKE (LEFT)    | 1   | 1   |  |  | (YMUS)  |
| 2        | 90149-08268  | SCREW                 | 4   | 4   |  |  |         |
| 3        | 5ND-F582T-00 | DISC, BRAKE (LEFT)    | 1   | 1   |  |  | (YMUS)  |
| 4        | 90149-08268  | SCREW                 | 4   | 4   |  |  |         |
| 5        | 3GD-2580T-00 | CALIPER ASSY (LEFT)   | 1   | 1   |  |  |         |
| 6        | 3GD-W0057-00 | .PISTON ASSY, CALIPER | 1   | 1   |  |  |         |
| 7        | 3GD-W0047-00 | ..CALIPER SEAL KIT    | 1   | 1   |  |  |         |
| 8        | 1UY-W0048-50 | .BLEED SCREW KIT      | 1   | 1   |  |  |         |
| 9        | 3GD-W0045-00 | .BRAKE PAD KIT        | 1   | 1   |  |  |         |
| 10       | 3GD-25827-00 | .SHIM, CALIPER        | 1   | 1   |  |  |         |
| 11       | 3GD-25933-00 | .PIN, PAD             | 2   | 2   |  |  |         |
| 12       | 3GD-2580U-00 | CALIPER ASSY (RIGHT)  | 1   | 1   |  |  |         |
| 13       | 3GD-W0057-00 | .PISTON ASSY, CALIPER | 1   | 1   |  |  |         |
| 14       | 3GD-W0047-00 | ..CALIPER SEAL KIT    | 1   | 1   |  |  |         |
| 15       | 1UY-W0048-50 | .BLEED SCREW KIT      | 1   | 1   |  |  |         |
| 16       | 3GD-W0045-00 | .BRAKE PAD KIT        | 1   | 1   |  |  |         |
| 17       | 3GD-25828-00 | .SHIM, CALIPER        | 1   | 1   |  |  |         |
| 18       | 3GD-25933-00 | .PIN, PAD             | 2   | 2   |  |  |         |
| 19       | 90105-088B2  | BOLT, FLANGE          | 4   | 4   |  |  | (YMUS)  |

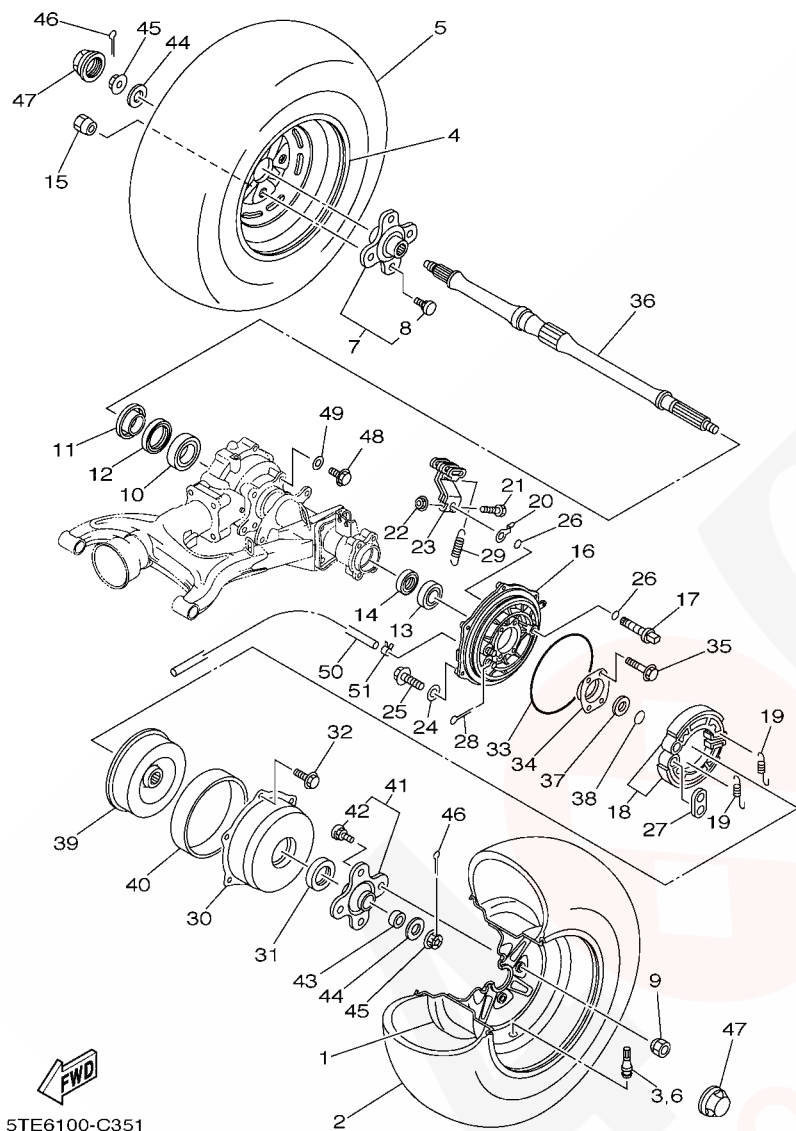
FIG. 35 REAR WHEEL



STE6100-C351

| REF. NO. | PART NO.     | DESCRIPTION             | EUR | OCE | REMARKS    |
|----------|--------------|-------------------------|-----|-----|------------|
| 1        | 5ND-F5390-11 | REAR WHEEL COMP.        | 1   | 1   | (YMUS)     |
| 2        | 94110-12800  | TIRE (AT25X10-12 M912Y) | 1   |     | CHENG SHIN |
|          | 94110-12801  | TIRE (AT25X10-12 C828)  |     | 1   | CHENG SHIN |
| 3        | 93900-00813  | VALVE, RIM (TR413)      | 1   | 1   | CHENG SHIN |
| 4        | 5ND-F5390-11 | REAR WHEEL COMP.        | 1   | 1   | (YMUS)     |
| 5        | 94110-12800  | TIRE (AT25X10-12 M912Y) | 1   |     | CHENG SHIN |
|          | 94110-12801  | TIRE (AT25X10-12 C828)  |     | 1   | CHENG SHIN |
| 6        | 93900-00813  | VALVE, RIM (TR413)      | 1   | 1   | CHENG SHIN |
| 7        | 5ND-F5383-00 | COLLAR, WHEEL           | 1   | 1   | UR (YMUS)  |
|          | 5ND-F5383-10 | COLLAR, WHEEL           | 1   | 1   | UR (YMUS)  |
| 8        | 90114-10804  | BOLT, SERRATION         | 4   | 4   | (YMUS)     |
| 9        | 90179-10540  | NUT                     | 4   | 4   |            |
| 10       | 93306-008Y0  | BEARING                 | 1   | 1   | (YMUS)     |
| 11       | 4SH-25367-01 | COVER, HUB DUST         | 1   | 1   |            |
| 12       | 93106-47040  | OIL SEAL                | 1   | 1   |            |
| 13       | 93306-278Y0  | BEARING                 | 1   | 1   | (YMUS)     |
| 14       | 93101-35097  | OIL SEAL                | 1   | 1   |            |
| 15       | 90179-10540  | NUT                     | 4   | 4   |            |
| 16       | 5VH-F5321-00 | PLATE, BRAKE SHOE       | 1   | 1   | (YMUS)     |
| 17       | 5VH-F5351-00 | CAMSHAFT                | 1   | 1   | (YMUS)     |
| 18       | 5VH-WF536-00 | BRAKE SHOE SET          | 1   | 1   | (YMUS)     |
| 19       | 5VH-F5333-00 | SPRING, RETURN          | 2   | 2   | (YMUS)     |
| 20       | 5VH-F533A-00 | PLATE, INDICATOR        | 1   | 1   | (YMUS)     |
| 21       | 5VH-F5833-00 | BOLT, FITTING           | 1   | 1   | (YMUS)     |
| 22       | 9560L-06200  | NUT, SELF-LOCKING       | 1   | 1   | (YMUS)     |
| 23       | 5VH-F5355-00 | LEVER, CAMSHAFT         | 1   | 1   | (YMUS)     |
| 24       | 5VH-F5898-00 | GASKET                  | 1   | 1   | (YMUS)     |

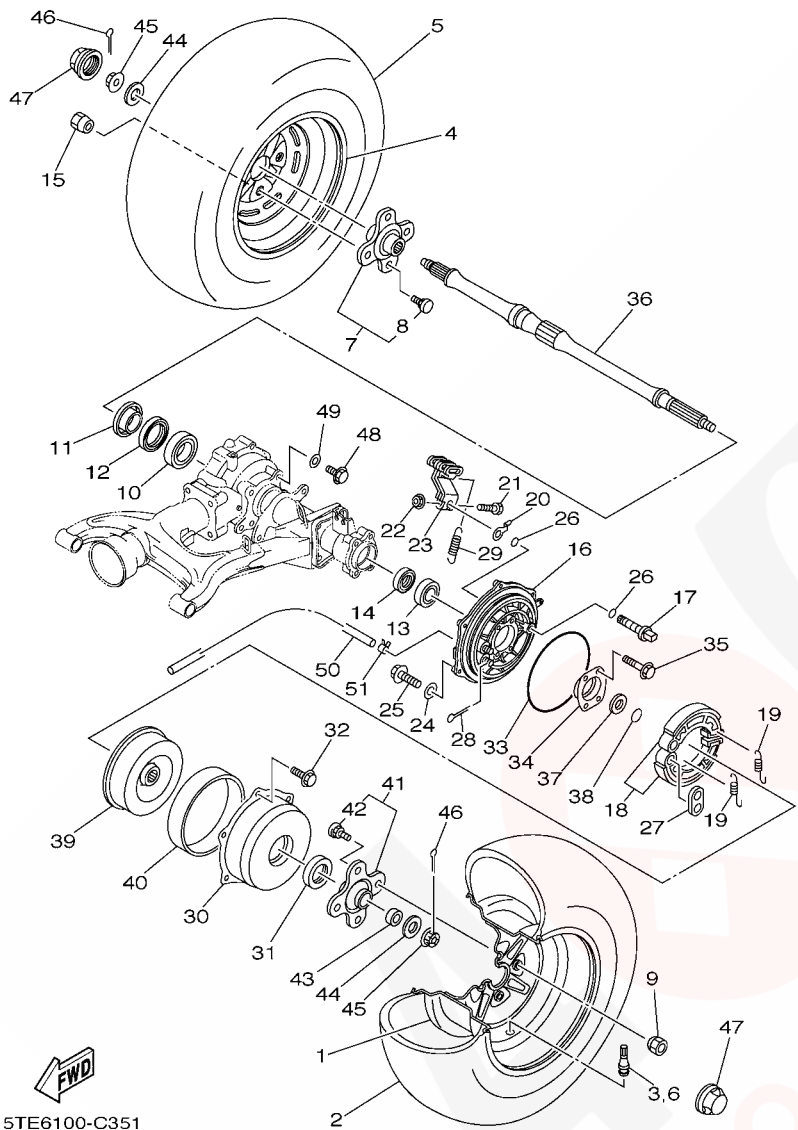
FIG. 35 REAR WHEEL



STE6100-C351

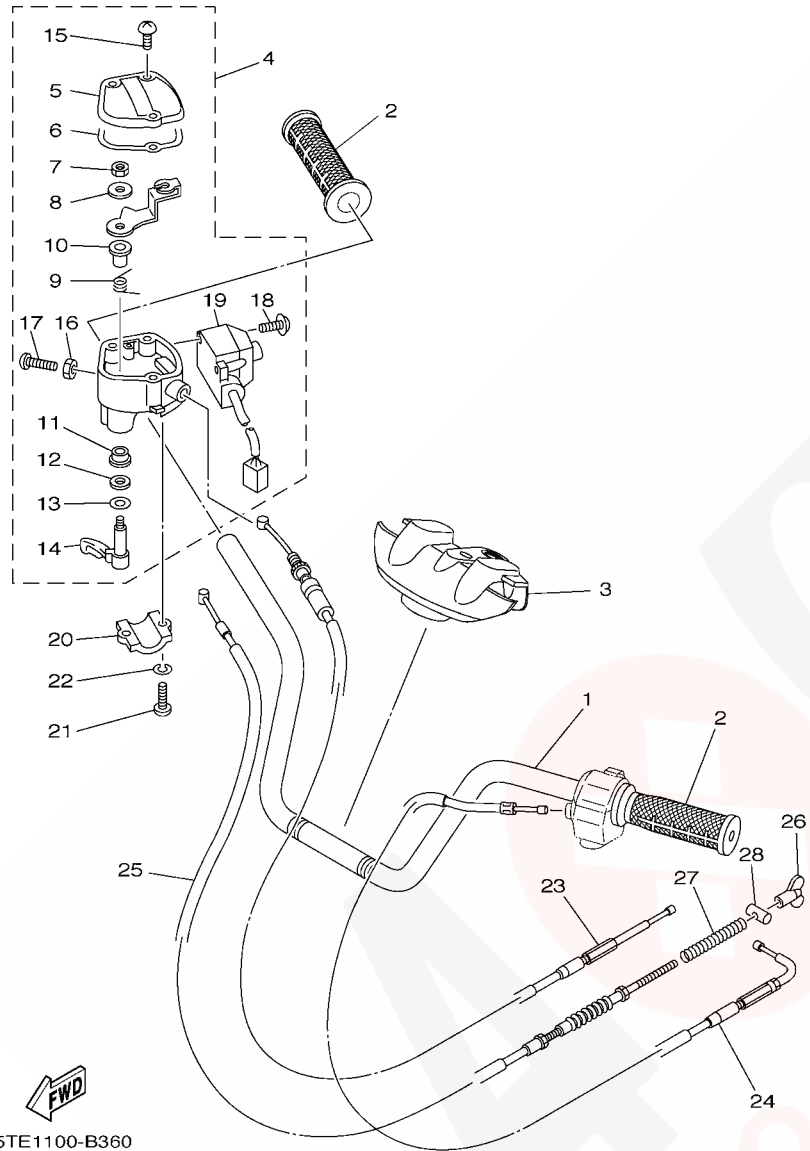
| REF. NO. | PART NO.     | DESCRIPTION      | EUR | OCÉ | REMARKS   |
|----------|--------------|------------------|-----|-----|-----------|
| 25       | 5VH-F5818-00 | BOLT, CALIPER    | 1   | 1   | (YMUS)    |
| 26       | 5VH-F5359-00 | SEAL, CAMSHAFT   | 2   | 2   | (YMUS)    |
| 27       | 5VH-F539F-00 | PLATE 1          | 1   | 1   | (YMUS)    |
| 28       | 91401-25020  | PIN, COTTER      | 2   | 2   |           |
| 29       | 90506-16482  | SPRING, TENSION  | 1   | 1   |           |
| 30       | 5FU-F5327-00 | COVER, PLATE     | 1   | 1   | (YMUS)    |
| 31       | 5FU-F5319-00 | SEAL, HUB DUST   | 1   | 1   | (YMUS)    |
| 32       | 9582P-06012  | BOLT, FLANGE     | 6   | 6   | (YMUS)    |
| 33       | 5FU-F537Y-00 | SEAL, DUST       | 1   | 1   | (YMUS)    |
| 34       | 4XE-G6513-00 | RETAINER         | 1   | 1   | (YMUS)    |
| 35       | 90105-08892  | BOLT, FLANGE     | 4   | 4   | (YMUS)    |
| 36       | 5TE-F5381-00 | AXLE, WHEEL      | 1   | 1   | (YMUS)    |
| 37       | 90387-284T0  | COLLAR           | 1   | 1   |           |
| 38       | 93210-26606  | O-RING           | 1   | 1   |           |
| 39       | 5FU-F531E-10 | DRUM, BRAKE      | 1   | 1   | (YMUS)    |
| 40       | 5FU-F5336-00 | RING 2           | 1   | 1   | (YMUS)    |
| 41       | 5FU-F5377-00 | COLLAR, WHEEL    | 1   | 1   | UR (YMUS) |
|          | 5FU-F5377-10 | COLLAR, WHEEL    | 1   | 1   | UR (YMUS) |
| 42       | 90114-10804  | .BOLT, SERRATION | 4   | 4   | (YMUS)    |
| 43       | 5FU-F5384-00 | WASHER, WHEEL    | 1   | 1   | (YMUS)    |
| 44       | 90201-168R1  | WASHER, PLATE    | 2   | 2   | (YMUS)    |
| 45       | 90171-16001  | NUT, CASTLE      | 2   | 2   |           |
| 46       | 91401-30030  | PIN, COTTER      | 2   | 2   |           |
| 47       | 5GT-2512A-00 | CAP, WHEEL       | 2   | 2   |           |
| 48       | 90105-10751  | BOLT, FLANGE     | 4   | 4   |           |
| 49       | 90201-101J1  | WASHER, PLATE    | 4   | 4   |           |
| 50       | 90445-07807  | HOSE (L1150)     | 1   | 1   | (YMUS)    |

FIG. 35 REAR WHEEL



| REF. NO. | PART NO.    | DESCRIPTION | EUR | OCF |  | REMARKS |
|----------|-------------|-------------|-----|-----|--|---------|
| 51       | 90467-07093 | CLIP        | 1   | 1   |  |         |
|          |             |             |     |     |  |         |
|          |             |             |     |     |  |         |
|          |             |             |     |     |  |         |
|          |             |             |     |     |  |         |
|          |             |             |     |     |  |         |
|          |             |             |     |     |  |         |
|          |             |             |     |     |  |         |
|          |             |             |     |     |  |         |
|          |             |             |     |     |  |         |

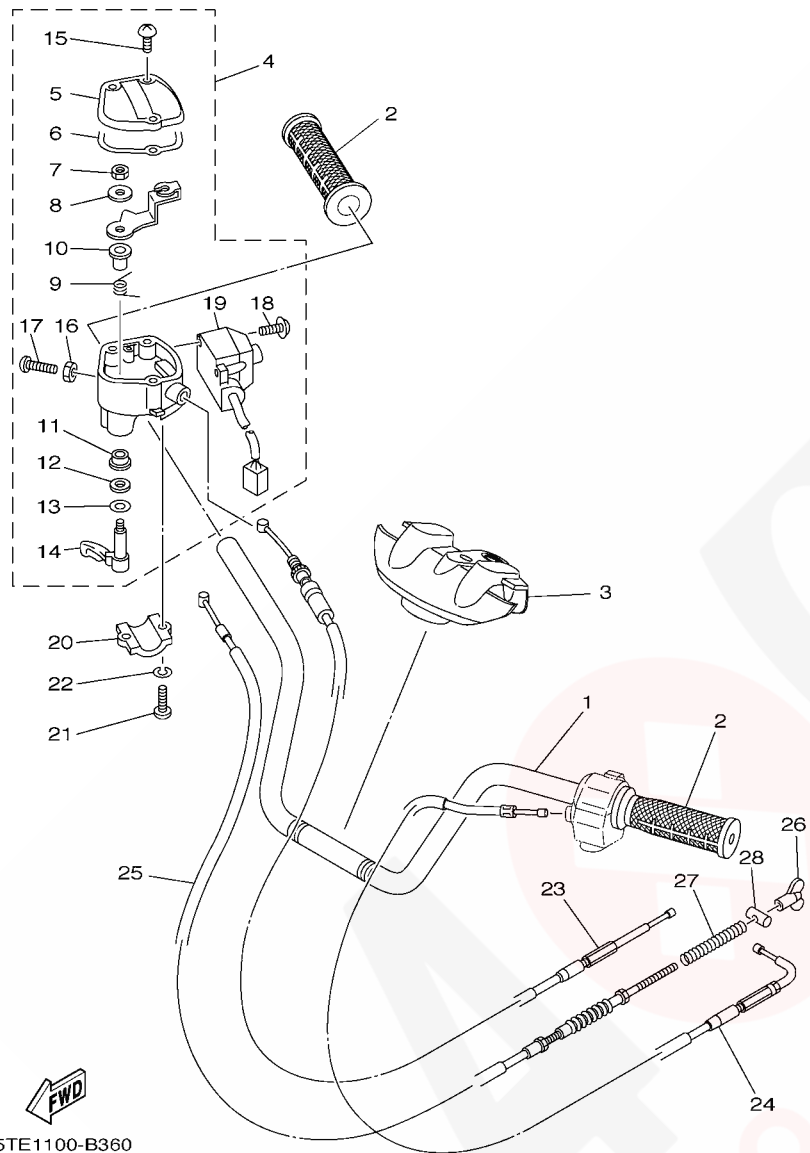
FIG. 36 STEERING HANDLE & CABLE



5TE1100-B360

| REF. NO. | PART NO.     | DESCRIPTION           | EUR | OCE | REMARKS |
|----------|--------------|-----------------------|-----|-----|---------|
| 1        | 5FU-F6111-10 | HANDLEBAR             | 1   | 1   | (YMUS)  |
| 2        | 5FU-F6241-10 | GRIP                  | 2   | 2   | (YMUS)  |
| 3        | 5ND-F6124-00 | PROTECTOR, HANDLEBAR  | 1   | 1   | (YMUS)  |
| 4        | 4WV-26250-10 | THROTTLE LEVER ASSY   | 1   | 1   |         |
| 5        | 4KB-2628F-10 | .CAP, GEAR            | 1   | 1   |         |
| 6        | 4KB-2628G-00 | .GASKET               | 1   | 1   |         |
| 7        | 95607-05100  | .NUT, U               | 1   | 1   |         |
| 8        | 1NV-26398-00 | .WASHER               | 1   | 1   |         |
| 9        | 1NV-26304-00 | .SPRING               | 1   | 1   |         |
| 10       | 1NV-26259-01 | .COLLAR               | 1   | 1   |         |
| 11       | 1NV-2625K-00 | .COLLAR               | 1   | 1   |         |
| 12       | 93104-09025  | .OIL SEAL             | 1   | 1   |         |
| 13       | 1NV-26129-00 | .WASHER               | 1   | 1   |         |
| 14       | 1NV-2625G-01 | .LEVER, THROTTLE      | 1   | 1   |         |
| 15       | 90149-04278  | .SCREW                | 3   | 3   |         |
| 16       | 95307-05700  | .NUT                  | 1   | 1   |         |
| 17       | 98507-05020  | .SCREW, PAN HEAD      | 1   | 1   |         |
| 18       | 97607-04210  | .SCREW, WITH WASHER   | 2   | 2   |         |
| 19       | 4WV-83976-00 | .SWITCH, HANDLE 1     | 1   | 1   |         |
| 20       | 4V4-82913-00 | HOLDER, LEVER LOWER 1 | 1   | 1   |         |
| 21       | 98507-05020  | SCREW, PAN HEAD       | 2   | 2   |         |
| 22       | 92907-05600  | WASHER, PLATE         | 2   | 2   |         |
| 23       | 5GH-26311-01 | CABLE, THROTTLE 1     | 1   | 1   |         |
| 24       | 5VH-F6331-00 | CABLE, STARTER 1      | 1   | 1   | (YMUS)  |
| 25       | 5TE-26341-00 | CABLE, BRAKE          | 1   | 1   |         |
| 26       | 20E-26343-00 | NUT, ADJUSTING        | 1   | 1   |         |
| 27       | 90501-10782  | SPRING, COMPRESSION   | 1   | 1   |         |

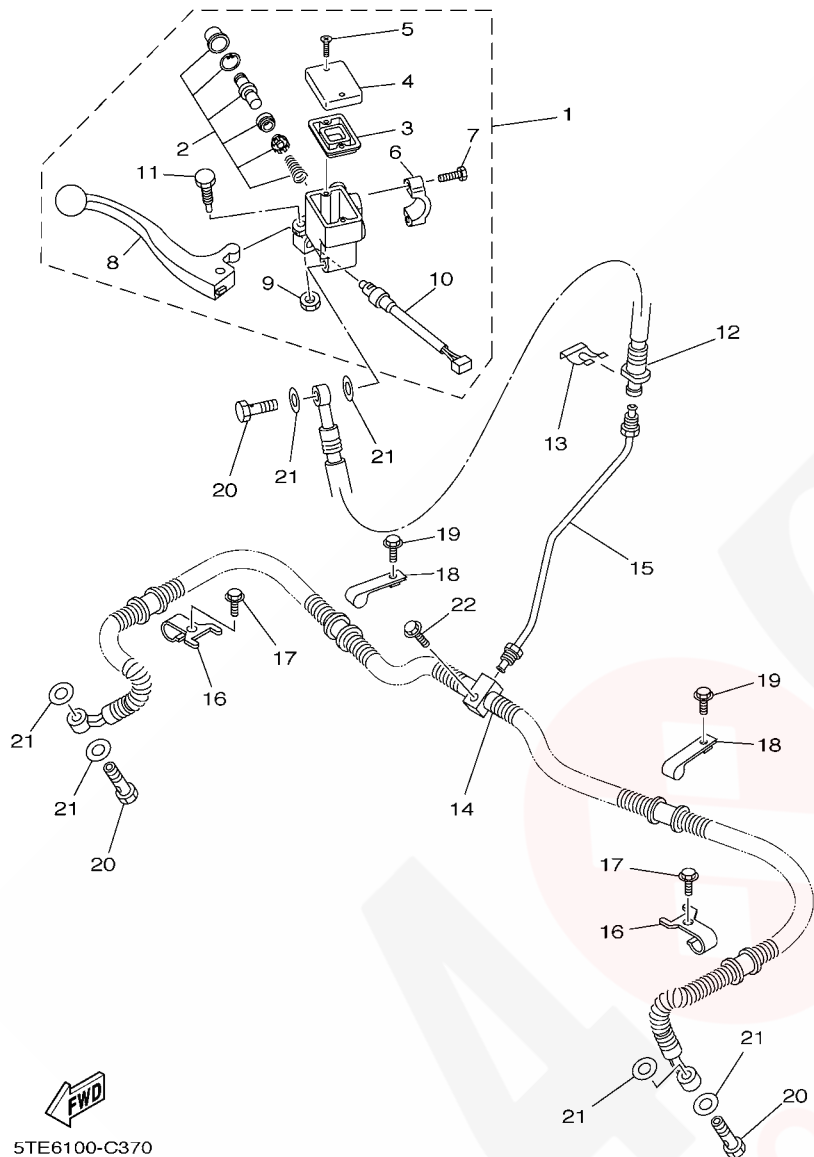
FIG. 36 STEERING HANDLE & CABLE



| REF. NO. | PART NO.    | DESCRIPTION | EUR | OCE |  |  | REMARKS |
|----------|-------------|-------------|-----|-----|--|--|---------|
| 28       | 90249-12008 | PIN         | 1   | 1   |  |  |         |
|          |             |             |     |     |  |  |         |
|          |             |             |     |     |  |  |         |
|          |             |             |     |     |  |  |         |
|          |             |             |     |     |  |  |         |
|          |             |             |     |     |  |  |         |
|          |             |             |     |     |  |  |         |
|          |             |             |     |     |  |  |         |
|          |             |             |     |     |  |  |         |
|          |             |             |     |     |  |  |         |

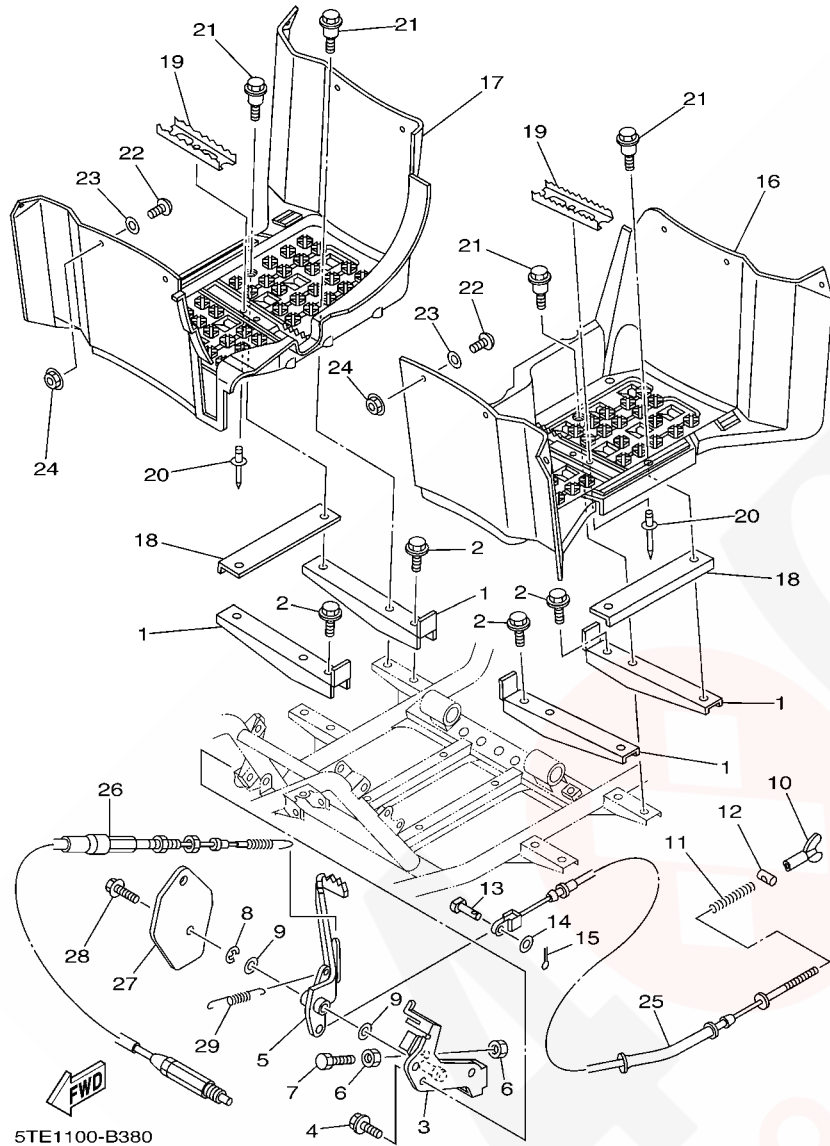


FIG. 37 FRONT MASTER CYLINDER



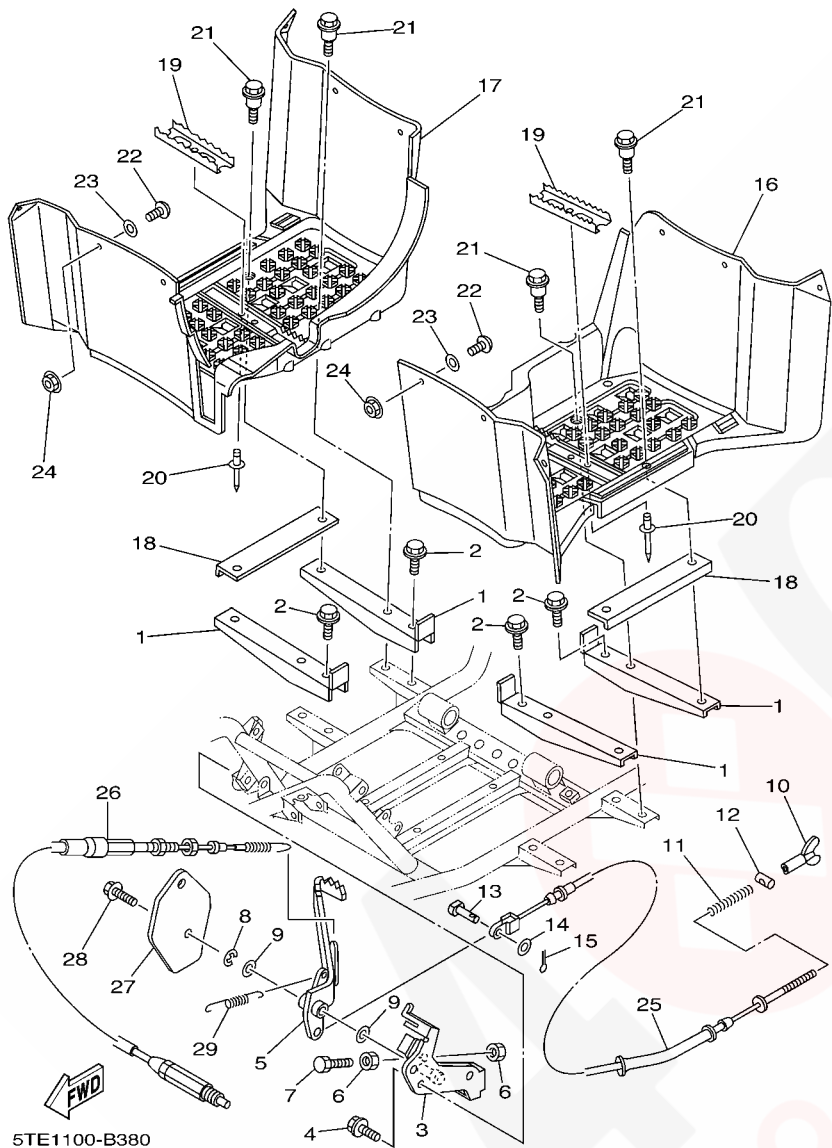
| REF. NO. | PART NO.     | DESCRIPTION               | EUR | OCE | REMARKS |
|----------|--------------|---------------------------|-----|-----|---------|
| 1        | 5KM-2583T-01 | MASTER CYLINDER ASSY      | 1   | 1   |         |
| 2        | 8CR-W0041-00 | .CYLINDER KIT, MASTER     | 1   | 1   |         |
| 3        | 4L0-25854-00 | .DIAPHRAGM, RESERVOIR     | 1   | 1   |         |
| 4        | 5JX-25852-01 | .CAP, RESERVOIR           | 1   | 1   |         |
| 5        | 98706-04012  | .SCREW, FLAT HEAD         | 2   | 2   |         |
| 6        | 5GH-25867-00 | .BRACKET, MASTER CYLINDER | 1   | 1   |         |
| 7        | 5EB-26332-00 | .BOLT                     | 2   | 2   |         |
| 8        | 5KM-83922-00 | .LEVER 2                  | 1   | 1   |         |
| 9        | 95606-06100  | .NUT, U                   | 1   | 1   |         |
| 10       | 5LP-83980-00 | .FRONT STOP SWITCH ASSY   | 1   | 1   |         |
| 11       | 1FK-2589F-00 | .BOLT, LEVER              | 1   | 1   |         |
| 12       | 5ND-F5872-00 | HOSE, BRAKE 1             | 1   | 1   | (YMUS)  |
| 13       | 2GU-25866-00 | CIRCLIP                   | 1   | 1   |         |
| 14       | 5ND-F5873-00 | HOSE, BRAKE 2             | 1   | 1   | (YMUS)  |
| 15       | 5ND-F5871-00 | PIPE, BRAKE               | 1   | 1   | (YMUS)  |
| 16       | 5ND-F5875-00 | HOLDER, BRAKE HOSE 1      | 2   | 2   | (YMUS)  |
| 17       | 95827-06012  | BOLT, FLANGE              | 2   | 2   |         |
| 18       | 5ND-F3192-00 | BAND                      | 2   | 2   | (YMUS)  |
| 19       | 9582P-06012  | BOLT, FLANGE              | 2   | 2   | (YMUS)  |
| 20       | 90401-10159  | BOLT, UNION               | 3   | 3   |         |
| 21       | 90201-10118  | WASHER, PLATE             | 6   | 6   |         |
| 22       | 95827-06025  | BOLT, FLANGE              | 1   | 1   |         |

FIG. 38 STAND & FOOTREST



| REF. NO. | PART NO.     | DESCRIPTION         | EUR | OCE | REMARKS |
|----------|--------------|---------------------|-----|-----|---------|
| 1        | 5ND-F7471-01 | BAR, FOOTREST 1     | 4   | 4   | (YMUS)  |
| 2        | 9581P-08012  | BOLT, FLANGE        | 4   | 4   | (YMUS)  |
| 3        | 5TE-F7412-10 | BRACKET, FOOTREST 1 | 1   | 1   | (YMUS)  |
| 4        | 9581P-08012  | BOLT, FLANGE        | 3   | 3   | (YMUS)  |
| 5        | 5TE-F7211-00 | PEDAL, BRAKE        | 1   | 1   | (YMUS)  |
| 6        | 95317-06700  | NUT                 | 2   | 2   |         |
| 7        | 97017-06020  | BOLT                | 1   | 1   |         |
| 8        | 93430-10015  | CIRCLIP             | 1   | 1   |         |
| 9        | 90201-144J2  | WASHER, PLATE       | 2   | 2   |         |
| 10       | 20E-26343-00 | NUT, ADJUSTING      | 1   | 1   |         |
| 11       | 90501-10782  | SPRING, COMPRESSION | 1   | 1   |         |
| 12       | 90249-12008  | PIN                 | 1   | 1   |         |
| 13       | 90240-08124  | PIN, CLEVIS         | 1   | 1   |         |
| 14       | 90201-08083  | WASHER, PLATE       | 1   | 1   |         |
| 15       | 91401-20020  | PIN, COTTER         | 1   | 1   |         |
| 16       | 5ND-F7453-00 | COVER 1             | 1   | 1   | (YMUS)  |
| 17       | 5ND-F7463-00 | COVER 2             | 1   | 1   | (YMUS)  |
| 18       | 5ND-F7445-00 | PLATE 1             | 2   | 2   | (YMUS)  |
| 19       | 5UH-F741A-00 | ARM 1               | 2   | 2   | (YMUS)  |
| 20       | 90267-489U9  | RIVET, BLIND        | 2   | 2   | (YMUS)  |
| 21       | 90109-063F5  | BOLT                | 8   | 8   |         |
| 22       | 90149-05299  | SCREW               | 12  | 12  |         |
| 23       | 90201-05029  | WASHER, PLATE       | 12  | 12  |         |
| 24       | 95707-05300  | NUT, FLANGE         | 12  | 12  |         |
| 25       | 5TE-26361-00 | CABLE, BRAKE        | 1   | 1   |         |
| 26       | 5GH-2637F-00 | CABLE, CONTROL 2    | 1   | 1   |         |
| 27       | 5TE-F7491-00 | PROTECTOR           | 1   | 1   | (YMUS)  |

FIG. 38 STAND & FOOTREST



| REF. NO. | PART NO.    | DESCRIPTION       | EUR | OCÉ | REMARKS |
|----------|-------------|-------------------|-----|-----|---------|
| 28       | 90119-06009 | BOLT, WITH WASHER | 1   | 1   |         |
| 29       | 90506-12403 | SPRING, TENSION   | 1   | 1   |         |
|          |             |                   |     |     |         |
|          |             |                   |     |     |         |
|          |             |                   |     |     |         |
|          |             |                   |     |     |         |
|          |             |                   |     |     |         |
|          |             |                   |     |     |         |
|          |             |                   |     |     |         |
|          |             |                   |     |     |         |

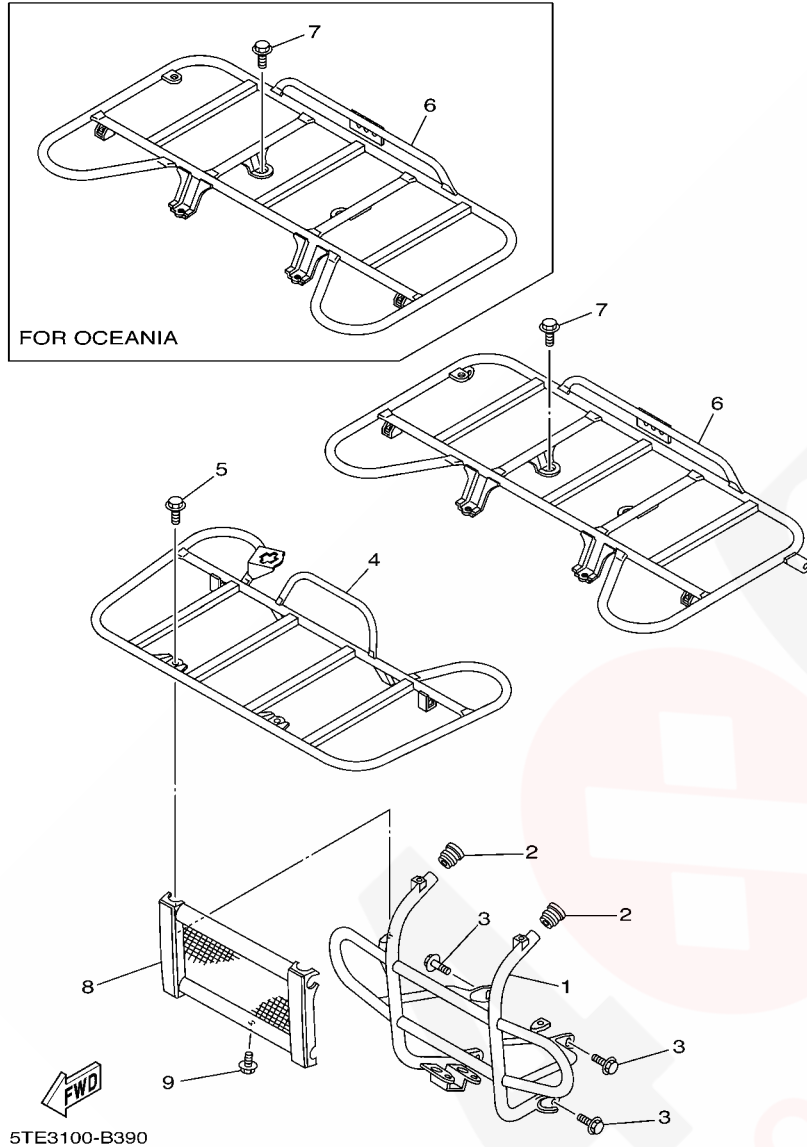
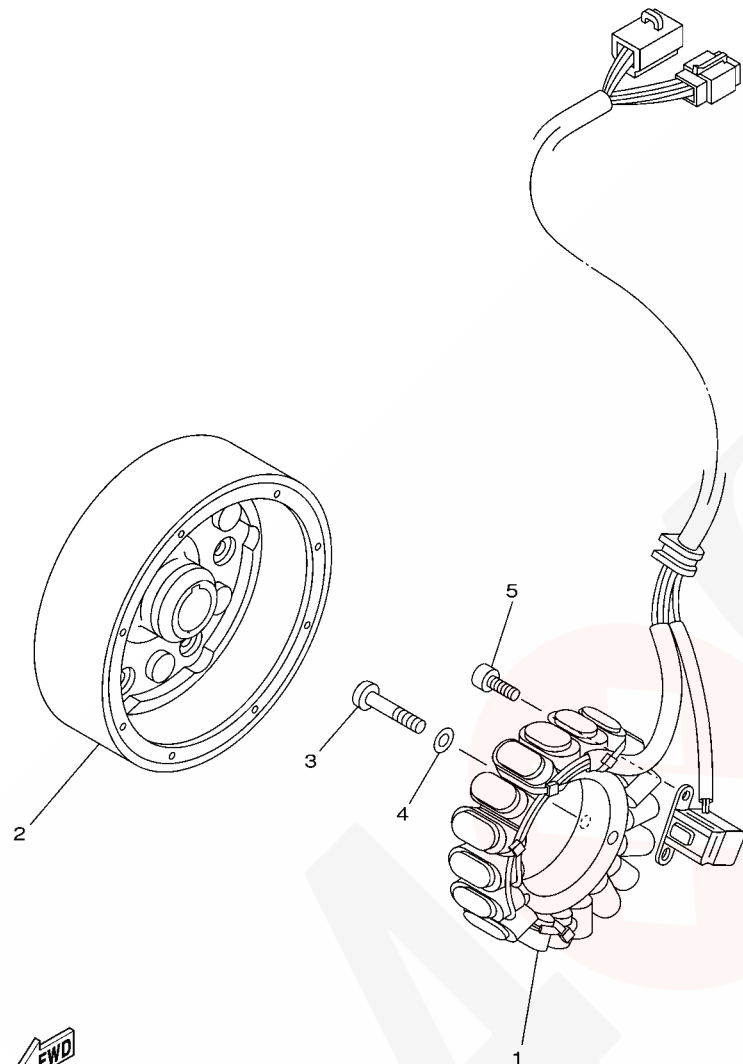


FIG. 39 GUARD

| REF. NO. | PART NO.     | DESCRIPTION       | EUR | OCE | REMARKS |
|----------|--------------|-------------------|-----|-----|---------|
| 1        | 5ND-F845N-00 | BAR, CARRY FRONT  | 1   | 1   | (YMUS)  |
| 2        | 4XE-F1399-00 | CAP, TOOL BOX     | 2   | 2   | (YMUS)  |
| 3        | 9581P-08012  | BOLT, FLANGE      | 4   | 4   | (YMUS)  |
| 4        | 5TE-F4841-00 | CARRIER, FRONT    | 1   | 1   | (YMUS)  |
| 5        | 9581P-08012  | BOLT, FLANGE      | 4   | 4   | (YMUS)  |
| 6        | 5ND-F4842-10 | CARRIER, REAR     | 1   |     | (YMUS)  |
|          | 5ND-F4842-00 | CARRIER, REAR     |     | 1   | (YMUS)  |
| 7        | 9581P-08012  | BOLT, FLANGE      | 4   | 4   | (YMUS)  |
| 8        | 5TE-F842A-00 | COVER 5           | 1   | 1   | (YMUS)  |
| 9        | 90119-06079  | BOLT, WITH WASHER | 1   | 1   |         |

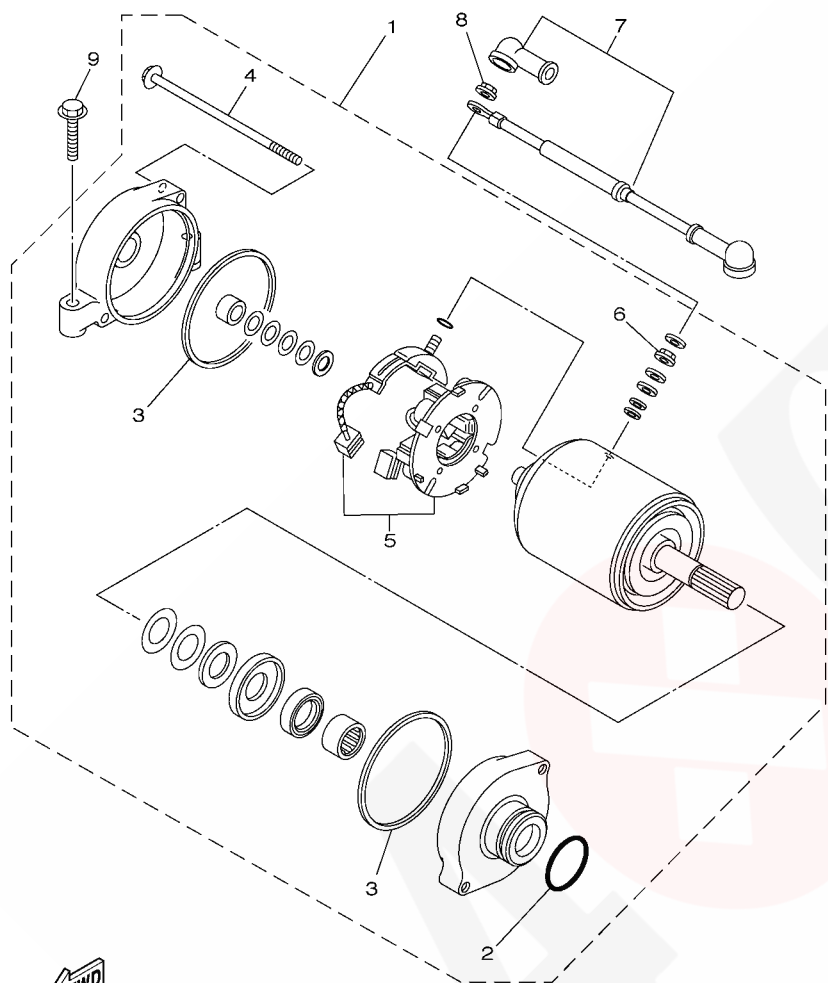
**FIG. 40 GENERATOR**



| REF. NO. | PART NO.     | DESCRIPTION     | EUR | OCE |  |  |  | REMARKS |
|----------|--------------|-----------------|-----|-----|--|--|--|---------|
| 1        | 5ND-81410-00 | STATOR ASSY     | 1   | 1   |  |  |  |         |
| 2        | 5GH-81450-00 | ROTOR ASSY      | 1   | 1   |  |  |  |         |
| 3        | 98507-06030  | SCREW, PAN HEAD | 3   | 3   |  |  |  |         |
| 4        | 92907-06600  | WASHER, PLATE   | 3   | 3   |  |  |  |         |
| 5        | 91317-05012  | BOLT            | 2   | 2   |  |  |  |         |
| -----    |              |                 |     |     |  |  |  |         |
| -----    |              |                 |     |     |  |  |  |         |
| -----    |              |                 |     |     |  |  |  |         |
| -----    |              |                 |     |     |  |  |  |         |
| -----    |              |                 |     |     |  |  |  |         |
| -----    |              |                 |     |     |  |  |  |         |
| -----    |              |                 |     |     |  |  |  |         |
| -----    |              |                 |     |     |  |  |  |         |
| -----    |              |                 |     |     |  |  |  |         |
| -----    |              |                 |     |     |  |  |  |         |

  
5GH1110-0420

FIG. 41 STARTING MOTOR



| REF. NO. | PART NO.     | DESCRIPTION         | EUR | OCE | REMARKS |
|----------|--------------|---------------------|-----|-----|---------|
| 1        | 5KM-81890-00 | MOTOR ASSY          | 1   | 1   |         |
| 2        | 1FK-81847-00 | .O-RING             | 1   | 1   |         |
| 3        | 11H-81844-00 | .GASKET             | 2   | 2   |         |
| 4        | 3AJ-81826-00 | .BOLT               | 2   | 2   |         |
| 5        | 3AJ-81801-00 | .BRUSH SET          | 1   | 1   |         |
| 6        | 4XV-8182A-00 | .NUT                | 1   | 1   |         |
| 7        | 5ND-81815-00 | CORD, STARTER MOTOR | 1   | 1   |         |
| 8        | 4XV-8182A-00 | NUT                 | 1   | 1   |         |
| 9        | 95027-06030  | BOLT, FLANGE        | 2   | 2   |         |



5ND6100-C440

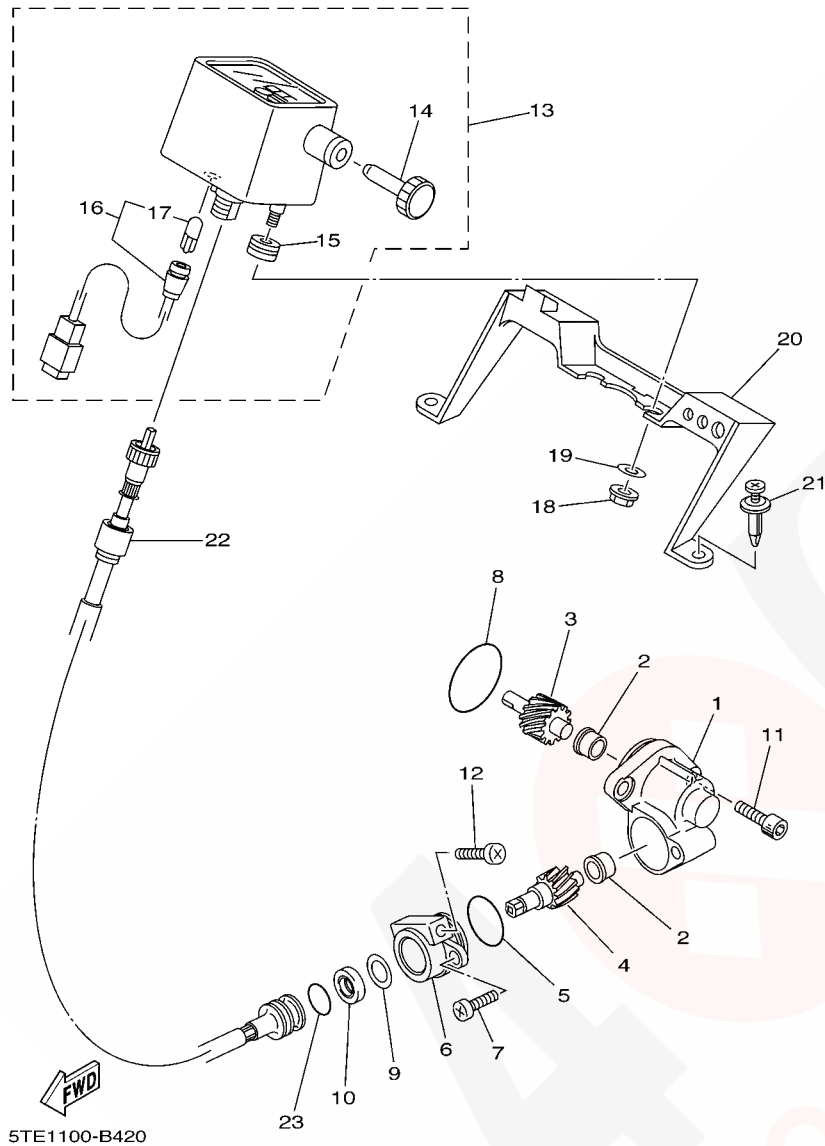
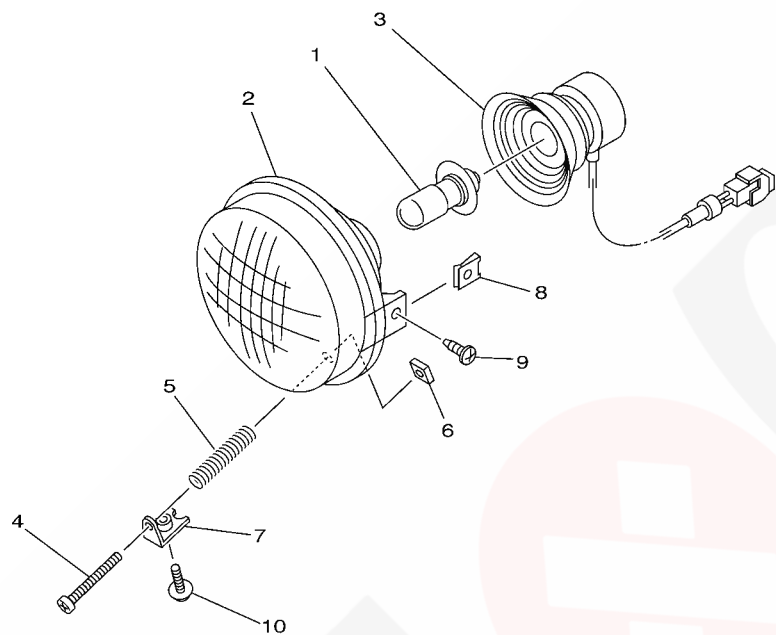


FIG. 42 METER

| REF. NO. | PART NO.     | DESCRIPTION               | EUR | QCE | REMARKS   |
|----------|--------------|---------------------------|-----|-----|-----------|
| 1        | 4WV-17811-00 | HOUSING, TACHOMETER GEAR  | 1   | 1   |           |
| 2        | 90381-08002  | BUSH, SOLID               | 2   | 2   |           |
| 3        | 4WV-17831-00 | GEAR, DRIVE               | 1   | 1   |           |
| 4        | 4WV-17841-00 | GEAR, DRIVEN              | 1   | 1   |           |
| 5        | 93210-24253  | O-RING                    | 1   | 1   |           |
| 6        | 59V-17811-00 | HOUSING, TACHOMETER GEAR  | 1   | 1   |           |
| 7        | 98507-06016  | SCREW, PAN HEAD           | 1   | 1   |           |
| 8        | 93210-32172  | O-RING                    | 1   | 1   |           |
| 9        | 90201-12163  | WASHER, PLATE             | 1   | 1   |           |
| 10       | 93102-08307  | OIL SEAL                  | 1   | 1   |           |
| 11       | 90110-06005  | BOLT, HEXAGON SOCKET HEAD | 2   | 2   |           |
| 12       | 98507-06030  | SCREW, PAN HEAD           | 1   | 1   |           |
| 13       | 5GH-83500-00 | SPEEDOMETER ASSY          | 1   |     | UR MILE/H |
|          | 5GH-83500-10 | SPEEDOMETER ASSY          | 1   | 1   | UR KM/H   |
| 14       | 3GH-83578-00 | .KNOB, TRIP METER         | 1   | 1   |           |
| 15       | 3GH-83523-00 | .DAMPER                   | 2   | 2   |           |
| 16       | 5GH-83520-00 | .SOCKET CORD ASSY         | 1   | 1   |           |
| 17       | 5GH-83517-00 | ..BULB (14V-3.4W)         | 1   | 1   |           |
| 18       | 95707-05500  | NUT, FLANGE               | 2   | 2   |           |
| 19       | 90201-05725  | WASHER, PLATE             | 2   | 2   |           |
| 20       | 5TE-H3519-00 | BRACKET, METER            | 1   | 1   | (YMUS)    |
| 21       | 90269-06800  | RIVET                     | 2   | 2   | (YMUS)    |
| 22       | 5VH-H3550-00 | SPEEDOMETER CABLE ASSY    | 1   | 1   | (YMUS)    |
| 23       | 93210-14104  | O-RING                    | 1   | 1   |           |

FIG. 43 HEADLIGHT



| REF. NO. | PART NO.     | DESCRIPTION                  | EUR | OCE | REMARKS |
|----------|--------------|------------------------------|-----|-----|---------|
| 1        | 5FU-H4314-00 | BULB, HEADLIGHT (12V-30/30W) | 2   | 2   | (YMUS)  |
| 2        | 5FU-H4320-00 | LENS ASSY                    | 2   | 2   | (YMUS)  |
| 3        | 5FU-H4340-00 | SOCKET CORD ASSY 1           | 2   | 2   | (YMUS)  |
| 4        | 98507-03540  | SCREW, PAN HEAD              | 2   | 2   |         |
| 5        | 2GU-84332-00 | SPRING, SCREW                | 2   | 2   |         |
| 6        | 2GU-84334-00 | NUT, ADJUSTING               | 2   | 2   |         |
| 7        | 5GH-84703-00 | BRACKET                      | 2   | 2   |         |
| 8        | 90183-05008  | NUT, SPRING                  | 4   | 4   |         |
| 9        | 90150-05802  | SCREW, ROUND HEAD            | 4   | 4   | (YMUS)  |
| 10       | 90159-05022  | SCREW, WITH WASHER           | 2   | 2   |         |

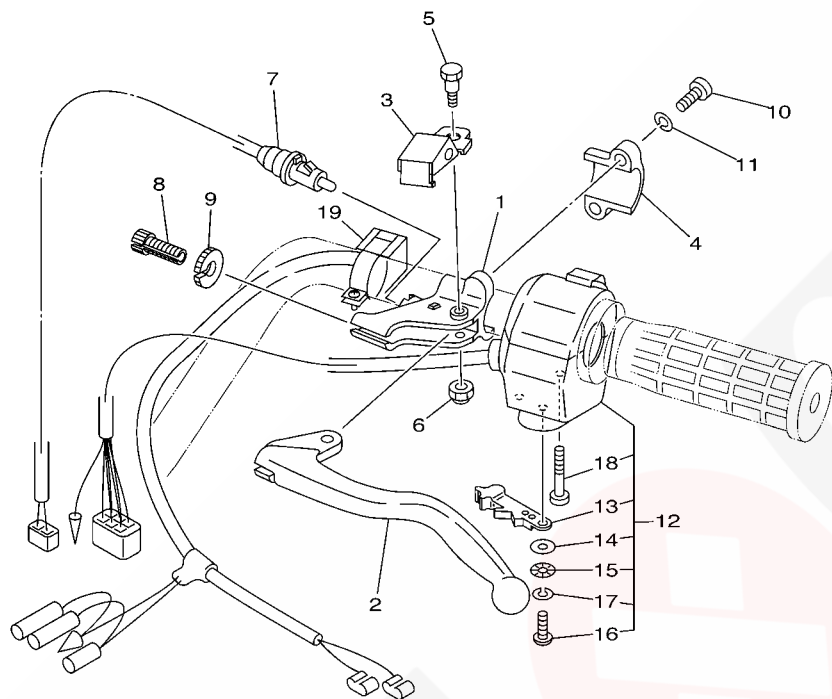


5ND1100-3450





**FIG. 45 HANDLE SWITCH & LEVER**



| REF. NO. | PART NO.     | DESCRIPTION            | EUR | OCE | REMARKS |
|----------|--------------|------------------------|-----|-----|---------|
| 1        | 1YW-82911-02 | HOLDER, LEVER 1        | 1   | 1   |         |
| 2        | 2HT-83912-00 | LEVER 1                | 1   | 1   |         |
| 3        | 1YW-83965-00 | LEVER, LOCK            | 1   | 1   |         |
| 4        | 2XJ-82913-00 | HOLDER, LEVER LOWER 1  | 1   | 1   |         |
| 5        | 90109-06576  | BOLT                   | 1   | 1   |         |
| 6        | 95607-06100  | NUT, U                 | 1   | 1   |         |
| 7        | 3FA-83980-02 | FRONT STOP SWITCH ASSY | 1   | 1   |         |
| 8        | 90123-08046  | BOLT                   | 1   | 1   |         |
| 9        | 90179-08148  | NUT                    | 1   | 1   |         |
| 10       | 98507-06020  | SCREW, PAN HEAD        | 2   | 2   |         |
| 11       | 92907-06100  | WASHER, SPRING         | 2   | 2   |         |
| 12       | 5LP-83973-01 | SWITCH, HANDLE 3       | 1   | 1   |         |
| 13       | 5GH-83941-00 | .LEVER, STARTER        | 1   | 1   |         |
| 14       | 1UY-83909-00 | .WASHER, SPECIAL       | 1   | 1   |         |
| 15       | 3L4-83943-00 | .WASHER, STARTER       | 1   | 1   |         |
| 16       | 98517-05012  | .SCREW, PAN HEAD       | 1   | 1   |         |
| 17       | 92907-05100  | .WASHER, SPRING        | 1   | 1   |         |
| 18       | 98507-05030  | .SCREW, PAN HEAD       | 2   | 2   |         |
| 19       | 4GB-83976-00 | SWITCH, HANDLE 1       | 1   | 1   |         |



5TE3100-B450

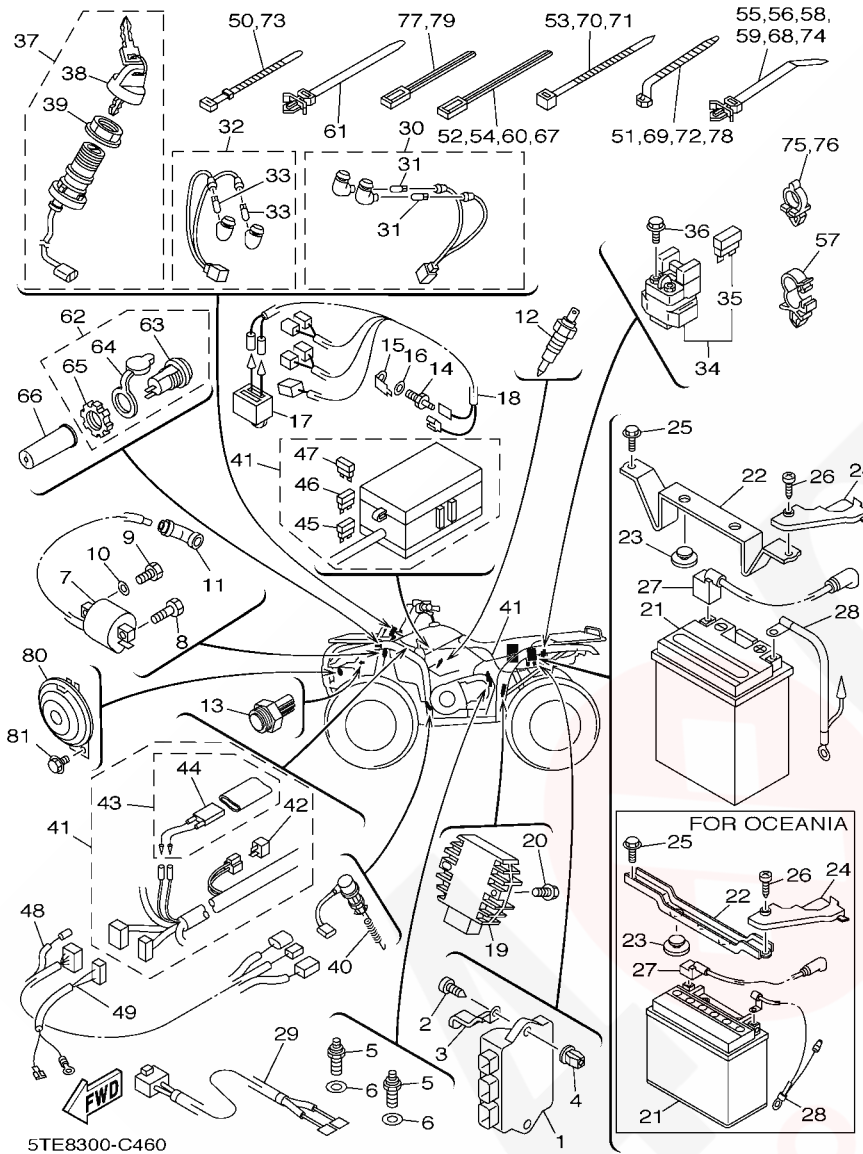


FIG. 46 ELECTRICAL 1

| REF. NO. | PART NO.     | DESCRIPTION                    | EUR | OCE | REMARKS |
|----------|--------------|--------------------------------|-----|-----|---------|
| 1        | 5TE-85540-00 | C.D.I. UNIT ASSY               | 1   | 1   |         |
| 2        | 97707-60420  | SCREW, TAPPING                 | 1   | 1   |         |
| 3        | 90462-06016  | CLAMP                          | 1   | 1   |         |
| 4        | 90338-08226  | PLUG                           | 1   | 1   |         |
| 5        | 3GB-82540-01 | NEUTRAL SWITCH ASSY            | 2   | 2   |         |
| 6        | 90430-10148  | GASKET                         | 2   | 2   |         |
| 7        | 3KJ-82310-10 | IGNITION COIL ASSY             | 1   | 1   |         |
| 8        | 90109-06723  | BOLT                           | 1   | 1   |         |
| 9        | 97007-06020  | BOLT                           | 1   | 1   |         |
| 10       | 92907-06600  | WASHER, PLATE                  | 1   | 1   |         |
| 11       | 1UY-82370-20 | PLUG CAP ASSY                  | 1   | 1   |         |
| 12       | 4BA-82560-00 | THERMO SWITCH ASSY             | 1   | 1   |         |
| 13       | 5ND-82560-10 | THERMO SWITCH ASSY             | 1   | 1   |         |
| 14       | 5FU-83790-00 | HEATER ASSY (15W)              | 1   | 1   | AP      |
| 15       | 5FU-82103-00 | TERMINAL 1                     | 1   | 1   | AP      |
| 16       | 90201-08016  | WASHER, PLATE                  | 1   | 1   | AP      |
| 17       | 5FU-82560-20 | THERMO SWITCH ASSY             | 1   | 1   | AP      |
| 18       | 5TE-82509-00 | WIRE, SUB LEAD                 | 1   | 1   | AP      |
| 19       | 5GT-81960-00 | RECTIFIER & REGULATOR ASSY     | 1   | 1   |         |
| 20       | 95807-06020  | BOLT, FLANGE                   | 2   | 2   |         |
| 21       | 5TE-H2100-00 | BATTERY ASSY (YUASA YTX14AH)   | 1   |     | (YMUS)  |
|          | 5FU-H2100-20 | BATTERY ASSY (YUASA YTX20L-BS) |     | 1   | (YMUS)  |
| 22       | 5TE-H2128-00 | BRACKET, BATTERY               | 1   |     | (YMUS)  |
|          | 5ND-H2128-00 | BRACKET, BATTERY               |     | 1   | (YMUS)  |
| 23       | 371-82121-00 | PAD, BATTERY                   | 2   | 2   |         |
| 24       | 5ND-H2119-00 | COVER, LEAD WIRE               | 1   | 1   | (YMUS)  |
| 25       | 95807-06020  | BOLT, FLANGE                   | 2   | 2   |         |

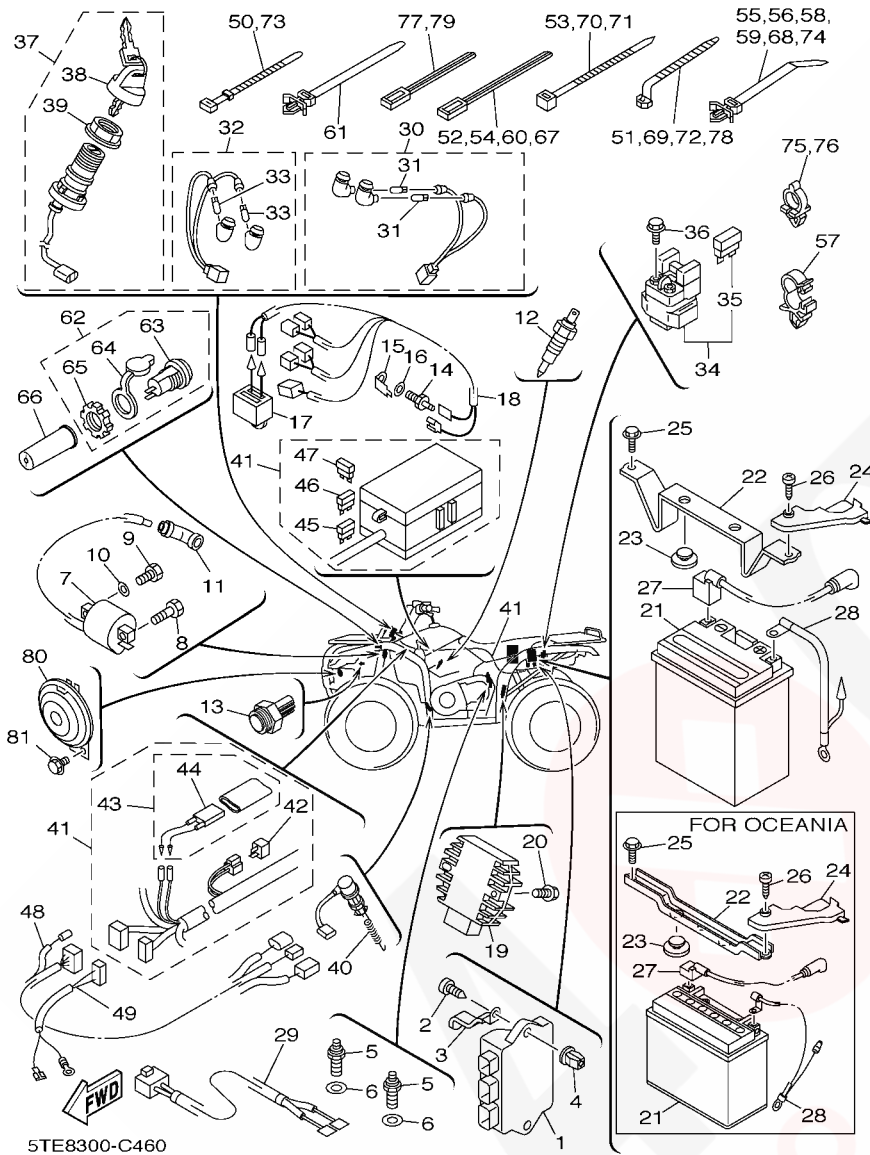


FIG. 46 ELECTRICAL 1

| REF. NO. | PART NO.     | DESCRIPTION           | EUR | OC | REMARKS |
|----------|--------------|-----------------------|-----|----|---------|
| 26       | 97707-60016  | SCREW, TAPPING        | 1   | 1  |         |
| 27       | 5TE-H2115-00 | WIRE, PLUS LEAD       | 1   |    | (YMUS)  |
|          | 5ND-H2115-00 | WIRE, PLUS LEAD       |     | 1  | (YMUS)  |
| 28       | 5TE-H2116-00 | WIRE, MINUS LEAD      | 1   |    | (YMUS)  |
|          | 5ND-H2116-00 | WIRE, MINUS LEAD      |     | 1  | (YMUS)  |
| 29       | 5TE-82541-00 | WIRE, LEAD            | 1   | 1  |         |
| 30       | 5TE-83530-00 | PILOT LIGHT ASSY      | 1   | 1  |         |
| 31       | 5GH-83516-00 | .BULB (14V-1.7W)      | 2   | 2  |         |
| 32       | 5GH-83530-10 | PILOT LIGHT ASSY      | 1   | 1  |         |
| 33       | 5GH-83516-00 | .BULB (14V-1.7W)      | 2   | 2  |         |
| 34       | 4SV-81940-00 | STARTER RELAY ASSY    | 1   | 1  |         |
| 35       | 1AE-82151-00 | .FUSE (30A-BL)        | 2   | 2  |         |
| 36       | 9502P-06008  | BOLT, FLANGE          | 2   | 2  | (YMUS)  |
| 37       | 5ND-82510-00 | MAIN SWITCH ASSY      | 1   | 1  |         |
| 38       | 3HN-82579-00 | .CAP, KEY             | 1   | 1  |         |
| 39       | 3HN-82569-00 | .NUT, MAIN SWITCH     | 1   | 1  |         |
| 40       | 4KB-82530-10 | STOP SWITCH ASSY      | 1   | 1  |         |
| 41       | 5TE-82590-10 | WIRE HARNESS ASSY     | 1   | 1  |         |
| 42       | 3WP-81980-00 | .DIODE ASSY           | 1   | 1  |         |
| 43       | 5ND-82180-00 | .CIRCUIT BREAKER ASSY | 1   | 1  |         |
| 44       | 5ND-82560-00 | .THERMO SWITCH ASSY   | 1   | 1  |         |
| 45       | 5JJ-82151-10 | .FUSE (15A-BL)        | 2   | 2  |         |
| 46       | 5JJ-82151-30 | .FUSE (10A-BL)        | 3   | 3  |         |
| 47       | 5JJ-82151-50 | .FUSE (3A-BL)         | 2   | 2  |         |
| 48       | 5GH-82309-10 | WIRE, SUB LEAD        | 1   | 1  |         |
| 49       | 5GH-82509-30 | WIRE, SUB LEAD        | 1   | 1  |         |
| 50       | 90464-51800  | CLAMP                 | 2   | 2  | (YMUS)  |

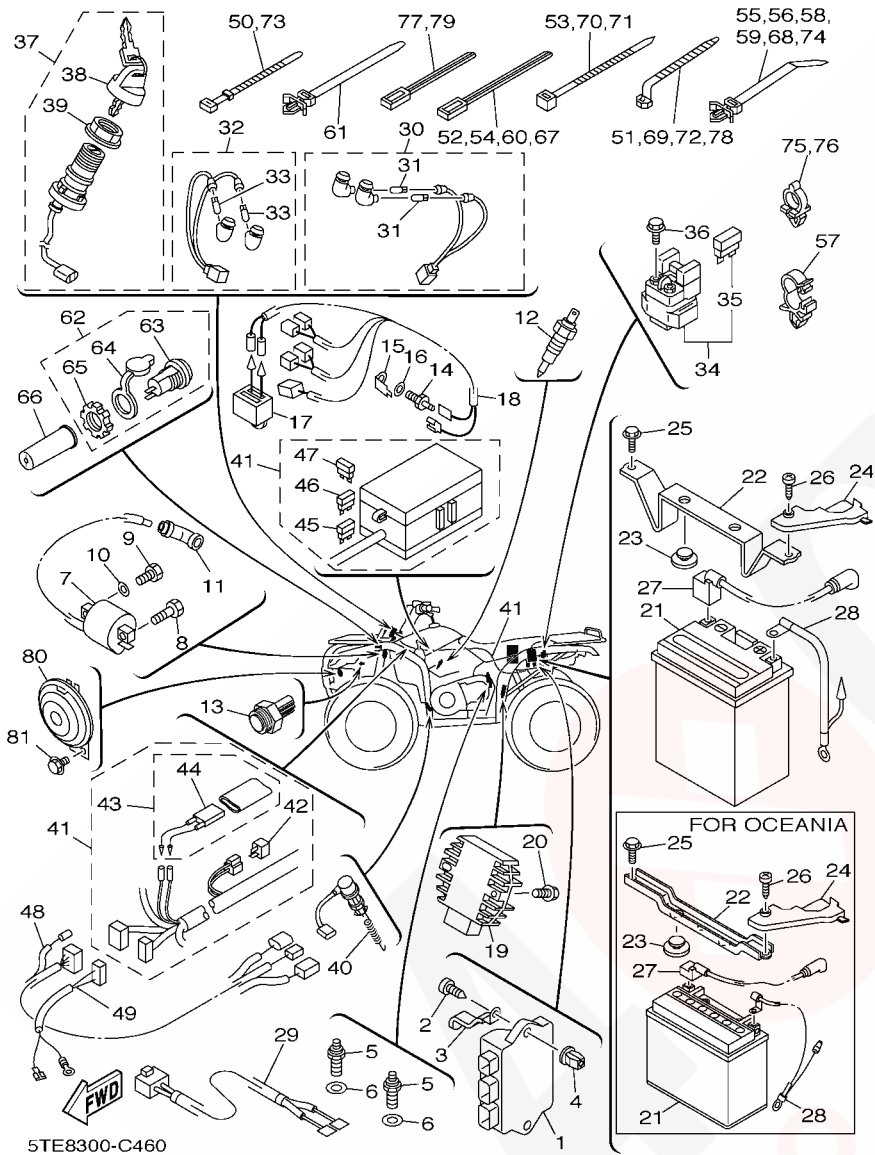
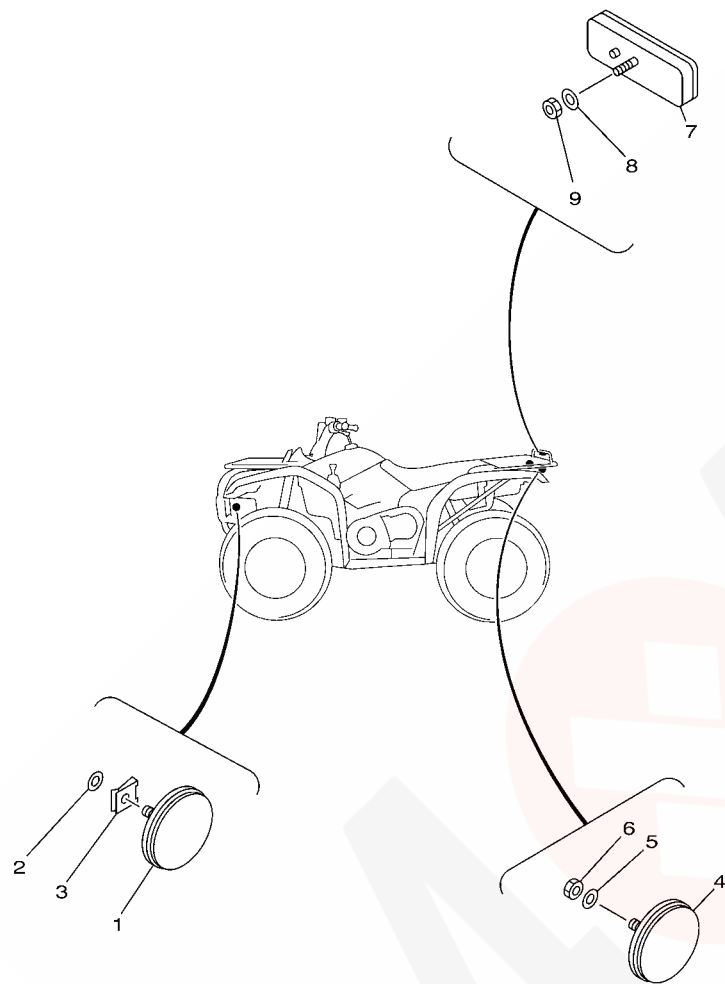


FIG. 46 ELECTRICAL 1

| REF. NO. | PART NO.     | DESCRIPTION      | EUR | OCE | REMARKS |
|----------|--------------|------------------|-----|-----|---------|
| 51       | 90464-12830  | CLAMP            | 1   | 1   | (YMUS)  |
| 52       | 90464-40825  | CLAMP            | 1   | 1   | (YMUS)  |
| 53       | 90464-31827  | CLAMP            | 4   | 4   | (YMUS)  |
| 54       | 90464-40825  | CLAMP            | 4   | 4   | (YMUS)  |
| 55       | 90464-25800  | CLAMP            | 2   | 2   | (YMUS)  |
| 56       | 90464-25800  | CLAMP            | 2   | 2   | (YMUS)  |
| 57       | 90464-16006  | CLAMP            | 2   | 2   |         |
| 58       | 90464-25800  | CLAMP            | 1   | 1   | (YMUS)  |
| 59       | 90464-25800  | CLAMP            | 2   | 2   | (YMUS)  |
| 60       | 90464-40825  | CLAMP            | 1   | 1   | (YMUS)  |
| 61       | 90464-38800  | CLAMP            | 2   | 2   | (YMUS)  |
| 62       | 5FU-H1920-10 | TERMINAL ASSY    | 1   | 1   | (YMUS)  |
| 63       | 5FU-H1925-10 | .TERMINAL        | 1   | 1   | (YMUS)  |
| 64       | 5FU-H1942-10 | .COVER           | 1   | 1   | (YMUS)  |
| 65       | 5FU-H191B-10 | .NUT             | 1   | 1   | (YMUS)  |
| 66       | 5FU-H2599-01 | COVER, CONNECTER | 1   | 1   | (YMUS)  |
| 67       | 90464-40825  | CLAMP            | 1   | 1   | (YMUS)  |
| 68       | 90464-25800  | CLAMP            | 1   | 1   | (YMUS)  |
| 69       | 90464-12830  | CLAMP            | 1   | 1   | (YMUS)  |
| 70       | 90464-31827  | CLAMP            | 1   | 1   | (YMUS)  |
| 71       | 90464-31827  | CLAMP            | 2   | 2   | (YMUS)  |
| 72       | 90464-12830  | CLAMP            | 1   | 1   | (YMUS)  |
| 73       | 90464-51800  | CLAMP            | 1   | 1   | (YMUS)  |
| 74       | 90464-25800  | CLAMP            | 1   | 1   | (YMUS)  |
| 75       | 90464-10833  | CLAMP            | 1   | 1   | (YMUS)  |
| 76       | 90464-10833  | CLAMP            | 2   | 2   | (YMUS)  |
| 77       | 90464-48800  | CLAMP            | 3   | 3   | (YMUS)  |



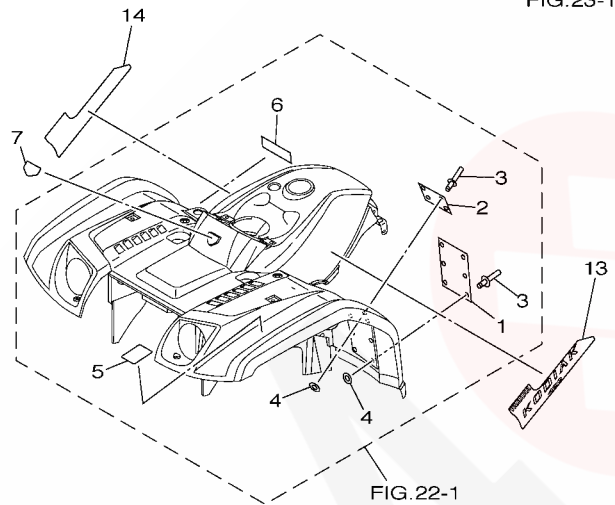
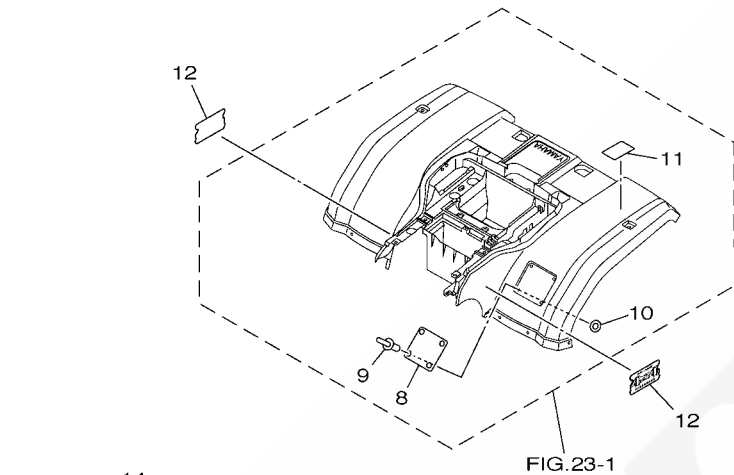
FIG. 47 ELECTRICAL 2



  
5ND1100-3501

| REF. NO. | PART NO.     | DESCRIPTION         | EUR | OCE | REMARKS |
|----------|--------------|---------------------|-----|-----|---------|
| 1        | 2EK-85111-00 | REFLECTOR, FRONT 1  | 2   |     |         |
| 2        | 92907-05200  | WASHER              | 2   |     |         |
| 3        | 90183-05024  | NUT, SPRING         | 2   |     |         |
| 4        | 449-85131-02 | REFLECTOR, REAR 1   | 2   |     |         |
| 5        | 92907-05200  | WASHER              | 2   |     |         |
| 6        | 95307-05600  | NUT                 | 2   |     |         |
| 7        | 3Y6-85130-02 | REAR REFLECTOR ASSY | 1   |     |         |
| 8        | 92907-05200  | WASHER              | 1   |     |         |
| 9        | 95307-05600  | NUT                 | 1   |     |         |



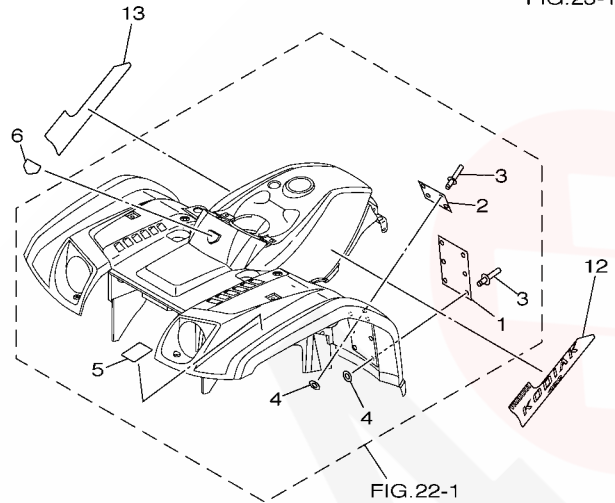
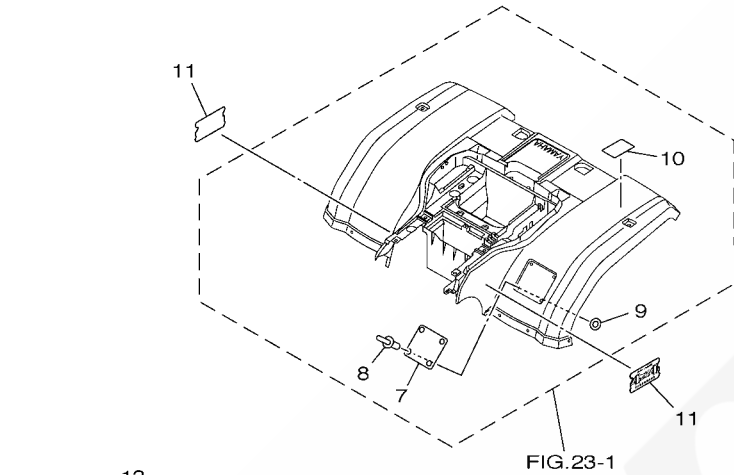


5TE8300-C480

FIG. 48 EMBLEM & LABEL 1

| REF. NO. | PART NO.     | DESCRIPTION         | EUR | OCÉ | REMARKS          |
|----------|--------------|---------------------|-----|-----|------------------|
| 1        | 4XE-F1568-50 | LABEL, WARNING      | 1   |     | (YMUS)           |
| 2        | 4XE-F415A-20 | LABEL, CAUTION      | 1   |     | (YMUS)           |
| 3        | 4XE-F1539-10 | RIVET               | 10  |     | (YMUS)           |
| 4        | 4XE-F1549-00 | WASHER, FENDER MOLD | 10  |     | (YMUS)           |
| 5        | 5ND-F4877-20 | LABEL, CAUTION      | 1   |     | (YMUS)           |
| 6        | 5TE-F155A-00 | MARK, CE            | 1   |     | (YMUS)           |
| 7        | 5FU-F6232-00 | EMBLEM 3D           | 1   |     | (YMUS)           |
| 8        | 5ND-F1696-00 | LABEL, CAUTION      | 1   |     | (YMUS)           |
| 9        | 4XE-F1539-10 | RIVET               | 4   |     | (YMUS)           |
| 10       | 4XE-F1549-00 | WASHER, FENDER MOLD | 4   |     | (YMUS)           |
| 11       | 5ND-F4897-20 | EMBLEM              | 1   |     | (YMUS)           |
| 12       | 5TE-F163G-00 | EMBLEM 1            | 2   |     | (YMUS)           |
| 13       | 5TE-F1781-40 | EMBLEM 1            | 1   |     | FOR RTR (YMUS)   |
|          | 5TE-F1781-50 | EMBLEM 1            | 1   |     | FOR PDG (YMUS)   |
|          | 5TE-F1781-80 | EMBLEM 1            | 1   |     | FOR DPBSE (YMUS) |
| 14       | 5TE-F1782-40 | EMBLEM 2            | 1   |     | FOR RTR (YMUS)   |
|          | 5TE-F1782-50 | EMBLEM 2            | 1   |     | FOR PDG (YMUS)   |
|          | 5TE-F1782-80 | EMBLEM 2            | 1   |     | FOR DPBSE (YMUS) |





5TE8300-C490

FIG. 49 EMBLEM & LABEL 2

| REF. NO. | PART NO.     | DESCRIPTION         | EUR | QTY | REMARKS        |
|----------|--------------|---------------------|-----|-----|----------------|
| 1        | 4XE-F1568-10 | LABEL, WARNING      |     | 1   | (YMUS)         |
| 2        | 4XE-F415A-00 | LABEL, CAUTION      |     | 1   | ENGLISH (YMUS) |
| 3        | 4XE-F1539-10 | RIVET               |     | 10  | (YMUS)         |
| 4        | 4XE-F1549-00 | WASHER, FENDER MOLD |     | 10  | (YMUS)         |
| 5        | 5ND-F4877-20 | LABEL, CAUTION      |     | 1   | (YMUS)         |
| 6        | 5FU-F6232-00 | EMBLEM 3D           |     | 1   | (YMUS)         |
| 7        | 5FU-F1696-00 | LABEL, CAUTION      |     | 1   | ENGLISH (YMUS) |
| 8        | 4XE-F1539-10 | RIVET               |     | 4   | (YMUS)         |
| 9        | 4XE-F1549-00 | WASHER, FENDER MOLD |     | 4   | (YMUS)         |
| 10       | 5ND-F4897-20 | EMBLEM              |     | 1   | (YMUS)         |
| 11       | 5TE-F163G-00 | EMBLEM 1            |     | 2   | (YMUS)         |
| 12       | 5TE-F1781-80 | EMBLEM 1            |     | 1   | (YMUS)         |
| 13       | 5TE-F1782-80 | EMBLEM 2            |     | 1   | (YMUS)         |

NUMERICAL INDEX

| PART NO.     | GRID NO. | PART NO.     | GRID NO. | PART NO.     | GRID NO. | PART NO.     | GRID NO. | PART NO.     | GRID NO. | PART NO.     | GRID NO. |
|--------------|----------|--------------|----------|--------------|----------|--------------|----------|--------------|----------|--------------|----------|
| 5GH-11110-00 | B - 2    | 5GH-12420-01 | B - 8    | 5ND-1490H-00 | B - 13   | 21V-15779-00 | C - 5    | 4WV-17831-00 | F - 3    | 4L0-25854-00 | E - 11   |
| 5GH-1111F-00 | B - 2    | 5GH-12421-01 | B - 8    | 5ND-1490J-00 | B - 12   | 5GH-16611-00 | C - 7    | 4WV-17841-00 | F - 3    | 2GU-25866-00 | E - 11   |
| 3Y1-11133-11 | B - 2    | 5GH-12422-00 | B - 8    | 5GH-14918-00 | B - 13   | 5GH-16620-00 | C - 7    | 5TE-18115-00 | C - 13   | 5GH-25867-00 | E - 11   |
| 4KB-11145-00 | B - 7    | 5GH-12428-00 | B - 8    | 5GH-14918-10 | B - 12   | 5GH-16626-00 | C - 7    | 5TE-18128-00 | C - 13   | 1FK-2589F-00 | E - 11   |
| 4WU-11160-00 | B - 2    | 11H-12438-10 | B - 8    | 5DM-14933-00 | B - 12   | 5GH-16664-00 | C - 7    | 5GH-18131-00 | C - 13   | 3GD-25933-00 | E - 5    |
| 4KB-11165-00 | B - 2    | 5GH-12446-00 | B - 9    | 4XE-14937-00 | B - 13   | 5TE-17158-00 | C - 9    | 5TE-18174-00 | C - 13   | 1NV-26129-00 | E - 9    |
| 371-11167-01 | B - 2    | 5CG-12450-00 | B - 8    | 5GH-14937-00 | B - 13   | 5GH-17223-00 | C - 9    | 5TE-18191-00 | C - 13   | 4WV-26250-10 | E - 9    |
| 5GH-11181-00 | B - 2    | 5GH-12481-00 | B - 9    | 5GH-14940-10 | B - 12   | 5GT-17285-00 | C - 9    | 4SH-18198-00 | C - 13   | 1NV-26259-01 | E - 9    |
| 2NL-11186-00 | B - 2    | 5GH-12484-00 | B - 9    | 256-14956-01 | B - 13   | 5TE-17402-00 | C - 9    | 5TE-18300-10 | C - 13   | 1NV-2625G-01 | E - 9    |
| 214-11198-01 | B - 15   | 4KB-13161-01 | B - 10   | 3H1-14962-00 | B - 12   | 5GH-17453-10 | C - 9    | 5GH-18318-00 | D - 9    | 1NV-2625K-00 | E - 9    |
|              | D - 6    | 3Y1-13310-01 | B - 10   | 5DM-14985-00 | B - 13   | 5GH-17521-00 | C - 10   | 5GH-18319-00 | D - 9    | 4KB-2628F-10 | E - 9    |
|              | D - 10   | 5GH-13314-00 | B - 10   | 5TE-15100-00 | B - 15   | 5GT-17523-00 | C - 9    | 5GH-18511-00 | C - 12   | 4KB-2628G-00 | E - 9    |
| 5GH-11310-00 | B - 4    | 1UY-13316-00 | B - 10   | 5GH-15113-00 | C - 3    | 4VR-17527-00 | C - 11   | 5GH-18514-01 | D - 9    | 1NV-26304-00 | E - 9    |
| 5GH-11351-00 | B - 4    | 5GH-13324-00 | B - 10   | 5GH-15163-00 | B - 15   | 5GH-17531-00 | C - 10   | 4KB-18531-01 | C - 12   | 5GH-26311-01 | E - 9    |
| 5GH-11400-10 | B - 5    | 5GH-13325-00 | B - 10   | 5GH-15317-00 | C - 3    | 52G-17531-01 | C - 10   | 5TE-18541-00 | C - 12   | 5EB-26332-00 | E - 11   |
| 5GH-11447-00 | B - 5    | 3GD-13329-00 | B - 10   | 5GH-15333-00 | C - 2    | 5GH-17531-10 | C - 10   | 5GH-18617-00 | C - 13   | 5TE-26341-00 | E - 9    |
| 5ND-11500-00 | B - 5    | 1UY-13336-00 | B - 10   | 5GH-15338-00 | C - 2    | 52G-17531-11 | C - 10   | 1AA-21815-00 | D - 4    | 20E-26343-00 | E - 9    |
| 5GH-11603-00 | B - 5    | 51Y-13411-00 | B - 10   | 4HC-15351-00 | B - 10   | 5GH-17531-20 | C - 10   | 1AA-21874-00 | D - 4    |              | E - 12   |
| 5GH-11605-00 | B - 5    | 2XK-13416-00 | B - 10   | 5KM-15351-00 | C - 3    | 52G-17531-21 | C - 10   | 1W1-22128-00 | D - 11   | 5TE-26361-00 | E - 12   |
| 5GH-11607-00 | B - 5    | 5GH-13440-00 | B - 10   | 5GH-15362-00 | B - 15   | 5GH-17531-30 | C - 10   | 2HR-23526-00 | D - 12   | 5GH-2637F-00 | E - 12   |
| 5GH-11631-00 | B - 5    | 5GH-13586-00 | B - 11   | 2N4-15371-00 | D - 6    | 52G-17531-31 | C - 10   | 1UY-23812-00 | D - 13   | 1NV-26398-00 | E - 9    |
| 3LD-11633-00 | B - 5    | 5GH-14103-01 | B - 13   | 5GH-15379-00 | C - 3    | 5GH-17531-40 | C - 10   | 8K1-23814-00 | D - 13   | 109-27114-00 | D - 5    |
| 5GH-11636-00 | B - 5    | 5GH-14105-10 | B - 12   | 4WV-15381-00 | C - 2    | 52G-17531-41 | C - 10   | 2GU-23872-00 | C - 14   | 1NV-2811A-01 | C - 15   |
| 5GH-11638-00 | B - 5    | 4SV-14107-20 | B - 12   | 2K7-15383-00 | B - 15   | 5GH-17531-50 | C - 11   | 5GH-24260-00 | D - 14   | 5GH-28349-00 | D - 2    |
| 5GH-11651-01 | B - 5    | 5GH-1410A-00 | B - 12   | 11H-15383-02 | C - 10   | 52G-17531-51 | C - 10   | 4SH-24261-00 | D - 14   | 3HN-46108-01 | D - 8    |
| 5GH-11681-00 | B - 5    | 5DM-14112-00 | B - 12   | 5GH-15388-00 | B - 15   | 5GH-17531-60 | C - 11   | 5GH-24500-00 | D - 14   | 4WV-46119-01 | D - 9    |
| 5GH-12111-00 | B - 6    | 5DM-14141-40 | B - 12   | 5GH-15411-00 | C - 3    | 5GH-17551-00 | C - 10   | 4X8-24512-00 | D - 14   | 4WV-46119-11 | D - 9    |
| 22U-12113-00 | B - 6    | 4KM-14142-17 | B - 13   | 5GH-15414-00 | B - 15   | 5GH-17556-01 | C - 10   | 3AJ-24523-00 | D - 14   | 4WV-46119-21 | D - 9    |
| 1UY-12114-01 | B - 6    | 3H1-14147-00 | B - 12   | 5ND-15431-00 | C - 3    | 5GH-17582-00 | C - 9    | 5GH-24524-00 | D - 14   | 4WV-46119-31 | D - 9    |
| 3Y1-12116-00 | B - 6    | 522-14161-00 | B - 12   | 5GH-15442-00 | C - 2    | 5GH-17583-00 | C - 9    | 3AJ-24534-00 | D - 14   | 4WV-46119-41 | D - 9    |
| 3Y1-12117-01 | B - 6    | 127-14186-00 | B - 12   | 5GH-15451-00 | C - 3    | 5GH-17585-00 | C - 11   | 5KM-24610-00 | D - 14   | 4WV-46119-51 | D - 9    |
| 1J7-12118-00 | B - 6    | 3FV-14191-00 | B - 12   | 5GH-15454-00 | B - 15   | 5GH-17611-00 | C - 7    | 5GH-2510G-00 | E - 2    | 5GH-46123-00 | D - 10   |
| 5GH-12121-00 | B - 6    | 24W-14193-00 | B - 11   | 5GH-15463-00 | B - 15   | 5GH-1761A-00 | C - 11   | 3HN-2510H-00 | E - 2    | 29U-46125-00 | D - 6    |
| M01-12129-00 | B - 6    | 4KB-14193-20 | B - 12   | 5GH-15512-00 | C - 6    | 5GH-17620-00 | C - 7    | 5GH-2510J-00 | E - 2    | 5GH-46126-01 | D - 10   |
| 3GD-12151-00 | B - 6    | 5GH-14197-00 | B - 13   | 5GH-15517-10 | C - 6    | 5GH-17623-00 | C - 7    | 3HN-2511G-01 | E - 2    | 4WV-46132-00 | D - 9    |
| 3Y1-12156-00 | B - 6    | 3DM-14216-00 | B - 13   | 4KB-15522-01 | C - 6    | 5GH-17632-00 | C - 7    | 3HN-2511H-00 | E - 2    | 5GH-46136-00 | D - 10   |
| 31G-12158-00 | B - 6    | 4KM-14216-00 | B - 12   | 1UY-15590-01 | C - 6    | 5GH-17639-00 | C - 7    | 5GT-2512A-00 | E - 2    | 5KM-46137-00 | D - 10   |
| 31G-12159-02 | B - 6    | 3G2-14231-15 | B - 12   | 5GH-15710-30 | C - 5    | 5GH-17641-00 | C - 7    |              | E - 7    | 5GH-46141-01 | D - 9    |
| 5GH-12171-00 | B - 7    | 1HX-14231-16 | B - 12   | 21V-15713-00 | C - 5    | 4WV-17644-00 | C - 8    | 3HN-2512G-01 | E - 2    | 4WV-46143-00 | D - 9    |
| 5GH-12176-10 | B - 7    | 3G2-1423A-77 | B - 12   | 24W-15714-00 | C - 5    | 4WV-17653-00 | C - 7    | 4KB-2512H-00 | E - 2    | 4WV-46155-00 | D - 9    |
| 31G-12210-01 | B - 7    | 5GH-14261-00 | B - 12   | 21V-15715-01 | C - 5    | 4WV-17654-01 | C - 7    | 2HR-2512J-00 | E - 2    | 4WV-46159-00 | D - 9    |
| 3GD-12213-00 | B - 7    | 31A-14419-00 | B - 11   | 21V-15716-01 | C - 5    | 5GH-17660-00 | C - 7    | 4SH-25367-01 | E - 6    | 5GH-46160-04 | D - 9    |
| 31G-12214-00 | B - 7    | 5BF-1443E-00 | C - 3    | 1UY-15719-00 | C - 3    | 4CW-17664-00 | C - 8    | 3GD-2580T-00 | E - 5    | 5GH-46161-01 | D - 9    |
| 31G-12222-00 | B - 7    |              | D - 3    | 1UY-15723-00 | C - 5    | 5GH-17670-00 | C - 7    | 3GD-2580U-00 | E - 5    | 5GH-46162-01 | D - 9    |
| 5GH-12231-10 | B - 7    | 583-14561-00 | B - 12   | 21V-15741-00 | C - 5    | 5TE-17681-00 | C - 9    | 3GD-25827-00 | E - 5    | 4WV-46165-00 | D - 9    |
| 5GH-12241-00 | B - 7    | 5DM-14561-00 | B - 12   | 21V-15751-00 | C - 5    | 4WV-17684-00 | C - 8    | 3GD-25828-00 | E - 5    | 4WV-46167-00 | D - 9    |
| 2TV-12411-00 | B - 9    | 1FN-14565-00 | B - 13   | 3X3-15755-00 | C - 5    | 4WV-17811-00 | F - 3    | 5KM-2583T-01 | E - 11   | 5GH-4616A-02 | D - 9    |
| 5GH-12413-00 | B - 9    | 3GD-14613-00 | B - 14   | 21V-15767-00 | C - 5    | 59V-17811-00 | F - 3    | 5JX-25852-01 | E - 11   | 2HR-46187-00 | D - 8    |

NUMERICAL INDEX

| PART NO.     | GRID NO. | PART NO.     | GRID NO. | PART NO.     | GRID NO. | PART NO.     | GRID NO. | PART NO.     | GRID NO. | PART NO.     | GRID NO. |
|--------------|----------|--------------|----------|--------------|----------|--------------|----------|--------------|----------|--------------|----------|
| 4WV-46441-00 | D - 9    | 5TE-83530-00 | F - 8    | 5UH-E4462-00 | B - 11   | 4XE-F1549-00 | F - 12   | 5ND-F3502-10 | E - 3    | 5VH-F5355-00 | E - 6    |
| 5GH-46470-03 | D - 9    | 5GH-83530-10 | F - 8    | 5UH-E4468-00 | B - 11   |              | F - 13   | 5ND-F3540-10 | D - 12   | 5VH-F5359-00 | E - 7    |
| 5ND-81410-00 | E - 15   | 3GH-83578-00 | F - 3    | 5ND-E4611-00 | B - 14   | 5TE-F155A-00 | F - 12   | 5FU-F3549-00 | D - 12   | 5FU-F5377-00 | E - 7    |
| 5GH-81450-00 | E - 15   | 5FU-83790-00 | F - 7    | 5ND-E4628-00 | B - 14   | 4XE-F1568-10 | F - 13   |              | E - 2    | 5FU-F5377-10 | E - 7    |
| 3AJ-81801-00 | F - 2    | 1UY-83909-00 | F - 6    | 5ND-E4711-00 | B - 14   | 4XE-F1568-50 | F - 12   | 5ND-F3550-10 | D - 12   | 5FU-F537Y-00 | E - 7    |
| 5ND-81815-00 | F - 2    | 2HT-83912-00 | F - 6    | 5ND-E4714-00 | B - 14   | 5ND-F1575-00 | D - 2    | 5ND-F357A-00 | D - 12   | 5TE-F5381-00 | E - 7    |
| 3AJ-81826-00 | F - 2    | 5KM-83922-00 | E - 11   | 5ND-E4715-00 | B - 14   | 5ND-F1585-01 | C - 15   | 5ND-F358A-00 | D - 12   | 5ND-F5383-00 | E - 6    |
| 4XV-8182A-00 | F - 2    | 5GH-83941-00 | F - 6    | 5ND-E4718-00 | B - 14   | 5ND-F1600-30 | D - 3    | 5ND-F3813-10 | D - 13   | 5ND-F5383-10 | E - 6    |
| 11H-81844-00 | F - 2    | 3L4-83943-00 | F - 6    | 5ND-E4719-00 | B - 14   | 5ND-F1600-50 | D - 3    | 5ND-F3816-10 | D - 13   | 5FU-F5384-00 | E - 7    |
| 1FK-81847-00 | F - 2    | 1YW-83965-00 | F - 6    | 5ND-E4728-00 | B - 14   | 5ND-F1600-60 | D - 3    | 5ND-F3831-00 | D - 13   | 5ND-F5390-11 | E - 6    |
| 5KM-81890-00 | F - 2    | 5LP-83973-01 | F - 6    | 5ND-E4737-00 | B - 14   | 5ND-F1600-70 | D - 3    | 4XE-F3833-00 | D - 13   | 5VH-F539F-00 | E - 7    |
| 4SV-81940-00 | F - 8    | 4GB-83976-00 | F - 6    | 5ND-E4752-00 | B - 14   | 5ND-F163A-00 | D - 3    | 4XE-F3834-00 | D - 13   | 5VH-F5818-00 | E - 7    |
| 5GT-81960-00 | F - 7    | 4WV-83976-00 | E - 9    | 5ND-E4759-00 | B - 14   | 5ND-F163E-00 | D - 3    | 5FU-F3841-00 | D - 13   | 5ND-F582T-00 | E - 5    |
| 3WP-81980-00 | F - 8    | 5LP-83980-00 | E - 11   | 5UH-E4769-00 | B - 11   | 5ND-F163F-00 | D - 3    | 5FU-F3845-00 | D - 13   | 5VH-F5833-00 | E - 6    |
| 5FU-82103-00 | F - 7    | 3FA-83980-02 | F - 6    | 5ND-E4777-00 | B - 14   | 5TE-F163G-00 | F - 12   | 5ND-F3868-00 | D - 13   | 5ND-F5871-00 | E - 11   |
| 371-82121-00 | F - 7    | 2GU-84332-00 | F - 4    | 5ND-E477K-00 | B - 14   |              | F - 13   | 4XE-F3894-00 | D - 13   | 5ND-F5872-00 | E - 11   |
| 1AE-82151-00 | F - 8    | 2GU-84334-00 | F - 4    | 5ND-E4788-00 | B - 14   | 5ND-F1652-00 | D - 3    | 5ND-F4110-00 | D - 14   | 5ND-F5873-00 | E - 11   |
| 5JJ-82151-10 | F - 8    | 5GH-84703-00 | F - 4    | 5ND-E5336-00 | C - 3    | 5FU-F1696-00 | F - 13   | 5ND-F414H-10 | D - 14   | 5ND-F5875-00 | E - 11   |
| 5JJ-82151-30 | F - 8    | 5KM-84710-00 | F - 5    |              | C - 14   | 5ND-F1696-00 | F - 12   | 4XE-F415A-00 | F - 13   | 5VH-F5898-00 | E - 6    |
| 5JJ-82151-50 | F - 8    | 1A2-84714-41 | F - 5    | 5ND-E5413-00 | C - 4    | 5ND-F1711-00 | D - 4    | 4XE-F415A-20 | F - 12   | 5FU-F6111-10 | E - 9    |
| 5ND-82180-00 | F - 8    | 5KM-8472C-10 | F - 5    | 5ND-E5423-00 | C - 4    | 5ND-F171A-00 | D - 4    | 5ND-F4311-00 | D - 14   | 5ND-F6124-00 | E - 9    |
| 5GH-82309-10 | F - 8    | 2EK-85111-00 | F - 11   | 5ND-E5434-00 | C - 3    | 5ND-F171A-10 | D - 4    | 5ND-F470F-01 | D - 15   | 5FU-F6232-00 | F - 12   |
| 3KJ-82310-10 | F - 7    | 3Y6-85130-02 | F - 11   | 5ND-E5471-00 | C - 3    | 5ND-F171A-30 | D - 4    | 5ND-F470F-21 | D - 15   |              | F - 13   |
| 1UY-82370-20 | F - 7    | 449-85131-02 | F - 11   | 5ND-E5472-00 | C - 3    | 5ND-F1721-00 | D - 4    | 5ND-F4710-01 | D - 15   | 5FU-F6241-10 | E - 9    |
| 5TE-82509-00 | F - 7    | 5TE-85540-00 | F - 7    | 5ND-E5473-00 | C - 3    | 5ND-F174A-00 | D - 4    | 5ND-F4710-21 | D - 15   | 5VH-F6331-00 | E - 9    |
| 5GH-82509-30 | F - 8    | 5ND-E1166-00 | B - 2    | 5ND-E5474-00 | C - 3    | 5ND-F174M-00 | D - 4    | 4XE-F4747-00 | D - 15   | 5TE-F7211-00 | E - 12   |
| 5ND-82510-00 | F - 8    | 5ND-E2405-00 | B - 9    | 4XE-E7537-15 | D - 6    | 5ND-F174T-00 | D - 4    | 5ND-F4776-00 | D - 15   | 5TE-F7412-10 | E - 12   |
| 4KB-82530-01 | F - 8    | 5ND-E240A-00 | B - 9    | 4XE-E7537-30 | D - 6    | 5FU-F175B-01 | D - 2    | 4XE-F478V-00 | D - 15   | 5UH-F741A-00 | E - 12   |
| 3GB-82540-01 | F - 7    | 5ND-E2462-00 | B - 9    | 4XE-E7537-40 | D - 6    | 5TE-F1781-40 | F - 12   | 5TE-F4841-00 | E - 14   | 5ND-F7445-00 | E - 12   |
| 3GD-82540-11 | D - 9    | 5ND-E2482-00 | B - 9    | 4XE-E7537-45 | D - 7    | 5TE-F1781-50 | F - 12   | 5ND-F4842-00 | E - 14   | 5ND-F7453-00 | E - 12   |
| 5TE-82541-00 | F - 8    | 5ND-E2483-00 | B - 9    | 4XE-E7537-50 | D - 7    | 5TE-F1781-80 | F - 12   | 5ND-F4842-10 | E - 14   | 5ND-F7463-00 | E - 12   |
| 4BA-82560-00 | F - 7    | 5ND-E2535-00 | B - 9    | 4XE-E7537-60 | D - 7    |              | F - 13   | 5ND-F4877-20 | F - 12   | 5ND-F7471-01 | E - 12   |
| 5ND-82560-00 | F - 8    | 5ND-E2675-00 | B - 9    | 5TE-F1110-01 | C - 14   | 5TE-F1782-40 | F - 12   |              | F - 13   | 5TE-F7491-00 | E - 12   |
| 5ND-82560-10 | F - 7    | 5TE-E4101-00 | B - 12   | 5ND-F1315-00 | C - 14   | 5TE-F1782-50 | F - 12   | 5ND-F4897-20 | F - 12   | 5ND-F8100-00 | C - 15   |
| 5FU-82560-20 | F - 7    | 5FU-E4147-00 | B - 12   | 5ND-F1316-00 | C - 14   | 5TE-F1782-80 | F - 12   |              | F - 13   | 5ND-F8309-00 | D - 2    |
| 3HN-82569-00 | F - 8    | 5FU-E4155-00 | B - 13   | 4XE-F1399-00 | E - 14   |              | F - 13   | 5TE-F510F-00 | E - 2    | 5ND-F8309-10 | D - 2    |
| 3HN-82579-00 | F - 8    | 5ND-E4191-00 | C - 13   | 5ND-F1446-00 | C - 15   | 5ND-F1871-00 | D - 4    | 5ND-F5111-11 | E - 2    | 5TE-F837L-01 | D - 2    |
| 5TE-82590-10 | F - 8    | 5UH-E4191-00 | B - 11   | 5ND-F147A-01 | C - 15   | 5ND-F2110-10 | D - 5    | 5ND-F5111-20 | E - 2    | 5TE-F842A-00 | E - 14   |
| 1YW-82911-02 | F - 6    | 5ND-E4349-00 | B - 11   | 5ND-F1486-00 | C - 14   | 5ND-F2123-00 | D - 5    | 5ND-F514A-00 | E - 4    | 5ND-F845N-00 | E - 14   |
| 2XJ-82913-00 | F - 6    | 5UH-E4411-00 | B - 11   | 5ND-F1488-00 | C - 14   | 5ND-F2189-00 | D - 5    | 5ND-F5180-11 | E - 2    | 5ND-F8488-00 | D - 5    |
| 4V4-82913-00 | E - 9    | 5UH-E4412-00 | B - 11   | 5ND-F1500-50 | D - 2    | 4XE-F219X-00 | D - 5    | 5FU-F5319-00 | E - 7    | 5ND-F8488-10 | D - 5    |
| 4WV-83371-00 | F - 10   | 5UH-E4424-00 | B - 11   | 5ND-F1500-60 | D - 2    | 5ND-F2210-00 | D - 11   | 5FU-F531E-10 | E - 7    | 5ND-G6101-01 | D - 6    |
| 5GH-83500-00 | F - 3    | 5ND-E442F-00 | B - 11   | 5ND-F1500-70 | D - 2    | 5ND-F2825-00 | C - 15   | 5VH-F5321-00 | E - 6    | 4XE-G6102-00 | D - 6    |
| 5GH-83500-10 | F - 3    | 5ND-E4437-00 | B - 11   | 5ND-F1500-80 | D - 2    | 5ND-F3123-00 | D - 12   | 5FU-F5327-00 | E - 7    | 4XE-G6117-25 | D - 7    |
| 5GH-83516-00 | F - 8    | 5UH-E4438-00 | B - 11   | 5ND-F1513-00 | C - 14   | 5ND-F3192-00 | E - 11   | 5VH-F5333-00 | E - 6    | 4XE-G6117-30 | D - 7    |
| 5GH-83517-00 | F - 3    | 5UH-E4451-00 | B - 11   | 5ND-F151K-00 | D - 5    | 5ND-F3350-00 | D - 12   | 5FU-F5336-00 | E - 7    | 4XE-G6117-35 | D - 7    |
| 5GH-83520-00 | F - 3    | 5ND-E4453-00 | B - 11   | 4XE-F1539-10 | F - 12   | 5ND-F3391-01 | D - 2    | 5VH-F533A-00 | E - 6    | 4XE-G6117-40 | D - 7    |
| 3GH-83523-00 | F - 3    | 5UH-E4458-00 | B - 11   |              | F - 13   | 5ND-F3501-10 | E - 2    | 5VH-F5351-00 | E - 6    | 4XE-G6117-45 | D - 7    |

NUMERICAL INDEX

| PART NO.     | GRID NO. | PART NO.     | GRID NO. | PART NO.    | GRID NO. | PART NO.    | GRID NO. | PART NO.    | GRID NO. | PART NO.    | GRID NO. |
|--------------|----------|--------------|----------|-------------|----------|-------------|----------|-------------|----------|-------------|----------|
| 4XE-G6117-50 | D - 7    | 1UY-W0048-50 | E - 5    | 90149-08152 | C - 10   | 90201-106E0 | B - 14   | 90387-067V1 | D - 2    | 90467-06194 | B - 8    |
| 4XE-G6118-10 | D - 7    | 3GD-W0057-00 | E - 5    | 90149-08268 | E - 5    | 90201-108P8 | D - 8    | 90387-07598 | D - 14   | 90467-07029 | D - 8    |
| 4XE-G6118-11 | D - 7    | 5GH-W1141-00 | B - 5    | 90150-05802 | F - 4    | 90201-114P2 | B - 10   | 90387-090R0 | D - 13   |             | D - 10   |
| 4XE-G6118-12 | D - 7    | 5GH-W1142-00 | B - 5    | 90151-05023 | C - 3    | 90201-12163 | F - 3    | 90387-10636 | B - 14   | 90467-07093 | E - 8    |
| 4XE-G6118-13 | D - 7    | 5VH-WF536-00 | E - 6    | 90151-06014 | B - 15   | 90201-123K4 | C - 6    | 90387-16547 | B - 4    | 90467-08003 | D - 4    |
| 4XE-G6118-14 | D - 7    | 4WV-Y1754-00 | C - 10   | 90153-06029 | B - 4    | 90201-127J6 | D - 11   | 90387-1914K | C - 7    | 90467-10008 | D - 14   |
| 4XE-G6118-15 | D - 7    | 5GT-Y4612-10 | D - 6    | 90157-04088 | C - 7    | 90201-132G5 | C - 13   | 90387-252R2 | C - 11   | 90467-14015 | B - 2    |
| 4XE-G6118-16 | D - 7    | 90101-10303  | B - 7    | 90159-05022 | F - 4    | 90201-14226 | D - 13   | 90387-255H9 | D - 6    | 90467-15012 | C - 13   |
| 4XE-G6118-17 | D - 7    | 90101-10568  | B - 5    | 90170-08358 | C - 13   | 90201-144J2 | E - 12   | 90387-26001 | C - 9    | 90467-16195 | C - 3    |
| 4XE-G6118-18 | D - 7    | 90105-06005  | B - 8    | 90170-14284 | B - 10   | 90201-14633 | C - 10   | 90387-284T0 | E - 7    |             | D - 3    |
| 4XE-G6118-19 | D - 7    | 90105-08892  | E - 7    | 90170-36279 | C - 8    | 90201-168R1 | E - 3    | 90401-06001 | B - 2    | 90467-25800 | B - 9    |
| 4XE-G6118-20 | D - 7    | 90105-088B2  | E - 5    | 90171-12816 | D - 12   |             | E - 7    | 90401-08038 | B - 10   | 90480-01400 | D - 14   |
| 4XE-G6118-21 | D - 7    | 90105-10051  | C - 14   |             | D - 13   | 90201-190T7 | C - 7    | 90401-10159 | E - 11   | 90480-10517 | C - 15   |
| 5ND-G6151-01 | D - 6    | 90105-10055  | C - 14   | 90171-16001 | E - 3    | 90201-20278 | C - 9    | 90401-20145 | B - 10   | 90480-13018 | C - 3    |
| 5ND-G6152-00 | D - 6    | 90105-10421  | B - 2    |             | E - 7    | 90201-250R9 | C - 9    | 90430-06014 | B - 4    | 90480-13398 | C - 4    |
| 5FU-G6156-00 | D - 6    | 90105-10422  | B - 2    | 90179-08148 | F - 6    | 90201-25291 | C - 6    |             | B - 8    | 90480-13567 | D - 4    |
| 5FU-G6157-10 | D - 7    | 90105-10751  | E - 7    | 90179-08410 | B - 14   | 90201-356K1 | B - 5    | 90430-06192 | B - 2    | 90480-15235 | B - 9    |
| 5FU-G6157-15 | D - 7    | 90105-10890  | D - 12   | 90179-10540 | E - 2    | 90202-05193 | D - 14   | 90430-08119 | B - 10   | 90480-18290 | D - 14   |
| 5FU-G6157-20 | D - 7    | 90105-108B1  | D - 12   |             | E - 6    | 90209-06174 | B - 9    | 90430-10003 | D - 10   | 90501-10353 | C - 12   |
| 5FU-G6157-30 | D - 7    | 90105-12660  | D - 5    | 90179-16690 | C - 7    | 90215-06184 | B - 2    | 90430-10148 | F - 7    | 90501-10782 | E - 9    |
| 5FU-G6157-40 | D - 7    | 90105-12889  | D - 11   | 90179-22005 | C - 7    | 90215-14205 | B - 10   | 90430-14042 | C - 12   |             | E - 12   |
| 5FU-G6157-50 | D - 7    | 90105-14367  | C - 12   | 90179-22526 | C - 10   | 90240-08124 | E - 12   | 90430-14240 | B - 2    | 90501-18576 | B - 10   |
| 5ND-G6172-00 | D - 8    | 90109-063F1  | C - 15   | 90179-55660 | C - 11   | 90240-12092 | D - 11   | 90430-18130 | B - 15   | 90501-296L7 | D - 10   |
| 5TE-G6173-00 | D - 10   | 90109-063F5  | E - 12   | 90179-65305 | C - 10   | 90249-12008 | E - 10   | 90445-07807 | E - 7    | 90501-626L9 | C - 8    |
| 4XE-G6513-00 | E - 7    | 90109-06576  | F - 6    | 90183-05008 | F - 4    |             | E - 12   | 90445-07809 | D - 10   | 90501-650L5 | C - 11   |
| 5TE-G6540-10 | D - 5    | 90109-06723  | F - 7    | 90183-05024 | D - 4    | 90267-489U9 | E - 12   | 90445-07810 | D - 8    | 90506-07135 | D - 5    |
| 5FU-H191B-10 | F - 9    | 90110-05201  | D - 4    |             | F - 11   | 90269-05055 | C - 13   | 90445-08811 | D - 4    | 90506-12403 | E - 13   |
| 5FU-H1920-10 | F - 9    | 90110-06005  | F - 3    | 90183-06053 | C - 14   | 90269-06800 | D - 2    | 90445-08812 | D - 4    | 90506-16482 | E - 7    |
| 5FU-H1925-10 | F - 9    | 90110-06007  | D - 2    |             | D - 12   |             | F - 3    | 90445-088C5 | D - 14   | 90508-35012 | C - 13   |
| 5FU-H1942-10 | F - 9    | 90110-06136  | B - 9    | 90185-10844 | D - 12   | 90269-08813 | C - 4    | 90446-06001 | B - 8    | 90560-30325 | E - 2    |
| 5TE-H2100-00 | F - 7    | 90110-06202  | D - 2    | 90185-12072 | D - 11   | 90280-05048 | B - 5    | 90446-16001 | C - 13   | 91317-05012 | E - 15   |
| 5FU-H2100-20 | F - 7    | 90113-08004  | D - 9    | 90185-14070 | C - 10   | 90282-05013 | B - 10   | 90450-32015 | B - 9    | 91317-06012 | B - 9    |
| 5ND-H2115-00 | F - 8    | 90114-10804  | E - 2    |             | D - 13   | 90336-28053 | D - 13   | 90450-47001 | B - 11   | 91317-06020 | B - 2    |
| 5TE-H2115-00 | F - 8    |              | E - 6    | 90201-047R9 | C - 7    | 90338-08226 | F - 7    | 90450-64089 | C - 4    |             | B - 9    |
| 5ND-H2116-00 | F - 8    | 90116-10840  | D - 6    | 90201-05029 | E - 12   | 90338-09801 | D - 3    | 90460-56105 | B - 11   | 91317-06025 | B - 2    |
| 5TE-H2116-00 | F - 8    | 90119-06009  | E - 13   | 90201-05725 | F - 3    | 90340-10001 | B - 11   | 90460-58124 | D - 10   | 91317-06140 | B - 2    |
| 5ND-H2119-00 | F - 7    | 90119-06060  | D - 2    | 90201-06008 | C - 13   | 90340-14029 | B - 15   | 90460-85277 | D - 5    | 91317-08016 | C - 6    |
| 5ND-H2128-00 | F - 7    |              | D - 3    | 90201-06074 | F - 5    |             | D - 6    | 90462-06016 | F - 7    | 91317-08020 | D - 9    |
| 5TE-H2128-00 | F - 7    |              | D - 4    | 90201-060L5 | D - 14   |             | D - 10   | 90464-10833 | F - 9    | 91317-08025 | B - 11   |
| 5FU-H2599-01 | F - 9    | 90119-06079  | D - 4    | 90201-08016 | F - 7    | 90340-14046 | B - 15   | 90464-12830 | F - 9    | 91401-20020 | E - 12   |
| 5TE-H3519-00 | F - 3    |              | E - 14   | 90201-08083 | E - 12   |             | D - 6    | 90464-16006 | F - 9    | 91401-25020 | D - 12   |
| 5VH-H3550-00 | F - 3    | 90119-06227  | B - 11   | 90201-08085 | B - 11   | 90340-14117 | C - 3    | 90464-25800 | F - 9    |             | D - 13   |
| 5FU-H4314-00 | F - 4    |              | D - 3    | 90201-10118 | E - 11   | 90340-18101 | B - 15   | 90464-31827 | F - 9    |             | E - 7    |
| 5FU-H4320-00 | F - 4    | 90119-06831  | D - 14   | 90201-10128 | B - 2    | 90381-08002 | F - 3    | 90464-38800 | F - 9    | 91401-25025 | D - 13   |
| 5FU-H4340-00 | F - 4    | 90123-08046  | F - 6    | 90201-101J1 | C - 14   | 90387-060A7 | B - 9    | 90464-40825 | F - 9    | 91401-30025 | D - 11   |
| 8CR-W0041-00 | E - 11   | 90149-04278  | E - 9    |             | E - 7    | 90387-0613B | C - 13   | 90464-48800 | F - 9    | 91401-30030 | E - 3    |
| 3GD-W0045-00 | E - 5    | 90149-05299  | E - 12   | 90201-10321 | B - 5    | 90387-06681 | C - 15   | 90464-51800 | F - 8    |             | E - 7    |
| 3GD-W0047-00 | E - 5    | 90149-06011  | D - 14   | 90201-10591 | B - 7    | 90387-066J1 | D - 14   | 90465-08336 | C - 13   | 91810-20001 | C - 2    |

NUMERICAL INDEX

| PART NO.    | GRID NO. | PART NO.    | GRID NO. | PART NO.    | GRID NO. | PART NO.    | GRID NO. | PART NO.    | GRID NO. | PART NO. | GRID NO. |
|-------------|----------|-------------|----------|-------------|----------|-------------|----------|-------------|----------|----------|----------|
| 91A20-07010 | B - 11   | 93210-26606 | E - 7    | 93316-00801 | D - 10   | 9502P-06008 | F - 8    | 9582P-06012 | E - 11   |          |          |
| 92902-04100 | B - 13   | 93210-27666 | E - 2    | 93316-01003 | B - 15   | 95307-05600 | F - 11   | 97007-06012 | B - 2    |          |          |
| 92907-04600 | B - 13   | 93210-32172 | F - 3    | 93316-013Y0 | D - 6    | 95307-05700 | E - 9    | 97007-06020 | F - 7    |          |          |
| 92907-05100 | F - 6    | 93210-33133 | B - 8    | 93317-855Y9 | D - 6    | 95307-08700 | C - 13   | 97017-06014 | C - 5    |          |          |
| 92907-05200 | F - 11   | 93210-33786 | B - 9    | 93399-99926 | D - 8    | 95317-06700 | E - 12   | 97017-06016 | C - 2    |          |          |
| 92907-05600 | E - 9    | 93210-35520 | B - 10   | 93410-20038 | C - 9    | 95606-06100 | E - 11   | 97017-06020 | E - 12   |          |          |
| 92907-06100 | F - 6    | 93210-44545 | B - 11   | 93410-22039 | D - 8    | 95607-05100 | E - 9    | 97027-06016 | B - 7    |          |          |
| 92907-06600 | B - 7    |             | C - 7    | 93410-32826 | D - 12   | 95607-06100 | F - 6    | 97027-08030 | C - 11   |          |          |
|             | C - 2    | 93210-50768 | D - 9    |             | E - 2    | 95607-10200 | C - 14   | 9702P-08025 | D - 6    |          |          |
|             | C - 5    | 93210-57634 | B - 2    | 93410-46079 | C - 7    | 95607-12200 | D - 5    | 9702P-08060 | D - 13   |          |          |
|             | E - 15   | 93210-59531 | D - 6    | 93430-10015 | E - 12   | 9560L-06200 | E - 6    | 97607-04210 | E - 9    |          |          |
|             | F - 7    | 93210-64297 | C - 15   | 93440-12052 | B - 2    | 95617-08620 | B - 2    | 97707-60016 | F - 8    |          |          |
| 92907-08600 | C - 11   | 93210-76800 | D - 8    | 93440-14155 | C - 9    | 95702-06500 | C - 5    | 97707-60420 | F - 7    |          |          |
| 9290P-08600 | D - 6    | 93210-78544 | C - 10   | 93440-20088 | D - 8    | 95707-05300 | E - 12   | 98501-04014 | B - 13   |          |          |
| 93101-10090 | B - 8    | 93210-89447 | B - 4    | 93440-25084 | C - 9    | 95707-05500 | F - 3    | 98507-03014 | D - 14   |          |          |
| 93101-12168 | C - 2    | 93211-06635 | B - 2    | 93450-22027 | B - 5    | 95707-06300 | F - 5    | 98507-03540 | F - 4    |          |          |
| 93101-31167 | C - 7    | 93211-40040 | D - 9    | 93450-22119 | E - 2    | 95707-10500 | D - 5    | 98507-04008 | B - 13   |          |          |
| 93101-35097 | C - 10   | 93211-51749 | D - 6    | 93450-24062 | C - 7    |             | D - 8    | 98507-04014 | B - 12   |          |          |
|             | E - 6    | 93211-52001 | C - 7    | 93450-44141 | D - 10   | 95807-06012 | D - 12   | 98507-05020 | E - 9    |          |          |
| 93101-38098 | D - 6    | 93306-00006 | B - 8    | 93450-71142 | D - 10   | 95807-06014 | C - 4    | 98507-05030 | F - 6    |          |          |
| 93101-52116 | D - 6    | 93306-00208 | C - 12   | 93503-08007 | C - 12   | 95807-06020 | B - 9    | 98507-06016 | F - 3    |          |          |
| 93102-08307 | F - 3    | 93306-00415 | C - 9    | 93603-07073 | B - 10   |             | F - 7    | 98507-06020 | F - 6    |          |          |
| 93102-15212 | C - 12   | 93306-00438 | B - 7    | 93603-12030 | B - 10   | 95807-08012 | D - 5    | 98507-06030 | E - 15   |          |          |
| 93102-24034 | D - 10   | 93306-00515 | B - 7    | 93603-14240 | C - 9    | 95807-08020 | C - 13   |             | F - 3    |          |          |
| 93102-25081 | C - 14   | 93306-00612 | C - 11   | 93604-10011 | B - 7    | 95817-06010 | C - 15   | 9850L-04006 | B - 12   |          |          |
| 93102-25099 | C - 14   | 93306-006Y2 | E - 2    | 93900-00813 | E - 2    | 95817-06012 | C - 15   | 98517-05012 | F - 6    |          |          |
| 93102-28476 | C - 3    | 93306-008Y0 | E - 6    |             | E - 6    |             | F - 10   | 98580-04010 | B - 12   |          |          |
| 93102-30170 | C - 11   | 93306-07801 | C - 3    | 94108-12802 | E - 2    | 95817-06035 | C - 13   | 98706-04012 | E - 11   |          |          |
| 93102-32483 | B - 15   | 93306-20120 | C - 2    | 94108-12803 | E - 2    | 95817-08030 | C - 10   | 98707-04018 | D - 14   |          |          |
| 93102-35380 | C - 11   | 93306-203YN | C - 14   | 94110-12800 | E - 6    | 95817-10025 | D - 6    | 98707-06020 | B - 10   |          |          |
| 93102-42004 | C - 9    | 93306-20464 | C - 9    | 94110-12801 | E - 6    | 95817-10080 | C - 14   |             | B - 15   |          |          |
| 93102-50030 | D - 10   | 93306-20582 | C - 11   | 94581-96116 | B - 7    | 95817-10110 | C - 14   | 98707-06030 | B - 10   |          |          |
| 93102-65386 | D - 6    | 93306-20601 | C - 9    | 94591-54038 | C - 9    | 9581P-06008 | B - 14   | 99009-10400 | B - 8    |          |          |
| 93104-09025 | E - 9    | 93306-20622 | C - 10   | 94701-00333 | B - 3    | 9581P-06016 | B - 14   | 99009-11400 | B - 10   |          |          |
| 93104-41119 | C - 7    | 93306-20715 | C - 10   | 95027-06012 | B - 2    | 9581P-08012 | C - 14   | 99009-12400 | C - 6    |          |          |
| 93106-38046 | E - 2    | 93306-278Y0 | E - 6    |             | B - 8    |             | E - 12   | 99009-80500 | B - 15   |          |          |
| 93106-38047 | E - 2    | 93306-30201 | C - 9    |             | C - 2    |             | E - 14   | 99530-10014 | B - 15   |          |          |
| 93106-47040 | E - 6    | 93306-30315 | B - 5    | 95027-06014 | C - 4    | 9581P-08030 | D - 13   | 99530-10114 | B - 15   |          |          |
| 93112-31011 | D - 13   | 93306-30438 | B - 5    | 95027-06016 | C - 13   | 9581P-10020 | D - 5    |             | C - 3    |          |          |
| 93210-09165 | B - 6    | 93306-30538 | C - 10   | 95027-06025 | B - 7    | 95827-06012 | B - 15   | 99530-14016 | B - 2    |          |          |
| 93210-14104 | F - 3    | 93306-305Y6 | D - 6    | 95027-06030 | C - 3    |             | E - 11   |             | B - 4    |          |          |
| 93210-14369 | C - 3    | 93306-30629 | B - 5    |             | F - 2    | 95827-06025 | E - 11   |             |          |          |          |
| 93210-16290 | B - 5    | 93310-212R6 | C - 6    | 95027-06035 | C - 4    | 95827-06035 | C - 3    |             |          |          |          |
| 93210-18322 | B - 4    | 93310-32590 | C - 9    | 95027-06040 | B - 15   | 95827-06045 | C - 3    |             |          |          |          |
| 93210-18417 | B - 9    | 93310-420F2 | C - 9    |             | C - 3    | 95827-08020 | C - 15   |             |          |          |          |
| 93210-19522 | B - 15   | 93310-635D4 | B - 5    | 95027-06050 | B - 8    | 95827-10040 | B - 14   |             |          |          |          |
| 93210-24253 | F - 3    | 93311-42077 | C - 9    | 95027-06060 | B - 8    | 9582P-06012 | E - 4    |             |          |          |          |
| 93210-26001 | C - 9    | 93315-21813 | C - 7    | 95027-06065 | B - 15   |             | E - 7    |             |          |          |          |