



# PARTS CATALOGUE

## YFM400FAR (5TE3) EUROPE

## YFM400FAR (5TE4) OCEANIA



1B5TE-100EC

( 2B5TE-100EC )

2013-2-13

NEWS NO.	DATE	COMMENT
PE0-MC-070033	Apr.,05,2007	FIG,3:CRANKSHAFT. PISTON LIST CORRECTION
PE0-MC-120070	Sep.,4,2012	COR:FIG.11 EXHAUST LIST/ILLUST. CORRECTION
PE0-MC-130002	Jan.,25,2013	COR:YFM400(5TE) FUEL TANK ILLUSTR. CORRECTION

# FOREWORD

This Parts Catalogue is related to the parts for the model(s) on the cover page. When you are ordering replacement parts, please refer to this Parts Catalogue and quote both part numbers and part names correctly.

1. Modifications or additions which have been made after the issue of the Parts Catalogue will be announced in the Parts News.

It is advisable that you make the necessary corrections to the Parts Catalogue according to the Parts News.

2. Abbreviations

The following abbreviations are used in this Parts Catalogue.

“UR” Use specified parts number.

“UN” Use as many as needed.

“AP” Alternate Parts

“LM” Locally Made (Parts need to be ordered locally)

“F#” Frame No. (Applicable machine No.)

“O/S” Over Size

3. The number of components for assembly

- Parts, which are to be supplied in an assembly, are listed with a dot (.) in front of the part name as shown below.
- The numeral appearing to the right of each component part indicates the quantity of parts for each assembly unit.

PART NO.	DESCRIPTION	Q'TY	REMARKS
2F5-83310-60	FRONT FLASHER LIGHT ASSY	2	
115-83311-60	.BULB (6V-18W)	1	

4. Applicable colours of graphics are represented in the “REMARKS” as shown below.

PART NO.	DESCRIPTION	Q'TY	REMARKS
2N4-24110-00-X5	FUEL TANK COMP.	2	MXR
3J1-24240-10	.GRAPHIC, FUEL TANK	1	FOR MXR

5. Note that the illustrations for reference in finding parts numbers are not to be used for assembling. When assembling, please use the applicable service manual.

6. The asterisk (\*) before a reference number indicates modified items after the first edition.

7. A part with “YMUS” in the remarks column can be obtained from YMUS (USA) and not from YAMAHA MOTOR CO.,LTD (JAPAN).

PART NO.	DESCRIPTION	Q'TY	REMARKS
EW2-U5160-00	ENGINE HATCH COMP	2	YMUS
90601-168U7	BAND,HOSE	1	YMUS

ADDRESS:

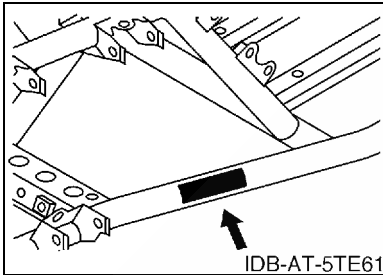
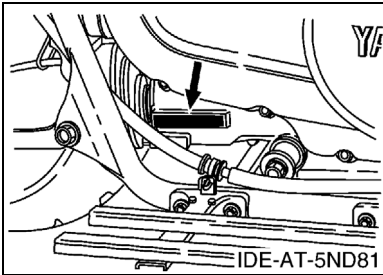
YAMAHA MOTOR CORPORATION U.S.A.  
PARTS & ACCESSORY DIV.  
6555 KATELLA AVENUE  
CYPRESS, CALIFORNIA 90630 U.S.A.

# FOREWORD

8. Applicable Serial No.

Engine Serial No.

Frame Serial No.



9. Applicable Colour Code (The (\*) mark shows Model colour.)

Abbreviation	Colour Name	Colour Code
DPBSE(*)	DEEP PURPLISH BLUE SOLID E	0583
PDG(*)	PASTEL DEEP GREEN	00K0
RTR(*)	ROMANTIQUE ROUGE	00TR

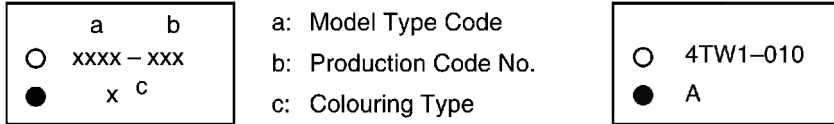
10. Quantity Column Information

Column No.	Name Of Q'ty Column	Destination
1	FRA	FRANCE
2	GBR	UNITED KINGDOM
3	OCE	AUSTRALIA, NEW ZEALAND

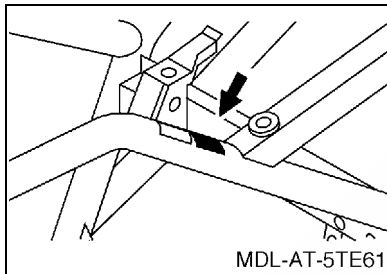
# MODEL LABEL

(1) A label called "Model Label" is affixed in the location as indicated in (3) below. When using this parts catalogue, please be sure to cross-reference the "model code - production code No." in the catalogue with the "model code - production code No." indicated on the Model Label affixed onto the product concerned.

(2) "Model Label" Indication



(3) Model Label Affixing Location



(4) Colouring Information

Model Code	Colouring Type Code	Colour Code	Colour Name	Abbreviation
5TE3	A	00TR	ROMANTIQUE ROUGE	RTR
	B	00K0	PASTEL DEEP GREEN	PDG
	D	0583	DEEP PURPLISH BLUE SOLID E	DPBSE
5TE4	D	0583	DEEP PURPLISH BLUE SOLID E	DPBSE

(5) Model Code - Production Code Number of Model Listed in This Parts Catalogue

Model Code	Production Code No.	Country (destination)	Model Code	Production Code No.	Country (destination)
5TE3	010	FRANCE			
	020	UNITED KINGDOM			
5TE4	010	AUSTRALIA			
		NEW ZEALAND			

# CONTENTS

## ENGINE

CYLINDER HEAD .....	B2
CYLINDER .....	B4
CRANKSHAFT & PISTON .....	B5
VALVE .....	B6
CAMSHAFT & CHAIN .....	B7
WATER PUMP .....	B8
RADIATOR & HOSE .....	B9
OIL PUMP .....	B10
INTAKE .....	B11
CARBURETOR .....	B12
EXHAUST .....	B14
CRANKCASE .....	B15
CRANKCASE COVER 1 .....	C3
STARTER .....	C5
STARTER CLUTCH .....	C6
CLUTCH .....	C7
TRANSMISSION .....	C9
MIDDLE DRIVE GEAR .....	C10
SHIFT CAM & FORK .....	C12
SHIFT SHAFT .....	C13

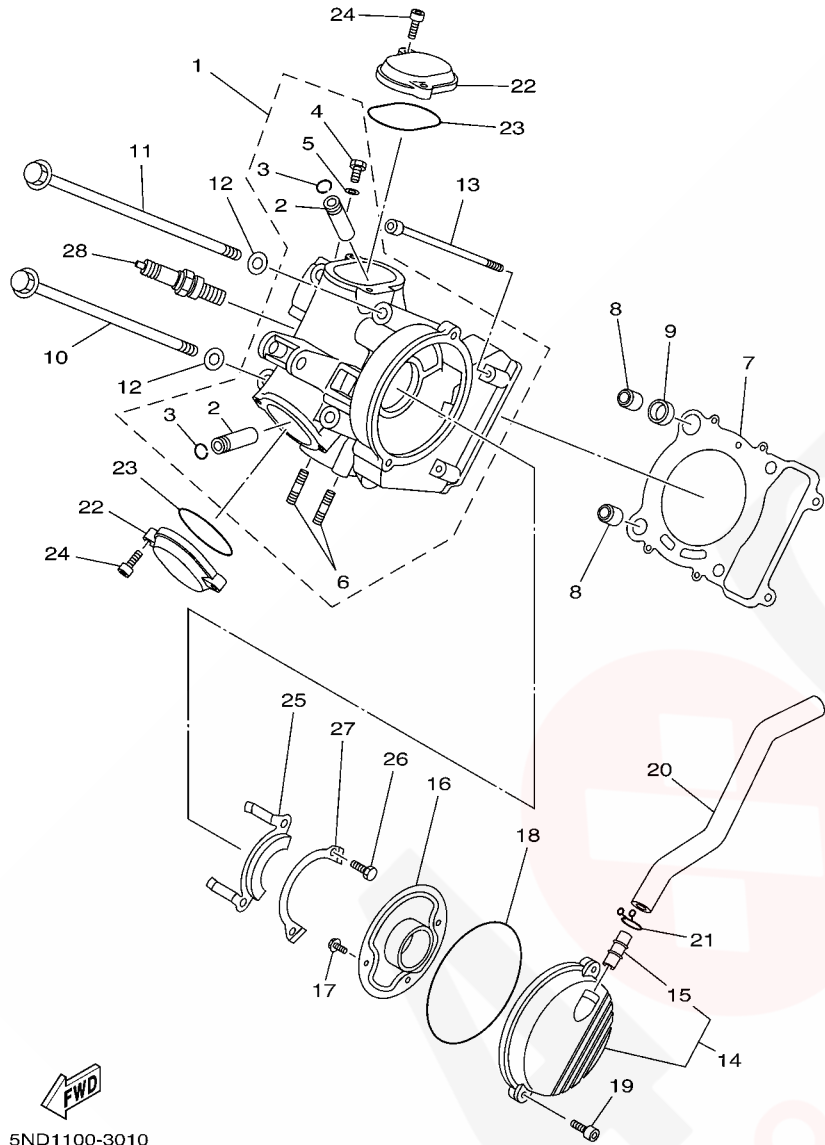
## CHASSIS

FRAME .....	C14
FRONT FENDER .....	D2
REAR FENDER .....	D3
SIDE COVER .....	D4
REAR ARM .....	D5
DRIVE SHAFT .....	D6
FRONT DIFFERENTIAL .....	D9
REAR SUSPENSION .....	D11
FRONT SUSPENSION & WHEEL .....	D12
STEERING .....	D13
FUEL TANK .....	D14
SEAT .....	D15
FRONT WHEEL .....	E2
FRONT BRAKE CALIPER .....	E5
REAR WHEEL .....	E6
STEERING HANDLE & CABLE .....	E8
FRONT MASTER CYLINDER .....	E10
STAND & FOOTREST .....	E11
GUARD .....	E13

GENERATOR .....	E14
STARTING MOTOR .....	E15
METER .....	F2
HEADLIGHT .....	F3
TAILLIGHT .....	F4
HANDLE SWITCH & LEVER .....	F5
ELECTRICAL 1 .....	F6
ELECTRICAL 2 .....	F10
EMBLEM & LABEL 1 .....	F11
EMBLEM & LABEL 2 .....	F12

## INDEX

NUMERICAL INDEX .....	M1
-----------------------	----



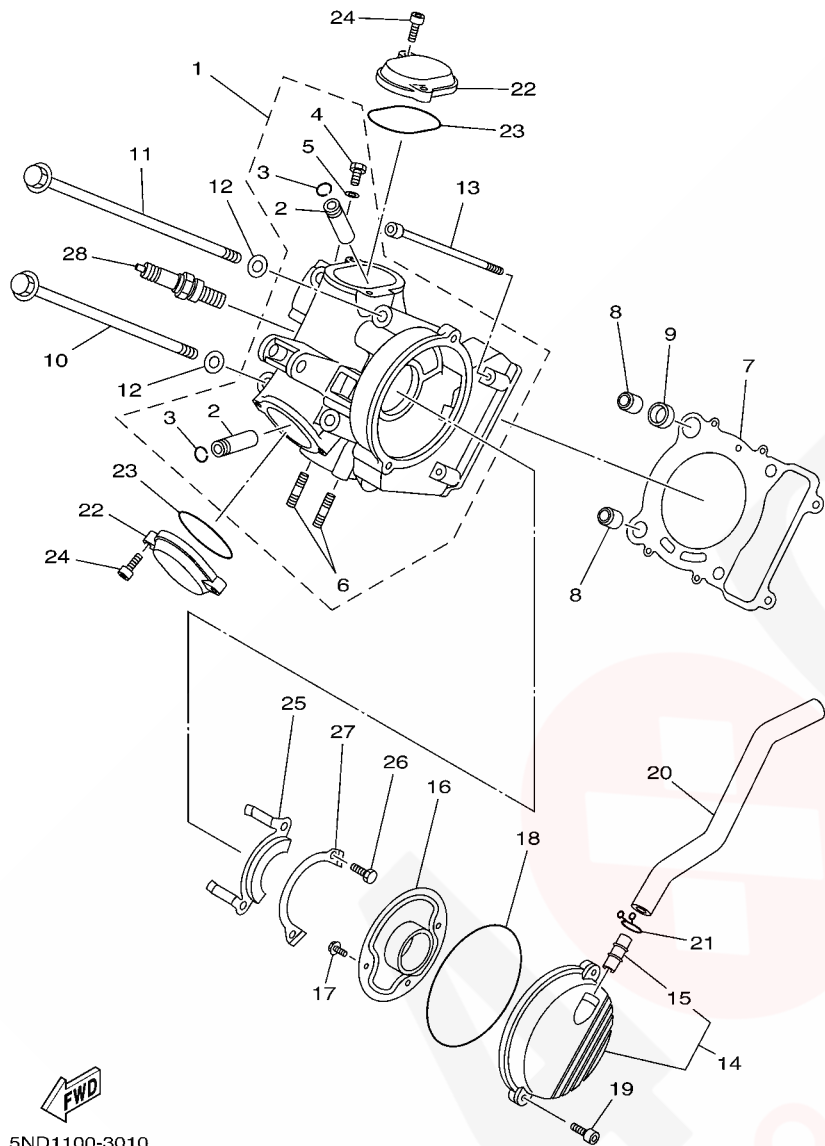
  
5ND1100-3010

**FIG. 1 CYLINDER HEAD**

REF. NO.	PART NO.	DESCRIPTION	FRA	GBR	OC	REMARKS
1	5GH-11110-00	CYLINDER HEAD ASSY	1	1	1	
2	3Y1-11133-11	.GUIDE, VALVE 1	2	2	2	
3	93440-12052	.CIRCLIP	2	2	2	
4	90401-06001	.BOLT, UNION	1	1	1	
5	90430-06192	.GASKET	1	1	1	
6	95617-08620	.BOLT, STUD	2	2	2	
7	5GH-11181-00	GASKET, CYLINDER HEAD 1	1	1	1	
8	99530-14016	PIN, DOWEL	2	2	2	
9	90430-14240	GASKET	1	1	1	
10	90105-10421	BOLT, FLANGE	2	2	2	
11	90105-10422	BOLT, FLANGE	2	2	2	
12	90201-10128	WASHER, PLATE	4	4	4	
13	91317-06140	BOLT	2	2	2	
14	4WU-11160-00	BREATHER ASSY	1	1	1	
15	371-11167-01	.PIPE, BREATHER 2	1	1	1	
16	4KB-11165-00	PLATE, BREATHER	1	1	1	
17	95027-06012	BOLT, FLANGE	2	2	2	
18	93211-06635	O-RING	1	1	1	
19	91317-06025	BOLT	2	2	2	
20	5ND-E1166-00	PIPE, BREATHER 1	1	1	1	(YMUS)
21	90467-14015	CLIP	1	1	1	
22	2NL-11186-00	COVER, CYLINDER HEAD SIDE 2	2	2	2	
23	93210-57634	O-RING	2	2	2	
24	91317-06020	BOLT	4	4	4	
25	5GH-1111F-00	PLATE	1	1	1	
26	97007-06012	BOLT	2	2	2	
27	90215-06184	WASHER, LOCK	1	1	1	

**B2**

FIG. 1 CYLINDER HEAD

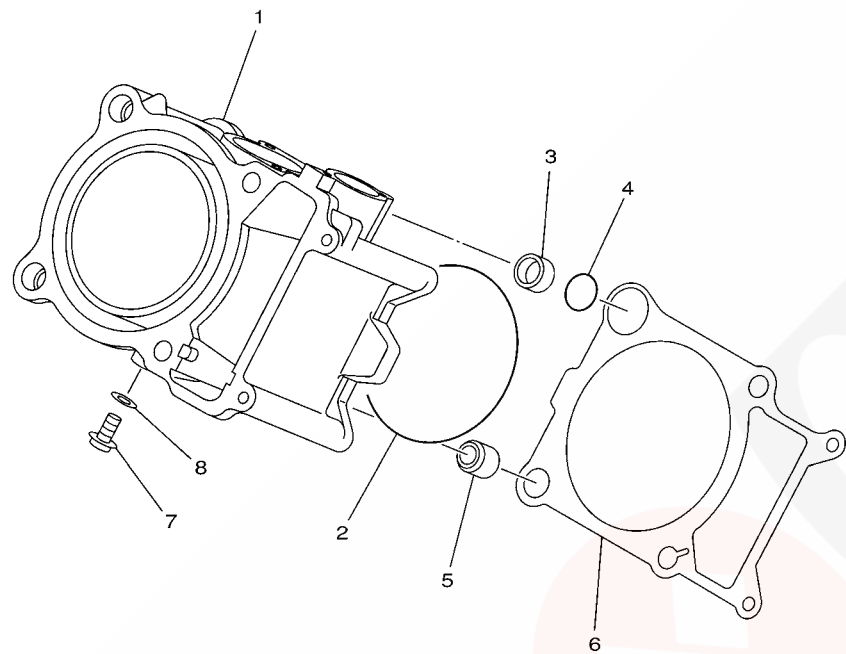


REF. NO.	PART NO.	DESCRIPTION	FRA	GBR	OCE	REMARKS
28	94701-00333	PLUG, SPARK (NGK DR8EA)	1	1	1	
-----						
-----						
-----						
-----						
-----						
-----						
-----						
-----						
-----						
-----						

  
5ND1100-3010

**B3**

FIG. 2 CYLINDER



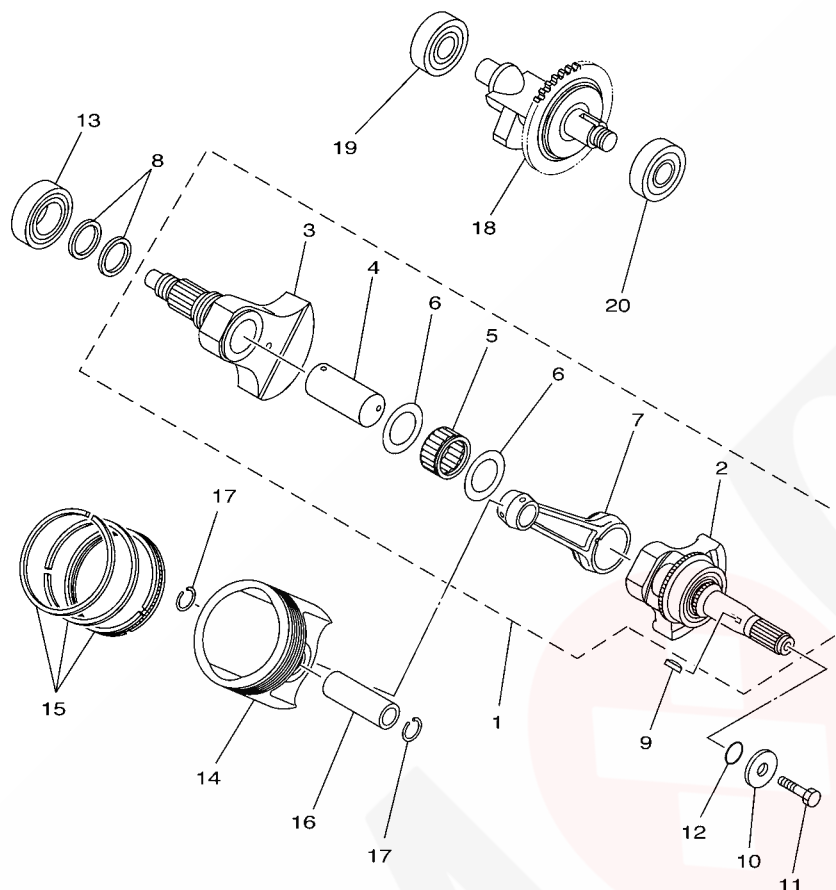
REF. NO.	PART NO.	DESCRIPTION	FRA	GER	OCE	REMARKS
1	5GH-11310-00	CYLINDER	1	1	1	
2	93210-89447	O-RING	1	1	1	
3	90387-16547	COLLAR	1	1	1	
4	93210-18322	O-RING	1	1	1	
5	99530-14016	PIN, DOWEL	1	1	1	
6	5GH-11351-00	GASKET, CYLINDER	1	1	1	
7	90153-06029	SCREW, HEXAGON	1	1	1	
8	90430-06014	GASKET	1	1	1	



5GH1110-0020



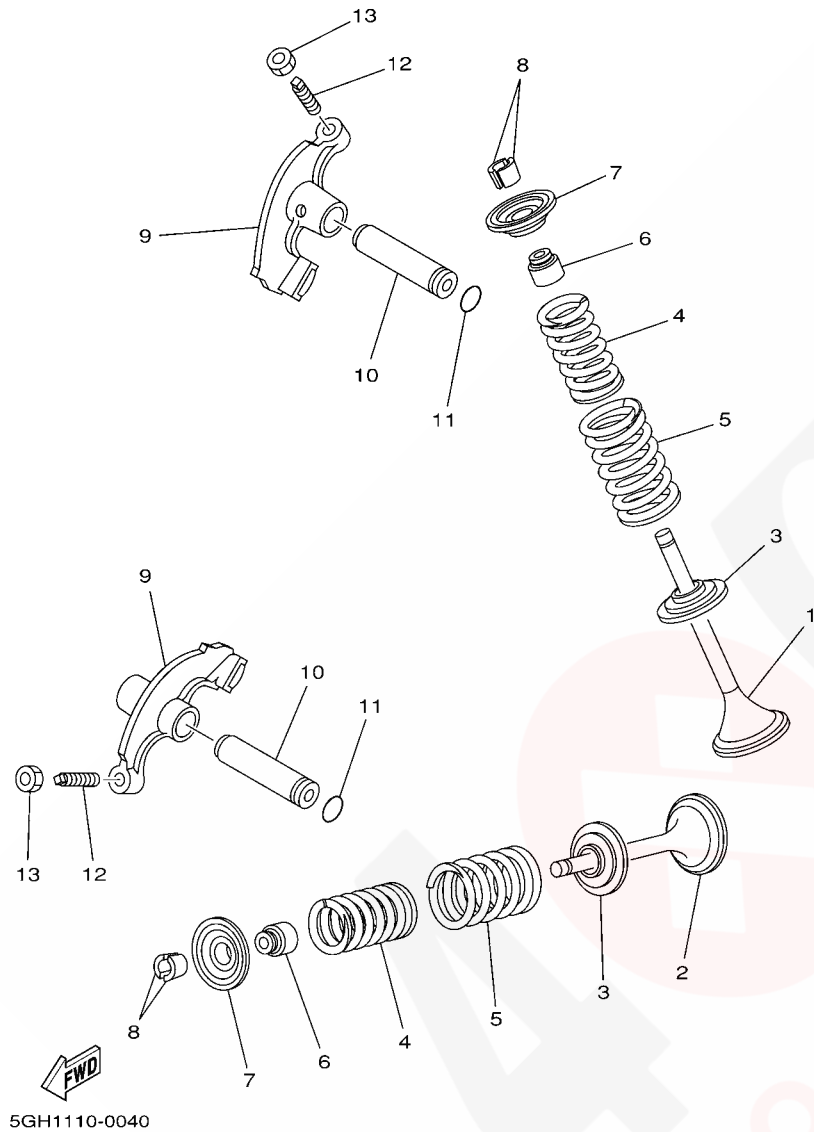
**FIG. 3 CRANKSHAFT & PISTON**



  
5GHD171-1030

REF. NO.	PART NO.	DESCRIPTION	FRA	GBR	OC	REMARKS
1	5GH-11400-10	CRANKSHAFT ASSY	1	1	1	
2	5GH-W1141-10	.CRANK 1	1	1	1	
3	5GH-W1142-00	.CRANK 2	1	1	1	
4	5GH-11681-00	.PIN, CRANK 1	1	1	1	
5	93310-635D4	.BEARING	1	1	1	
6	90201-356K1	.WASHER, PLATE	2	2	2	
7	5GH-11651-01	.ROD, CONNECTING	1	1	1	
8	5GH-11447-00	SEAL, CRANK	2	2	2	
9	90280-05048	KEY, WOODRUFF	1	1	1	
10	90201-10321	WASHER, PLATE	1	1	1	
11	90101-10568	BOLT	1	1	1	
12	93210-16290	O-RING	1	1	1	
13	93306-30629	BEARING	1	1	1	
14	5GH-11631-00	PISTON (STD)	1	1	1	
	5GH-11636-00	PISTON (0.50MM O/S)	1	1	1	AP
	5GH-11638-00	PISTON (1.00MM O/S)	1	1	1	AP
15	5GH-11603-00	PISTON RING SET (STD)	1	1	1	
	5GH-11605-00	PISTON RING SET (0.50MM O/S)	1	1	1	AP
	5GH-11607-00	PISTON RING SET (1.00MM O/S)	1	1	1	AP
16	3LD-11633-00	PIN, PISTON	1	1	1	
17	93450-22027	CIRCLIP	2	2	2	
18	5ND-11500-00	BALANCER ASSY	1	1	1	
19	93306-30315	BEARING	1	1	1	
20	93306-30438	BEARING	1	1	1	

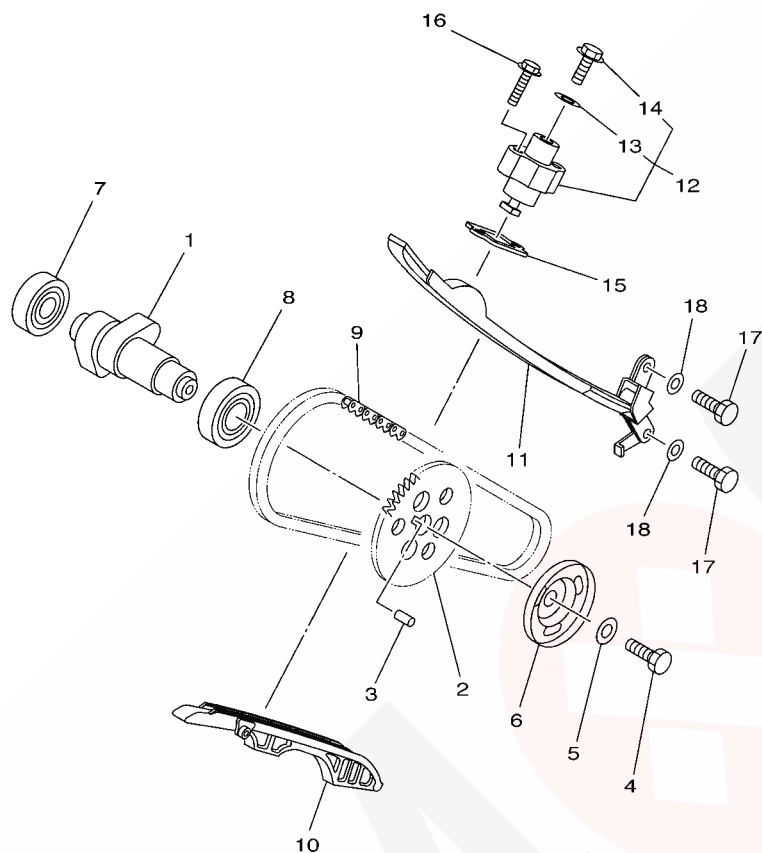
FIG. 4 VALVE



REF. NO.	PART NO.	DESCRIPTION	FRA	GBR	OCE	REMARKS
1	5GH-12111-00	VALVE, INTAKE	1	1	1	
2	5GH-12121-00	VALVE, EXHAUST	1	1	1	
3	3Y1-12116-00	SEAT, VALVE SPRING	2	2	2	
4	22U-12113-00	SPRING, VALVE INNER	2	2	2	
5	1UY-12114-01	SPRING, VALVE OUTER	2	2	2	
6	M01-12129-00	SEAL, VALVE STEM	2	2	2	
7	3Y1-12117-01	RETAINER, VALVE SPRING	2	2	2	
8	1J7-12118-00	COTTER, VALVE	4	4	4	
9	3GD-12151-00	ARM, VALVE ROCKER	2	2	2	
10	3Y1-12156-00	SHAFT, ROCKER 2	2	2	2	
11	93210-09165	O-RING	2	2	2	
12	31G-12159-02	SCREW, VALVE ADJUSTING	2	2	2	
13	31G-12158-00	NUT, LOCK	2	2	2	

**B6**

FIG. 5 CAMSHAFT & CHAIN



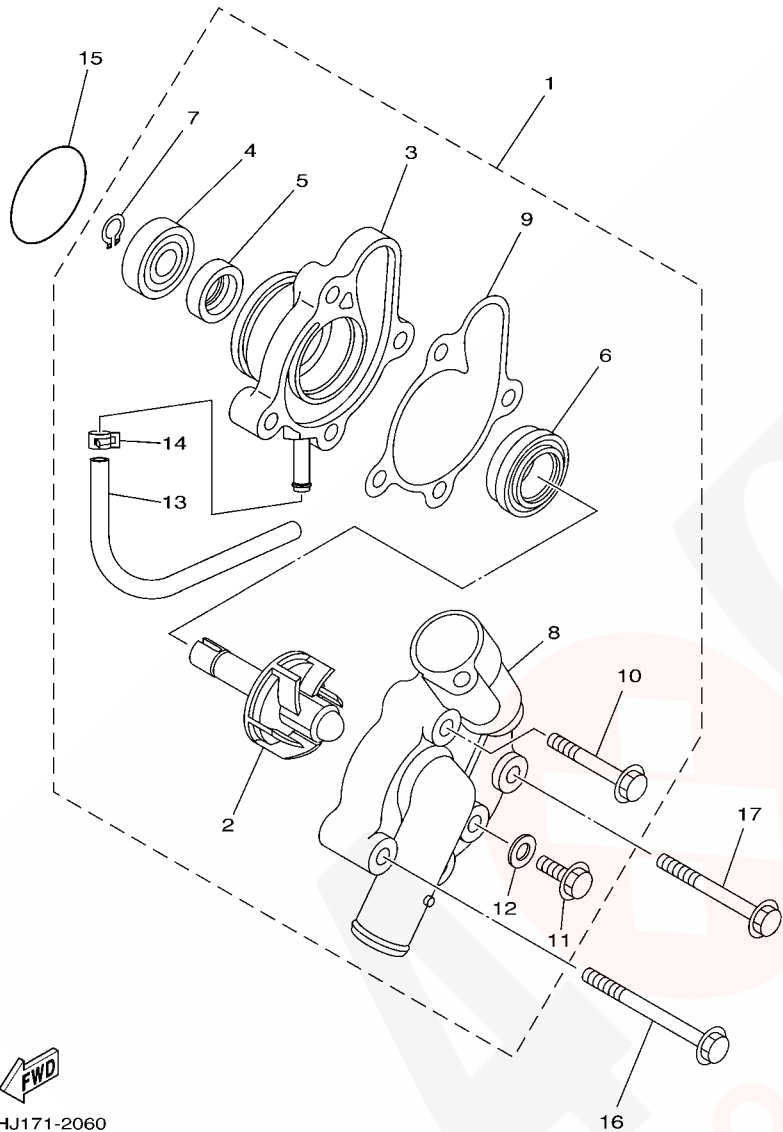
REF. NO.	PART NO.	DESCRIPTION	FRA	GBR	OCE	REMARKS
1	5GH-12171-00	CAMSHAFT 1	1	1	1	
2	5GH-12176-10	SPROCKET, CAM CHAIN	1	1	1	
3	93604-10011	PIN, DOWEL	1	1	1	
4	90101-10303	BOLT	1	1	1	
5	90201-10591	WASHER, PLATE	1	1	1	
6	4KB-11145-00	PLATE, BREATHER 2	1	1	1	
7	93306-00438	BEARING	1	1	1	NIHONSEIKO
8	93306-00515	BEARING	1	1	1	
9	94581-96116	CHAIN(DID SCR0409 SDH 116LE)	1	1	1	
10	5GH-12231-10	GUIDE, STOPPER 1	1	1	1	
11	5GH-12241-00	GUIDE, STOPPER 2	1	1	1	
12	31G-12210-01	TENSIONER ASSY, CAM CHAIN	1	1	1	
13	31G-12214-00	.GASKET	1	1	1	
14	31G-12222-00	.PLUG	1	1	1	
15	3GD-12213-00	GASKET, TENSIONER CASE	1	1	1	
16	95027-06025	BOLT, FLANGE	2	2	2	
17	97027-06016	BOLT	2	2	2	
18	92907-06600	WASHER, PLATE	2	2	2	



5GHK110-2050

**B7**

**FIG. 6 WATER PUMP**



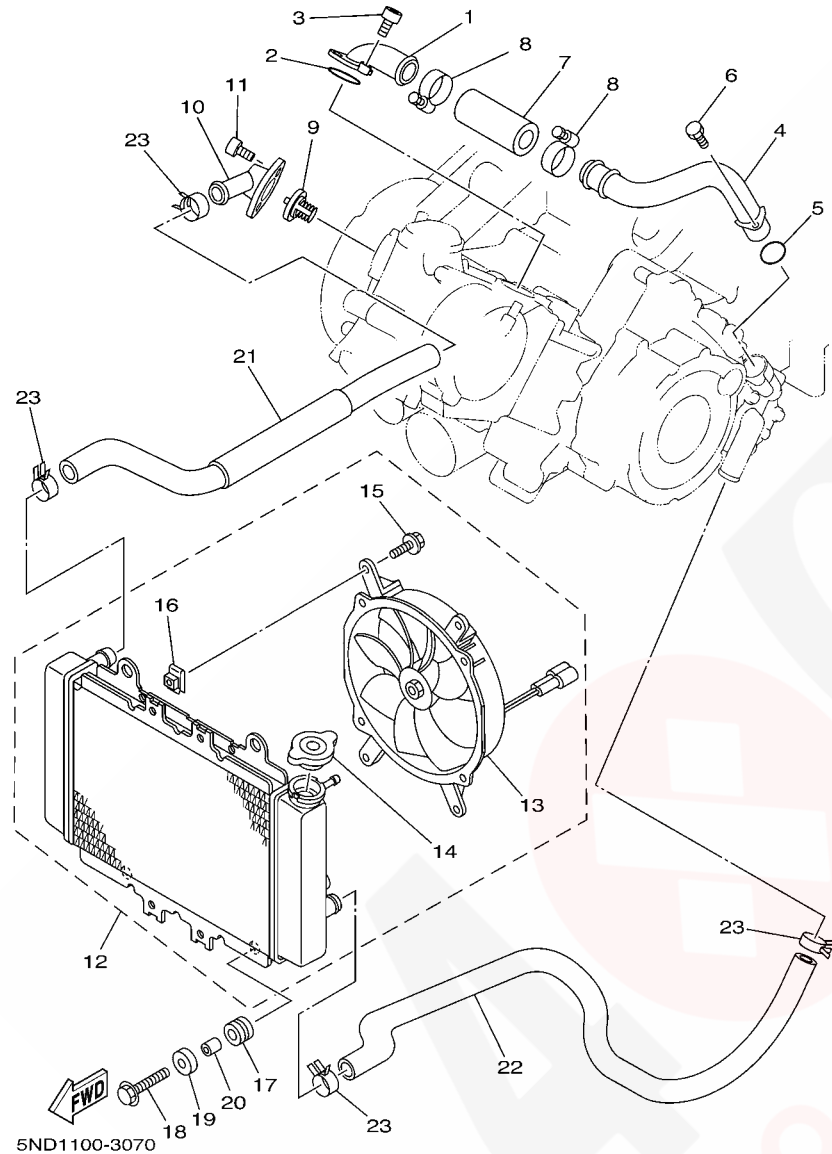
REF. NO.	PART NO.	DESCRIPTION	FRA	GBR	OCE	REMARKS
1	5GH-12420-01	WATER PUMP ASSY	1	1	1	
2	5CG-12450-00	.IMPELLER SHAFT ASSY	1	1	1	
3	5GH-12421-01	.HOUSING, WATER PUMP	1	1	1	
4	93306-00006	.BEARING (B6000)	1	1	1	
5	93101-10090	.OIL SEAL	1	1	1	
6	11H-12438-10	.SEAL, MECHANICAL	1	1	1	
7	99009-10400	.CIRCLIP	1	1	1	
8	5GH-12422-00	.COVER, HOUSING	1	1	1	
9	5GH-12428-00	.GASKET, HOUSING COVER 2	1	1	1	
10	90105-06005	.BOLT, FLANGE	2	2	2	
11	95027-06012	.BOLT, FLANGE	1	1	1	
12	90430-06014	.GASKET	1	1	1	
13	90446-06001	.HOSE (L300)	1	1	1	
14	90467-06194	.CLIP	1	1	1	
15	93210-33133	O-RING	1	1	1	
16	95027-06060	BOLT, FLANGE	1	1	1	
17	95027-06050	BOLT, FLANGE	1	1	1	



5GHJ171-2060

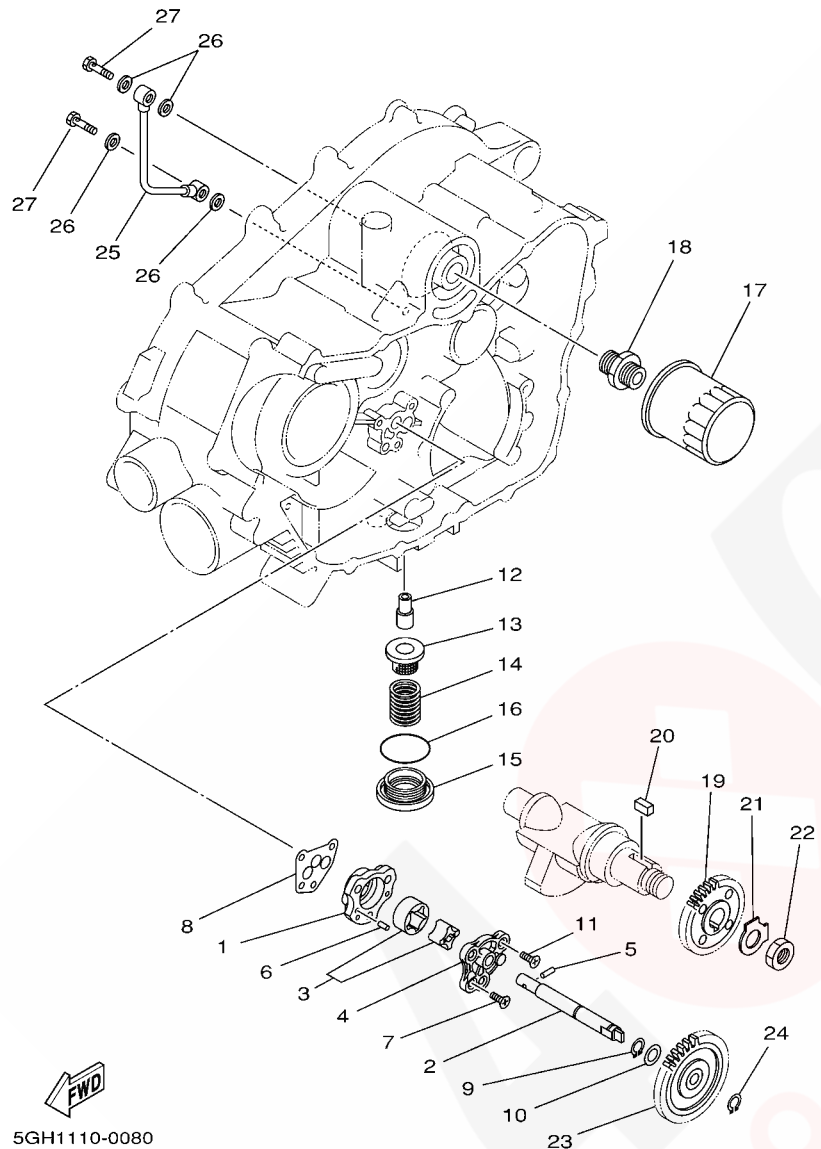
**B8**

FIG. 7 RADIATOR & HOSE



REF. NO.	PART NO.	DESCRIPTION	FRA	GBR	OCE	REMARKS
1	5GH-12446-00	JOINT	1	1	1	
2	93210-33786	O-RING	1	1	1	
3	90110-06136	BOLT, HEXAGON SOCKET HEAD	2	2	2	
4	5GH-12484-00	PIPE 4	1	1	1	
5	93210-18417	O-RING	1	1	1	
6	91317-06012	BOLT	1	1	1	
7	5GH-12481-00	PIPE 1	1	1	1	
8	90450-32015	HOSE CLAMP ASSY	2	2	2	
9	2TV-12411-00	THERMOSTAT	1	1	1	
10	5GH-12413-00	COVER, THERMOSTAT	1	1	1	
11	91317-06020	BOLT	2	2	2	
12	5ND-E240A-00	RADIATOR ASSY	1	1	1	(YMUS)
13	5ND-E2405-00	.BLOWER ASSY	1	1	1	(YMUS)
14	5ND-E2462-00	.CAP, RADIATOR	1	1	1	(YMUS)
15	5ND-E2675-00	.BOLT, BLOWER HOLDING	4	4	4	(YMUS)
16	5ND-E2535-00	.PLATE	4	4	4	(YMUS)
17	90480-15235	GROMMET	4	4	4	
18	95807-06020	BOLT, FLANGE	2	2	2	
19	90209-06174	WASHER	2	2	2	
20	90387-060A7	COLLAR	2	2	2	
21	5ND-E2482-00	PIPE 2	1	1	1	(YMUS)
22	5ND-E2483-00	PIPE 3	1	1	1	(YMUS)
23	90467-25800	CLIP	4	4	4	(YMUS)

**B9**



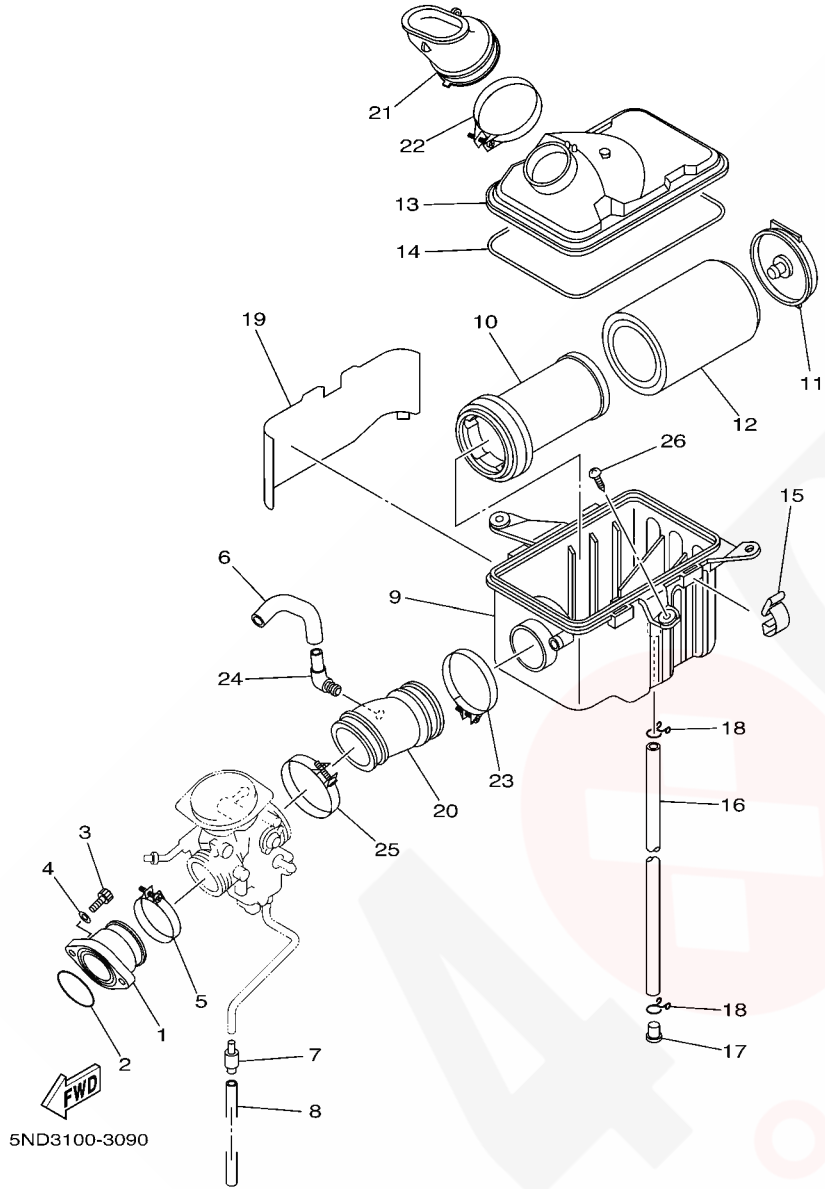
5GH1110-0080

FIG. 8 OIL PUMP

REF. NO.	PART NO.	DESCRIPTION	FRA	GBR	OCE	REMARKS
1	1UY-13336-00	HOUSING, ROTOR	1	1	1	
2	5GH-13314-00	SHAFT, PUMP	1	1	1	
3	3Y1-13310-01	ROTOR ASSY 1	1	1	1	
4	1UY-13316-00	COVER, PUMP	1	1	1	
5	93603-12030	PIN, DOWEL	1	1	1	
6	93603-07073	PIN, DOWEL	2	2	2	
7	98707-06020	SCREW, FLAT HEAD	1	1	1	
8	3GD-13329-00	GASKET, PUMP COVER	1	1	1	
9	99009-11400	CIRCLIP	1	1	1	
10	90201-114P2	WASHER, PLATE (1.0)	1	1	1	
11	98707-06030	SCREW, FLAT HEAD	3	3	3	
12	2XK-13416-00	PIPE, OIL 1	1	1	1	
13	51Y-13411-00	STRAINER, OIL	1	1	1	
14	90501-18576	SPRING, COMPRESSION	1	1	1	
15	4HC-15351-00	PLUG, DRAIN	1	1	1	
16	93210-35520	O-RING	1	1	1	
17	5GH-13440-00	ELEMENT ASSY, OIL CLEANER	1	1	1	
18	90401-20145	BOLT, UNION	1	1	1	
19	5GH-13324-00	GEAR, PUMP DRIVE	1	1	1	
20	90282-05013	KEY, STRAIGHT	1	1	1	
21	90215-14205	WASHER, LOCK	1	1	1	
22	90170-14284	NUT	1	1	1	
23	5GH-13325-00	GEAR, PUMP DRIVEN	1	1	1	
24	99009-11400	CIRCLIP	1	1	1	
25	4KB-13161-01	PIPE, DELIVERY 1	1	1	1	
26	90430-08119	GASKET	4	4	4	
27	90401-08038	BOLT, UNION	2	2	2	

**B10**

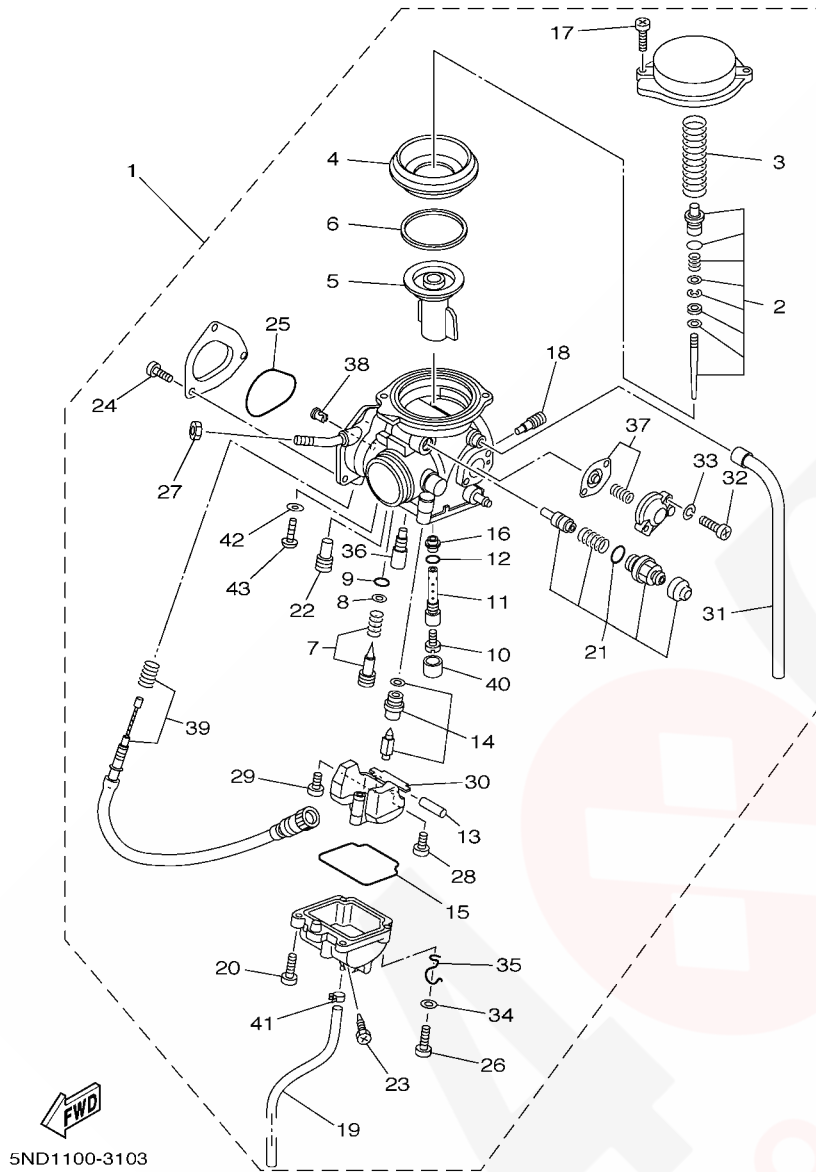
FIG. 9 INTAKE



REF. NO.	PART NO.	DESCRIPTION	FRA	GBR	OCE	REMARKS
1	5GH-13586-00	JOINT, CARBURETOR 1	1	1	1	
2	93210-44545	O-RING	1	1	1	
3	91317-08025	BOLT	2	2	2	
4	90201-08085	WASHER, PLATE	2	2	2	
5	90450-47001	HOSE CLAMP ASSY	1	1	1	
6	5ND-E4349-00	PIPE	1	1	1	(YMUS)
7	24W-14193-00	PIPE	1	1	1	
8	91A20-07010	TUBE, FLEXIBLE VINYL	1	1	1	
9	5ND-E4411-00	CASE, AIR CLEANER 1	1	1	1	(YMUS)
10	5ND-E4458-00	GUIDE	1	1	1	(YMUS)
11	5ND-E4468-00	PLATE,ELEMENT FITTING	1	1	1	(YMUS)
12	5ND-E4451-00	ELEMENT, AIR CLEANER	1	1	1	(YMUS)
13	5ND-E4412-00	CAP, CLEANER CASE 1	1	1	1	(YMUS)
14	5ND-E4462-00	SEAL	1	1	1	(YMUS)
15	5ND-E4424-00	CLIP, CAP FITTING	4	4	4	(YMUS)
16	5ND-E4769-00	PIPE, DRAIN	1	1	1	(YMUS)
17	5ND-E4191-00	PLUG, DRAIN	1	1	1	(YMUS)
18	5ND-E4438-00	CLIP, DRAIN CLEANER	2	2	2	(YMUS)
19	5ND-E442F-00	PROTECTOR	1	1	1	(YMUS)
20	5ND-E4453-00	JOINT, AIR CLEANER 1	1	1	1	(YMUS)
21	5ND-E4437-00	DUCT	1	1	1	(YMUS)
22	90460-58124	CLAMP, HOSE	1	1	1	
23	90460-58124	CLAMP, HOSE	1	1	1	
24	31A-14419-00	PIPE	1	1	1	
25	90460-56105	CLAMP, HOSE	1	1	1	
26	90119-06227	BOLT, WITH WASHER	2	2	2	

**B11**

FIG. 10 CARBURETOR



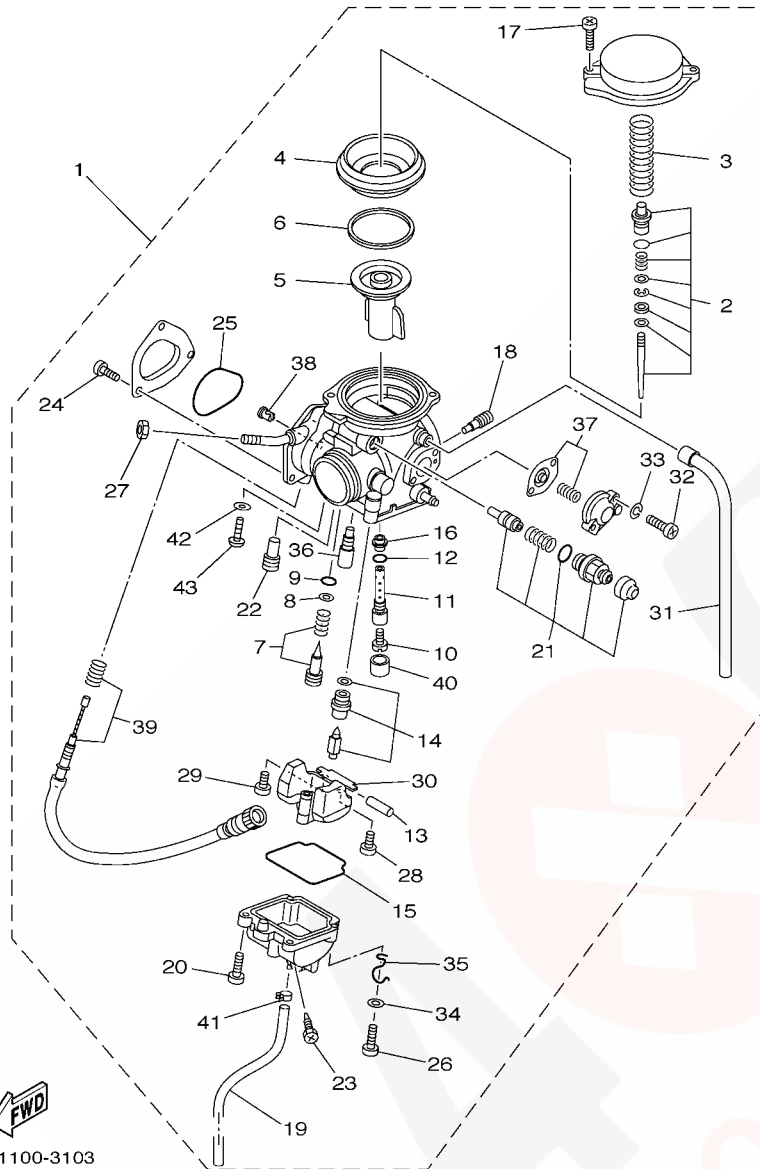
5ND1100-3103

REF. NO.	PART NO.	DESCRIPTION	FRA	GBR	OC	REMARKS
1	5TE-14101-00	CARBURETOR ASSY 1	1	1	1	
2	5ND-1490J-00	.NEEDLE SET	1	1	1	
3	5DM-14933-00	.SPRING, DIAPHRAGM	1	1	1	
4	5GH-14940-10	.DIAPHRAGM ASSY	1	1	1	
5	5DM-14112-00	.VALVE, THROTTLE 1	1	1	1	
6	5GH-14918-10	.RING	1	1	1	
7	5GH-14105-10	.PILOT SCREW SET	1	1	1	WHITE SPRING
8	3H1-14962-00	.WASHER	1	1	1	
9	3H1-14147-00	.O-RING	1	1	1	
10	3G2-1423A-77	.JET, MAIN (#132.5)	1	1	1	
11	5GH-14261-00	.HOLDER	1	1	1	
12	583-14561-00	.O-RING	1	1	1	
13	127-14186-00	.PIN, FLOAT	1	1	1	
14	4SV-14107-20	.NEEDLE VALVE SET	1	1	1	
15	5DM-14561-00	.O-RING	1	1	1	
16	5DM-14141-40	.NOZZLE, MAIN	1	1	1	
17	4KM-14216-00	.SCREW	1	1	1	
18	1HX-14231-16	.JET, MAIN (# 80)	1	1	1	
19	4KB-14193-20	.PIPE	1	1	1	
20	98580-04010	.SCREW, PAN HEAD	3	3	3	
21	5GH-1410A-00	.STARTER SET	1	1	1	
22	3G2-14231-15	.JET, POWER (# 75)	1	1	1	
23	3FV-14191-00	.PLUG, DRAIN	1	1	1	
24	98507-04006	.SCREW, PAN HEAD	3	3	3	
25	4WV-14147-10	.O-RING	1	1	1	
26	98507-04016	.SCREW, PAN HEAD	1	1	1	
27	522-14161-00	.NUT, CABLE ADJUSTING	1	1	1	

B12

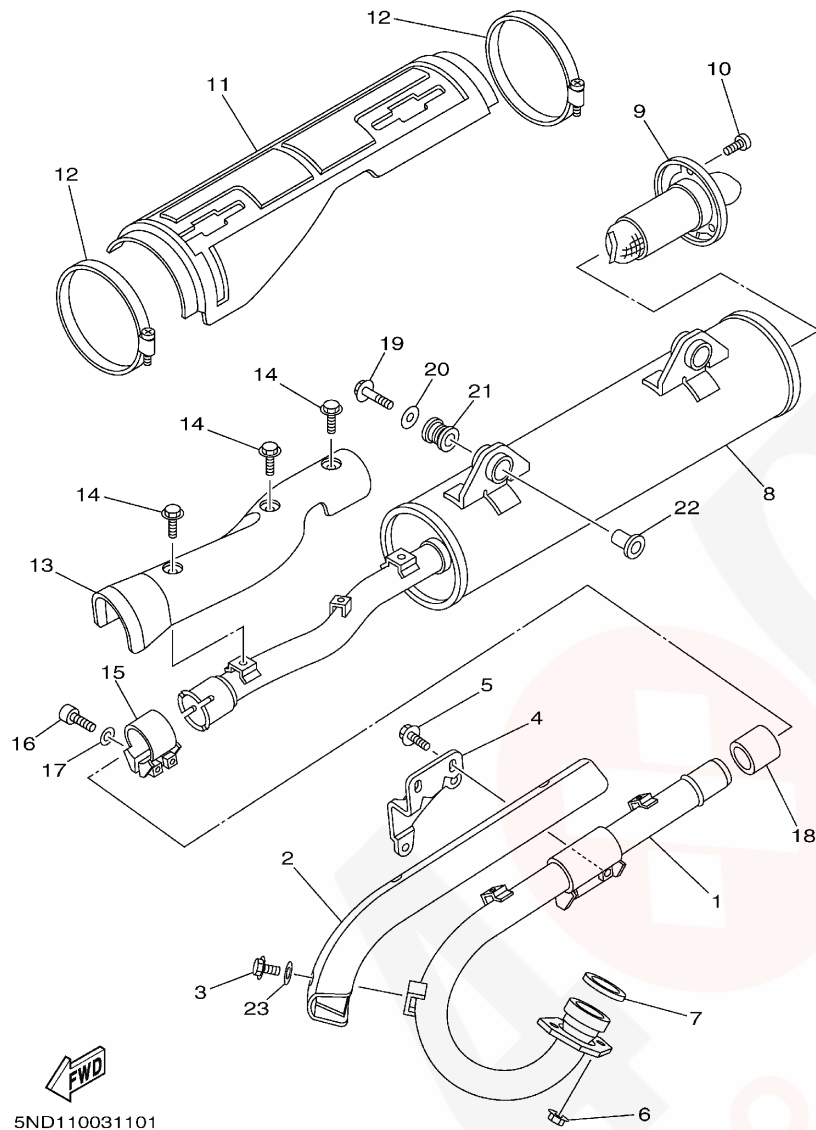


**FIG. 10 CARBURETOR**



5ND1100-3103

REF. NO.	PART NO.	DESCRIPTION	FRA	GBR	OCE	REMARKS
28	98507-04008	.SCREW, PAN HEAD	1	1	1	
29	1FN-14565-00	.SCREW	1	1	1	
30	5DM-14985-00	.FLOAT	1	1	1	
31	5GH-14197-00	.PIPE	1	1	1	
32	98501-04014	.SCREW, PAN HEAD	2	2	2	
33	92902-04100	.WASHER, SPRING	2	2	2	
34	92907-04600	.WASHER	1	1	1	
35	5GH-14937-00	.CLIP	1	1	1	
36	4KM-14142-17	.JET, PILOT (# 17.5)	1	1	1	
37	5ND-1490H-00	.DIAPHRAGM SET 5	1	1	1	
38	1UY-14155-00	.GUIDE, CABLE	1	1	1	
39	5GH-14103-01	.THROTTLE SCREW SET	1	1	1	
40	5GH-14918-00	.RING	1	1	1	
41	90467-06194	.CLIP	1	1	1	
42	256-14956-01	.WASHER	1	1	1	
43	3DM-14216-00	.SCREW	1	1	1	



**FIG. 11 EXHAUST**

REF. NO.	PART NO.	DESCRIPTION	FRA	GBR	OCE	REMARKS
1	5ND-E4611-00	PIPE, EXHAUST 1	1	1	1	(YMUS)
2	5ND-E4628-00	PROTECTOR, EXHAUST PIPE	1	1	1	(YMUS)
3	9581P-06010	BOLT, FLANGE	3	3	3	(YMUS)
4	5ND-E477K-00	PLATE 1	1	1	1	(YMUS)
5	9581P-06016	BOLT, FLANGE	2	2	2	(YMUS)
6	90179-08410	NUT	2	2	2	
7	3GD-14613-00	GASKET, EXHAUST PIPE	1	1	1	
8	5ND-E4711-00	MUFFLER 1	1	1	1	(YMUS)
9	5ND-E4752-00	PIPE, OUTLET	1	1	1	(YMUS)
10	5ND-E4719-00	BOLT, MUFFLER	3	3	3	(YMUS)
11	5ND-E4718-00	PROTECTOR, MUFFLER 1	1	1	1	(YMUS)
12	5ND-E4788-00	BAND, SILENCER	2	2	2	(YMUS)
13	5ND-E4728-00	PROTECTOR, MUFFLER 2	1	1	1	(YMUS)
14	9581P-06008	BOLT, FLANGE	3	3	3	(YMUS)
15	5ND-E4715-00	BAND, MUFFLER	1	1	1	(YMUS)
16	5ND-E4777-00	BOLT	2	2	2	(YMUS)
17	5ND-E4759-00	WASHER	2	2	2	(YMUS)
18	5ND-E4714-00	GASKET, MUFFLER	1	1	1	(YMUS)
19	95827-10040	BOLT, FLANGE	2	2	2	
20	90201-106E0	WASHER, PLATE	2	2	2	
21	5ND-E4737-00	DAMPÉR, MUFFLER	2	2	2	(YMUS)
22	90387-10636	COLLAR	2	2	2	
23	90201-06008	WASHER, PLAIN	3	3	3	

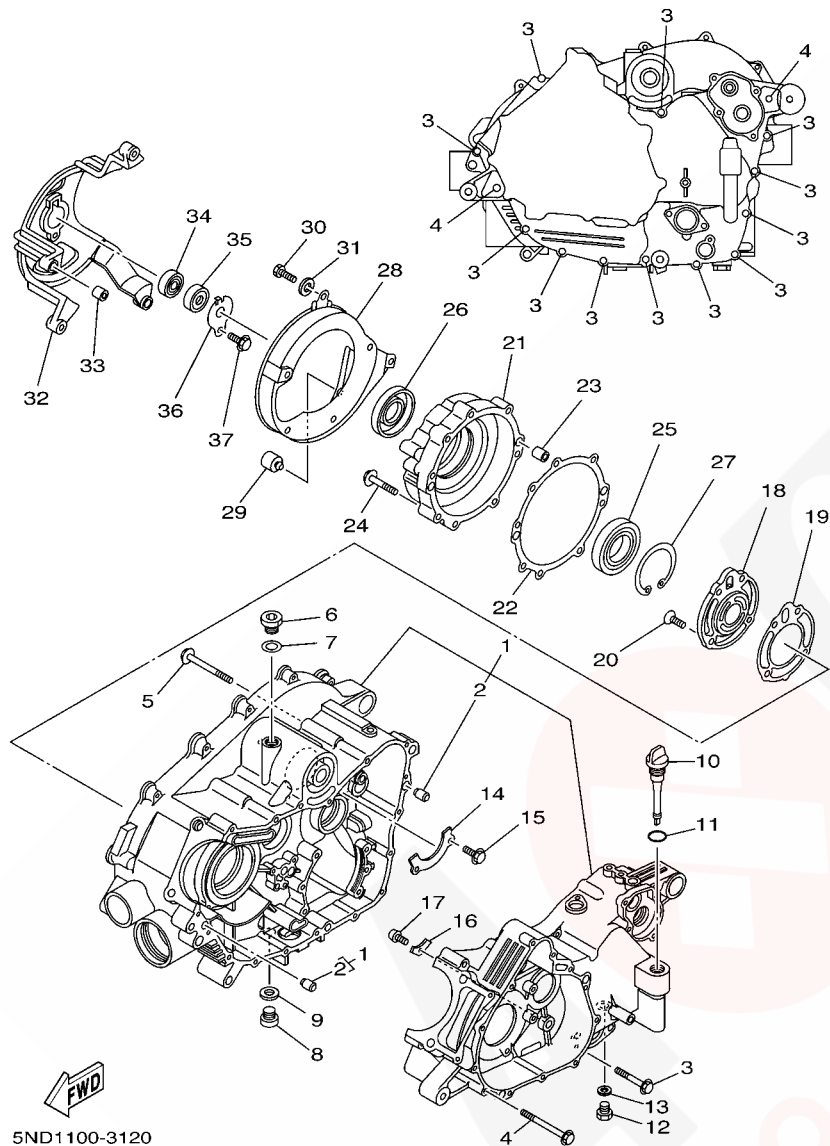
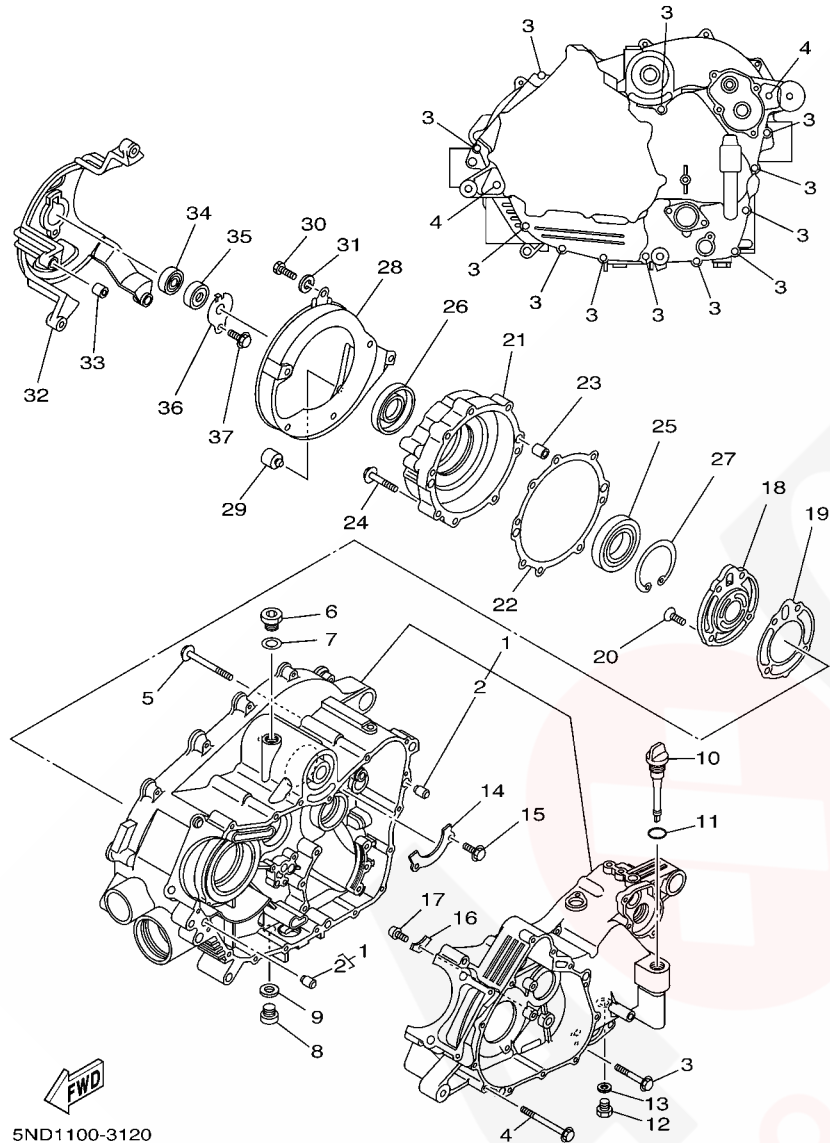


FIG. 12 CRANKCASE

REF. NO.	PART NO.	DESCRIPTION	FRA	GBR	OCE	REMARKS
1	5TE-15100-00	CRANKCASE ASSY	1	1	1	
2	99530-10014	.PIN, DOWEL	2	2	2	
3	95027-06040	BOLT, FLANGE	12	12	12	
4	95027-06065	BOLT, FLANGE	2	2	2	
5	95027-06065	BOLT, FLANGE	3	3	3	
6	90340-18101	PLUG, STRAIGHT SCREW	1	1	1	
7	90430-18130	GASKET	1	1	1	
8	90340-14046	PLUG, STRAIGHT SCREW	1	1	1	
9	214-11198-01	GASKET	1	1	1	
10	5GH-15362-00	PLUG, OIL LEVEL	1	1	1	
11	93210-19522	O-RING	1	1	1	
12	90340-14029	PLUG, STRAIGHT SCREW	1	1	1	
13	214-11198-01	GASKET	1	1	1	
14	5GH-15388-00	PLATE, BEARING COVER	1	1	1	
15	95827-06012	BOLT, FLANGE	2	2	2	
16	2K7-15383-00	PLATE, BEARING COVER	1	1	1	
17	90151-06014	SCREW, COUNTERSUNK	1	1	1	
18	5GH-15414-00	COVER, AIR CLEANER	1	1	1	
19	5GH-15454-00	GASKET, AIR CLEANER COVER 1	1	1	1	
20	98707-06020	SCREW, FLAT HEAD	4	4	4	
21	5GH-15163-00	HOUSING, BEARING 1	1	1	1	
22	5GH-15463-00	GASKET, CARBURETOR COVER 2	1	1	1	
23	99530-10114	PIN, DOWEL	2	2	2	
24	95027-06040	BOLT, FLANGE	8	8	8	
25	93316-01003	BEARING	1	1	1	
26	93102-32483	OIL SEAL	1	1	1	
27	99009-80500	CIRCLIP	1	1	1	

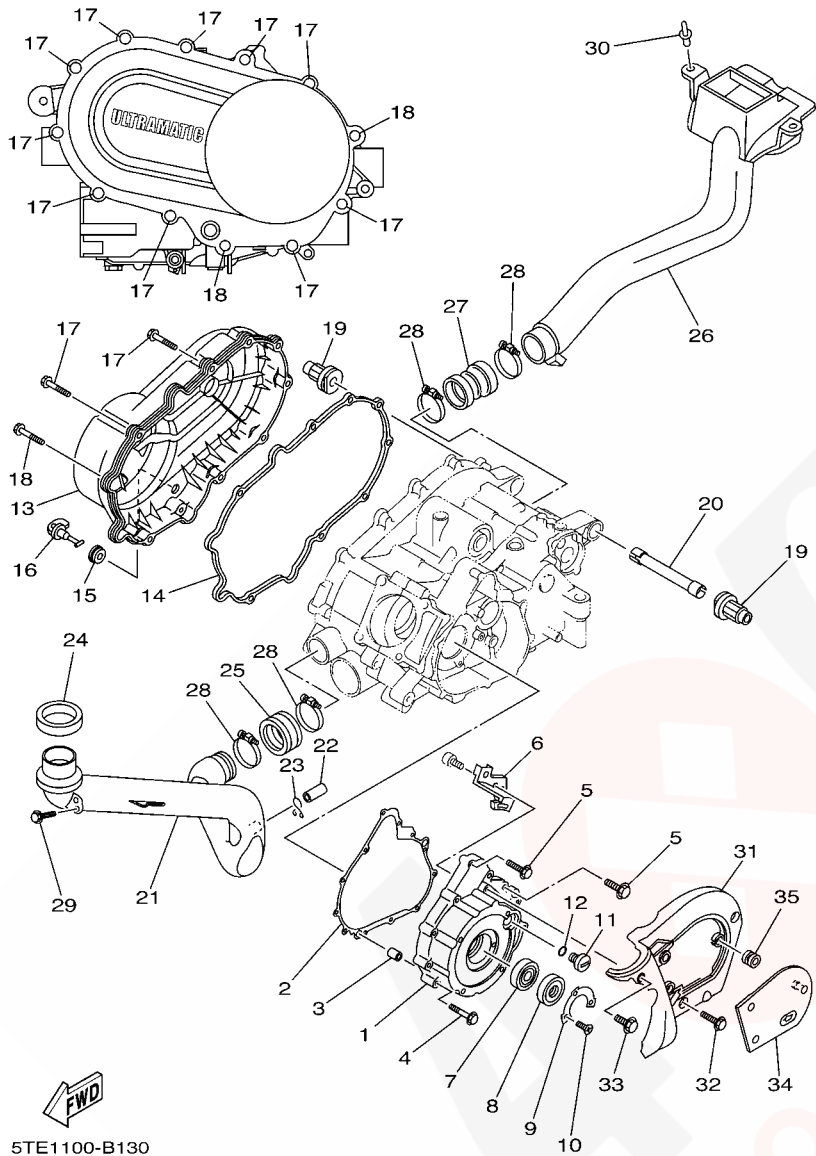
**B15**

FIG. 12 CRANKCASE



5ND1100-3120

REF. NO.	PART NO.	DESCRIPTION	FRA	GBR	OCE	REMARKS
28	5GH-15333-00	COVER	1	1	1	
29	5GH-15338-00	DAMPER, ENGINE MOUNT 5	1	1	1	
30	97017-06016	BOLT	6	6	6	
31	92907-06600	WASHER, PLATE	6	6	6	
32	5GH-15442-00	HOUSING, BEARING	1	1	1	
33	91810-20001	PIN, DOWEL	2	2	2	
34	93306-20120	BEARING	1	1	1	
35	93101-12168	OIL SEAL	1	1	1	
36	4WV-15381-00	PLATE, BEARING COVER	1	1	1	
37	95027-06012	BOLT, FLANGE	1	1	1	



5TE1100-B130

FIG. 13 CRANKCASE COVER 1

REF. NO.	PART NO.	DESCRIPTION	FRA	GBR	OCE	REMARKS
1	5GH-15411-00	COVER, CRANKCASE 1	1	1	1	
2	5GH-15451-00	GASKET, CRANKCASE COVER 1	1	1	1	
3	99530-10114	PIN, DOWEL	2	2	2	
4	95027-06040	BOLT, FLANGE	8	8	8	
5	95027-06030	BOLT, FLANGE	4	4	4	
6	5GH-15113-00	PLATE	1	1	1	
7	93306-07801	BEARING	1	1	1	
8	93102-28476	OIL SEAL	1	1	1	
9	1UY-15719-00	WASHER, THRUST	1	1	1	
10	90151-05023	SCREW, COUNTERSUNK	3	3	3	
11	90340-14117	PLUG, STRAIGHT SCREW	1	1	1	
12	93210-14369	O-RING	1	1	1	
13	5ND-15431-00	COVER, CRANKCASE 3	1	1	1	
14	5GH-15379-00	SEAL, CRANKCASE	1	1	1	
15	90480-13018	GROMMET	1	1	1	
16	5KM-15351-00	PLUG, DRAIN	1	1	1	
17	95827-06035	BOLT, FLANGE	10	10	10	
18	95827-06045	BOLT, FLANGE	2	2	2	
19	5ND-E5336-00	DAMPER, ENGINE MOUNT 3	2	2	2	(YMUS)
20	5GH-15317-00	SPACER, ENGINE MOUNT	1	1	1	
21	5ND-E5471-00	DUCT, AIR	1	1	1	(YMUS)
22	5BF-1443E-00	PIPE, DRAIN	1	1	1	
23	90467-16195	CLIP	1	1	1	
24	5ND-E5434-00	SEAL, CLEANER COVER	1	1	1	(YMUS)
25	5ND-E5472-00	SEAL, AIR DUCT	1	1	1	(YMUS)
26	5ND-E5473-00	DUCT, AIR	1	1	1	(YMUS)
27	5ND-E5474-00	SEAL, AIR DUCT	1	1	1	(YMUS)

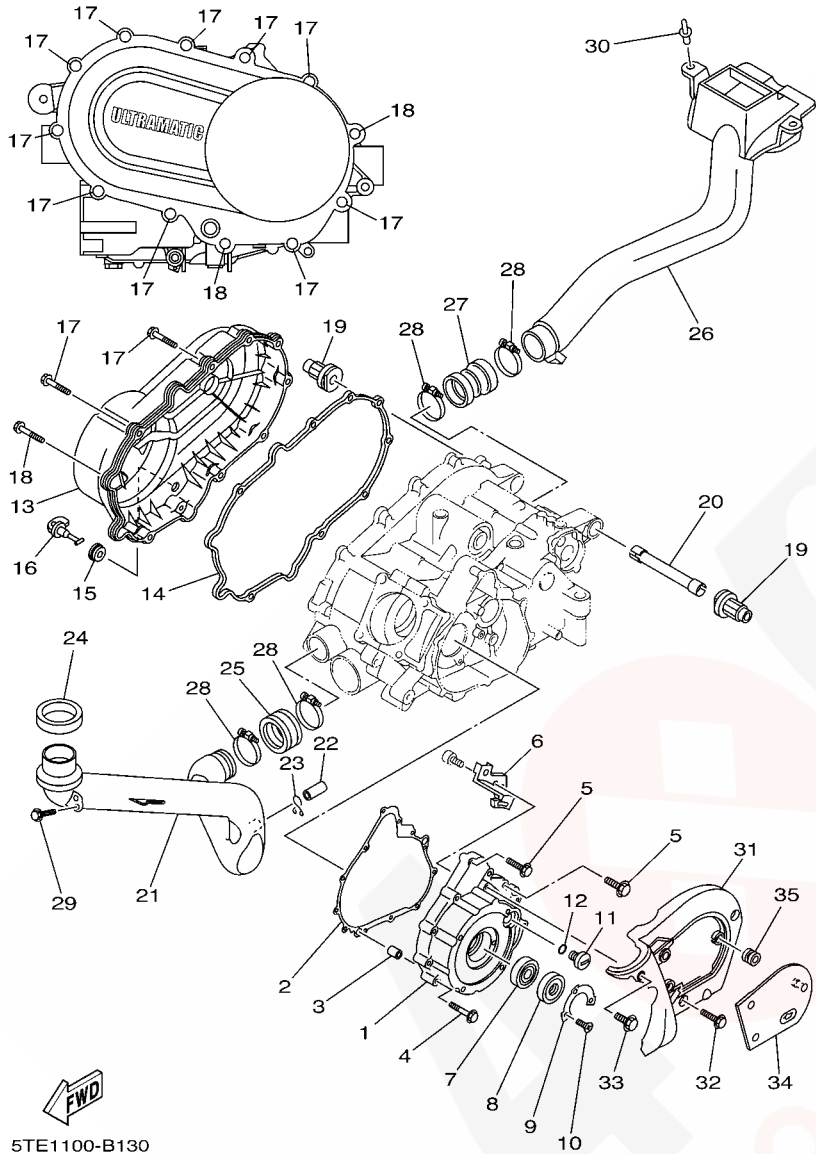
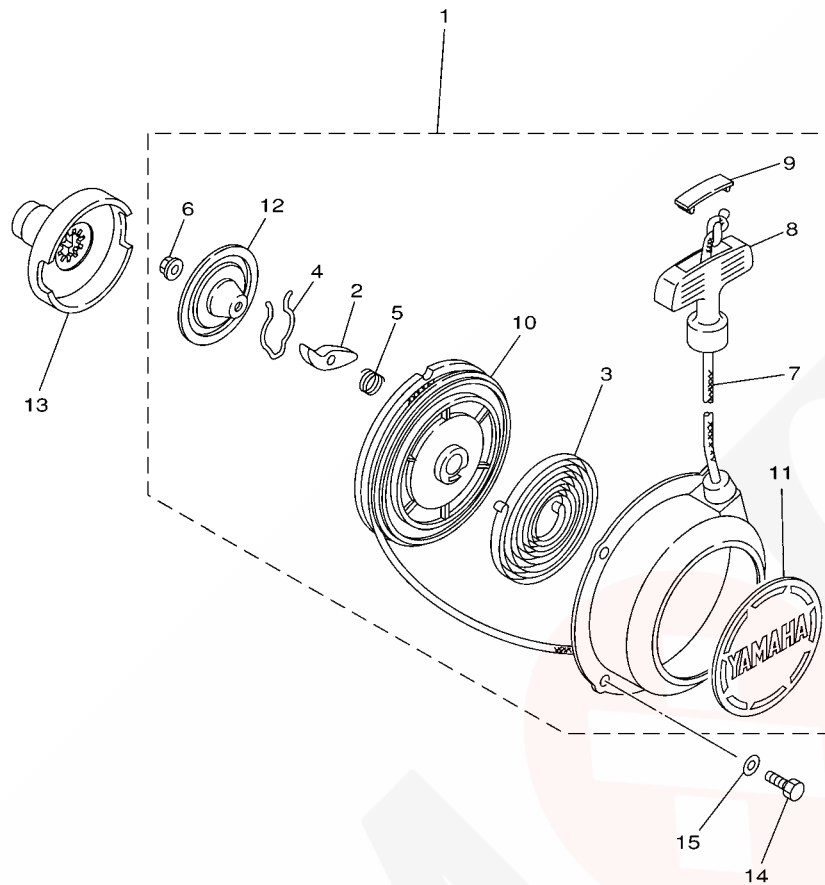


FIG. 13 CRANKCASE COVER 1

REF. NO.	PART NO.	DESCRIPTION	FRA	GBR	OCF	REMARKS
28	90450-64089	HOSE CLAMP ASSY	4	4	4	
29	95807-06014	BOLT, FLANGE	1	1	1	
30	90269-08813	RIVET	2	2	2	(YMUS)
31	5ND-E5423-00	COVER 2	1	1	1	(YMUS)
32	95027-06014	BOLT, FLANGE	2	2	2	
33	95027-06035	BOLT, FLANGE	1	1	1	
34	5ND-E5413-00	COVER	1	1	1	(YMUS)
35	90480-13398	GROMMET	3	3	3	

FIG. 14 STARTER

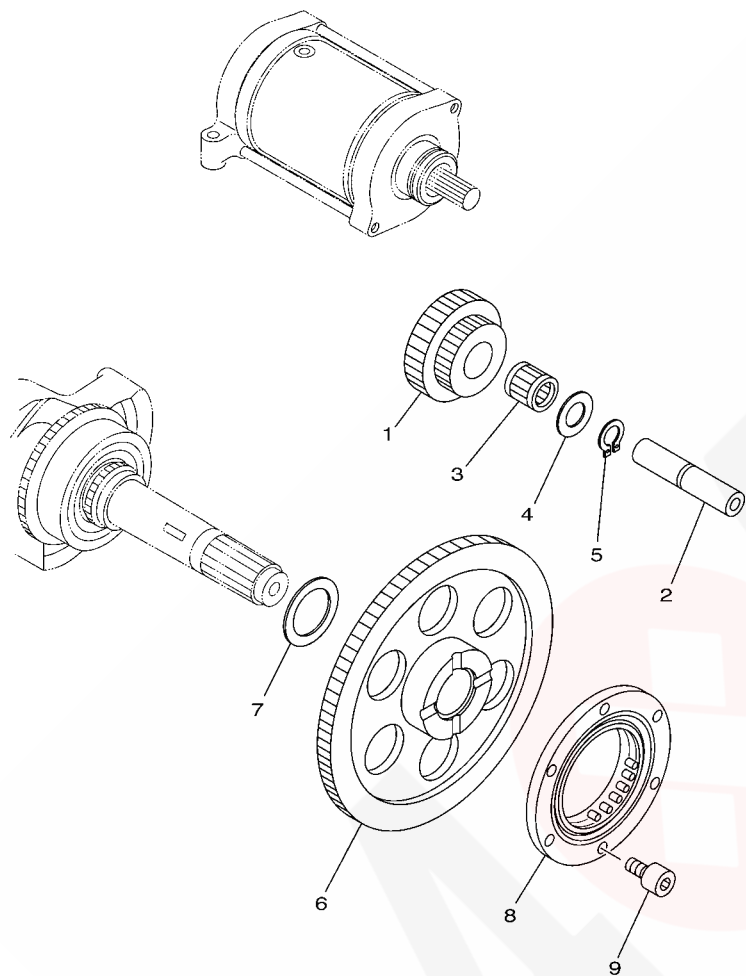


REF. NO.	PART NO.	DESCRIPTION	FRA	GBR	OCE	REMARKS
1	5GH-15710-21	STARTER ASSY	1	1	1	
2	21V-15741-00	.PAWL, DRIVE	1	1	1	
3	21V-15713-00	.SPRING, STARTER	1	1	1	
4	21V-15715-01	.SPRING, FRICTION	1	1	1	
5	21V-15767-00	.SPRING	1	1	1	
6	95702-06500	.NUT, FLANGE	1	1	1	
7	21V-15751-00	.WIRE, STARTER	1	1	1	
8	3X3-15755-00	.HANDLE, STARTER	1	1	1	
9	21V-15779-00	.COVER	1	1	1	
10	24W-15714-00	.DRUM, SHEAVE	1	1	1	
11	5GH-15443-01	.EMBLEM	1	1	1	
12	21V-15716-01	.PLATE, DRIVE	1	1	1	
13	1UY-15723-00	PULLEY, STARTER	1	1	1	
14	97017-06014	BOLT	4	4	4	
15	92907-06600	WASHER, PLATE	4	4	4	



5GH1110-0140

FIG. 15 STARTER CLUTCH



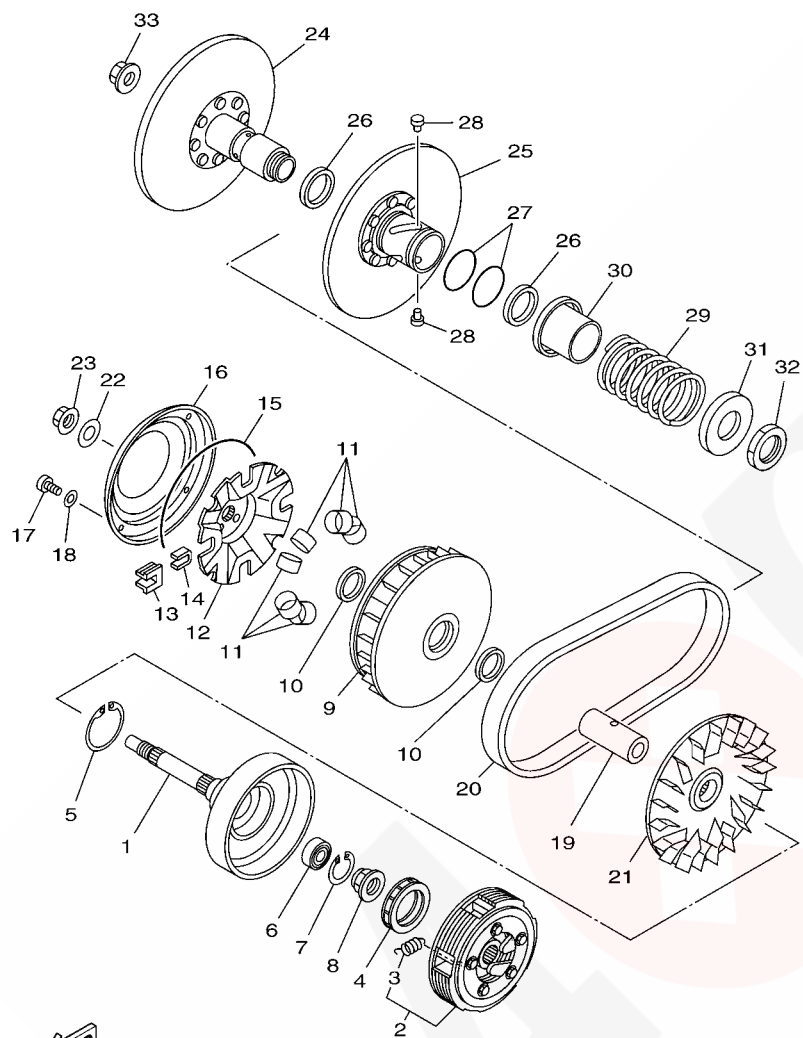
REF. NO.	PART NO.	DESCRIPTION	FRA	GER	OCE	REMARKS
1	5GH-15512-00	GEAR, IDLER 1	1	1	1	
2	4KB-15522-01	SHAFT 2	1	1	1	
3	93310-212R6	BEARING	1	1	1	
4	90201-123K4	WASHER, PLATE	1	1	1	
5	99009-12400	CIRCLIP	1	1	1	
6	5GH-15517-10	GEAR, IDLER 2	1	1	1	
7	90201-25291	WASHER, PLATE	1	1	1	
8	1UY-15590-01	STARTER ONE-WAY ASSY	1	1	1	
9	91317-08016	BOLT	6	6	6	



5GHK110-2150



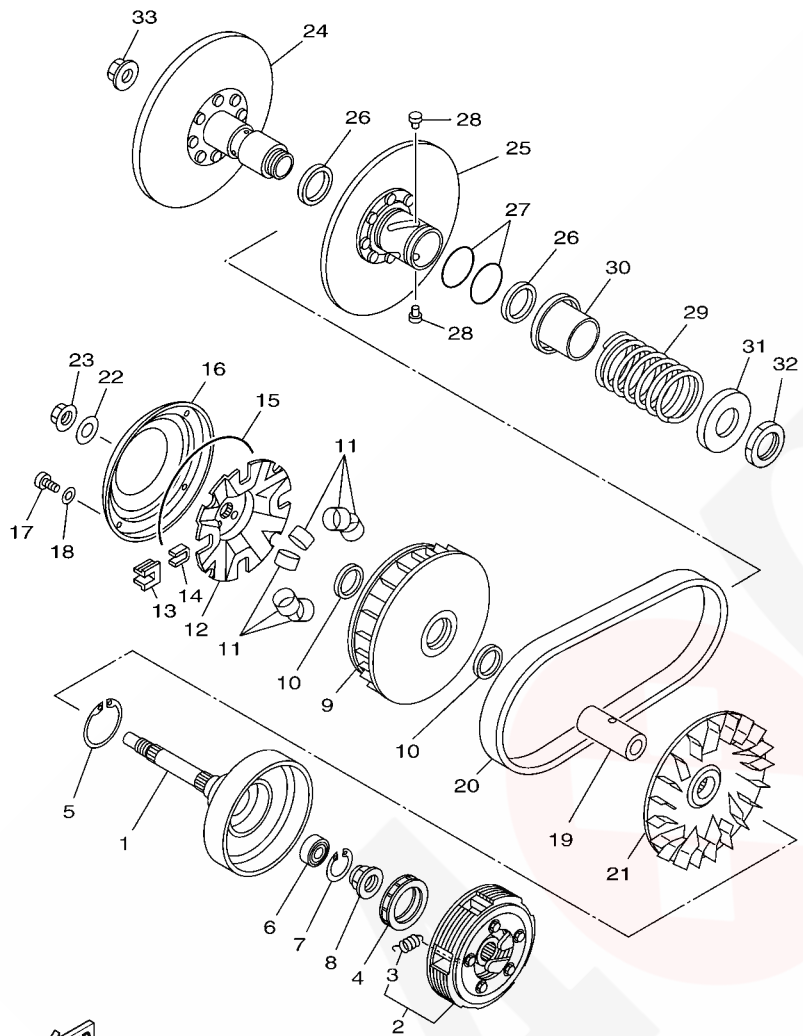
FIG. 16 CLUTCH



**FWD**  
5GH1110-0161

REF. NO.	PART NO.	DESCRIPTION	FRA	GBR	OCE	REMARKS
1	5GH-16611-00	CLUTCH HOUSING COMP.	1	1	1	
2	5GH-16620-00	CLUTCH CARRIER ASSY	1	1	1	
3	5GH-16626-00	.SPRING, CLUTCH WEIGHT 1	5	5	5	
4	5GH-16664-00	BEARING, ONE WAY	1	1	1	
5	93410-46079	CIRCLIP	1	1	1	
6	93315-21813	BEARING	1	1	1	
7	93450-24062	CIRCLIP	1	1	1	
8	90179-22005	NUT	1	1	1	
9	5GH-17620-00	PRIMARY SLIDING SHEAVE COMP.	1	1	1	
10	93101-31167	OIL SEAL	2	2	2	
11	5GH-17632-00	WEIGHT	8	8	8	
12	5GH-17623-00	CAM	1	1	1	
13	4WV-17653-00	SLIDER	4	4	4	
14	4WV-17654-01	SPACER 1	4	4	4	
15	93211-52001	O-RING	1	1	1	
16	5GH-17639-00	STOPPER	1	1	1	
17	90157-04088	SCREW, PAN HEAD	4	4	4	
18	90201-047R9	WASHER, PLATE	4	4	4	
19	90387-1914K	COLLAR	1	1	1	
20	5GH-17641-00	V-BELT	1	1	1	
21	5GH-17611-00	SHEAVE, PRIMARY FIXED	1	1	1	
22	90201-190T7	WASHER, PLATE	1	1	1	
23	90179-16690	NUT	1	1	1	
24	5GH-17660-00	SECONDARY FIXED SHEAVE COMP.	1	1	1	
25	5GH-17670-00	SECONDARY SLIDING SHEAVE	1	1	1	
26	93104-41119	OIL SEAL	2	2	2	
27	93210-44545	O-RING	2	2	2	

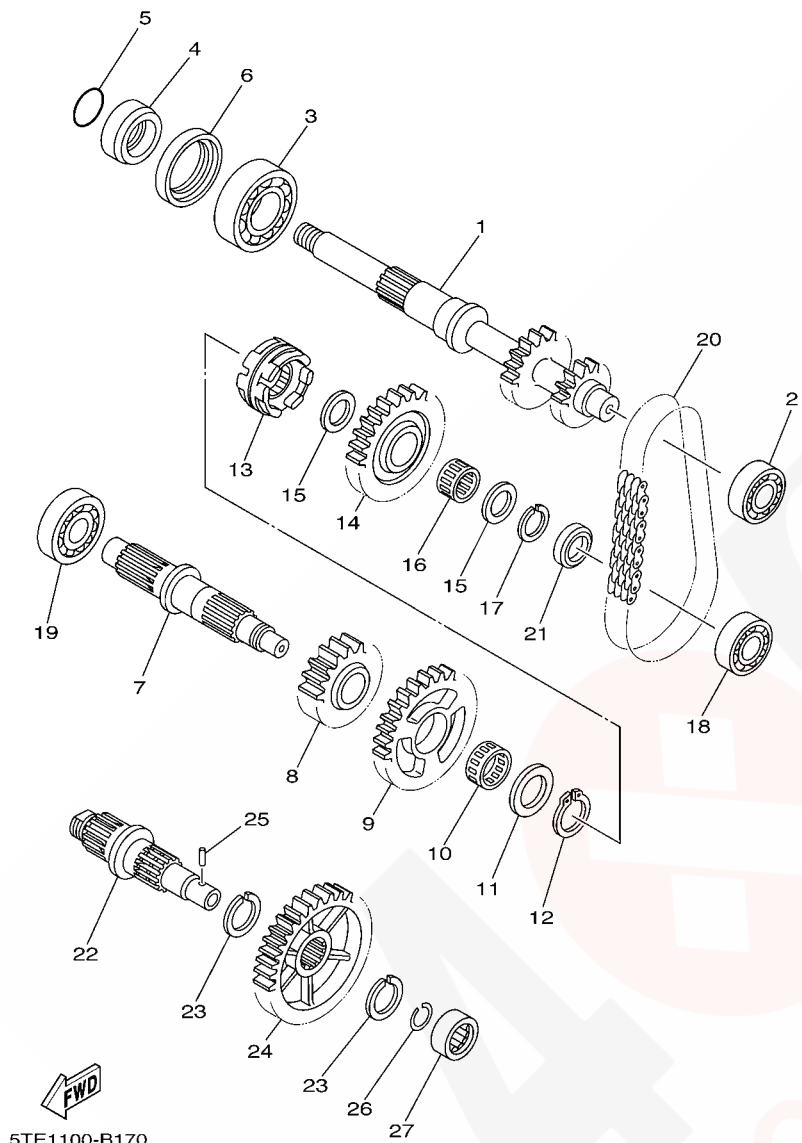
FIG. 16 CLUTCH



5GH1110-0161

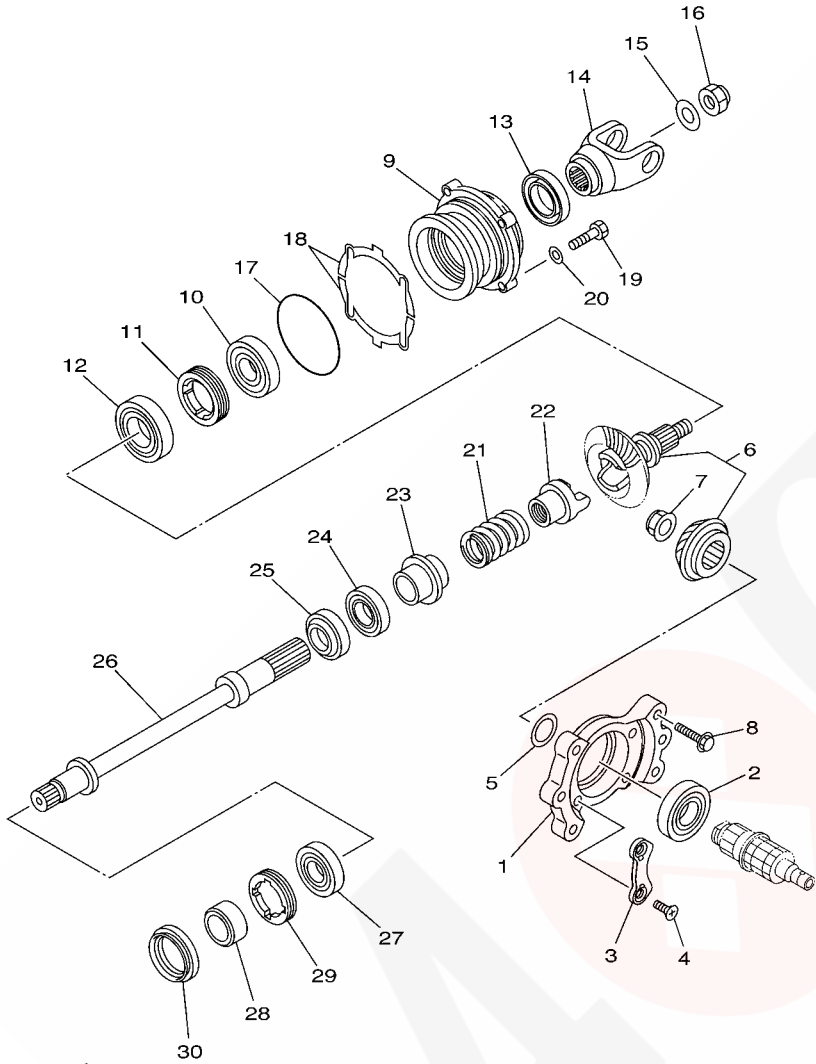
REF. NO.	PART NO.	DESCRIPTION	FRA	GBR	OCE	REMARKS
28	4CW-17664-00	PIN, GUIDE	4	4	4	
29	90501-626L9	SPRING, COMPRESSION	1	1	1	
30	4WV-17684-00	SEAT, SECONDARY SPRING	1	1	1	
31	4WV-17644-00	SEAT,SPRING	1	1	1	
32	90170-36279	NUT	1	1	1	
33	90179-16690	NUT	1	1	1	

FIG. 17 TRANSMISSION



5TE1100-B170

REF. NO.	PART NO.	DESCRIPTION	FRA	GBR	OCE	REMARKS
1	5TE-17681-00	SHAFT, SECONDARY	1	1	1	
2	93306-00415	BEARING (B6004)	1	1	1	
3	93306-20601	BEARING (B6206C3)	1	1	1	
4	90387-26001	COLLAR	1	1	1	
5	93210-26001	O-RING	1	1	1	
6	93102-42004	OIL SEAL	1	1	1	
7	5TE-17402-00	DRIVE AXLE ASSY	1	1	1	
8	5GH-17582-00	GEAR, MIDDLE DRIVE(24T)	1	1	1	
9	5GH-17223-00	GEAR, HIGH WHEEL(38T)	1	1	1	
10	93310-32590	BEARING	1	1	1	
11	90201-250R9	WASHER, PLATE	1	1	1	
12	93440-25084	CIRCLIP	1	1	1	
13	5GT-17285-00	CLUTCH, DOG	1	1	1	
14	5GH-17453-10	SPROCKET, DRIVEN(29T)	1	1	1	
15	90201-20278	WASHER, PLATE	2	2	2	
16	93310-420F2	BEARING	1	1	1	
17	93410-20038	CIRCLIP	1	1	1	
18	93306-30201	BEARING (B6302)	1	1	1	
19	93306-20464	BEARING	1	1	1	
20	94591-54038	CHAIN(23RH302-38 ASM)	1	1	1	
21	5TE-17158-00	COLLAR 1	1	1	1	
22	5GT-17523-00	SHAFT	1	1	1	
23	93440-25084	CIRCLIP	2	2	2	
24	5GH-17583-00	GEAR, MIDDLE DRIVEN(39T)	1	1	1	
25	93603-14240	PIN, DOWEL	1	1	1	
26	93440-14155	CIRCLIP	1	1	1	
27	93311-42077	BEARING	1	1	1	

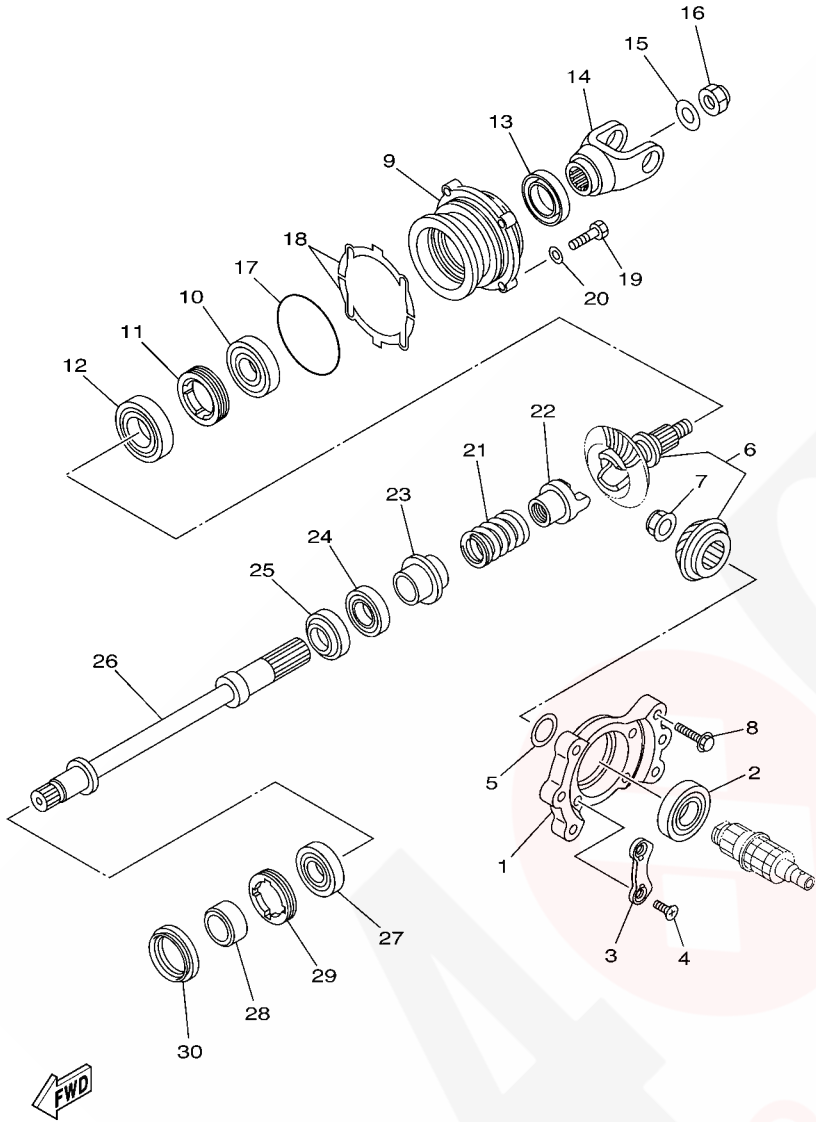


5GHK110-2180

FIG. 18 MIDDLE DRIVE GEAR

REF. NO.	PART NO.	DESCRIPTION	FRA	GBR	OC	REMARKS
1	5GH-17521-00	HOUSING, BEARING	1	1	1	
2	93306-20622	BEARING	1	1	1	
3	11H-15383-02	PLATE, BEARING COVER	2	2	2	
4	90149-08152	SCREW	4	4	4	
5	52G-17531-01	SHIM, PINION (0.1T)	1	1	1	UR
52G-17531-11	SHIM, PINION (0.15T)	1	1	1	UR	
52G-17531-21	SHIM, PINION (0.2T)	1	1	1	UR	
52G-17531-31	SHIM, PINION (0.3T)	1	1	1	UR	
52G-17531-41	SHIM, PINION (0.4T)	1	1	1	UR	
52G-17531-51	SHIM, PINION (0.5T)	1	1	1	UR	
6	4WV-Y1754-00	MIDDLE GEAR COMP.	1	1	1	
7	90179-22526	NUT	1	1	1	
8	95817-08030	BOLT, FLANGE	6	6	6	
9	5GH-17551-00	HOUSING, BEARING	1	1	1	
10	93306-30538	BEARING	1	1	1	
11	90179-65305	NUT	1	1	1	
12	93306-20715	BEARING	1	1	1	
13	93101-35097	OIL SEAL	1	1	1	
14	5GH-17556-01	YOKE, JOINT	1	1	1	
15	90201-14633	WASHER, PLATE	1	1	1	
16	90185-14070	NUT, SELF-LOCKING	1	1	1	
17	93210-78544	O-RING	1	1	1	
18	5GH-17531-00	SHIM, PINION (0.1T)	2	2	2	UR
5GH-17531-10	SHIM, PINION (0.15T)	2	2	2	UR	
5GH-17531-20	SHIM, PINION (0.2T)	2	2	2	UR	
5GH-17531-30	SHIM, PINION (0.3T)	2	2	2	UR	
5GH-17531-40	SHIM, PINION (0.4T)	2	2	2	UR	

C10



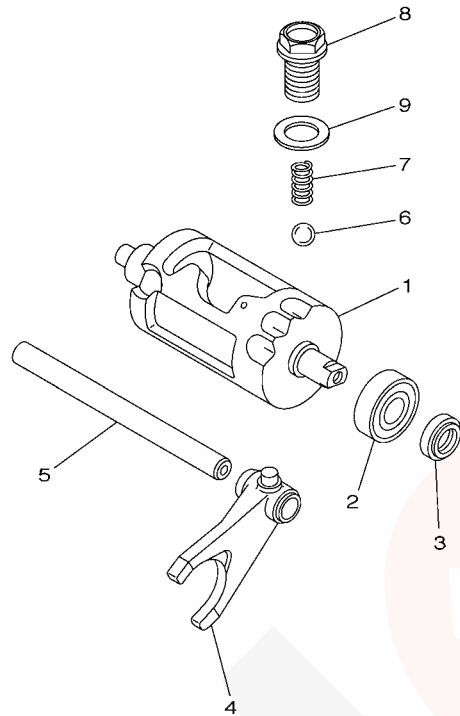
5GHK110-2180

FIG. 18 MIDDLE DRIVE GEAR

REF. NO.	PART NO.	DESCRIPTION	FRA	GBR	OCE	REMARKS
18	5GH-17531-50	SHIM, PINION (0.5T)	2	2	2	UR
	5GH-17531-60	SHIM, PINION (0.6T)	2	2	2	UR
19	97027-08030	BOLT	4	4	4	
20	92907-08600	WASHER, PLATE	4	4	4	
21	90501-650L5	SPRING, COMPRESSION	1	1	1	
22	4VR-17527-00	CAM, DRIVEN	1	1	1	
23	5GH-17585-00	COLLAR, GEAR	1	1	1	
24	93306-00612	BEARING	1	1	1	
25	93102-30170	OIL SEAL	1	1	1	
26	5GH-1761A-00	SHAFT, 1	1	1	1	
27	93306-20582	BEARING (62052RSC3)	1	1	1	
28	90387-252R2	COLLAR	1	1	1	
29	90179-55660	NUT	1	1	1	
30	93102-35380	OIL SEAL	1	1	1	

C11

**FIG. 19 SHIFT CAM & FORK**

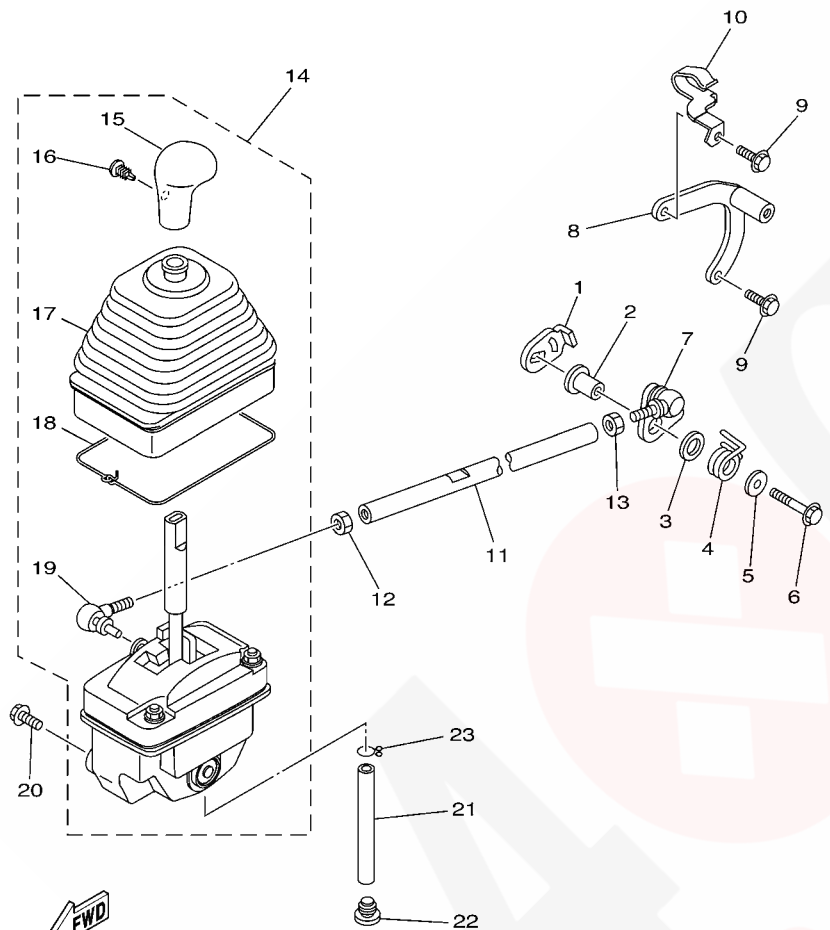


REF. NO.	PART NO.	DESCRIPTION	FRA	GER	OCE	REMARKS
1	5TE-18541-00	CAM, SHIFT	1	1	1	
2	93306-00208	BEARING	1	1	1	
3	93102-15212	OIL SEAL	1	1	1	
4	5GH-18511-00	FORK, SHIFT 1	1	1	1	
5	4KB-18531-01	BAR, SHIFT FORK GUIDE 1	1	1	1	
6	93503-08007	BALL	1	1	1	
7	90501-10353	SPRING, COMPRESSION	1	1	1	
8	90105-14367	BOLT, FLANGE	1	1	1	
9	90430-14042	GASKET	1	1	1	



5TE1100-B190

FIG. 20 SHIFT SHAFT



5TE1100-B200

REF. NO.	PART NO.	DESCRIPTION	FRA	GBR	OCF	REMARKS
1	4SH-18198-00	LEVER	1	1	1	
2	90387-0613B	COLLAR	1	1	1	
3	90201-132G5	WASHER, PLATE	1	1	1	
4	90508-35012	SPRING, TORSION	1	1	1	
5	90201-06008	WASHER, PLATE	1	1	1	
6	95817-06035	BOLT, FLANGE	1	1	1	
7	5TE-18191-00	LEVER	1	1	1	
8	5TE-18128-00	BRACKET	1	1	1	
9	95027-06016	BOLT, FLANGE	2	2	2	
10	90465-08336	CLAMP	1	1	1	
11	5TE-18115-00	ROD, SHIFT	1	1	1	
12	90170-08358	NUT	1	1	1	
13	95307-08700	NUT	1	1	1	
14	5TE-18300-00	SHIFTER ASSY	1	1	1	
15	5TE-18174-00	.KNOB, SHIFT LEVER	1	1	1	
16	90269-05055	.RIVET	1	1	1	
17	5GH-18131-00	.BOOT, SEALING	1	1	1	
18	5GH-18617-00	.STOPPER,RUBBER	1	1	1	
19	1KT-18157-00	.JOINT 2	1	1	1	
20	95807-08020	BOLT, FLANGE	3	3	3	
21	90446-16001	HOSE (L90)	1	1	1	
22	5ND-E4191-00	PLUG, DRAIN	1	1	1	(YMUS)
23	90467-15012	CLIP	1	1	1	

C13

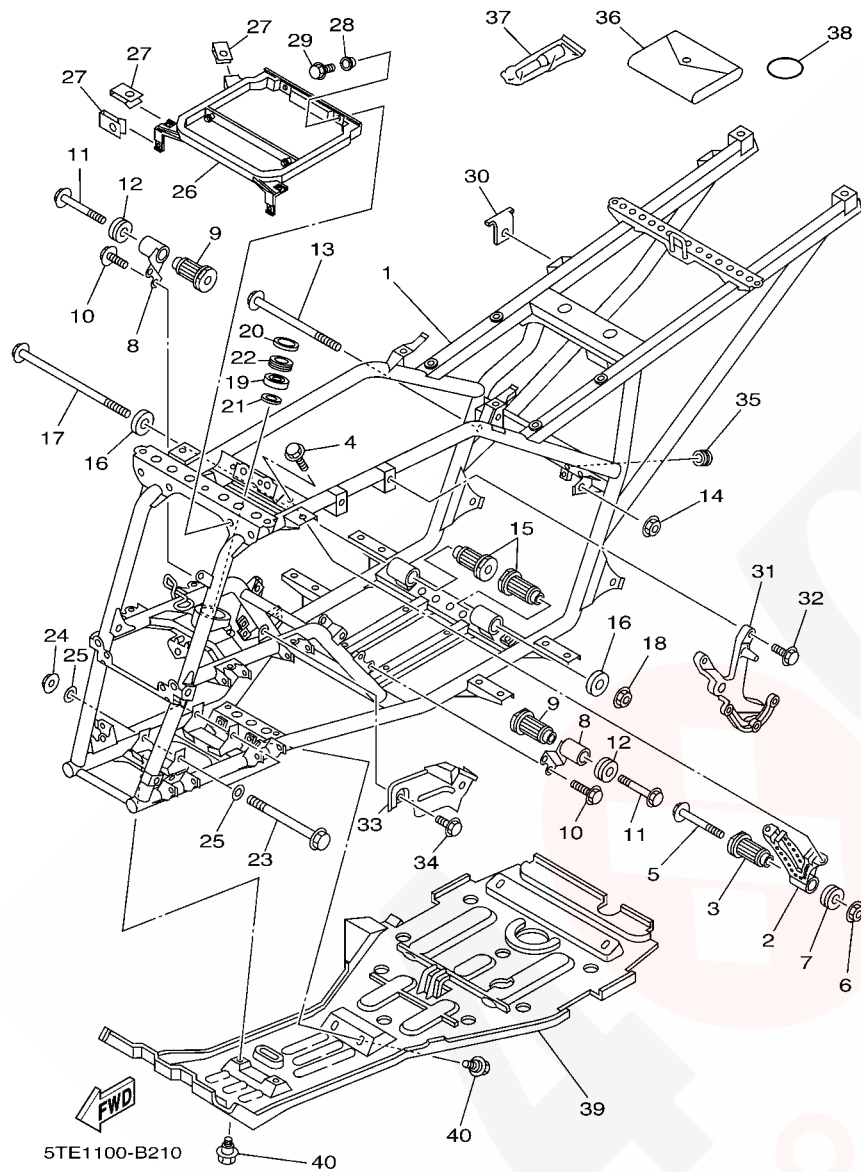


FIG. 21 FRAME

REF. NO.	PART NO.	DESCRIPTION	FRA	GBR	OCE	REMARKS
1	5TE-F1110-00	FRAME COMP.	1	1	1	(YMUS)
2	5ND-F1315-00	STAY, ENGINE 2	1	1	1	(YMUS)
3	5ND-E5336-00	DAMPER, ENGINE MOUNT 3	1	1	1	(YMUS)
4	9581P-08012	BOLT, FLANGE	2	2	2	(YMUS)
5	95817-10110	BOLT, FLANGE	1	1	1	
6	95607-10200	NUT, SELF-LOCKING	1	1	1	
7	5ND-F1486-00	DAMPER 2	1	1	1	(YMUS)
8	5ND-F1316-00	STAY, ENGINE 3	2	2	2	(YMUS)
9	5ND-E5336-00	DAMPER, ENGINE MOUNT 3	2	2	2	(YMUS)
10	9581P-08012	BOLT, FLANGE	4	4	4	(YMUS)
11	95817-10080	BOLT, FLANGE	2	2	2	
12	5ND-F1486-00	DAMPER 2	2	2	2	(YMUS)
13	90105-10055	BOLT, FLANGE	1	1	1	
14	95607-10200	NUT, SELF-LOCKING	1	1	1	
15	5ND-E5336-00	DAMPER, ENGINE MOUNT 3	2	2	2	(YMUS)
16	5ND-F1488-00	DAMPER	2	2	2	(YMUS)
17	90105-10055	BOLT, FLANGE	1	1	1	
18	95607-10200	NUT, SELF-LOCKING	1	1	1	
19	93306-203YN	BEARING	1	1	1	(YMUS)
20	93102-25081	OIL SEAL	1	1	1	
21	93102-25099	OIL SEAL	1	1	1	
22	2GU-23872-00	HOLDER, BEARING	1	1	1	
23	90105-10051	BOLT, FLANGE	2	2	2	
24	95607-10200	NUT, SELF-LOCKING	2	2	2	
25	90201-101J1	WASHER, PLATE	4	4	4	
26	5ND-F1513-00	STAY, FENDER 1	1	1	1	(YMUS)
27	90183-06053	NUT, SPRING	4	4	4	



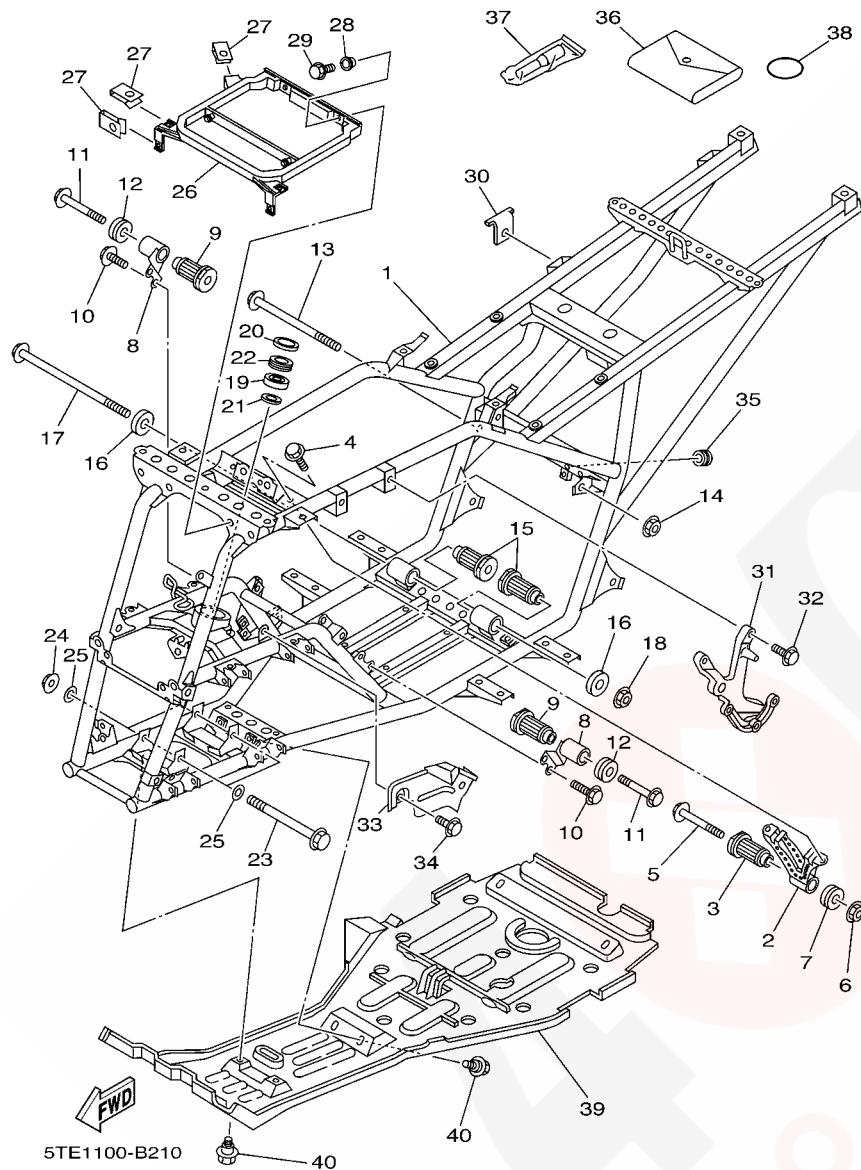
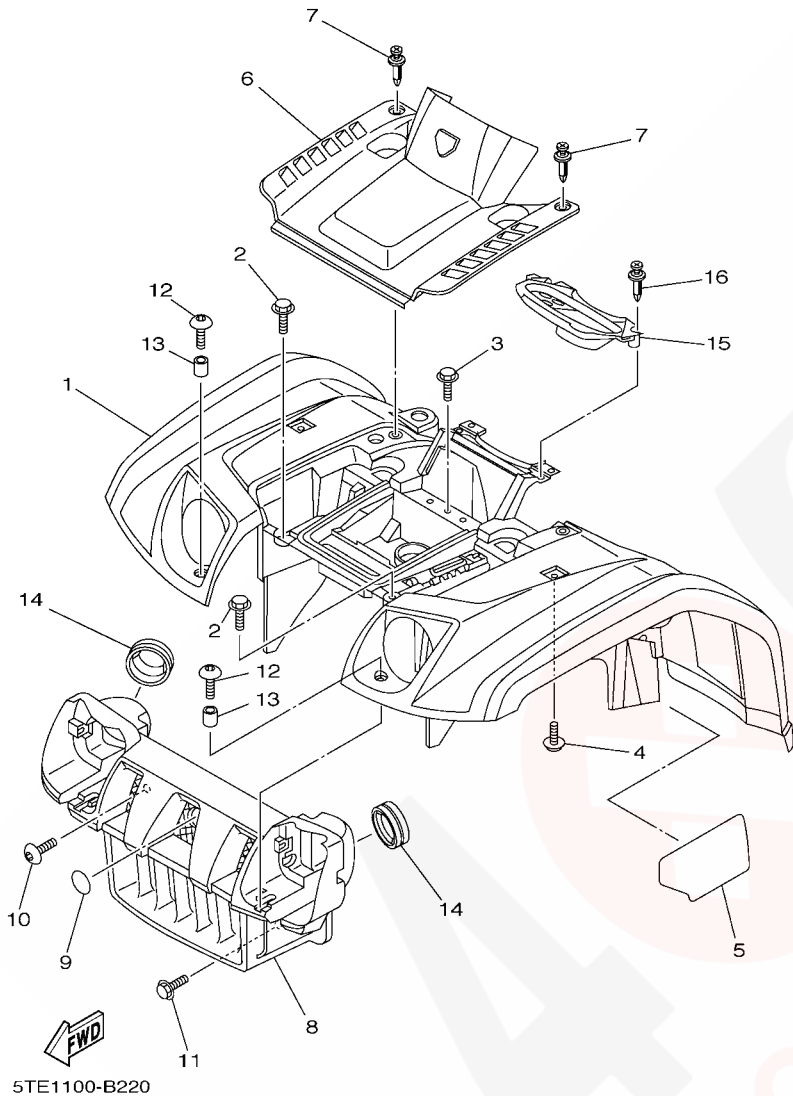


FIG. 21 FRAME

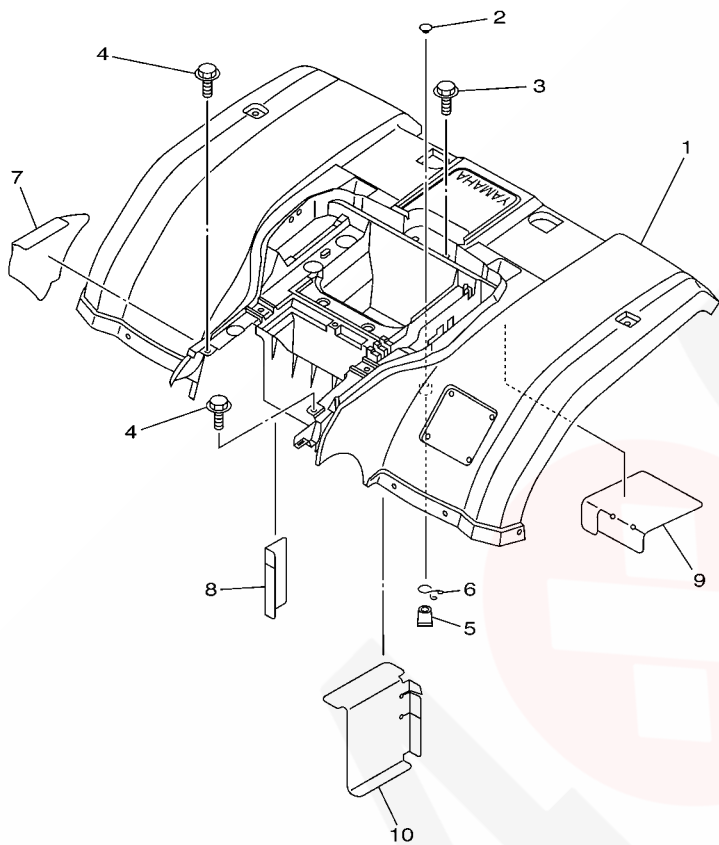
REF. NO.	PART NO.	DESCRIPTION	FRA	GBR	OCE	REMARKS
28	90387-06681	COLLAR	2	2	2	
29	95817-06012	BOLT, FLANGE	2	2	2	
30	5ND-F1446-00	STAY, MUFFLER 2	1	1	1	(YMUS)
31	5ND-F1585-00	ARM	1	1	1	(YMUS)
32	95827-08020	BOLT, FLANGE	2	2	2	
33	5ND-F2825-00	PROTECTOR 1	1	1	1	(YMUS)
34	95817-06010	BOLT, FLANGE	2	2	2	
35	90480-10517	GROMMET	1	1	1	
36	5ND-F8100-00	TOOL KIT	1	1	1	(YMUS)
37	1NV-2811A-01	GAUGE, AIR	1	1	1	
38	93210-64297	O-RING	1	1	1	
39	5ND-F147A-00	GUARD, ENGINE 1	1	1	1	(YMUS)
40	90109-063F1	BOLT	8	8	8	

FIG. 22 FRONT FENDER



REF. NO.	PART NO.	DESCRIPTION	FRA	GBR	OCE	REMARKS
1	5ND-F1500-50	FRONT FENDER ASSY	1	1		FOR RTR (YMUS)
	5ND-F1500-60	FRONT FENDER ASSY	1	1		FOR PDG (YMUS)
	5ND-F1500-70	FRONT FENDER ASSY	1	1		FOR DPBSE (YMUS)
	5ND-F1500-80	FRONT FENDER ASSY			1	FOR DPBSE (YMUS)
2	90119-06060	BOLT, WITH WASHER	2	2	2	
3	90119-06060	BOLT, WITH WASHER	1	1	1	
4	90119-06060	BOLT, WITH WASHER	2	2	2	
5	5ND-F1575-00	SEAL 1	1	1	1	(YMUS)
6	5ND-F3391-00	PANEL, FRONT	1	1	1	(YMUS)
7	90269-06800	RIVET	2	2	2	(YMUS)
8	5ND-F8309-10	GRILLE, FRONT	1	1		(YMUS)
	5ND-F8309-00	GRILLE, FRONT			1	(YMUS)
9	5FU-F175B-01	TUNING FORK MARK	1	1	1	(YMUS)
10	90110-06007	BOLT, HEXAGON SOCKET HEAD	2	2	2	
11	90119-06060	BOLT, WITH WASHER	2	2	2	
12	90110-06202	BOLT, HEXAGON SOCKET HEAD	2	2	2	
13	90387-067V1	COLLAR	2	2	2	
14	5GH-28349-00	CAP	2	2	2	
15	5TE-F837L-00	PANEL, CONSOLE 1	1	1	1	(YMUS)
16	90269-06800	RIVET	4	4	4	(YMUS)

**FIG. 23 REAR FENDER**

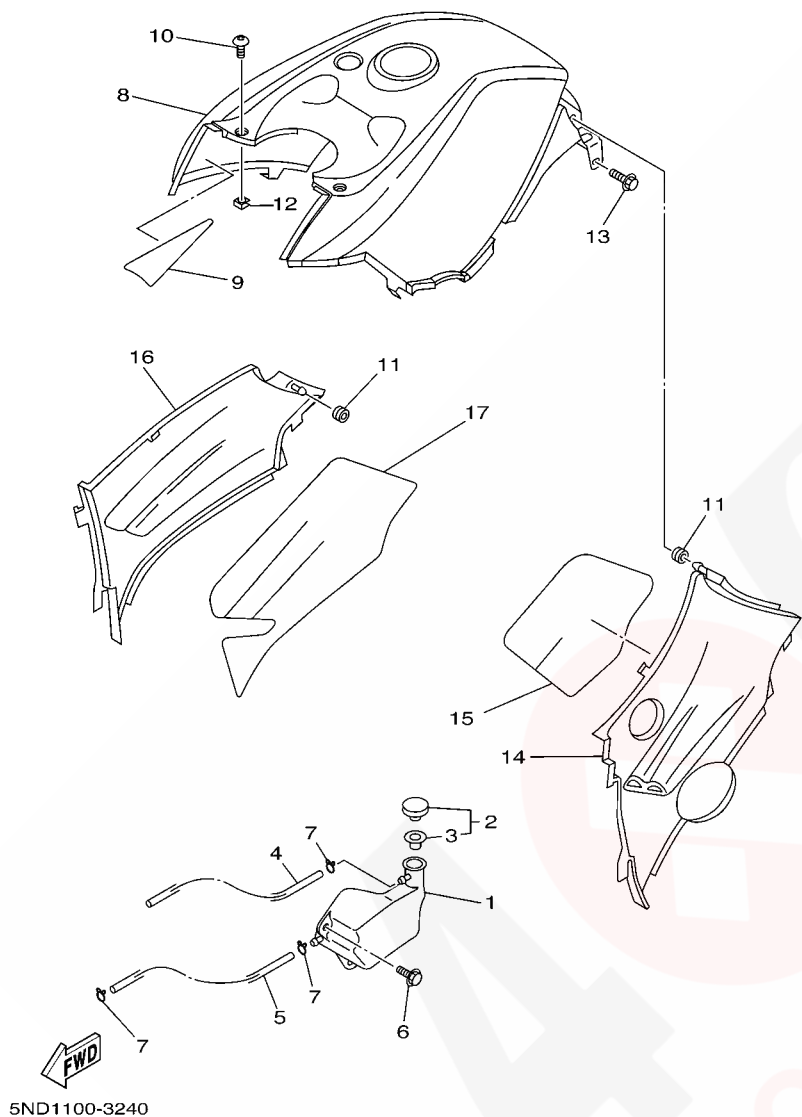


REF. NO.	PART NO.	DESCRIPTION	FRA	GBR	OCE	REMARKS
1	5ND-F1600-50	REAR FENDER ASSY	1	1		FOR RTR (YMUS)
	5ND-F1600-60	REAR FENDER ASSY	1	1		FOR PDG (YMUS)
	5ND-F1600-70	REAR FENDER ASSY	1	1		FOR DPBSE (YMUS)
	5ND-F1600-30	REAR FENDER ASSY			1	FOR DPBSE (YMUS)
2	90338-09801	PLUG	1	1	1	(YMUS)
3	90119-06060	BOLT, WITH WASHER	3	3	3	
4	90119-06227	BOLT, WITH WASHER	2	2	2	
5	5BF-1443E-00	PIPE, DRAIN	1	1	1	
6	90467-16195	CLIP	1	1	1	
7	5ND-F163A-00	COVER, REAR FENDER 1	1	1	1	(YMUS)
8	5ND-F163E-00	COVER, REAR FENDER 2	1	1	1	(YMUS)
9	5ND-F1652-00	PROTECTOR	1	1	1	(YMUS)
10	5ND-F163F-00	COVER, REAR FENDER 3	1	1	1	(YMUS)



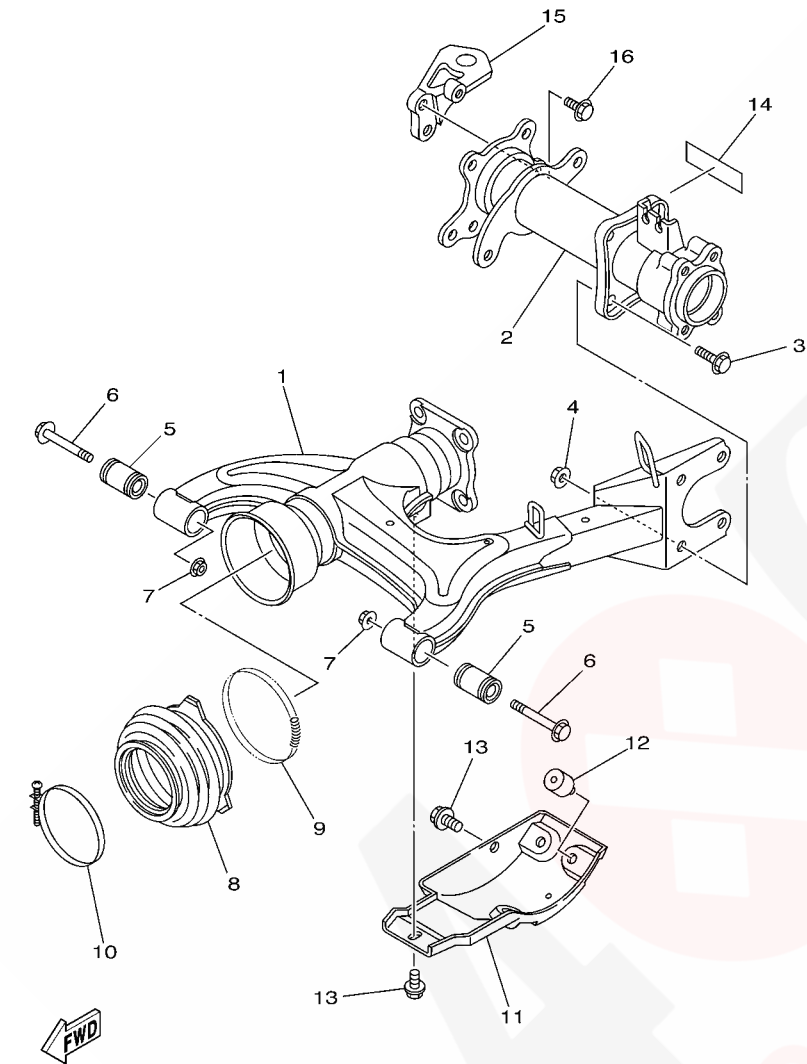
5ND1100-3230

FIG. 24 SIDE COVER



REF. NO.	PART NO.	DESCRIPTION	FRA	GBR	OCE	REMARKS
1	5ND-F1871-00	TANK, RECOVERY	1	1	1	(YMUS)
2	1AA-21815-00	CAP	1	1	1	
3	1AA-21874-00	.GASKET	1	1	1	
4	90445-08811	HOSE (L1020)	1	1	1	(YMUS)
5	90445-08812	HOSE (L730)	1	1	1	(YMUS)
6	90119-06060	BOLT, WITH WASHER	2	2	2	
7	90467-08003	CLIP	3	3	3	
8	5ND-F171A-00	COVER, TOP	1	1		FOR RTR (YMUS)
	5ND-F171A-10	COVER, TOP	1	1		FOR PDG (YMUS)
	5ND-F171A-30	COVER, TOP	1	1	1	FOR DPBSE (YMUS)
9	5ND-F174M-00	CLOTH, PROTECTOR	1	1	1	(YMUS)
10	90110-05201	BOLT, HEXAGON SOCKET HEAD	2	2	2	
11	90480-13567	GROMMET	2	2	2	
12	90183-05024	NUT, SPRING	2	2	2	
13	90119-06079	BOLT, WITH WASHER	2	2	2	
14	5ND-F1711-00	COVER, SIDE 1	1	1	1	(YMUS)
15	5ND-F174A-00	INSULATOR, SIDE COVER	1	1	1	(YMUS)
16	5ND-F1721-00	COVER, SIDE 2	1	1	1	(YMUS)
17	5ND-F174T-00	INSULATOR, SIDE COVER 2	1	1	1	(YMUS)

FIG. 25 REAR ARM



5TE1110-B250

REF. NO.	PART NO.	DESCRIPTION	FRA	GBR	OCE	REMARKS
1	5ND-F2110-00	REAR ARM COMP.	1	1	1	(YMUS)
2	5TE-G6540-00	REAR AXLE HOUSING COMP.	1	1	1	(YMUS)
3	9581P-10020	BOLT, FLANGE	4	4	4	(YMUS)
4	95707-10500	NUT, FLANGE	4	4	4	
5	5ND-F2123-00	BUSH 1	2	2	2	(YMUS)
6	90105-12660	BOLT, FLANGE	2	2	2	
7	95607-12200	NUT, SELF-LOCKING	2	2	2	
8	5ND-F2189-00	BOOT, RUBBER	1	1	1	(YMUS)
9	90506-07135	SPRING, TENSION	1	1	1	
10	90460-85277	CLAMP, HOSE	1	1	1	
11	4XE-F219X-00	COVER	1	1	1	(YMUS)
12	109-27114-00	STOPPER, MAIN STAND	3	3	3	
13	95807-08012	BOLT, FLANGE	2	2	2	
14	5ND-F151K-00	LABEL 7	1	1	1	ENGLISH (YMUS)
15	5ND-F8488-00	HOOK	1	1		(YMUS)
	5ND-F8488-10	HOOK			1	(YMUS)
16	9581P-10020	BOLT, FLANGE	3	3	3	(YMUS)

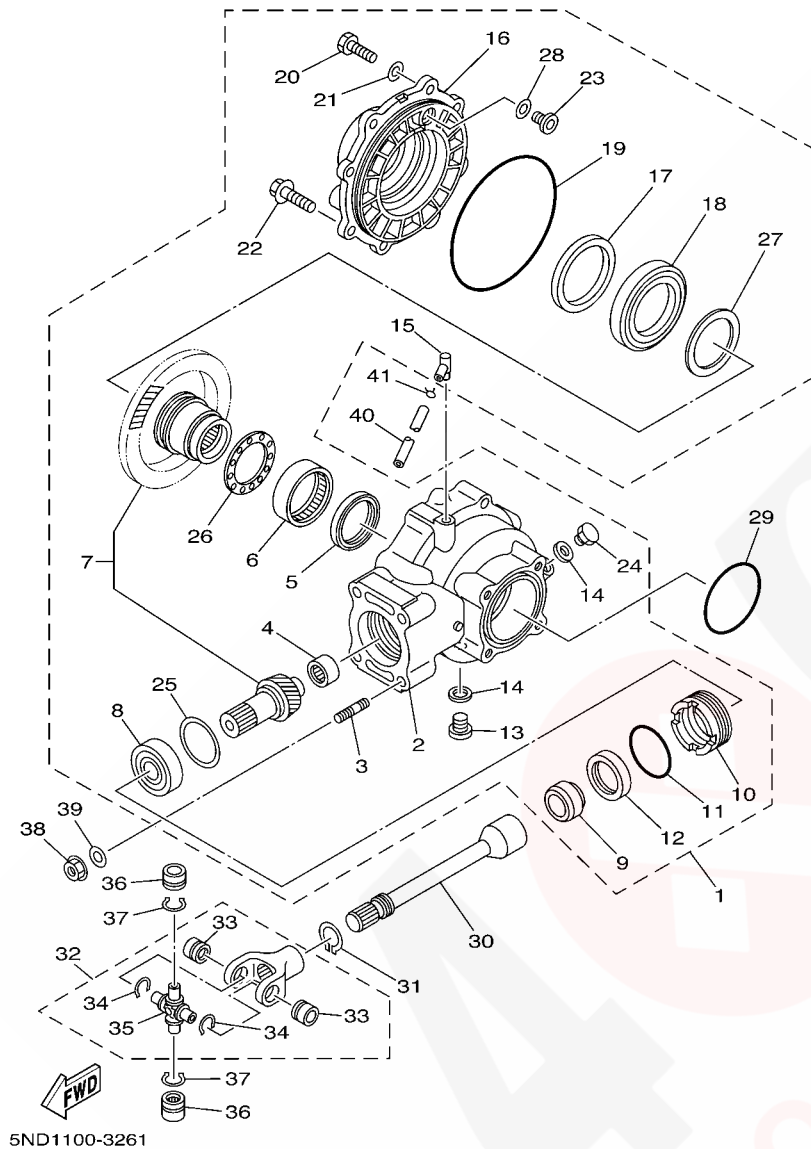


FIG. 26 DRIVE SHAFT

REF. NO.	PART NO.	DESCRIPTION	FRA	GBR	OCE	REMARKS
1	5ND-G6101-00	REAR AXLE GEAR CASE ASSY	1	1	1	(YMUS)
2	5ND-G6151-00	.HOUSING, DRIVE SHAFT	1	1	1	(YMUS)
3	90116-10840	.BOLT, STUD	4	4	4	(YMUS)
4	4XE-G6102-00	.BEARING ASSY	1	1	1	(YMUS)
5	93101-52116	.OIL SEAL	1	1	1	
6	93317-855Y9	.BEARING	1	1	1	(YMUS)
7	5GT-Y4612-00	.RING GEAR SET	1	1	1	
8	93306-305Y6	.BEARING	1	1	1	(YMUS)
9	90387-255H9	.COLLAR	1	1	1	
10	29U-46125-00	.RETAINER, BEARING	1	1	1	
11	93210-59531	.O-RING	1	1	1	
12	93101-38098	.OIL SEAL	1	1	1	
13	90340-14046	.PLUG, STRAIGHT SCREW	1	1	1	
14	214-11198-01	.GASKET	2	2	2	
15	2N4-15371-00	.BREATHER	1	1	1	
16	5ND-G6152-00	.HOUSING, BEARING	1	1	1	(YMUS)
17	93102-65386	.OIL SEAL	1	1	1	
18	93316-013Y0	.BEARING	1	1	1	(YMUS)
19	93211-51749	.O-RING	1	1	1	
20	9702P-08025	.BOLT	6	6	6	(YMUS)
21	9290P-08600	.WASHER	6	6	6	(YMUS)
22	95817-10025	.BOLT, FLANGE	2	2	2	
23	5FU-G6156-00	.STOPPER, RING GEAR	1	1	1	(YMUS)
24	90340-14029	.PLUG, STRAIGHT SCREW	1	1	1	
25	4XE-E7537-15	.SHIM, THRUST(T=0.15MM)	1	1	1	UR (YMUS)
	4XE-E7537-30	.SHIM, THRUST(T=0.30MM)	1	1	1	UR (YMUS)
	4XE-E7537-40	.SHIM, THRUST(T=0.40MM)	1	1	1	UR (YMUS)

D6

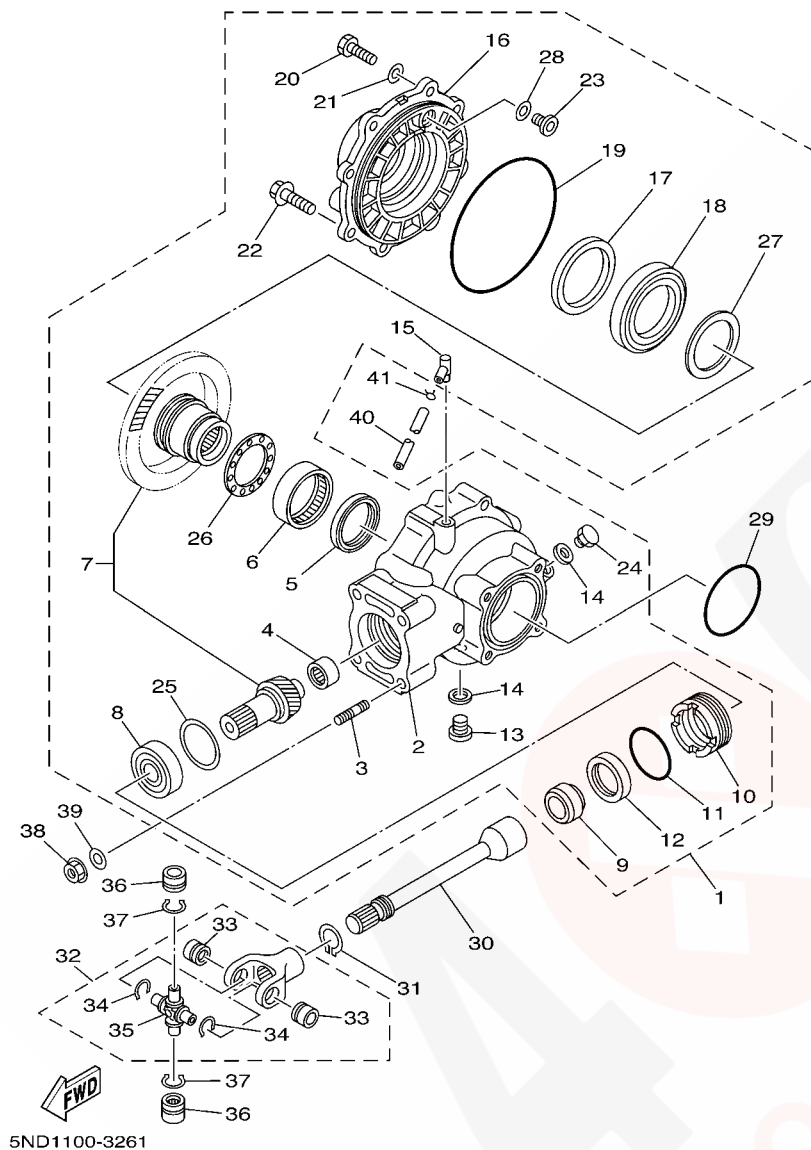


FIG. 26 DRIVE SHAFT

REF. NO.	PART NO.	DESCRIPTION	FRA	GBR	OCE	REMARKS
25	4XE-E7537-45	.SHIM, THRUST(T=0.45MM)	1	1	1	UR (YMUS)
	4XE-E7537-50	.SHIM, THRUST(T=0.50MM)	1	1	1	UR (YMUS)
	4XE-E7537-60	.SHIM, THRUST(T=0.60MM)	1	1	1	UR (YMUS)
26	4XE-G6118-10	.SHIM, THRUST(T=1.0MM)	1	1	1	UR (YMUS)
	4XE-G6118-11	.SHIM, THRUST(T=1.1MM)	1	1	1	UR (YMUS)
	4XE-G6118-12	.SHIM, THRUST(T=1.2MM)	1	1	1	UR (YMUS)
	4XE-G6118-13	.SHIM, THRUST(T=1.3MM)	1	1	1	UR (YMUS)
	4XE-G6118-14	.SHIM, THRUST(T=1.4MM)	1	1	1	UR (YMUS)
	4XE-G6118-15	.SHIM, THRUST(T=1.5MM)	1	1	1	UR (YMUS)
	4XE-G6118-16	.SHIM, THRUST(T=1.6MM)	1	1	1	UR (YMUS)
	4XE-G6118-17	.SHIM, THRUST(T=1.7MM)	1	1	1	UR (YMUS)
	4XE-G6118-18	.SHIM, THRUST(T=1.8MM)	1	1	1	UR (YMUS)
	4XE-G6118-19	.SHIM, THRUST(T=1.9MM)	1	1	1	UR (YMUS)
	4XE-G6118-20	.SHIM, THRUST(T=2.0MM)	1	1	1	UR (YMUS)
	4XE-G6118-21	.SHIM, THRUST(T=2.1MM)	1	1	1	UR (YMUS)
27	4XE-G6117-25	.SHIM, RING GEAR(T=0.25MM)	1	1	1	UR (YMUS)
	4XE-G6117-30	.SHIM, RING GEAR(T=0.30MM)	1	1	1	UR (YMUS)
	4XE-G6117-35	.SHIM, RING GEAR(T=0.35MM)	1	1	1	UR (YMUS)
	4XE-G6117-40	.SHIM, RING GEAR(T=0.40MM)	1	1	1	UR (YMUS)
	4XE-G6117-45	.SHIM, RING GEAR(T=0.45MM)	1	1	1	UR (YMUS)
	4XE-G6117-50	.SHIM, RING GEAR(T=0.50MM)	1	1	1	UR (YMUS)
28	5FU-G6157-10	.SHIM, RING GEAR(T=0.10MM)	1	1	1	UR (YMUS)
	5FU-G6157-15	.SHIM, RING GEAR(T=0.15MM)	1	1	1	UR (YMUS)
	5FU-G6157-20	.SHIM, RING GEAR(T=0.20MM)	1	1	1	UR (YMUS)
	5FU-G6157-30	.SHIM, RING GEAR(T=0.30MM)	1	1	1	UR (YMUS)
	5FU-G6157-40	.SHIM, RING GEAR(T=0.40MM)	1	1	1	UR (YMUS)
	5FU-G6157-50	.SHIM, RING GEAR(T=0.50MM)	1	1	1	UR (YMUS)

D7

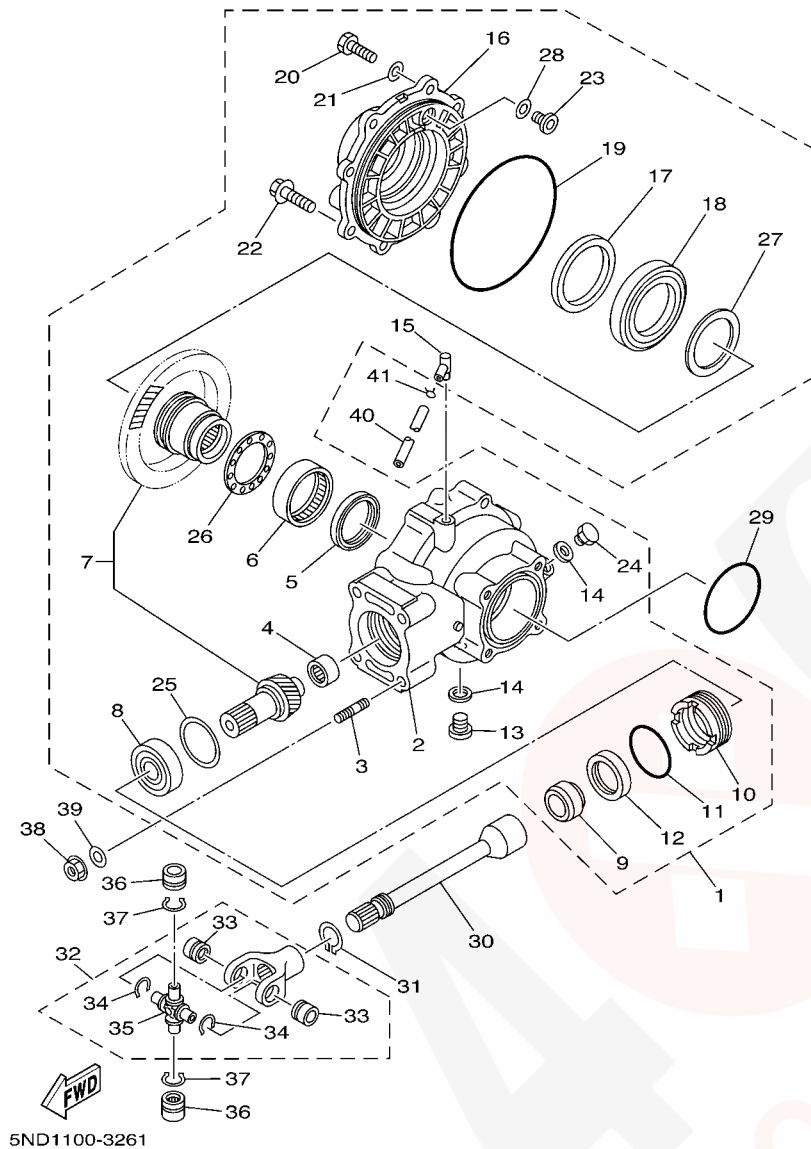


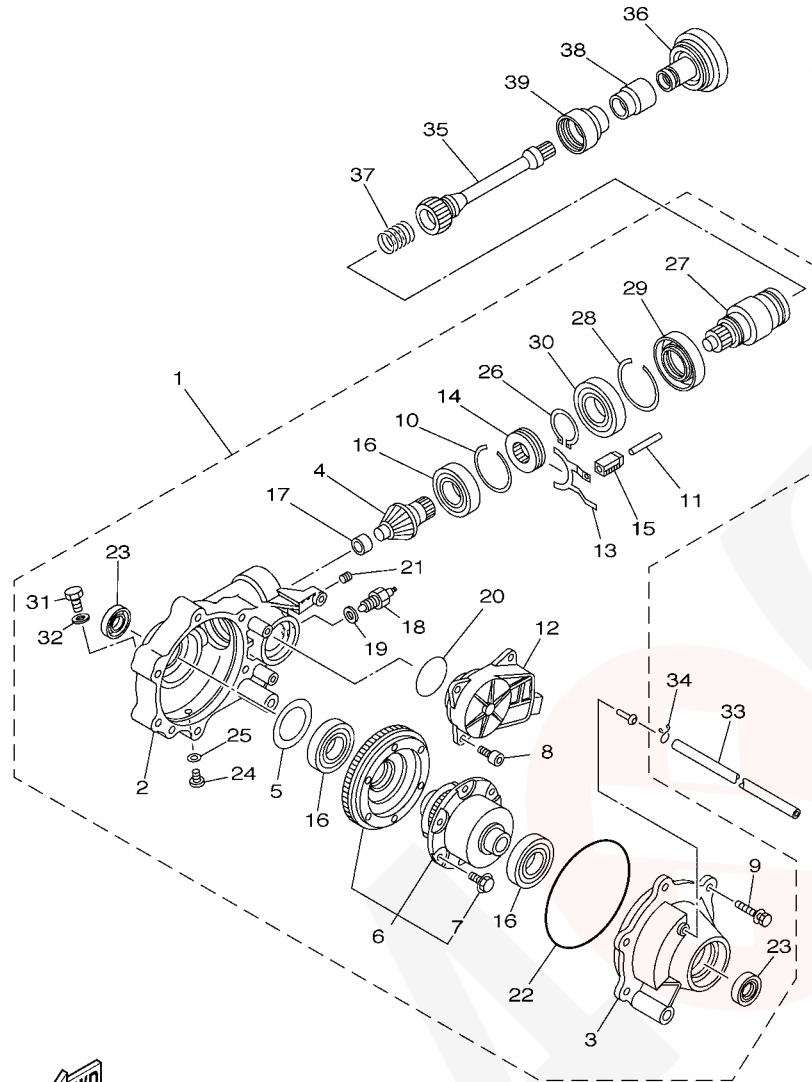
FIG. 26 DRIVE SHAFT

REF. NO.	PART NO.	DESCRIPTION	FRA	GBR	OCE	REMARKS
29	93210-76800	O-RING	1	1	1	
30	5ND-G6172-00	SHAFT, DRIVE	1	1	1	(YMUS)
31	93410-22039	CIRCLIP	1	1	1	
32	3HN-46108-01	CROSS JOINT COMP. 3	1	1	1	
33	93399-99926	.BEARING	2	2	2	
34	93440-20088	.CIRCLIP	2	2	2	
35	2HR-46187-00	.SPIDER	1	1	1	
36	93399-99926	BEARING	2	2	2	
37	93440-20088	CIRCLIP	2	2	2	
38	95707-10500	NUT, FLANGE	4	4	4	
39	90201-108P8	WASHER, PLATE	4	4	4	(YMUS)
40	90445-07810	HOSE (L1050)	1	1	1	(YMUS)
41	90467-07029	CLIP	1	1	1	

D8



FIG. 27 FRONT DIFFERENTIAL



5TE3100-B271

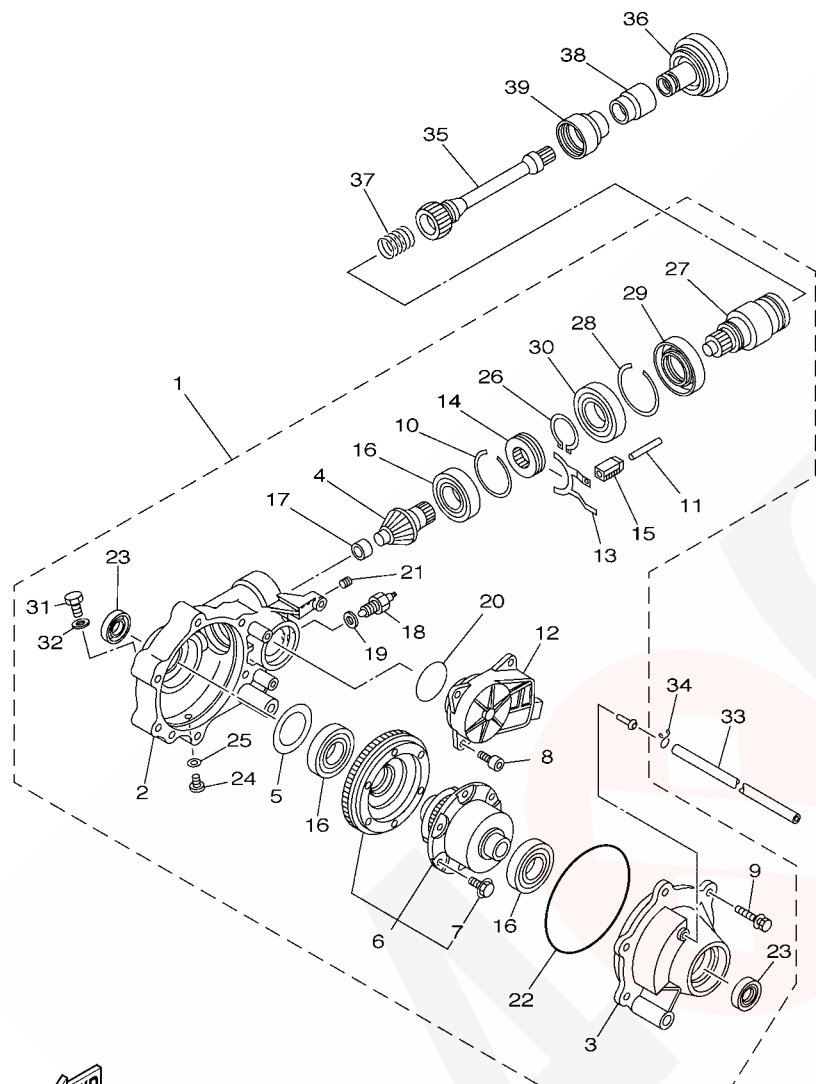
\*1:PREVIOUS  
FRA:TO 501100  
GBR:TO 501100  
OCE:TO 501100

\*2:CURRENT  
FRA:FROM 501101  
GBR:FROM 501101  
OCE:FROM 501101

REF. NO.	PART NO.	DESCRIPTION	FRA	GBR	OCE	REMARKS
1	5GH-46160-02	FRONT AXLE GEAR CASE COMP.	1	1	1	*1
	5GH-46160-03	FRONT AXLE GEAR CASE COMP.	1	1	1	*2
2	5GH-46161-00	.HOUSING, SHAFT DRIVE 2	1	1	1	
3	5GH-46162-00	.HOUSING, BEARING 2	1	1	1	
4	5GH-46141-00	.PINION, DRIVE 2	1	1	1	*1
	5GH-46141-01	.PINION, DRIVE 2	1	1	1	*2
5	4WV-46119-00	.SHIM, THRUST (0.1T)	1	1	1	UR
	4WV-46119-10	.SHIM, THRUST (0.2T)	1	1	1	UR
	4WV-46119-20	.SHIM, THRUST (0.3T)	1	1	1	UR
	4WV-46119-30	.SHIM, THRUST (0.4T)	1	1	1	UR
	4WV-46119-40	.SHIM, THRUST (0.5T)	1	1	1	UR
	4WV-46119-50	.SHIM, THRUST (1.0T)	1	1	1	UR
	4WV-46119-60	.SHIM, THRUST (1.5T)	1	1	1	UR
	4WV-46119-70	.SHIM, THRUST (2.0T)	1	1	1	UR
	4WV-46119-80	.SHIM, THRUST (2.5T)	1	1	1	UR
6	5GH-46470-01	.LIMITED SLIP DIFF. ASSY	1	1	1	*1
	5GH-46470-02	.LIMITED SLIP DIFF. ASSY	1	1	1	*2
7	4WV-46155-00	..BOLT 1	6	6	6	
8	91317-08020	.BOLT	3	3	3	
9	4WV-46159-00	.BOLT 3	6	6	6	
10	4WV-46143-00	.RING,HOLE SNAP 2	1	1	1	
11	5GH-18318-00	.SHAFT, SHIFTER	1	1	1	
12	5GH-4616A-01	.SERVO MOTOR COMP	1	1	1	
13	5GH-18514-00	.FORK, SHIFT 4	1	1	1	
14	4WV-46441-00	.CLUTCH,DRIVEN	1	1	1	
15	5GH-18319-00	.SHAFT 2	1	1	1	
16	4WV-46165-00	.BEARING 2	3	3	3	

D9

FIG. 27 FRONT DIFFERENTIAL



5TE3100-B271

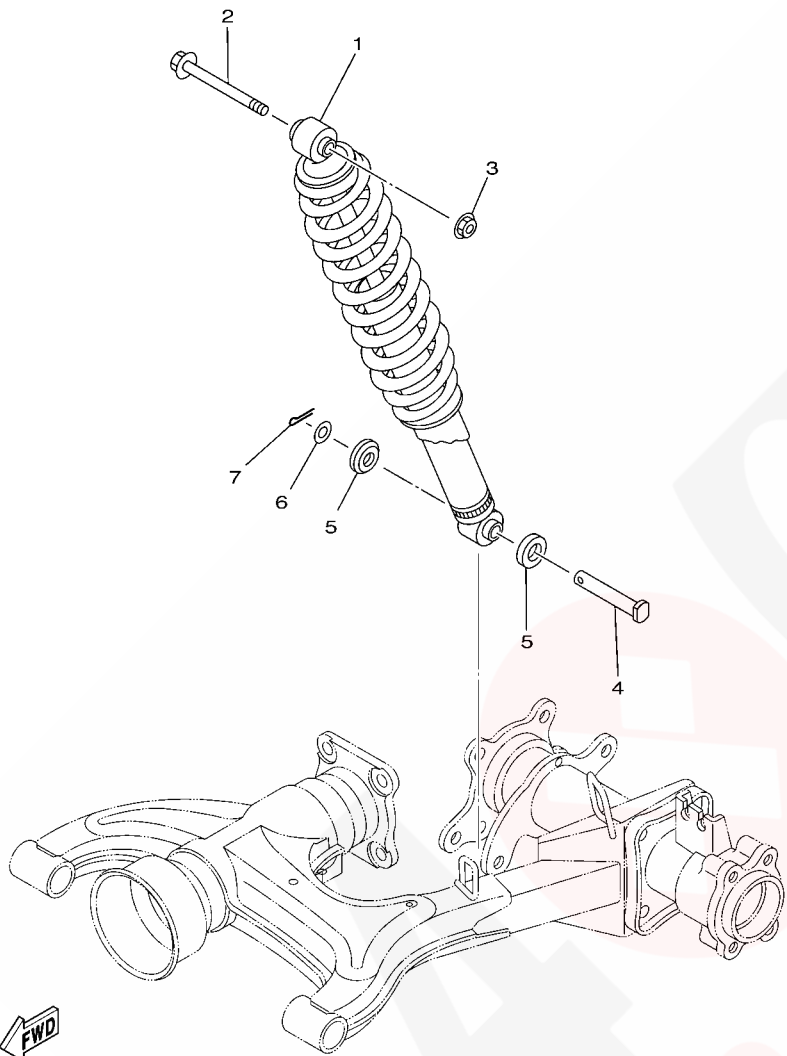
\*1:PREVIOUS  
FRA:TO 501100  
GBR:TO 501100  
OCE:TO 501100

\*2:CURRENT  
FRA:FROM 501101  
GBR:FROM 501101  
OCE:FROM 501101

REF. NO.	PART NO.	DESCRIPTION	FRA	GBR	OCE	REMARKS
17	4WV-46167-00	.BEARING 4	1	1	1	
18	3GD-82540-11	.NEUTRAL SWITCH ASSY	1	1	1	
19	4WV-46132-00	.GASKET 1	1	1	1	
20	93210-50768	.O-RING	1	1	1	
21	90113-08004	.BOLT, SET	1	1	1	
22	93211-40040	.O-RING	1	1	1	
23	93102-24034	.OIL SEAL	2	2	2	
24	90340-10001	.PLUG, STRAIGHT SCREW	1	1	1	
25	90430-10003	.GASKET	1	1	1	
26	93450-44141	.CIRCLIP	1	1	1	
27	5GH-46126-00	.COUPLING	1	1	1	
28	93450-71142	.CIRCLIP	1	1	1	
29	93102-50030	.OIL SEAL	1	1	1	
30	93316-00801	.BEARING	1	1	1	
31	90340-14029	.PLUG, STRAIGHT SCREW	1	1	1	
32	214-11198-01	.GASKET	1	1	1	
33	90445-07809	HOSE (L750)	1	1	1	(YMUS)
34	90467-07029	CLIP	1	1	1	
35	5TE-G6173-00	SHAFT, DRIVE 2	1	1	1	(YMUS)
36	5GH-46123-00	COUPLING, GEAR	1	1	1	
37	90501-296L7	SPRING, COMPRESSION	1	1	1	
38	5GH-46136-00	SEAL 1	1	1	1	
39	5KM-46137-00	SEAL 2	1	1	1	

**D10**

**FIG. 28 REAR SUSPENSION**



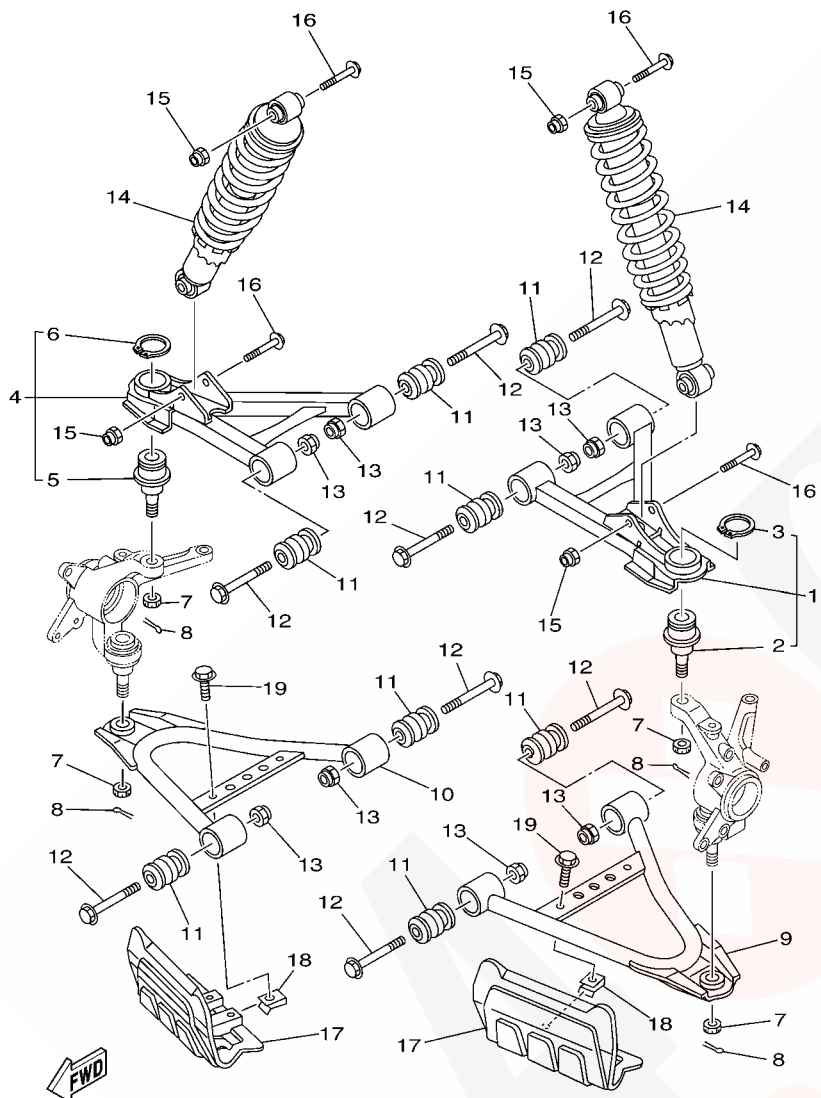
5TE1100-B280



REF. NO.	PART NO.	DESCRIPTION	FRA	GBR	OCE	REMARKS
1	5ND-F2210-00	SHOCK ABSORBER ASSY, REAR	1	1	1	(YMUS)
2	90105-12889	BOLT, FLANGE	1	1	1	(YMUS)
3	90185-12072	NUT, SELF-LOCKING	1	1	1	
4	90240-12092	PIN, CLEVIS	1	1	1	
5	1W1-22128-00	COVER, THRUST 1	2	2	2	
6	90201-127J6	WASHER, PLATE	1	1	1	
7	91401-30025	PIN, COTTER	1	1	1	

**D11**

**FIG. 29 FRONT SUSPENSION & WHEEL**

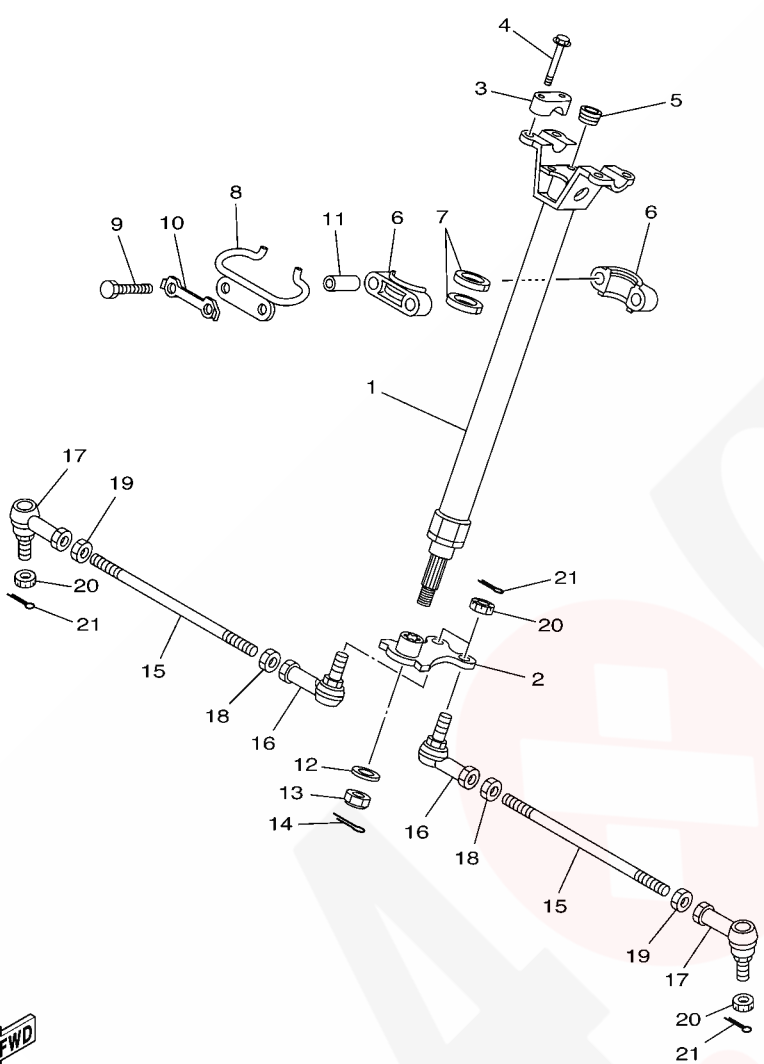


5ND1100-3290

REF. NO.	PART NO.	DESCRIPTION	FRA	GBR	OCE	REMARKS
1	5ND-F3540-00	FRONT UPPER ARM COMP. (LEFT)	1	1	1	(YMUS)
2	5FU-F3549-00	.BALL JOINT 1	1	1	1	(YMUS)
3	93410-32826	.CIRCLIP	1	1	1	
4	5ND-F3550-00	FRONT UPPER ARM COMP. (RIGHT)	1	1	1	(YMUS)
5	5FU-F3549-00	.BALL JOINT 1	1	1	1	(YMUS)
6	93410-32826	.CIRCLIP	1	1	1	
7	90171-12816	NUT, CASTLE	4	4	4	(YMUS)
8	91401-25020	PIN, COTTER	4	4	4	
9	5ND-F357A-00	ARM,FR. LWR. LH.	1	1	1	(YMUS)
10	5ND-F358A-00	ARM,FR. LWR. RH.	1	1	1	(YMUS)
11	2HR-23526-00	BUSH	8	8	8	
12	90105-10890	BOLT, FLANGE	8	8	8	(YMUS)
13	90185-10844	NUT, SELF-LOCKING	8	8	8	(YMUS)
14	5ND-F3350-00	SHOCK ABSORBER ASSY	2	2	2	(YMUS)
15	90185-10844	NUT, SELF-LOCKING	4	4	4	(YMUS)
16	90105-108B1	BOLT, FLANGE	4	4	4	(YMUS)
17	5ND-F3123-00	COVER, LOWER 1	2	2	2	(YMUS)
18	90183-06053	NUT, SPRING	2	2	2	
19	95807-06012	BOLT, FLANGE	2	2	2	

**D12**

FIG. 30 STEERING

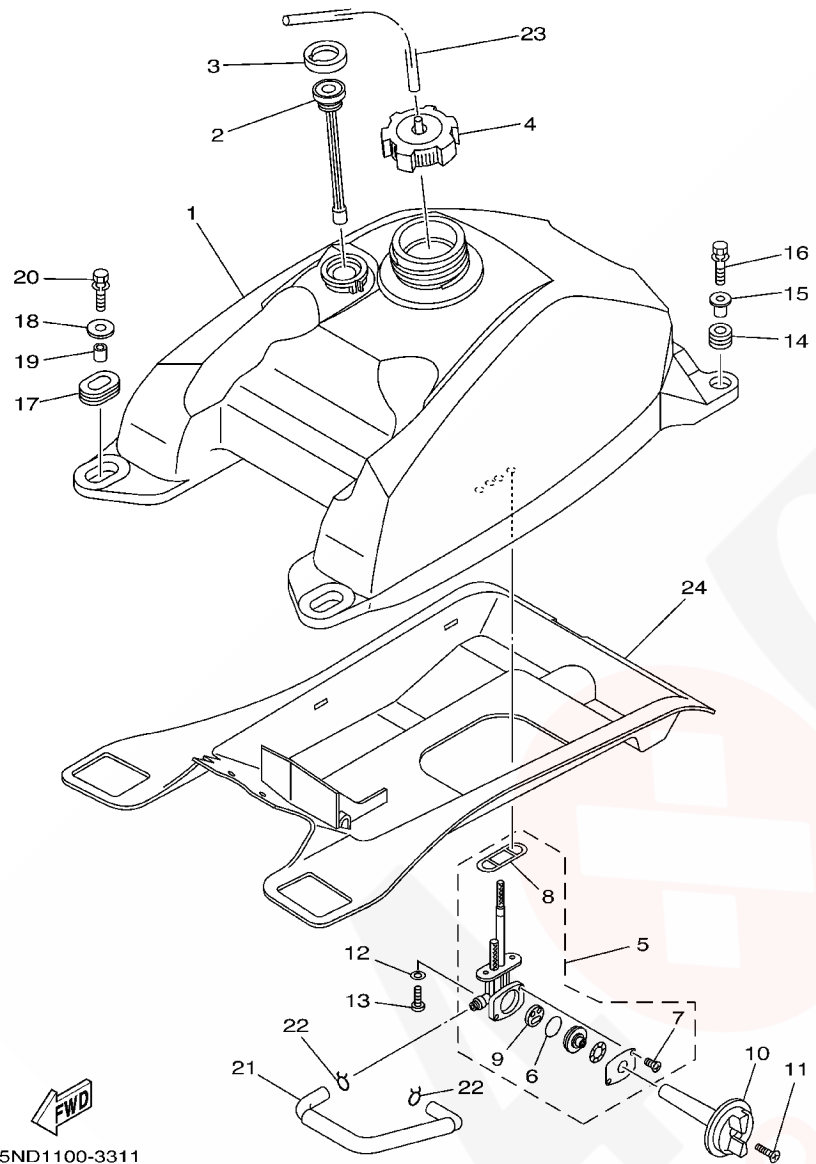


REF. NO.	PART NO.	DESCRIPTION	FRA	GBR	OCF	REMARKS
1	5ND-F3813-00	COLUMN, STEERING 2	1	1	1	(YMUS)
2	5ND-F3816-00	ARM, PITMAN	1	1	1	(YMUS)
3	8K1-23814-00	HOLDER, HANDLE	2	2	2	
4	9581P-08030	BOLT, FLANGE	4	4	4	(YMUS)
5	90336-28053	PLUG, TAPER	1	1	1	
6	1UY-23812-00	PLANE BEARING, STEERING	2	2	2	
7	93112-31011	OIL SEAL	2	2	2	
8	5ND-F3868-00	BRACKET, STEERING LOWER	1	1	1	(YMUS)
9	9702P-08060	BOLT	2	2	2	(YMUS)
10	4XE-F3894-00	WASHER, LOCK 1	1	1	1	(YMUS)
11	90387-090R0	COLLAR	2	2	2	
12	90201-14222	WASHER, PLATE	1	1	1	
13	90185-14081	NUT, SELF-LOCKING	1	1	1	
14	90468-16191	CLIP	1	1	1	
15	5ND-F3831-00	ROD, TIE	2	2	2	(YMUS)
16	5FU-F3841-00	JOINT, UNIVERSAL 1	2	2	2	(YMUS)
17	5FU-F3845-00	JOINT, UNIVERSAL 2	2	2	2	(YMUS)
18	4XE-F3833-00	NUT 1	2	2	2	(YMUS)
19	4XE-F3834-00	NUT 2	2	2	2	(YMUS)
20	90171-12816	NUT, CASTLE	4	4	4	(YMUS)
21	91401-25020	PIN, COTTER	4	4	4	



5ND1100-3301

D13

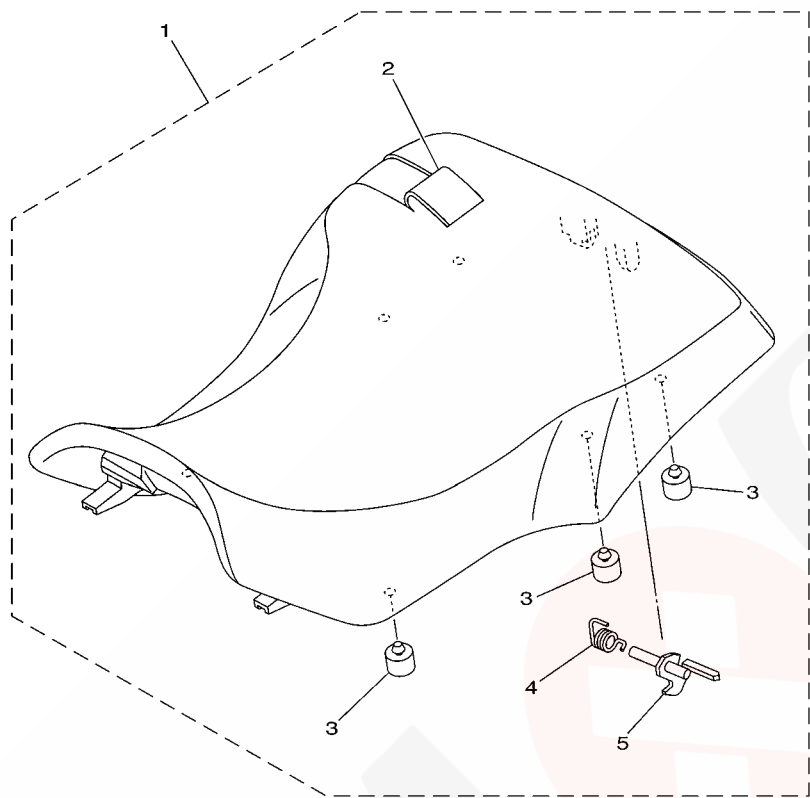


5ND1100-3311

FIG. 31 FUEL TANK

REF. NO.	PART NO.	DESCRIPTION	FRA	GBR	OCF	REMARKS
1	5ND-F4110-00	FUEL TANK COMP.	1	1	1	(YMUS)
2	5GH-24260-00	FUEL METER ASSY	1	1	1	
3	4SH-24261-00	HOUSING, FUEL METER	1	1	1	
4	5KM-24610-00	CAP ASSY	1	1	1	
5	5GH-24500-00	FUEL COCK ASSY 1	1	1	1	
6	3AJ-24534-00	.SEAL, COCK	1	1	1	
7	98507-03014	.SCREW, PAN HEAD	2	2	2	
8	4X8-24512-00	.O-RING	1	1	1	
9	3AJ-24523-00	.VALVE PACKING	1	1	1	
10	5GH-24524-00	LEVER, COCK	1	1	1	
11	98707-04018	SCREW, FLAT HEAD	1	1	1	
12	90202-05193	WASHER, PLATE	2	2	2	
13	90149-06011	SCREW	2	2	2	
14	90480-18290	GROMMET	2	2	2	
15	90387-066J1	COLLAR	2	2	2	
16	90119-06831	BOLT, WITH WASHER	2	2	2	(YMUS)
17	90480-01400	GROMMET	2	2	2	
18	90201-060L5	WASHER, PLATE	2	2	2	
19	90387-07598	COLLAR	2	2	2	
20	90119-06831	BOLT, WITH WASHER	2	2	2	(YMUS)
21	5ND-F4311-00	PIPE, FUEL 1	1	1	1	(YMUS)
22	90467-10008	CLIP	2	2	2	
23	90445-088C5	HOSE (L400)	1	1	1	(YMUS)
24	5ND-F414H-00	DAMPER, PLATE 1	1	1	1	(YMUS)

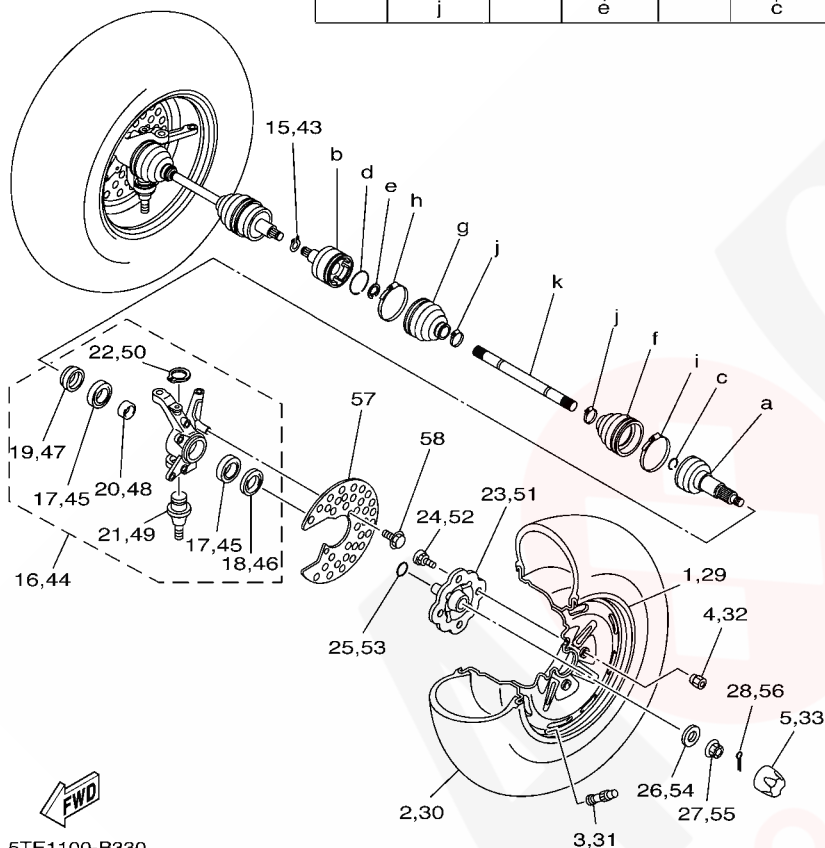
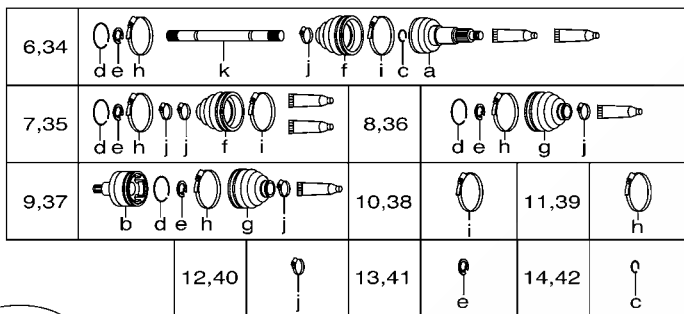
FIG. 32 SEAT



REF. NO.	PART NO.	DESCRIPTION	FRA	GER	OCE	REMARKS
1	5ND-F4710-20	SINGLE SEAT ASSY	1	1		(YMUS)
	5ND-F4710-00	SINGLE SEAT ASSY			1	(YMUS)
2	5ND-F470F-20	.SEAT COVER COMP.	1	1		(YMUS)
	5ND-F470F-00	.SEAT COVER COMP.			1	(YMUS)
3	4XE-F4747-00	.DAMPER, SEAT	6	6	6	(YMUS)
4	4XE-F478V-00	.SPRING, TORSION	1	1	1	(YMUS)
5	5ND-F4776-00	.LEVER, SEAT	1	1	1	(YMUS)



5ND1100-3320

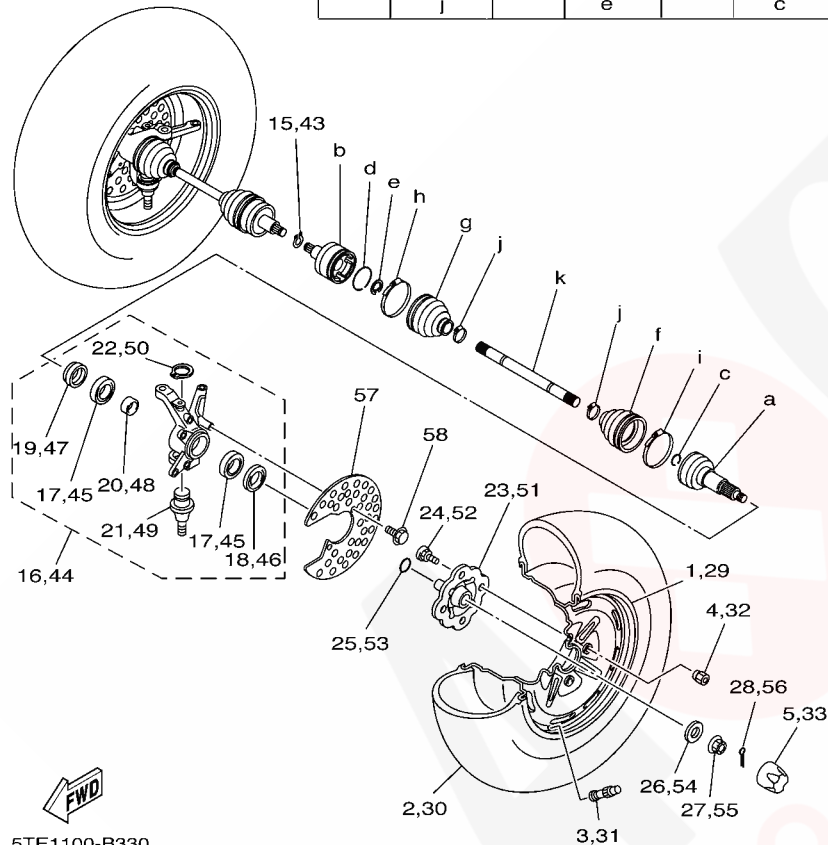
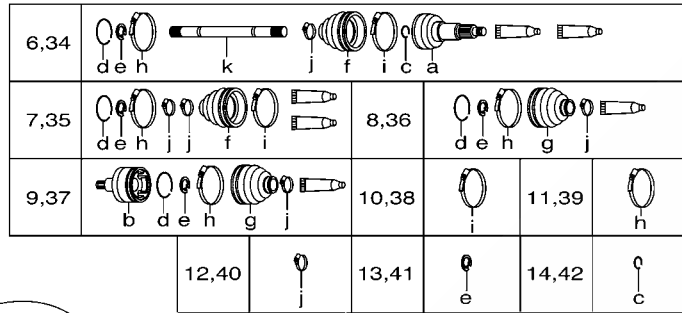


5TE1100-B330

FIG. 33 FRONT WHEEL

REF. NO.	PART NO.	DESCRIPTION	FRA	GBR	OCE	REMARKS
1	5ND-F5180-10	WHEEL COMP.	1	1	1	(YMUS)
2	94108-12802	TIRE (AT25X8-12 M911Y)	1	1		CHENG SHIN
	94108-12803	TIRE (AT25X8-12 C828)			1	CHENG SHIN
3	93900-00813	VALVE, RIM (TR413)	1	1	1	CHENG SHIN
4	90179-10540	NUT	4	4	4	
5	5GT-2512A-00	CAP, WHEEL	1	1	1	
6	5TE-F510F-00	BALL JOINT SET	1	1	1	(YMUS)
7	5GH-2510G-00	BOOT SET (BALL JOINT)	1	1	1	
8	3HN-2510H-00	BOOT SET (DOUBLE OFFSET JOINT)	1	1	1	
9	5GH-2510J-00	DOUBLE OFF SET JOINT	1	1	1	
10	3HN-2511G-01	BOOT BAND (BALL JOINT)	1	1	1	
11	3HN-2511H-00	BOOT BAND (DOUBLE OFFSET JOINT)	1	1	1	
12	3HN-2512G-01	BOOT BAND (SMALL)	2	2	2	
13	2HR-2512J-00	SNAP RING	1	1	1	
14	4KB-2512H-00	CIRCLIP	1	1	1	
15	93450-22119	CIRCLIP	1	1	1	
16	5ND-F3501-00	STEERING KNUCKLE ASSY (LEFT)	1	1	1	(YMUS)
17	93306-006Y2	.BEARING	2	2	2	(YMUS)
18	93106-38046	.OIL SEAL	1	1	1	
19	93106-38047	.OIL SEAL	1	1	1	
20	90560-30325	.SPACER	1	1	1	
21	5FU-F3549-00	.BALL JOINT 1	1	1	1	(YMUS)
22	93410-32826	.CIRCLIP	1	1	1	
23	5ND-F5111-10	HUB, FRONT	1	1	1	UR (YMUS)
	5ND-F5111-20	HUB, FRONT	1	1	1	UR (YMUS)
24	90114-10804	BOLT, SERRATION	4	4	4	(YMUS)
25	93210-27666	O-RING	1	1	1	





5TE1100-B330

FIG. 33 FRONT WHEEL

REF. NO.	PART NO.	DESCRIPTION	FRA	GBR	OCE	REMARKS
26	90201-168R1	WASHER, PLATE	1	1	1	(YMUS)
27	90171-16001	NUT, CASTLE	1	1	1	
28	91401-30030	PIN, COTTER	1	1	1	
29	5ND-F5180-10	WHEEL COMP.	1	1	1	(YMUS)
30	94108-12802	TIRE (AT25X8-12 M911Y)	1	1		CHENG SHIN
	94108-12803	TIRE (AT25X8-12 C828)			1	CHENG SHIN
31	93900-00813	VALVE, RIM (TR413)	1	1	1	CHENG SHIN
32	90179-10540	NUT	4	4	4	
33	5GT-2512A-00	CAP, WHEEL	1	1	1	
34	5TE-F510F-00	BALL JOINT SET	1	1	1	(YMUS)
35	5GH-2510G-00	BOOT SET (BALL JOINT)	1	1	1	
36	3HN-2510H-00	BOOT SET (DOUBLE OFFSET JOINT)	1	1	1	
37	5GH-2510J-00	DOUBLE OFF SET JOINT	1	1	1	
38	3HN-2511G-01	BOOT BAND (BALL JOINT)	1	1	1	
39	3HN-2511H-00	BOOT BAND (DOUBLE OFFSET JOINT)	1	1	1	
40	3HN-2512G-01	BOOT BAND (SMALL)	2	2	2	
41	2HR-2512J-00	SNAP RING	1	1	1	
42	4KB-2512H-00	CIRCLIP	1	1	1	
43	93450-22119	CIRCLIP	1	1	1	
44	5ND-F3502-00	STEERING KNUCKLE ASSY (RIGHT)	1	1	1	(YMUS)
45	93306-006Y2	.BEARING	2	2	2	(YMUS)
46	93106-38046	.OIL SEAL	1	1	1	
47	93106-38047	.OIL SEAL	1	1	1	
48	90560-30325	.SPACER	1	1	1	
49	5FU-F3549-00	.BALL JOINT 1	1	1	1	(YMUS)
50	93410-32826	.CIRCLIP	1	1	1	
51	5ND-F5111-10	HUB, FRONT	1	1	1	UR (YMUS)

E3

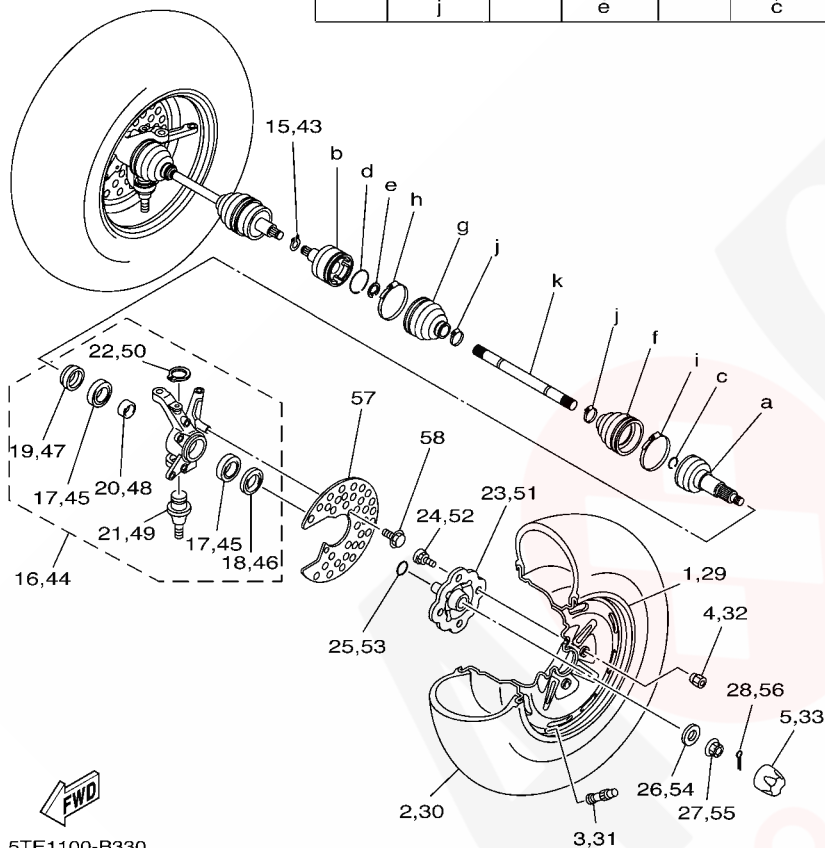
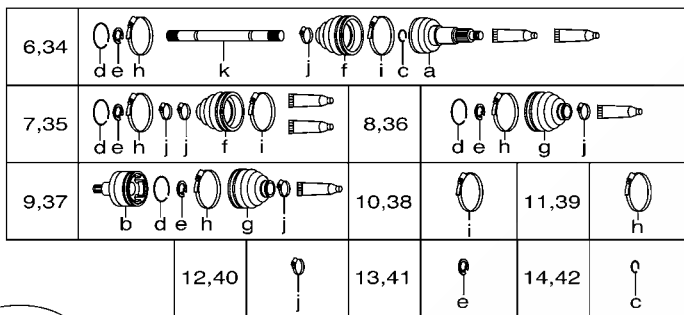
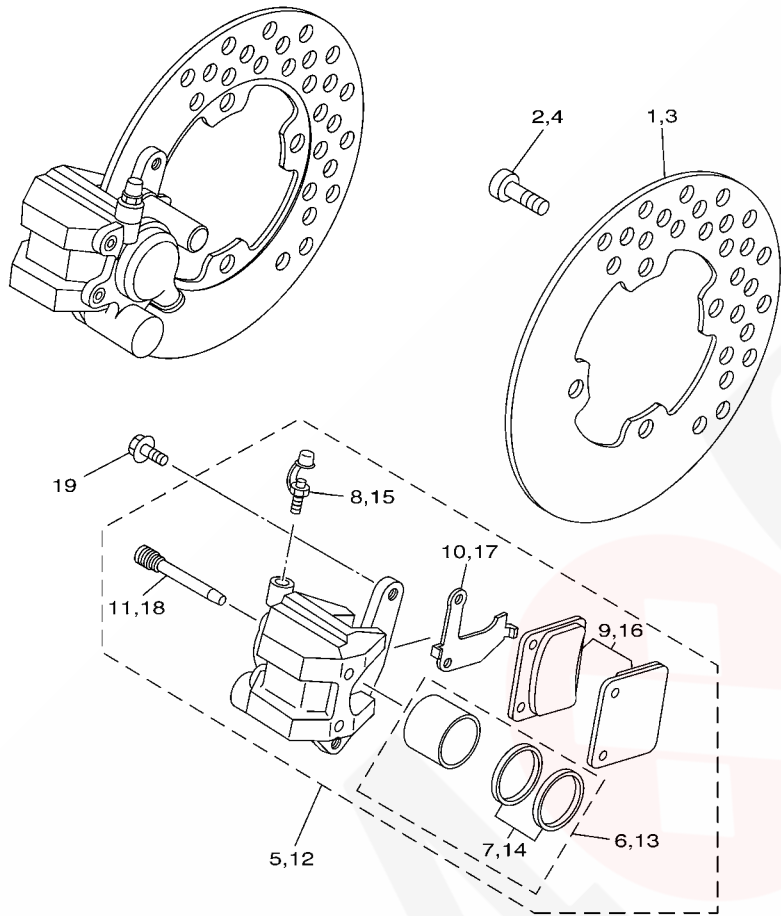


FIG. 33 FRONT WHEEL

REF. NO.	PART NO.	DESCRIPTION	FRA	GBR	OCE	REMARKS
51	5ND-F5111-20	HUB, FRONT	1	1	1	UR (YMUS)
52	90114-10804	BOLT, SERRATION	4	4	4	(YMUS)
53	93210-27666	O-RING	1	1	1	
54	90201-168R1	WASHER, PLATE	1	1	1	(YMUS)
55	90171-16001	NUT, CASTLE	1	1	1	
56	91401-30030	PIN, COTTER	1	1	1	
57	5ND-F514A-00	RING, WHEEL 1 (LEFT)	2	2	2	(YMUS)
58	9582P-06012	BOLT, FLANGE	4	4	4	(YMUS)

5TE1100-B330

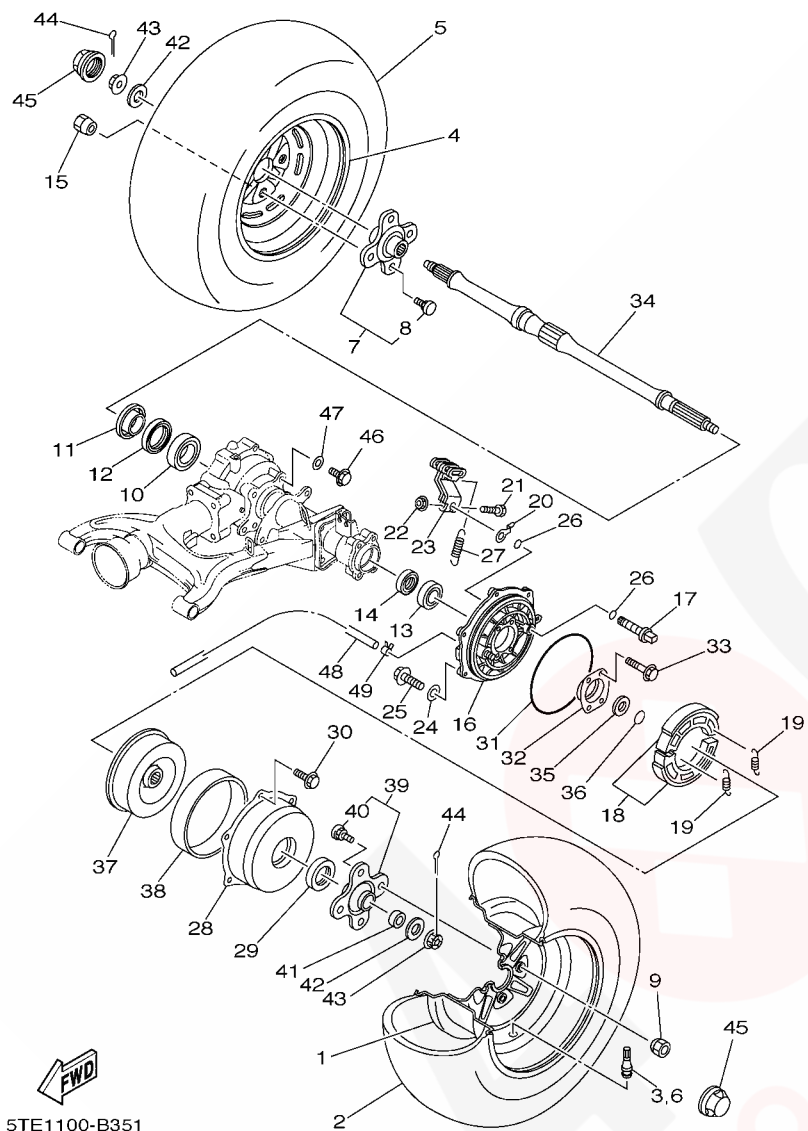


5ND1100-3340

FIG. 34 FRONT BRAKE CALIPER

REF. NO.	PART NO.	DESCRIPTION	FRA	GBR	OCE	REMARKS
1	5ND-F582T-00	DISC, BRAKE (LEFT)	1	1	1	(YMUS)
2	90149-08268	SCREW	4	4	4	
3	5ND-F582T-00	DISC, BRAKE (LEFT)	1	1	1	(YMUS)
4	90149-08268	SCREW	4	4	4	
5	3GD-2580T-00	CALIPER ASSY (LEFT)	1	1	1	
6	3GD-W0057-00	.PISTON ASSY, CALIPER	1	1	1	
7	3GD-W0047-00	..CALIPER SEAL KIT	1	1	1	
8	1UY-W0048-50	.BLEED SCREW KIT	1	1	1	
9	3GD-W0045-00	.BRAKE PAD KIT	1	1	1	
10	3GD-25827-00	.SHIM, CALIPER	1	1	1	
11	3GD-25933-00	.PIN, PAD	2	2	2	
12	3GD-2580U-00	CALIPER ASSY (RIGHT)	1	1	1	
13	3GD-W0057-00	.PISTON ASSY, CALIPER	1	1	1	
14	3GD-W0047-00	..CALIPER SEAL KIT	1	1	1	
15	1UY-W0048-50	.BLEED SCREW KIT	1	1	1	
16	3GD-W0045-00	.BRAKE PAD KIT	1	1	1	
17	3GD-25828-00	.SHIM, CALIPER	1	1	1	
18	3GD-25933-00	.PIN, PAD	2	2	2	
19	90105-088B2	BOLT, FLANGE	4	4	4	(YMUS)

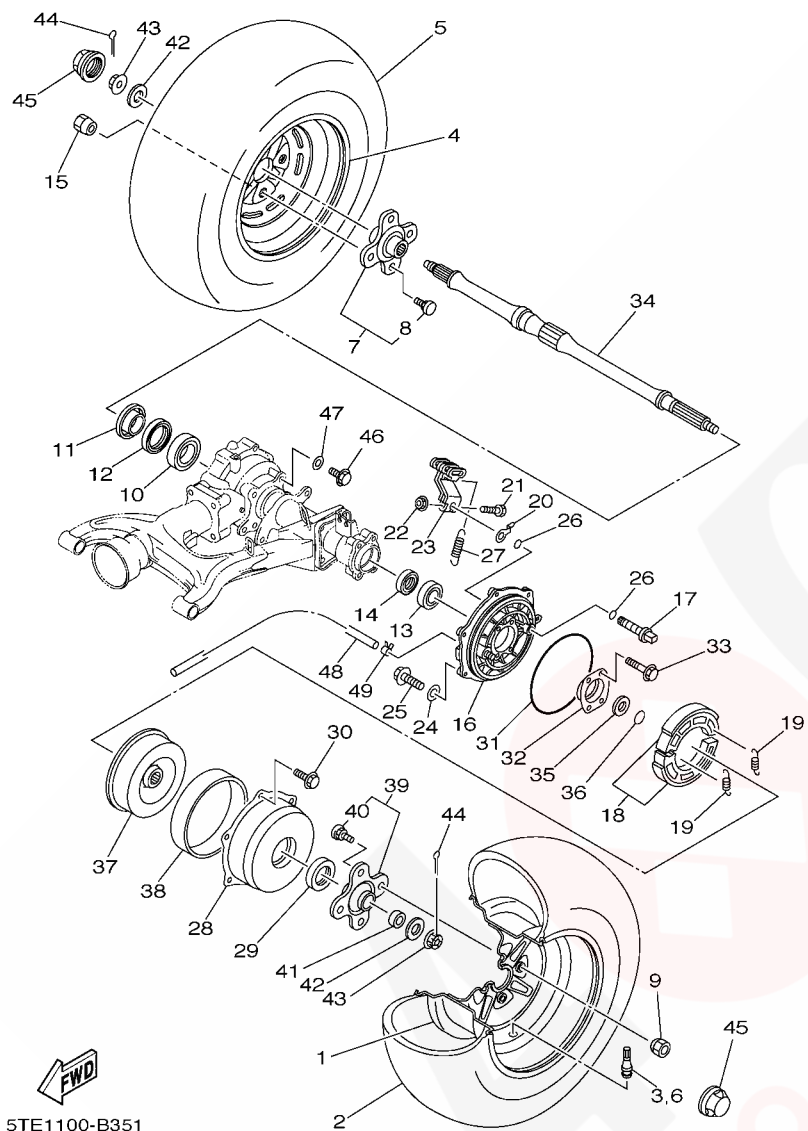
FIG. 35 REAR WHEEL



5TE1100-B351

REF. NO.	PART NO.	DESCRIPTION	FRA	GBR	OCE	REMARKS
1	5ND-F5390-10	REAR WHEEL COMP.	1	1	1	(YMUS)
2	94110-12800	TIRE (AT25X10-12 M912Y)	1	1		CHENG SHIN
	94110-12801	TIRE (AT25X10-12 C828)			1	CHENG SHIN
3	93900-00813	VALVE, RIM (TR413)	1	1	1	CHENG SHIN
4	5ND-F5390-10	REAR WHEEL COMP.	1	1	1	(YMUS)
5	94110-12800	TIRE (AT25X10-12 M912Y)	1	1		CHENG SHIN
	94110-12801	TIRE (AT25X10-12 C828)			1	CHENG SHIN
6	93900-00813	VALVE, RIM (TR413)	1	1	1	CHENG SHIN
7	5ND-F5383-00	COLLAR, WHEEL	1	1	1	UR (YMUS)
	5ND-F5383-10	COLLAR, WHEEL	1	1	1	UR (YMUS)
8	90114-10804	BOLT, SERRATION	4	4	4	(YMUS)
9	90179-10540	NUT	4	4	4	
10	93306-008Y0	BEARING	1	1	1	(YMUS)
11	4SH-25367-01	COVER, HUB DUST	1	1	1	
12	93106-47040	OIL SEAL	1	1	1	
13	93306-278Y0	BEARING	1	1	1	(YMUS)
14	93101-35097	OIL SEAL	1	1	1	
15	90179-10540	NUT	4	4	4	
16	5TE-F5321-00	PLATE, BRAKE SHOE	1	1	1	(YMUS)
17	5FU-F5351-00	CAMSHAFT	1	1	1	(YMUS)
18	5FU-WF536-00	BRAKE SHOE SET	1	1	1	(YMUS)
19	4XE-F5133-00	SPRING, RETURN	2	2	2	(YMUS)
20	5TE-F513A-00	PLATE, INDICATOR	1	1	1	(YMUS)
21	4XE-F5833-00	BOLT, FITTING	1	1	1	(YMUS)
22	9570L-06500	NUT, FLANGE	1	1	1	(YMUS)
23	5TE-F5355-00	LEVER, CAMSHAFT	1	1	1	(YMUS)
24	4XE-F5898-00	GASKET	1	1	1	(YMUS)

FIG. 35 REAR WHEEL

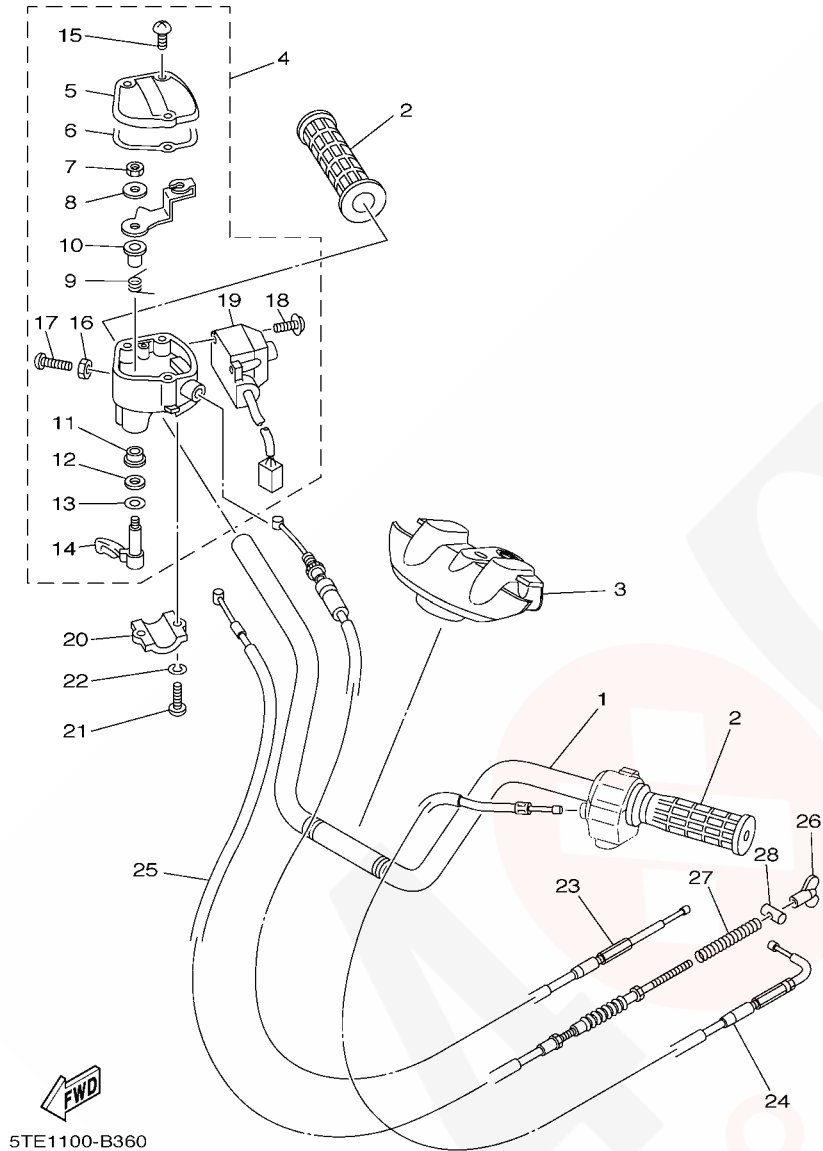


5TE1100-B351

REF. NO.	PART NO.	DESCRIPTION	FRA	GBR	OCE	REMARKS
25	4XE-F5818-00	BOLT, CALIPER	1	1	1	(YMUS)
26	4XE-F5816-00	SEAL, DUST	2	2	2	(YMUS)
27	90506-16482	SPRING, TENSION	1	1	1	
28	5FU-F5327-00	COVER, PLATE	1	1	1	(YMUS)
29	5FU-F5319-00	SEAL, HUB DUST	1	1	1	(YMUS)
30	9582P-06012	BOLT, FLANGE	6	6	6	(YMUS)
31	5FU-F537Y-00	SEAL, DUST	1	1	1	(YMUS)
32	4XE-G6513-00	RETAINER	1	1	1	(YMUS)
33	90105-08892	BOLT, FLANGE	4	4	4	(YMUS)
34	5TE-F5381-00	AXLE, WHEEL	1	1	1	(YMUS)
35	90387-284T0	COLLAR	1	1	1	
36	93210-26606	O-RING	1	1	1	
37	5FU-F531E-10	DRUM, BRAKE	1	1		(YMUS)
	5FU-F531E-00	DRUM, BRAKE			1	(YMUS)
38	5FU-F5336-00	RING 2	1	1	1	(YMUS)
39	5FU-F5377-00	COLLAR, WHEEL	1	1	1	UR (YMUS)
	5FU-F5377-10	COLLAR, WHEEL	1	1	1	UR (YMUS)
40	90114-10804	.BOLT, SERRATION	4	4	4	(YMUS)
41	5FU-F5384-00	WASHER, WHEEL	1	1	1	(YMUS)
42	90201-168R1	WASHER, PLATE	2	2	2	(YMUS)
43	90171-16001	NUT, CASTLE	2	2	2	
44	91401-30030	PIN, COTTER	2	2	2	
45	5GT-2512A-00	CAP, WHEEL	2	2	2	
46	90105-10751	BOLT, FLANGE	4	4	4	
47	90201-101J1	WASHER, PLATE	4	4	4	
48	90445-07807	HOSE (L1150)	1	1	1	(YMUS)
49	90467-07093	CLIP	1	1	1	

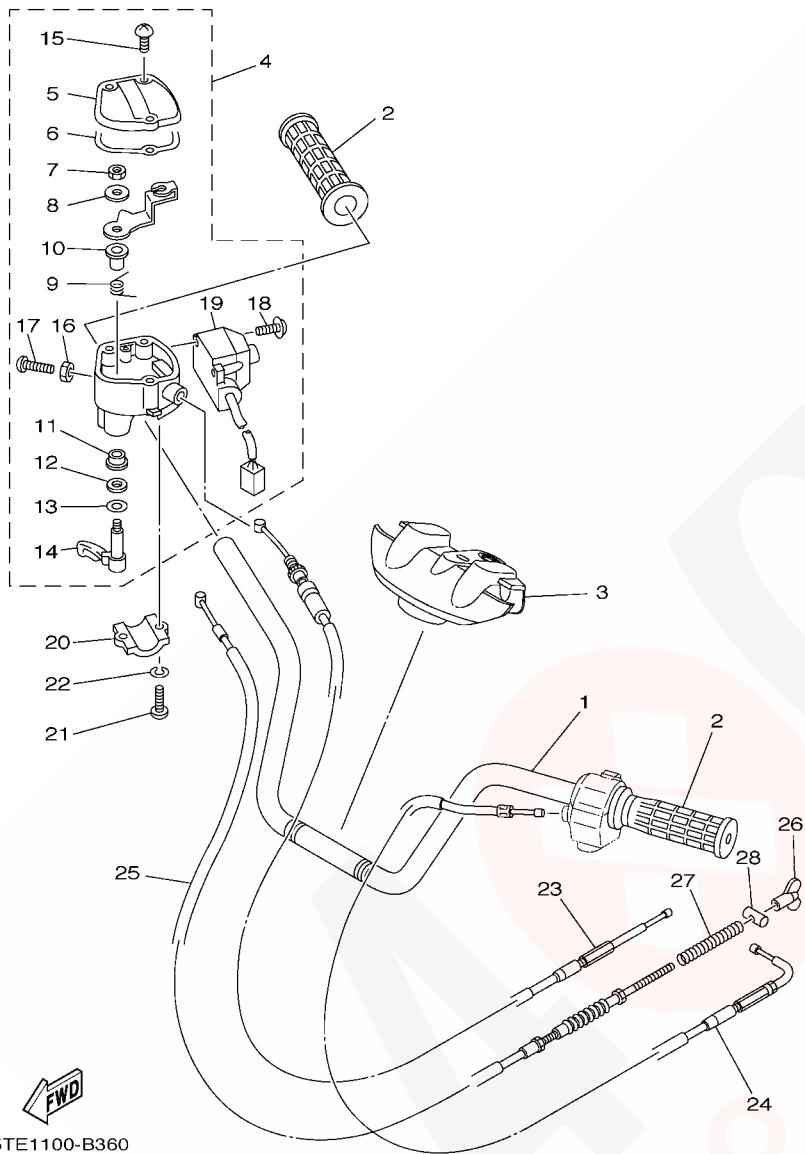
E7

FIG. 36 STEERING HANDLE & CABLE



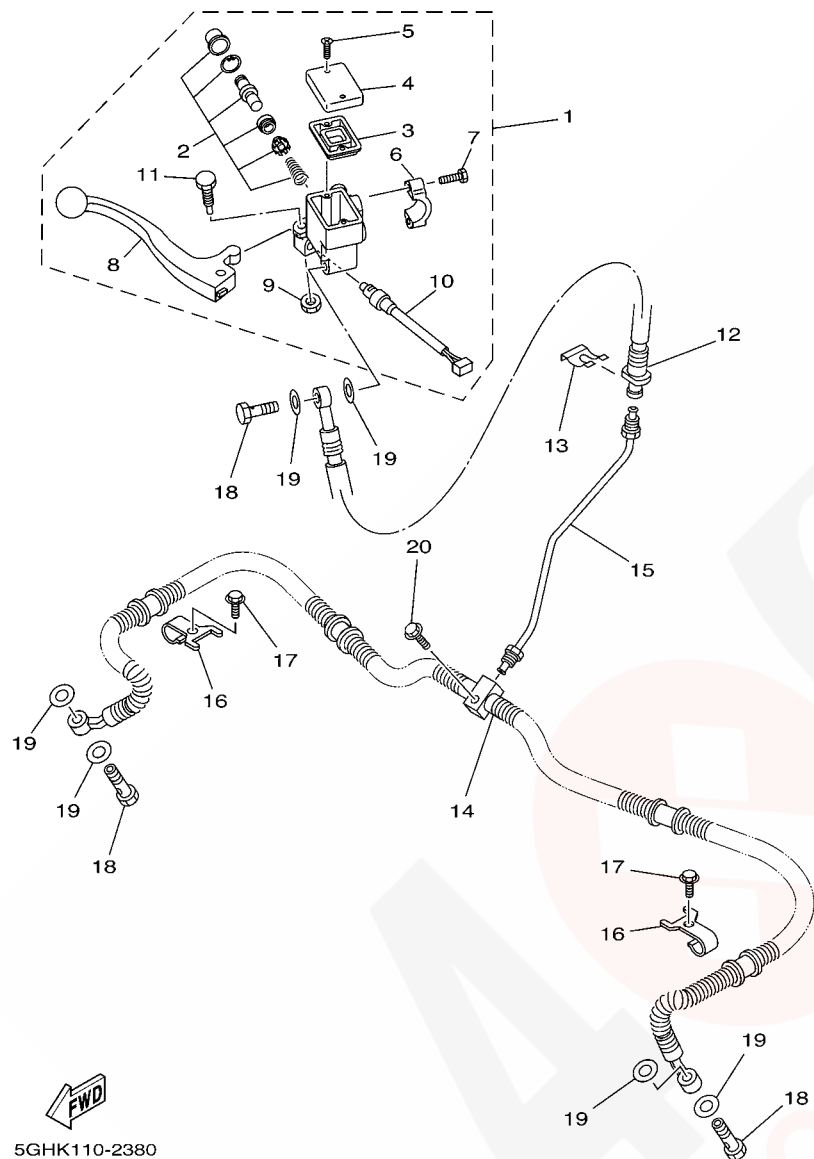
REF. NO.	PART NO.	DESCRIPTION	FRA	GBR	OCF	REMARKS
1	5FU-F6111-00	HANDLEBAR	1	1	1	(YMUS)
2	5FU-F6241-00	GRIP	2	2	2	(YMUS)
3	5ND-F6124-00	PROTECTOR, HANDLEBAR	1	1	1	(YMUS)
4	4WV-26250-10	THROTTLE LEVER ASSY	1	1	1	
5	4KB-2628F-10	.CAP, GEAR	1	1	1	
6	4KB-2628G-00	.GASKET	1	1	1	
7	95607-05100	.NUT, U	1	1	1	
8	1NV-26398-00	.WASHER	1	1	1	
9	1NV-26304-00	.SPRING	1	1	1	
10	1NV-26259-01	.COLLAR	1	1	1	
11	1NV-2625K-00	.COLLAR	1	1	1	
12	93104-09025	.OIL SEAL	1	1	1	
13	1NV-26129-00	.WASHER	1	1	1	
14	1NV-2625G-01	.LEVER, THROTTLE	1	1	1	
15	90149-04278	.SCREW	3	3	3	
16	95307-05700	.NUT	1	1	1	
17	98507-05020	.SCREW, PAN HEAD	1	1	1	
18	97607-04210	.SCREW, WITH WASHER	2	2	2	
19	4WV-83976-00	.SWITCH, HANDLE 1	1	1	1	
20	4V4-82913-00	HOLDER, LEVER LOWER 1	1	1	1	
21	98507-05020	SCREW, PAN HEAD	2	2	2	
22	92907-05600	WASHER, PLATE	2	2	2	
23	5GH-26311-01	CABLE, THROTTLE 1	1	1	1	
24	5VH-F6331-00	CABLE, STARTER 1	1	1	1	(YMUS)
25	5TE-26341-00	CABLE, BRAKE	1	1	1	
26	20E-26343-00	NUT, ADJUSTING	1	1	1	
27	90501-10782	SPRING, COMPRESSION	1	1	1	

FIG. 36 STEERING HANDLE & CABLE



REF. NO.	PART NO.	DESCRIPTION	FRA	GBR	OCE	REMARKS
28	90249-12008	PIN	1	1	1	

FIG. 37 FRONT MASTER CYLINDER



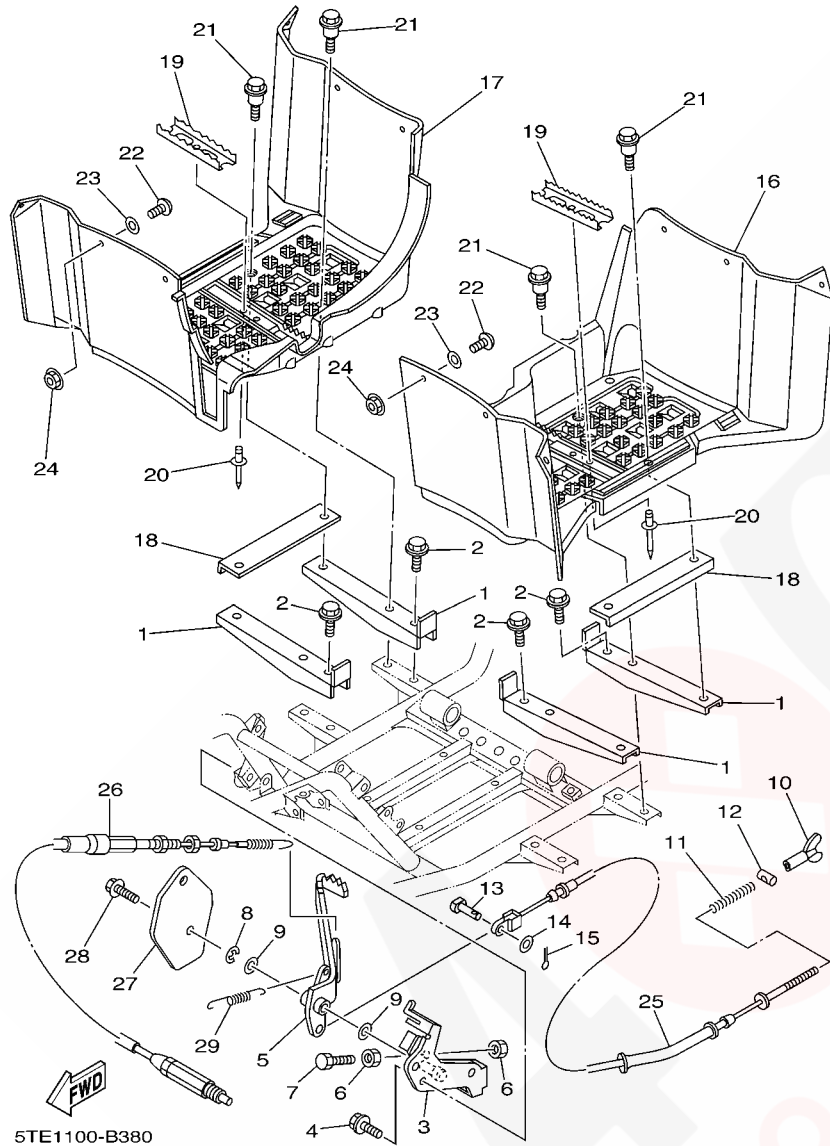
REF. NO.	PART NO.	DESCRIPTION	FRA	GBR	OCE	REMARKS
1	5KM-2583T-01	MASTER CYLINDER ASSY	1	1	1	
2	8CR-W0041-00	.CYLINDER KIT, MASTER	1	1	1	
3	4L0-25854-00	.DIAPHRAGM, RESERVOIR	1	1	1	
4	5JX-25852-01	.CAP, RESERVOIR	1	1	1	
5	98706-04012	.SCREW, FLAT HEAD	2	2	2	
6	5GH-25867-00	.BRACKET, MASTER CYLINDER	1	1	1	
7	5EB-26332-00	.BOLT	2	2	2	
8	5KM-83922-00	.LEVER 2	1	1	1	
9	95606-06100	.NUT, U	1	1	1	
10	5LP-83980-00	.FRONT STOP SWITCH ASSY	1	1	1	
11	1FK-2589F-00	.BOLT, LEVER	1	1	1	
12	5ND-F5872-00	HOSE, BRAKE 1	1	1	1	(YMUS)
13	2GU-25866-00	CIRCLIP	1	1	1	
14	5ND-F5873-00	HOSE, BRAKE 2	1	1	1	(YMUS)
15	5ND-F5871-00	PIPE, BRAKE	1	1	1	(YMUS)
16	5ND-F5875-00	HOLDER, BRAKE HOSE 1	2	2	2	(YMUS)
17	95827-06012	BOLT, FLANGE	2	2	2	
18	90401-10159	BOLT, UNION	3	3	3	
19	90201-10118	WASHER, PLATE	6	6	6	
20	95827-06025	BOLT, FLANGE	1	1	1	

5GHK110-2380

E10



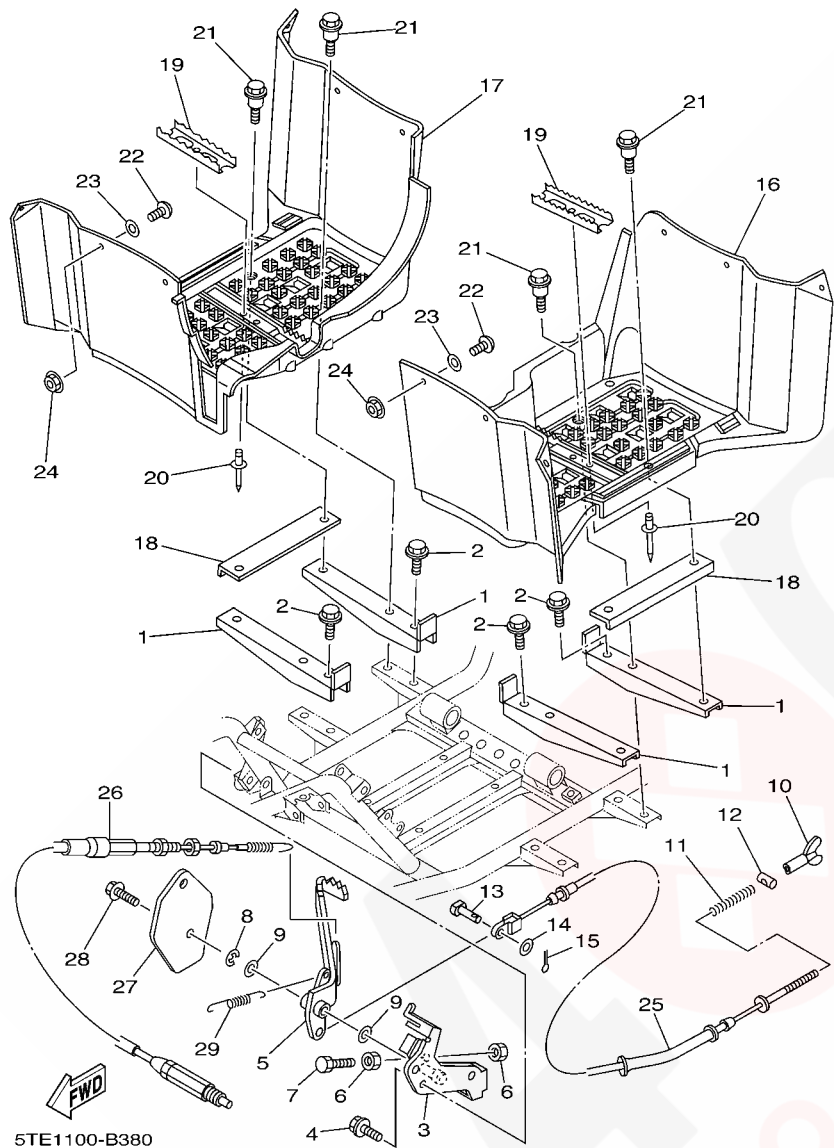
FIG. 38 STAND & FOOTREST



REF. NO.	PART NO.	DESCRIPTION	FRA	GBR	OCE	REMARKS
1	5ND-F7471-00	BAR, FOOTREST 1	4	4	4	(YMUS)
2	9581P-08012	BOLT, FLANGE	4	4	4	(YMUS)
3	5TE-F7412-00	BRACKET, FOOTREST 1	1	1	1	(YMUS)
4	9581P-08012	BOLT, FLANGE	3	3	3	(YMUS)
5	5TE-F7211-00	PEDAL, BRAKE	1	1	1	(YMUS)
6	95317-06700	NUT	2	2	2	
7	97017-06020	BOLT	1	1	1	
8	93430-10015	CIRCLIP	1	1	1	
9	90201-144J2	WASHER, PLATE	2	2	2	
10	20E-26343-00	NUT, ADJUSTING	1	1	1	
11	90501-10782	SPRING, COMPRESSION	1	1	1	
12	90249-12008	PIN	1	1	1	
13	90240-08124	PIN, CLEVIS	1	1	1	
14	90201-08083	WASHER, PLATE	1	1	1	
15	91401-20020	PIN, COTTER	1	1	1	
16	5ND-F7453-00	COVER 1	1	1	1	(YMUS)
17	5ND-F7463-00	COVER 2	1	1	1	(YMUS)
18	5ND-F7445-00	PLATE 1	2	2	2	(YMUS)
19	5ND-F741A-00	ARM 1	2	2	2	(YMUS)
20	90267-48830	RIVET, BLIND	2	2	2	(YMUS)
21	90109-063F5	BOLT	8	8	8	
22	90149-05299	SCREW	12	12	12	
23	90201-05029	WASHER, PLATE	12	12	12	
24	95707-05300	NUT, FLANGE	12	12	12	
25	5TE-26361-00	CABLE, BRAKE	1	1	1	
26	5GH-2637F-00	CABLE, CONTROL 2	1	1	1	
27	5TE-F7491-00	PROTECTOR	1	1	1	(YMUS)

E11

FIG. 38 STAND & FOOTREST



5TE1100-B380

REF. NO.	PART NO.	DESCRIPTION	FRA	GBR	OCE	REMARKS
28	90119-06009	BOLT, WITH WASHER	1	1	1	
29	90506-12403	SPRING, TENSION	1	1	1	

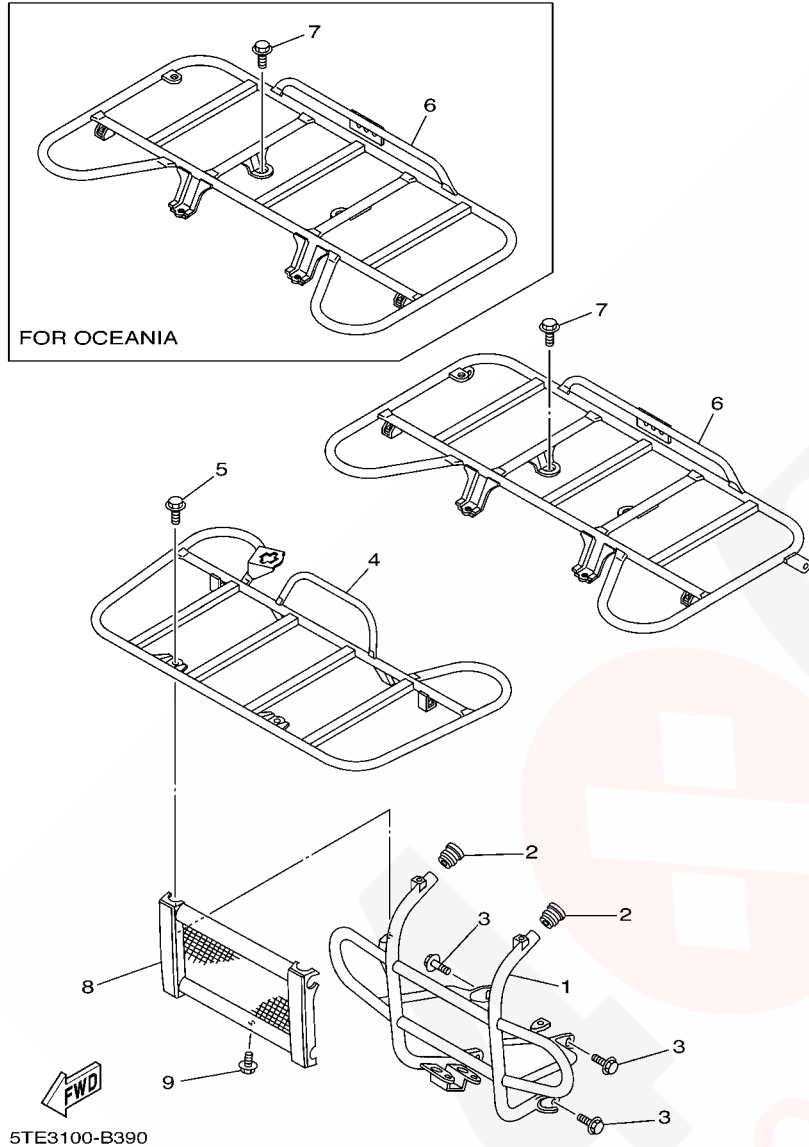
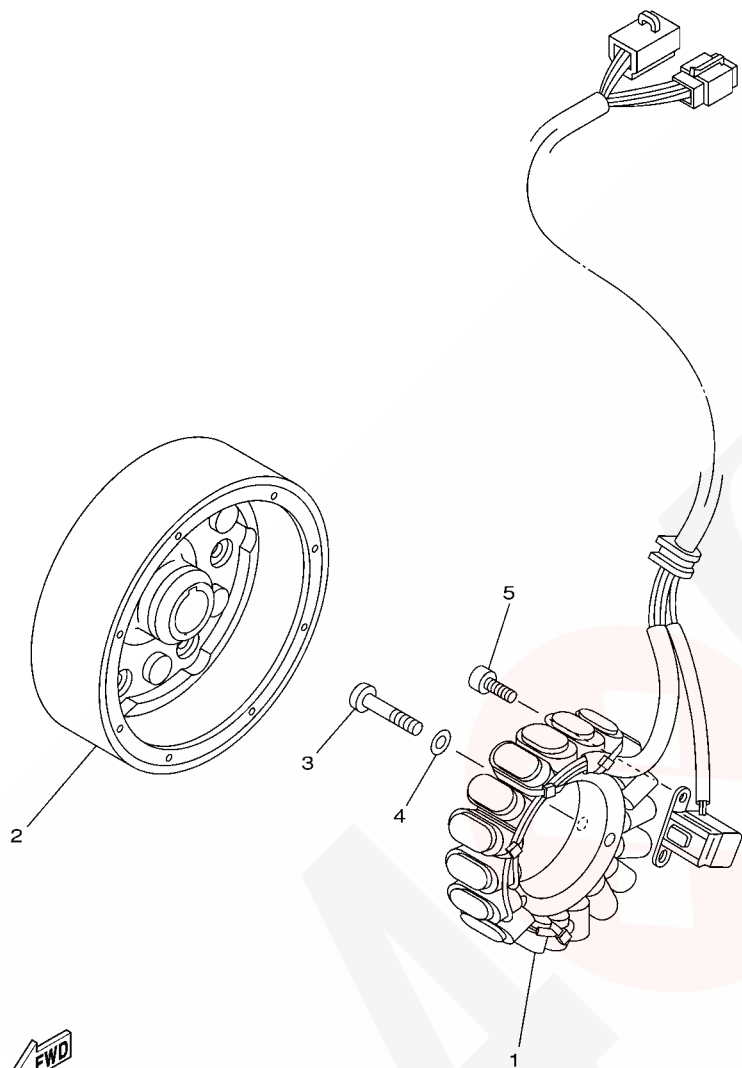


FIG. 39 GUARD

REF. NO.	PART NO.	DESCRIPTION	FRA	GBR	OCE	REMARKS
1	5ND-F845N-00	BAR, CARRY FRONT	1	1	1	(YMUS)
2	4XE-F1399-00	CAP, TOOL BOX	2	2	2	(YMUS)
3	9581P-08012	BOLT, FLANGE	4	4	4	(YMUS)
4	5TE-F4841-00	CARRIER, FRONT	1	1	1	(YMUS)
5	9581P-08012	BOLT, FLANGE	4	4	4	(YMUS)
6	5ND-F4842-10	CARRIER, REAR	1	1		(YMUS)
	5ND-F4842-00	CARRIER, REAR			1	(YMUS)
7	9581P-08012	BOLT, FLANGE	4	4	4	(YMUS)
8	5TE-F842A-00	COVER 5	1	1	1	(YMUS)
9	90119-06079	BOLT, WITH WASHER	1	1	1	

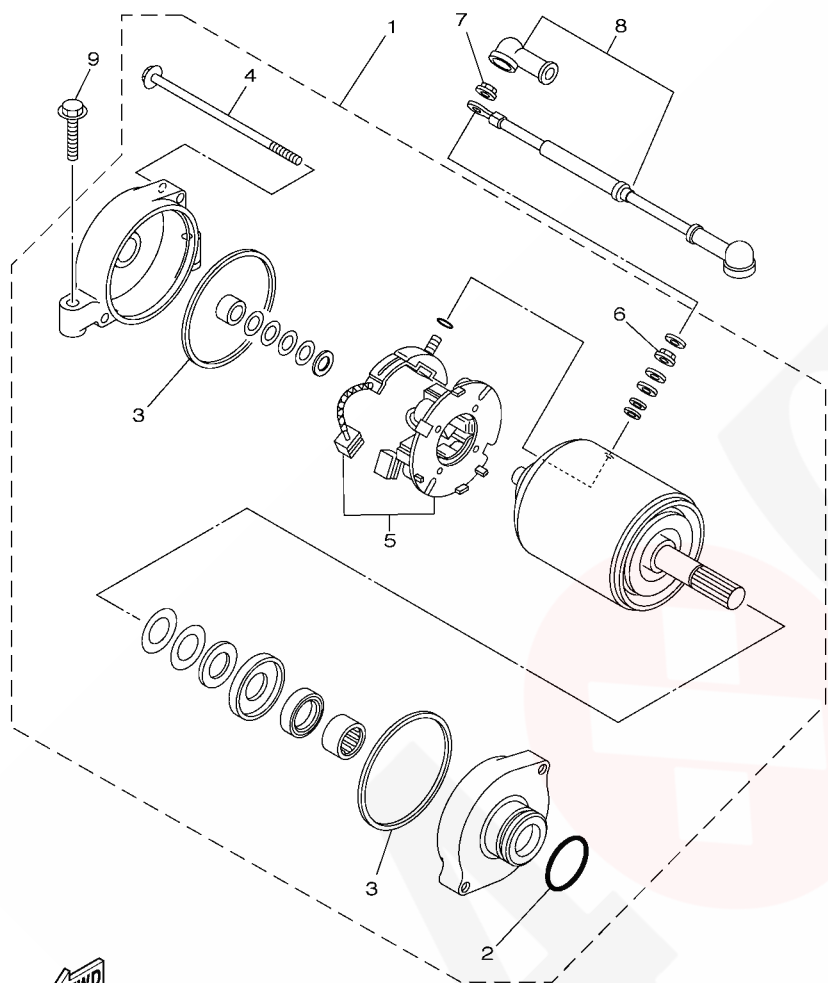
**FIG. 40 GENERATOR**



5GH1110-0420

REF. NO.	PART NO.	DESCRIPTION	FRA	GER	OCE	REMARKS
1	5ND-81410-00	STATOR ASSY	1	1	1	
2	5GH-81450-00	ROTOR ASSY	1	1	1	
3	98507-06030	SCREW, PAN HEAD	3	3	3	
4	92907-06600	WASHER, PLATE	3	3	3	
5	91317-05012	BOLT	2	2	2	
<hr/>						
<hr/>						
<hr/>						
<hr/>						
<hr/>						
<hr/>						
<hr/>						
<hr/>						
<hr/>						
<hr/>						
<hr/>						

FIG. 41 STARTING MOTOR



REF. NO.	PART NO.	DESCRIPTION	FRA	GBR	OCE	REMARKS
1	5KM-81890-00	MOTOR ASSY	1	1	1	
2	1FK-81847-00	.O-RING	1	1	1	
3	11H-81844-00	.GASKET	2	2	2	
4	3AJ-81826-00	.BOLT	2	2	2	
5	3AJ-81801-00	.BRUSH SET	1	1	1	
6	4XV-8182A-00	.NUT	1	1	1	
7	4XV-8182A-00	NUT	1	1	1	
8	5ND-H1815-00	CORD, STARTER MOTOR	1	1	1	(YMUS)
9	95027-06030	BOLT, FLANGE	2	2	2	



5ND1100-3431

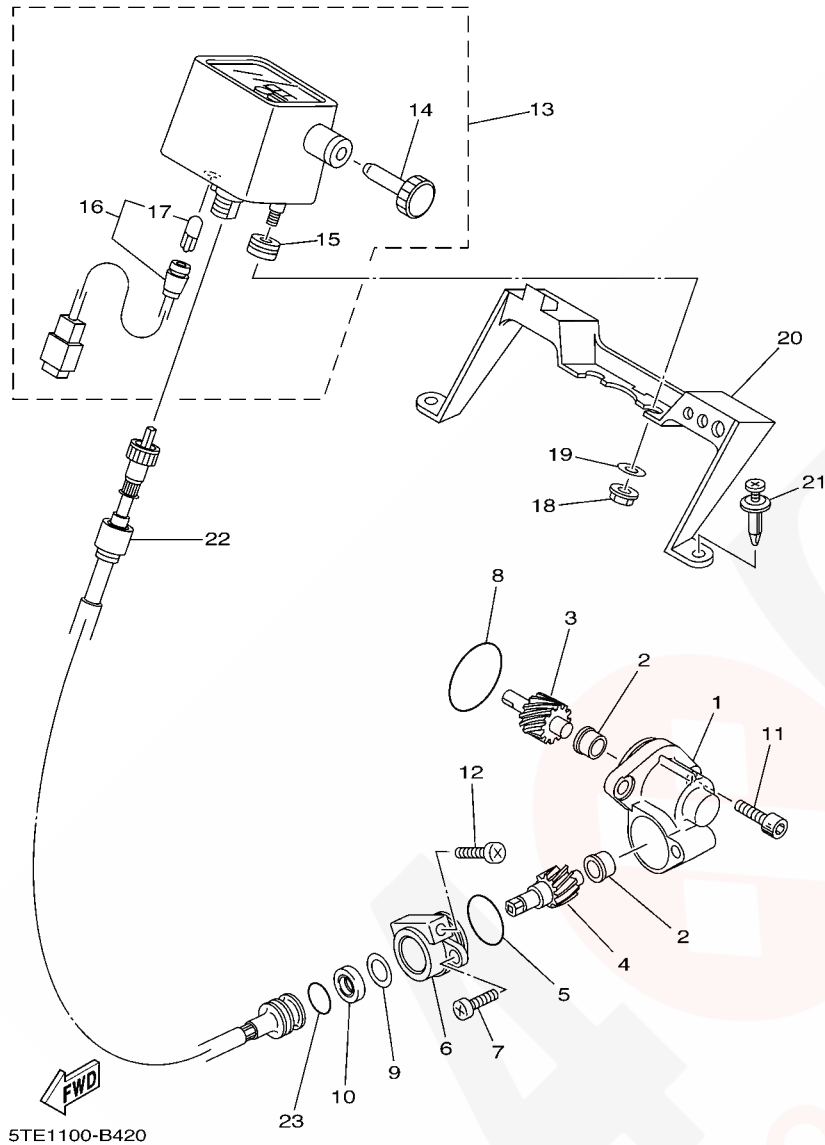
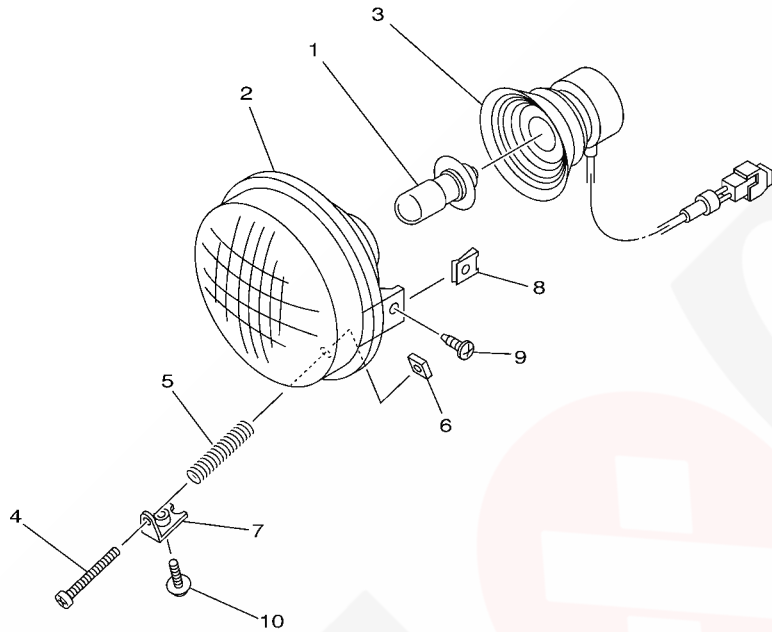


FIG. 42 METER

REF. NO.	PART NO.	DESCRIPTION	FRA	GBR	OCE	REMARKS
1	4WV-17811-00	HOUSING, TACHOMETER GEAR	1	1	1	
2	90381-08002	BUSH, SOLID	2	2	2	
3	4WV-17831-00	GEAR, DRIVE	1	1	1	
4	4WV-17841-00	GEAR, DRIVEN	1	1	1	
5	93210-24253	O-RING	1	1	1	
6	59V-17811-00	HOUSING, TACHOMETER GEAR	1	1	1	
7	98507-06016	SCREW, PAN HEAD	1	1	1	
8	93210-32172	O-RING	1	1	1	
9	90201-12163	WASHER, PLATE	1	1	1	
10	93102-08307	OIL SEAL	1	1	1	
11	90110-06005	BOLT, HEXAGON SOCKET HEAD	2	2	2	
12	98507-06030	SCREW, PAN HEAD	1	1	1	
13	5GH-83500-10	SPEEDOMETER ASSY	1	1		KM/H
	5GH-83500-00	SPEEDOMETER ASSY		1		MILE/H
14	3GH-83578-00	.KNOB, TRIP METER	1	1	1	
15	3GH-83523-00	.DAMPER	2	2	2	
16	5GH-83520-10	.SOCKET CORD ASSY	1	1	1	
17	5GH-83517-00	..BULB (14V-3.4W)	1	1	1	
18	95707-05500	NUT, FLANGE	2	2	2	
19	90201-05725	WASHER, PLATE	2	2	2	
20	5TE-H3519-00	BRACKET, METER	1	1	1	(YMUS)
21	90269-06800	RIVET	2	2	2	(YMUS)
22	5VH-H3550-00	SPEEDOMETER CABLE ASSY	1	1	1	(YMUS)
23	93210-14104	O-RING	1	1	1	

FIG. 43 HEADLIGHT

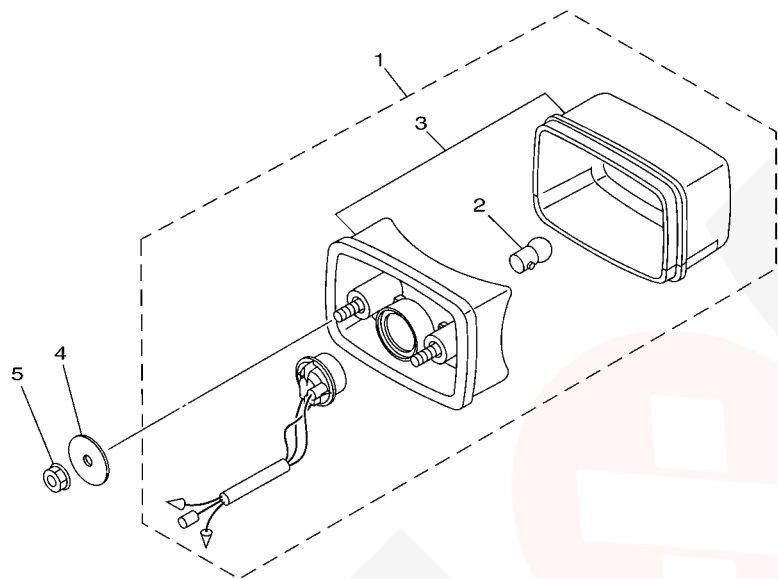
REF. NO.	PART NO.	DESCRIPTION	FRA	GER	OCE	REMARKS
1	5FU-H4314-00	BULB, HEADLIGHT (12V-30/30W)	2	2	2	(YMUS)
2	5FU-H4320-00	LENS ASSY	2	2	2	(YMUS)
3	5FU-H4340-00	SOCKET CORD ASSY 1	2	2	2	(YMUS)
4	98507-03540	SCREW, PAN HEAD	2	2	2	
5	2GU-84332-00	SPRING, SCREW	2	2	2	
6	2GU-84334-00	NUT, ADJUSTING	2	2	2	
7	5GH-84703-00	BRACKET	2	2	2	
8	90183-05008	NUT, SPRING	4	4	4	
9	90150-05802	SCREW, ROUND HEAD	4	4	4	(YMUS)
10	90159-05022	SCREW, WITH WASHER	2	2	2	



5ND1100-3450

FIG. 44 TAILLIGHT

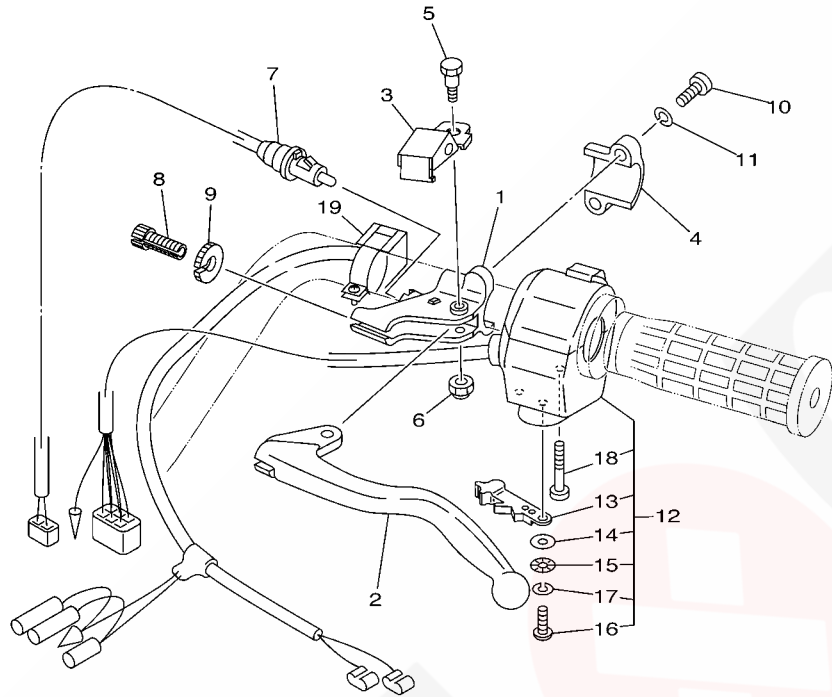
REF. NO.	PART NO.	DESCRIPTION	FRA	GER	OCE	REMARKS
1	5KM-84710-00	TAILLIGHT UNIT ASSY	1	1	1	
2	1A2-84714-41	.BULB (12V-21/5W)	1	1	1	
3	5KM-8472C-10	.LENS, TAILLIGHT	1	1	1	
4	90201-06074	WASHER, PLATE	2	2	2	
5	95707-06300	NUT, FLANGE	2	2	2	



5ND1100-3460



FIG. 45 HANDLE SWITCH & LEVER



REF. NO.	PART NO.	DESCRIPTION	FRA	GBR	OCE	REMARKS
1	1YW-82911-02	HOLDER, LEVER 1	1	1	1	
2	2HT-83912-00	LEVER 1	1	1	1	
3	1YW-83965-00	LEVER, LOCK	1	1	1	
4	2XJ-82913-00	HOLDER, LEVER LOWER 1	1	1	1	
5	90109-06576	BOLT	1	1	1	
6	95607-06100	NUT, U	1	1	1	
7	3FA-83980-02	FRONT STOP SWITCH ASSY	1	1	1	
8	90123-08046	BOLT	1	1	1	
9	90179-08148	NUT	1	1	1	
10	98507-06020	SCREW, PAN HEAD	2	2	2	
11	92907-06100	WASHER, SPRING	2	2	2	
12	5LP-83973-01	SWITCH, HANDLE 3	1	1	1	
13	5GH-83941-00	.LEVER, STARTER	1	1	1	
14	1UY-83909-00	.WASHER, SPECIAL	1	1	1	
15	3L4-83943-00	.WASHER, STARTER	1	1	1	
16	98517-05012	.SCREW, PAN HEAD	1	1	1	
17	92907-05100	.WASHER, SPRING	1	1	1	
18	98507-05030	.SCREW, PAN HEAD	2	2	2	
19	4GB-83976-00	SWITCH, HANDLE 1	1	1	1	



5TE3100-B450

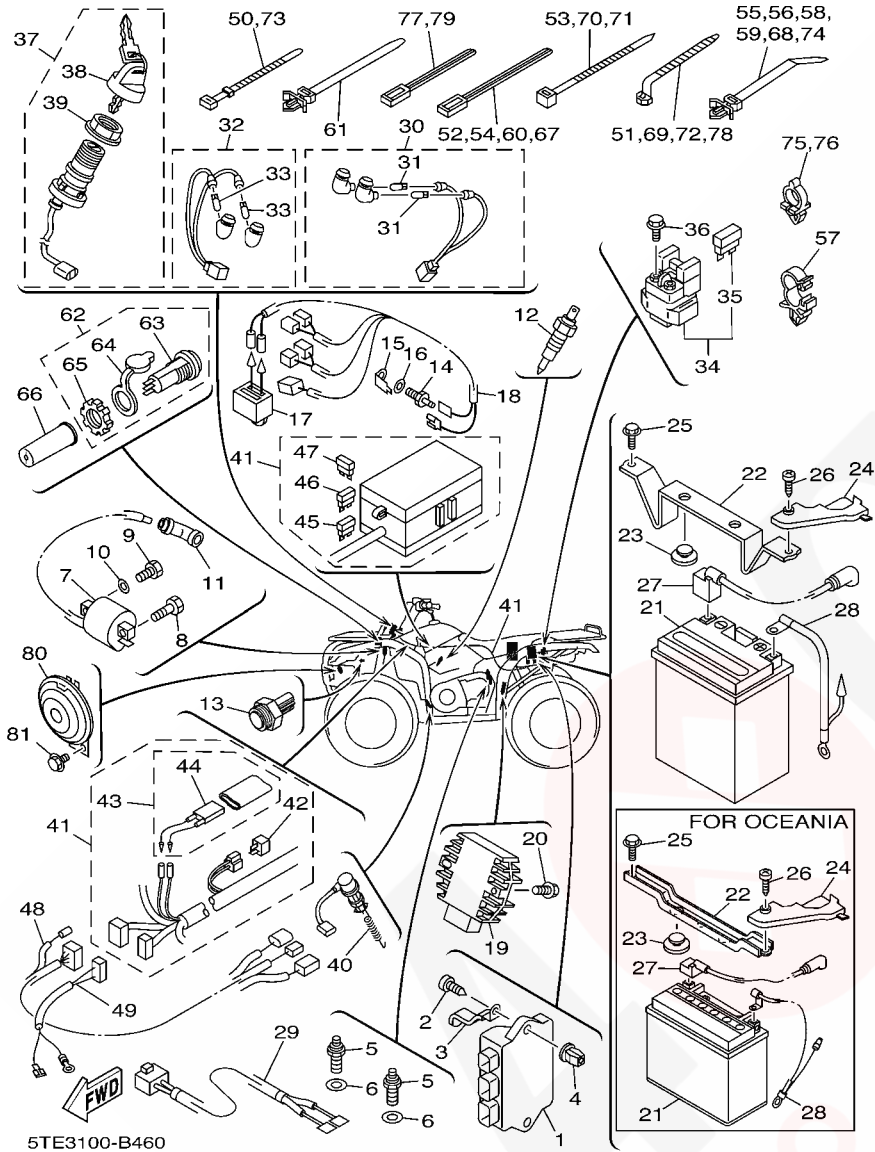


FIG. 46 ELECTRICAL 1

REF. NO.	PART NO.	DESCRIPTION	FRA	GBR	OCE	REMARKS
1	5TE-85540-00	C.D.I. UNIT ASSY	1	1	1	
2	97707-60420	SCREW, TAPPING	1	1	1	
3	90462-06016	CLAMP	1	1	1	
4	90338-08226	PLUG	1	1	1	
5	3GB-82540-01	NEUTRAL SWITCH ASSY	2	2	2	
6	90430-10148	GASKET	2	2	2	
7	3KJ-82310-10	IGNITION COIL ASSY	1	1	1	
8	90109-06723	BOLT	1	1	1	
9	97007-06020	BOLT	1	1	1	
10	92907-06600	WASHER, PLATE	1	1	1	
11	1UY-82370-20	PLUG CAP ASSY	1	1	1	
12	4BA-82560-00	THERMO SWITCH ASSY	1	1	1	
13	5ND-82560-10	THERMO SWITCH ASSY	1	1	1	
14	5FU-83790-00	HEATER ASSY (15W)	1	1	1	
15	5FU-82103-00	TERMINAL 1	1	1	1	
16	90201-08016	WASHER, PLATE	1	1	1	
17	5FU-82560-20	THERMO SWITCH ASSY	1	1	1	
18	5TE-82509-00	WIRE, SUB LEAD	1	1	1	
19	5GT-81960-00	RECTIFIER & REGULATOR ASSY	1	1	1	
20	95807-06020	BOLT, FLANGE	1	1	1	
21	5TE-H2100-00	BATTERY ASSY (YUASA YTX14AH)	1	1		(YMUS)
	5FU-H2100-20	BATTERY ASSY (YUASA YTX20L-BS)			1	(YMUS)
22	5TE-H2128-00	BRACKET, BATTERY	1	1		(YMUS)
	5ND-H2128-00	BRACKET, BATTERY			1	(YMUS)
23	371-82121-00	PAD, BATTERY	2	2	2	
24	5ND-H2119-00	COVER, LEAD WIRE	1	1	1	(YMUS)
25	95807-06020	BOLT, FLANGE	2	2	2	

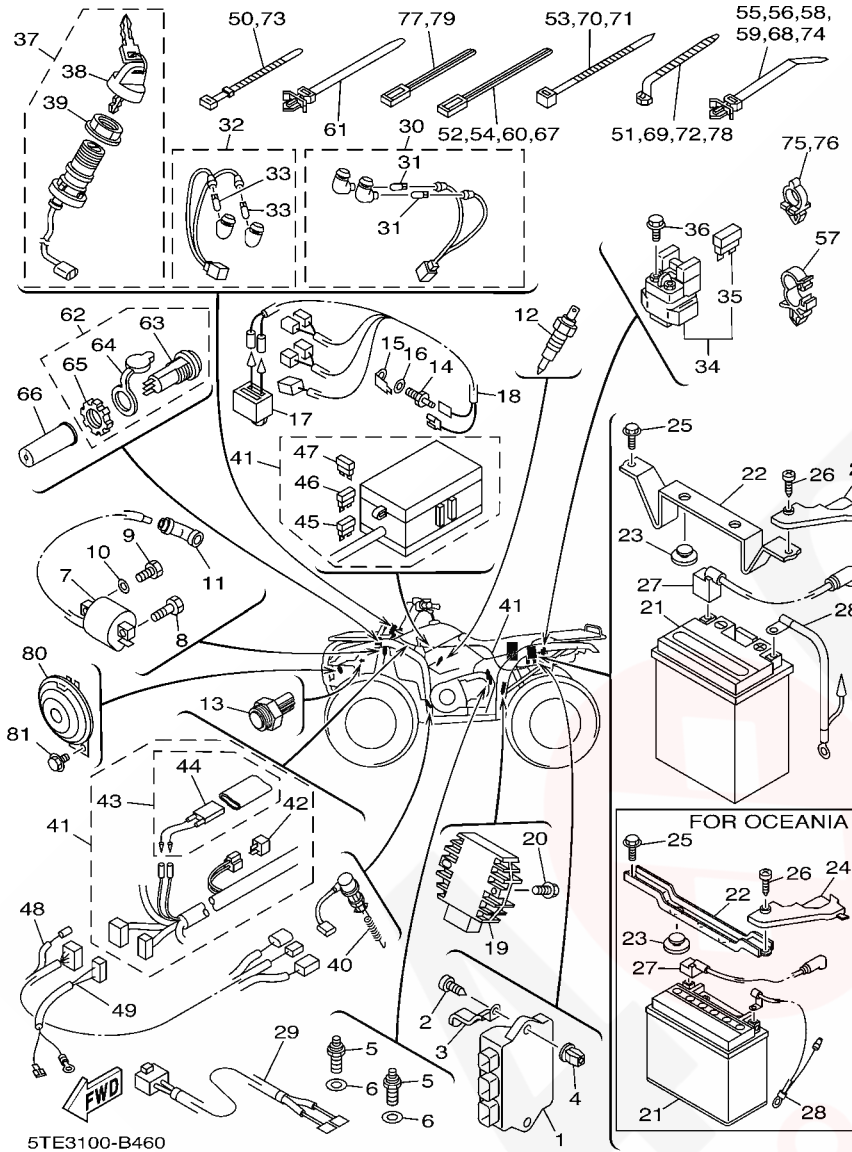


FIG. 46 ELECTRICAL 1

REF. NO.	PART NO.	DESCRIPTION	FRA	GBR	OCE	REMARKS
26	97707-60016	SCREW, TAPPING	1	1	1	
27	5TE-H2115-00	WIRE, PLUS LEAD	1	1		(YMUS)
	5ND-H2115-00	WIRE, PLUS LEAD			1	(YMUS)
28	5TE-H2116-00	WIRE, MINUS LEAD	1	1		(YMUS)
	5ND-H2116-00	WIRE, MINUS LEAD			1	(YMUS)
29	5TE-82541-00	WIRE, LEAD	1	1	1	
30	5TE-83530-00	PILOT LIGHT ASSY	1	1	1	
31	5GH-83516-00	.BULB (14V-1.7W)	2	2	2	
32	5GH-83530-10	PILOT LIGHT ASSY	1	1	1	
33	5GH-83516-00	.BULB (14V-1.7W)	2	2	2	
34	4SV-81940-00	STARTER RELAY ASSY	1	1	1	
35	1AE-82151-00	.FUSE (30A-BL)	2	2	2	
36	9502P-06008	BOLT, FLANGE	2	2	2	(YMUS)
37	5ND-82510-00	MAIN SWITCH ASSY	1	1	1	
38	3HN-82579-00	.CAP, KEY	1	1	1	
39	3HN-82569-00	.NUT, MAIN SWITCH	1	1	1	
40	4KB-82530-10	STOP SWITCH ASSY	1	1	1	
41	5TE-82590-10	WIRE HARNESS ASSY	1	1	1	
42	3WP-81980-00	.DIODE ASSY	1	1	1	
43	5ND-82180-00	.CIRCUIT BREAKER ASSY	1	1	1	
44	5ND-82560-00	.THERMO SWITCH ASSY	1	1	1	
45	5JJ-82151-10	.FUSE (15A-BL)	2	2	2	
46	5JJ-82151-30	.FUSE (10A-BL)	3	3	3	
47	5JJ-82151-50	.FUSE (3A-BL)	2	2	2	
48	5GH-82309-10	WIRE, SUB LEAD	1	1	1	
49	5GH-82509-30	WIRE, SUB LEAD	1	1	1	
50	90464-51800	CLAMP	2	2	2	(YMUS)

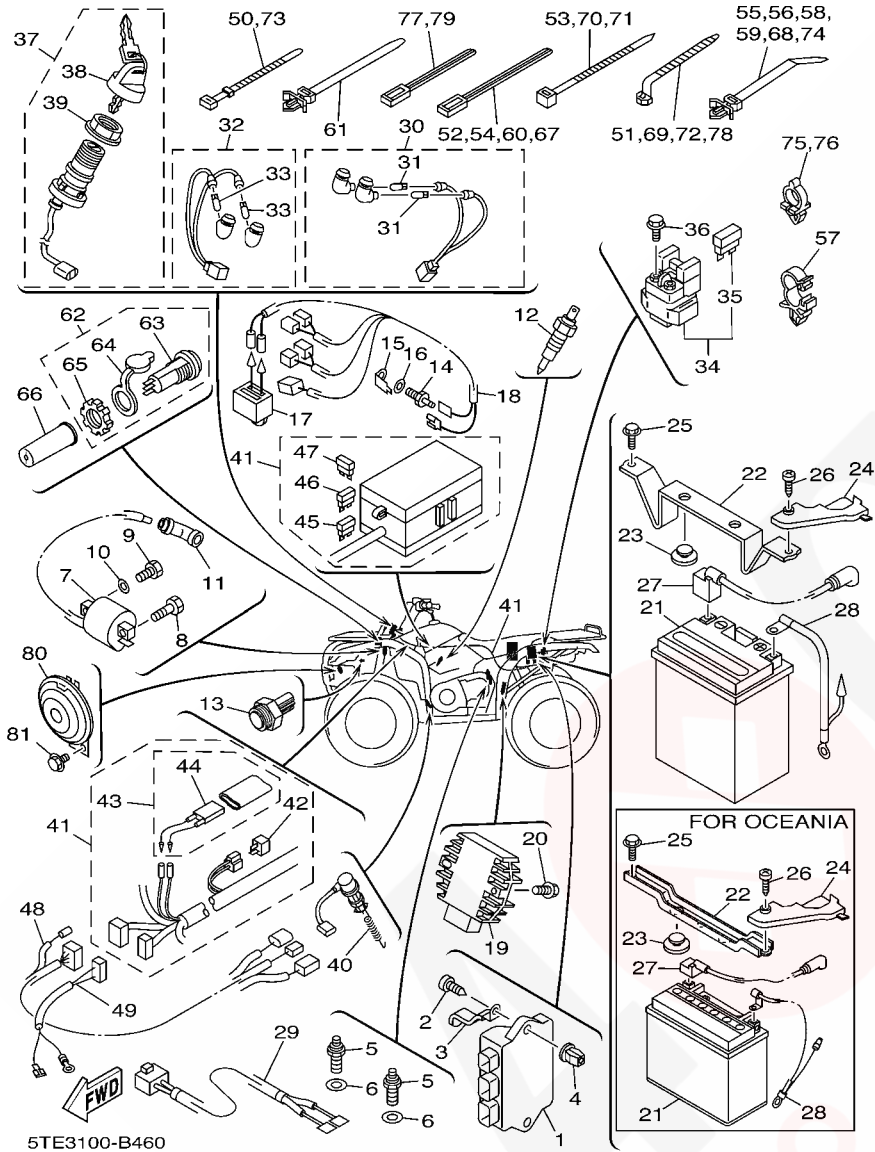


FIG. 46 ELECTRICAL 1

REF. NO.	PART NO.	DESCRIPTION	FRA	GBR	OCE	REMARKS
51	90464-12830	CLAMP	1	1	1	(YMUS)
52	90464-40825	CLAMP	1	1	1	(YMUS)
53	90464-31827	CLAMP	4	4	4	(YMUS)
54	90464-40825	CLAMP	4	4	4	(YMUS)
55	90464-25800	CLAMP	2	2	2	(YMUS)
56	90464-25800	CLAMP	2	2	2	(YMUS)
57	90464-16006	CLAMP	2	2	2	
58	90464-25800	CLAMP	1	1	1	(YMUS)
59	90464-25800	CLAMP	2	2	2	(YMUS)
60	90464-40825	CLAMP	1	1	1	(YMUS)
61	90464-38800	CLAMP	2	2	2	(YMUS)
62	5FU-H1920-00	TERMINAL ASSY	1	1	1	(YMUS)
63	5FU-H1925-00	.TERMINAL	1	1	1	(YMUS)
64	5FU-H1942-00	.COVER	1	1	1	(YMUS)
65	5FU-H191B-00	.NUT	1	1	1	(YMUS)
66	5FU-H2599-01	COVER, CONNECTER	1	1	1	(YMUS)
67	90464-40825	CLAMP	1	1	1	(YMUS)
68	90464-25800	CLAMP	1	1	1	(YMUS)
69	90464-12830	CLAMP	1	1	1	(YMUS)
70	90464-31827	CLAMP	1	1	1	(YMUS)
71	90464-31827	CLAMP	2	2	2	(YMUS)
72	90464-12830	CLAMP	1	1	1	(YMUS)
73	90464-51800	CLAMP	1	1	1	(YMUS)
74	90464-25800	CLAMP	1	1	1	(YMUS)
75	90464-10833	CLAMP	1	1	1	(YMUS)
76	90464-10833	CLAMP	2	2	2	(YMUS)
77	90464-48800	CLAMP	3	3	3	(YMUS)

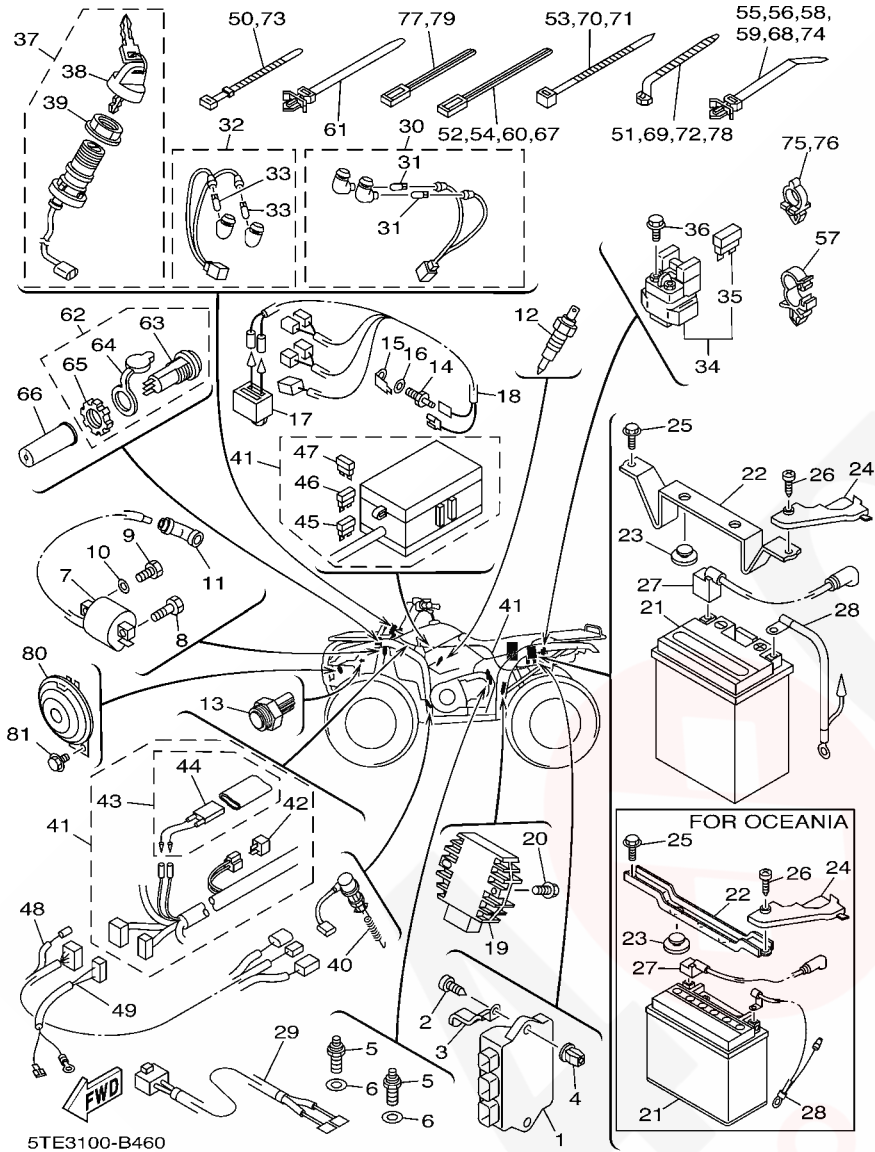
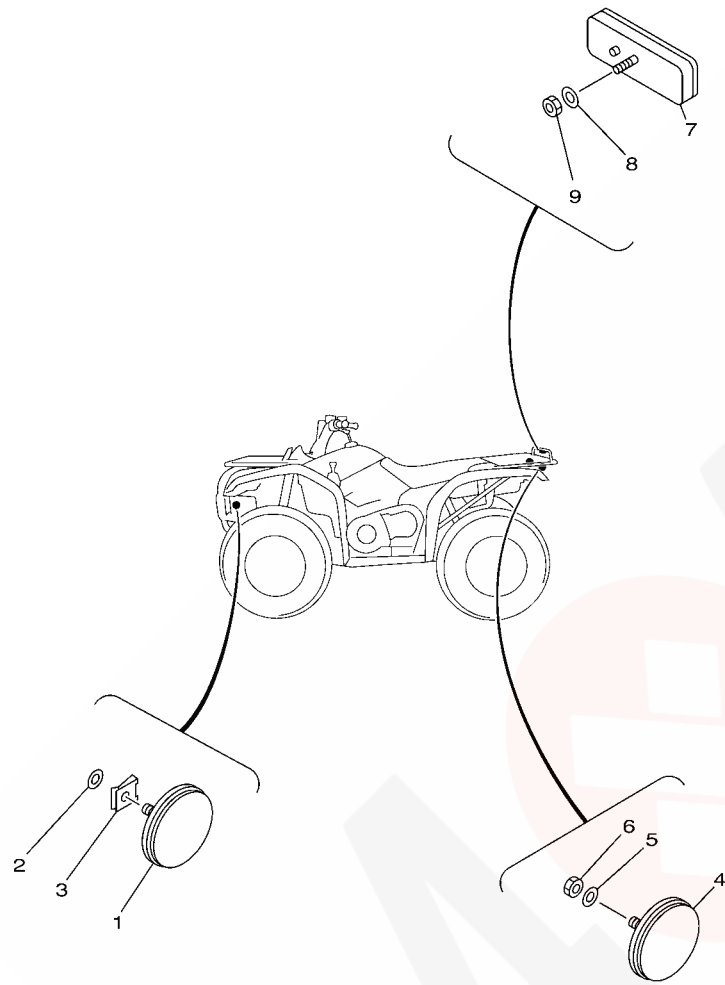


FIG. 46 ELECTRICAL 1

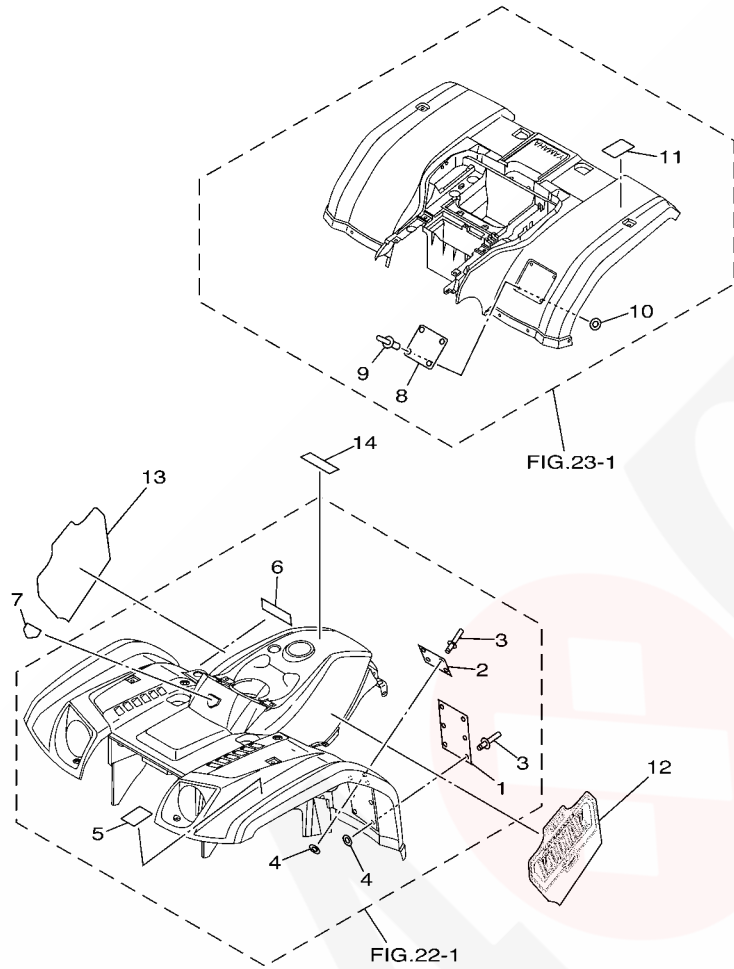
REF. NO.	PART NO.	DESCRIPTION	FRA	GBR	OCE	REMARKS
78	90464-12830	CLAMP	1	1	1	(YMUS)
79	90464-48800	CLAMP	1	1	1	(YMUS)
80	4WV-83371-00	HORN	1	1	1	
81	95817-06012	BOLT, FLANGE	1	1	1	
-----						
-----						
-----						
-----						
-----						
-----						
-----						
-----						
-----						
-----						

FIG. 47 ELECTRICAL 2



  
5ND1100-3501

REF. NO.	PART NO.	DESCRIPTION	FRA	GER	OCE	REMARKS
1	2EK-85111-00	REFLECTOR, FRONT 1	2	2		
2	92907-05200	WASHER	2	2		
3	90183-05024	NUT, SPRING	2	2		
4	449-85131-02	REFLECTOR, REAR 1	2	2		
5	92907-05200	WASHER	2	2		
6	95307-05600	NUT	2	2		
7	3Y6-85130-02	REAR REFLECTOR ASSY	1	1		
8	92907-05200	WASHER	1	1		
9	95307-05600	NUT	1	1		



5TE3100-B480

FIG. 48 EMBLEM & LABEL 1

REF. NO.	PART NO.	DESCRIPTION	FRA	GBR	OCE	REMARKS
1	4XE-F1568-50	LABEL, WARNING	1	1		(YMUS)
2	4XE-F415A-20	LABEL, CAUTION	1	1		(YMUS)
3	4XE-F1539-10	RIVET	10	10		(YMUS)
4	4XE-F1549-00	WASHER, FENDER MOLD	10	10		(YMUS)
5	5ND-F4877-20	LABEL, CAUTION	1	1		(YMUS)
6	5TE-F155A-00	MARK, CE	1	1		(YMUS)
7	5FU-F6232-00	EMBLEM 3D	1	1		(YMUS)
8	5ND-F1696-00	LABEL, CAUTION	1	1		(YMUS)
9	4XE-F1539-10	RIVET	4	4		(YMUS)
10	4XE-F1549-00	WASHER, FENDER MOLD	4	4		(YMUS)
11	5ND-F4897-20	EMBLEM	1	1		(YMUS)
12	5TE-F1781-00	EMBLEM 1	1	1		FOR RTR (YMUS)
	5TE-F1781-10	EMBLEM 1	1	1		FOR PDG (YMUS)
	5TE-F1781-30	EMBLEM 1	1	1		FOR DPBSE(YMUS)
13	5TE-F1782-00	EMBLEM 2	1	1		FOR RTR (YMUS)
	5TE-F1782-10	EMBLEM 2	1	1		FOR PDG (YMUS)
	5TE-F1782-30	EMBLEM 2	1	1		FOR DPBSE(YMUS)
14	4XE-F415E-10	LABEL, CAUTION		1		(YMUS)

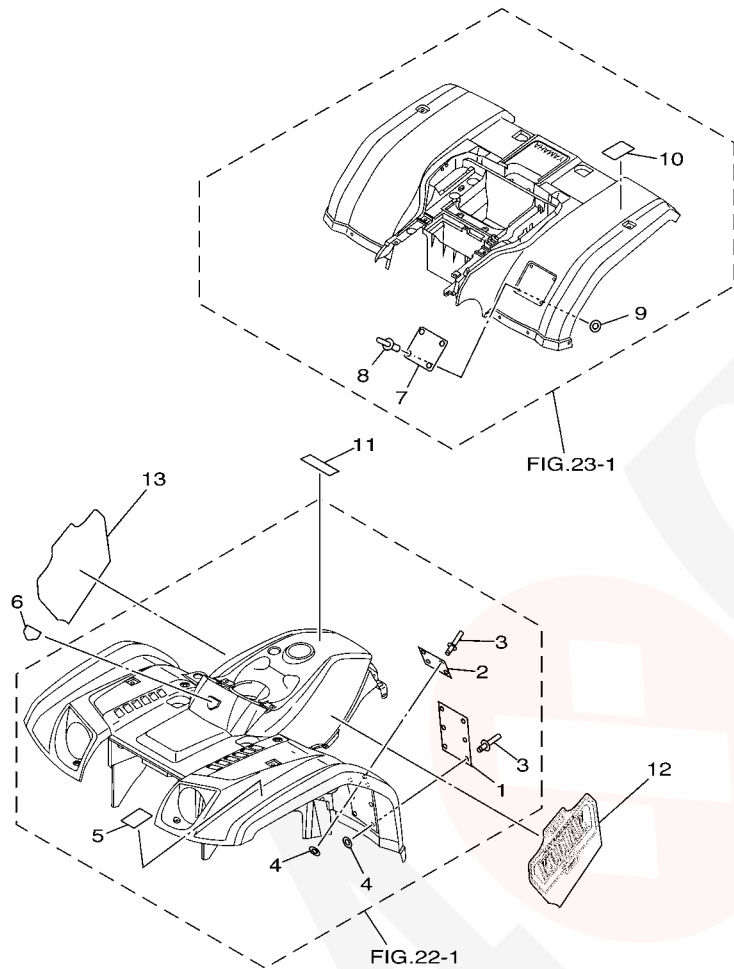


FIG. 49 EMBLEM & LABEL 2

REF. NO.	PART NO.	DESCRIPTION	FRA	GBR	OCE	REMARKS
1	4XE-F1568-10	LABEL, WARNING			1	(YMUS)
2	4XE-F415A-00	LABEL, CAUTION			1	ENGLISH (YMUS)
3	4XE-F1539-10	RIVET			10	(YMUS)
4	4XE-F1549-00	WASHER, FENDER MOLD			10	(YMUS)
5	5ND-F4877-20	LABEL, CAUTION			1	(YMUS)
6	5FU-F6232-00	EMBLEM 3D			1	(YMUS)
7	5FU-F1696-00	LABEL, CAUTION			1	ENGLISH (YMUS)
8	4XE-F1539-10	RIVET			4	(YMUS)
9	4XE-F1549-00	WASHER, FENDER MOLD			4	(YMUS)
10	5ND-F4897-20	EMBLEM			1	(YMUS)
11	4XE-F415E-00	LABEL, CAUTION			1	(YMUS)
12	5TE-F1781-30	EMBLEM 1			1	(YMUS)
13	5TE-F1782-30	EMBLEM 2			1	(YMUS)



5TE3100-B490



NUMERICAL INDEX

PART NO.	GRID NO.	PART NO.	GRID NO.	PART NO.	GRID NO.	PART NO.	GRID NO.	PART NO.	GRID NO.	PART NO.	GRID NO.
5GH-11110-00	B - 2	5GH-12420-01	B - 8	5DM-14561-00	B - 12	21V-15751-00	C - 5	4WV-17684-00	C - 8	3GD-25827-00	E - 5
5GH-1111F-00	B - 2	5GH-12421-01	B - 8	1FN-14565-00	B - 13	3X3-15755-00	C - 5	4WV-17811-00	F - 2	3GD-25828-00	E - 5
3Y1-11133-11	B - 2	5GH-12422-00	B - 8	3GD-14613-00	B - 14	21V-15767-00	C - 5	59V-17811-00	F - 2	5KM-2583T-01	E - 10
4KB-11145-00	B - 7	5GH-12428-00	B - 8	5ND-1490H-00	B - 13	21V-15779-00	C - 5	4WV-17831-00	F - 2	5JX-25852-01	E - 10
4WU-11160-00	B - 2	11H-12438-10	B - 8	5ND-1490J-00	B - 12	5GH-16611-00	C - 7	4WV-17841-00	F - 2	4L0-25854-00	E - 10
4KB-11165-00	B - 2	5GH-12446-00	B - 9	5GH-14918-00	B - 13	5GH-16620-00	C - 7	5TE-18115-00	C - 13	2GU-25866-00	E - 10
371-11167-01	B - 2	5CG-12450-00	B - 8	5GH-14918-10	B - 12	5GH-16626-00	C - 7	5TE-18128-00	C - 13	5GH-25867-00	E - 10
5GH-11181-00	B - 2	5GH-12481-00	B - 9	5DM-14933-00	B - 12	5GH-16664-00	C - 7	5GH-18131-00	C - 13	1FK-2589F-00	E - 10
2NL-11186-00	B - 2	5GH-12484-00	B - 9	5GH-14937-00	B - 13	5TE-17158-00	C - 9	1KT-18157-00	C - 13	3GD-25933-00	E - 5
214-11198-01	B - 15	4KB-13161-01	B - 10	5GH-14940-10	B - 12	5GH-17223-00	C - 9	5TE-18174-00	C - 13	1NV-26129-00	E - 8
	D - 6	3Y1-13310-01	B - 10	256-14956-01	B - 13	5GT-17285-00	C - 9	5TE-18191-00	C - 13	4WV-26250-10	E - 8
	D - 10	5GH-13314-00	B - 10	3H1-14962-00	B - 12	5TE-17402-00	C - 9	4SH-18198-00	C - 13	1NV-26259-01	E - 8
5GH-11310-00	B - 4	1UY-13316-00	B - 10	5DM-14985-00	B - 13	5GH-17453-10	C - 9	5TE-18300-00	C - 13	1NV-2625G-01	E - 8
5GH-11351-00	B - 4	5GH-13324-00	B - 10	5TE-15100-00	B - 15	5GH-17521-00	C - 10	5GH-18318-00	D - 9	1NV-2625K-00	E - 8
5GH-11400-10	B - 5	5GH-13325-00	B - 10	5GH-15113-00	C - 3	5GT-17523-00	C - 9	5GH-18319-00	D - 9	4KB-2628F-10	E - 8
5GH-11447-00	B - 5	3GD-13329-00	B - 10	5GH-15163-00	B - 15	4VR-17527-00	C - 11	5GH-18511-00	C - 12	4KB-2628G-00	E - 8
5ND-11500-00	B - 5	1UY-13336-00	B - 10	5GH-15317-00	C - 3	5GH-17531-00	C - 10	5GH-18514-00	D - 9	1NV-26304-00	E - 8
5GH-11603-00	B - 5	51Y-13411-00	B - 10	5GH-15333-00	C - 2	52G-17531-01	C - 10	4KB-18531-01	C - 12	5GH-26311-01	E - 8
5GH-11605-00	B - 5	2XK-13416-00	B - 10	5GH-15338-00	C - 2	5GH-17531-10	C - 10	5TE-18541-00	C - 12	5EB-26332-00	E - 10
5GH-11607-00	B - 5	5GH-13440-00	B - 10	4HC-15351-00	B - 10	52G-17531-11	C - 10	5GH-18617-00	C - 13	5TE-26341-00	E - 8
5GH-11631-00	B - 5	5GH-13586-00	B - 11	5KM-15351-00	C - 3	5GH-17531-20	C - 10	1AA-21815-00	D - 4	20E-26343-00	E - 8
3LD-11633-00	B - 5	5TE-14101-00	B - 12	5GH-15362-00	B - 15	52G-17531-21	C - 10	1AA-21874-00	D - 4		E - 11
5GH-11636-00	B - 5	5GH-14103-01	B - 13	2N4-15371-00	D - 6	5GH-17531-30	C - 10	1W1-22128-00	D - 11	5TE-26361-00	E - 11
5GH-11638-00	B - 5	5GH-14105-10	B - 12	5GH-15379-00	C - 3	52G-17531-31	C - 10	2HR-23526-00	D - 12	5GH-2637F-00	E - 11
5GH-11651-01	B - 5	4SV-14107-20	B - 12	4WV-15381-00	C - 2	5GH-17531-40	C - 10	1UY-23812-00	D - 13	1NV-26398-00	E - 8
5GH-11681-00	B - 5	5GH-1410A-00	B - 12	2K7-15383-00	B - 15	52G-17531-41	C - 10	8K1-23814-00	D - 13	109-27114-00	D - 5
5GH-12111-00	B - 6	5DM-14112-00	B - 12	11H-15383-02	C - 10	5GH-17531-50	C - 11	2GU-23872-00	C - 14	1NV-2811A-01	C - 15
22U-12113-00	B - 6	5DM-14141-40	B - 12	5GH-15388-00	B - 15	52G-17531-51	C - 10	5GH-24260-00	D - 14	5GH-28349-00	D - 2
1UY-12114-01	B - 6	4KM-14142-17	B - 13	5GH-15411-00	C - 3	5GH-17531-60	C - 11	4SH-24261-00	D - 14	3HN-46108-01	D - 8
3Y1-12116-00	B - 6	3H1-14147-00	B - 12	5GH-15414-00	B - 15	5GH-17551-00	C - 10	5GH-24500-00	D - 14	4WV-46119-00	D - 9
3Y1-12117-01	B - 6	4WV-14147-10	B - 12	5ND-15431-00	C - 3	5GH-17556-01	C - 10	4X8-24512-00	D - 14	4WV-46119-10	D - 9
1J7-12118-00	B - 6	1UY-14155-00	B - 13	5GH-15442-00	C - 2	5GH-17582-00	C - 9	3AJ-24523-00	D - 14	4WV-46119-20	D - 9
5GH-12121-00	B - 6	522-14161-00	B - 12	5GH-15443-01	C - 5	5GH-17583-00	C - 9	5GH-24524-00	D - 14	4WV-46119-30	D - 9
M01-12129-00	B - 6	127-14186-00	B - 12	5GH-15451-00	C - 3	5GH-17585-00	C - 11	3AJ-24534-00	D - 14	4WV-46119-40	D - 9
3GD-12151-00	B - 6	3FV-14191-00	B - 12	5GH-15454-00	B - 15	5GH-17611-00	C - 7	5KM-24610-00	D - 14	4WV-46119-50	D - 9
3Y1-12156-00	B - 6	24W-14193-00	B - 11	5GH-15463-00	B - 15	5GH-1761A-00	C - 11	5GH-2510G-00	E - 2	4WV-46119-60	D - 9
31G-12158-00	B - 6	4KB-14193-20	B - 12	5GH-15512-00	C - 6	5GH-17620-00	C - 7	3HN-2510H-00	E - 2	4WV-46119-70	D - 9
31G-12159-02	B - 6	5GH-14197-00	B - 13	5GH-15517-10	C - 6	5GH-17623-00	C - 7	5GH-2510J-00	E - 2	4WV-46119-80	D - 9
5GH-12171-00	B - 7	3DM-14216-00	B - 13	4KB-15522-01	C - 6	5GH-17632-00	C - 7	3HN-2511G-01	E - 2	5GH-46123-00	D - 10
5GH-12176-10	B - 7	4KM-14216-00	B - 12	1UY-15590-01	C - 6	5GH-17639-00	C - 7	3HN-2511H-00	E - 2	29U-46125-00	D - 6
31G-12210-01	B - 7	3G2-14231-15	B - 12	5GH-15710-21	C - 5	5GH-17641-00	C - 7	5GT-2512A-00	E - 2	5GH-46126-00	D - 10
3GD-12213-00	B - 7	1HX-14231-16	B - 12	21V-15713-00	C - 5	4WV-17644-00	C - 8		E - 7	4WV-46132-00	D - 10
31G-12214-00	B - 7	3G2-1423A-77	B - 12	24W-15714-00	C - 5	4WV-17653-00	C - 7	3HN-2512G-01	E - 2	5GH-46136-00	D - 10
31G-12222-00	B - 7	5GH-14261-00	B - 12	21V-15715-01	C - 5	4WV-17654-01	C - 7	4KB-2512H-00	E - 2	5KM-46137-00	D - 10
5GH-12231-10	B - 7	31A-14419-00	B - 11	21V-15716-01	C - 5	5GH-17660-00	C - 7	2HR-2512J-00	E - 2	5GH-46141-00	D - 9
5GH-12241-00	B - 7	5BF-1443E-00	C - 3	1UY-15719-00	C - 3	4CW-17664-00	C - 8	4SH-25367-01	E - 6	5GH-46141-01	D - 9
2TV-12411-00	B - 9		D - 3	1UY-15723-00	C - 5	5GH-17670-00	C - 7	3GD-2580T-00	E - 5	4WV-46143-00	D - 9
5GH-12413-00	B - 9	583-14561-00	B - 12	21V-15741-00	C - 5	5TE-17681-00	C - 9	3GD-2580U-00	E - 5	4WV-46155-00	D - 9

NUMERICAL INDEX

PART NO.	GRID NO.	PART NO.	GRID NO.	PART NO.	GRID NO.	PART NO.	GRID NO.	PART NO.	GRID NO.	PART NO.	GRID NO.
4WV-46159-00	D - 9	2XJ-82913-00	F - 5	5ND-E442F-00	B - 11	5ND-F1500-70	D - 2	5ND-F3350-00	D - 12	5FU-F531E-00	E - 7
5GH-46160-02	D - 9	4V4-82913-00	E - 8	5ND-E4437-00	B - 11	5ND-F1500-80	D - 2	5ND-F3391-00	D - 2	5FU-F531E-10	E - 7
5GH-46160-03	D - 9	4WV-83371-00	F - 9	5ND-E4438-00	B - 11	5ND-F1513-00	C - 14	5ND-F3501-00	E - 2	5TE-F5321-00	E - 6
5GH-46161-00	D - 9	5GH-83500-00	F - 2	5ND-E4451-00	B - 11	5ND-F151K-00	D - 5	5ND-F3502-00	E - 3	5FU-F5327-00	E - 7
5GH-46162-00	D - 9	5GH-83500-10	F - 2	5ND-E4453-00	B - 11	4XE-F1539-10	F - 11	5ND-F3540-00	D - 12	5FU-F5336-00	E - 7
4WV-46165-00	D - 9	5GH-83516-00	F - 7	5ND-E4458-00	B - 11		F - 12	5FU-F3549-00	D - 12	5FU-F5351-00	E - 6
4WV-46167-00	D - 10	5GH-83517-00	F - 2	5ND-E4462-00	B - 11	4XE-F1549-00	F - 11		E - 2	5TE-F5355-00	E - 6
5GH-4616A-01	D - 9	5GH-83520-10	F - 2	5ND-E4468-00	B - 11		F - 12	5ND-F3550-00	D - 12	5FU-F5377-00	E - 7
2HR-46187-00	D - 8	3GH-83523-00	F - 2	5ND-E4611-00	B - 14	5TE-F155A-00	F - 11	5ND-F357A-00	D - 12	5FU-F5377-10	E - 7
4WV-46441-00	D - 9	5TE-83530-00	F - 7	5ND-E4628-00	B - 14	4XE-F1568-10	F - 12	5ND-F358A-00	D - 12	5FU-F537Y-00	E - 7
5GH-46470-01	D - 9	5GH-83530-10	F - 7	5ND-E4711-00	B - 14	4XE-F1568-50	F - 11	5ND-F3813-00	D - 13	5TE-F5381-00	E - 7
5GH-46470-02	D - 9	3GH-83578-00	F - 2	5ND-E4714-00	B - 14	5ND-F1575-00	D - 2	5ND-F3816-00	D - 13	5ND-F5383-00	E - 6
5ND-81410-00	E - 14	5FU-83790-00	F - 6	5ND-E4715-00	B - 14	5ND-F1585-00	C - 15	5ND-F3831-00	D - 13	5ND-F5383-10	E - 6
5GH-81450-00	E - 14	1UY-83909-00	F - 5	5ND-E4718-00	B - 14	5ND-F1600-30	D - 3	4XE-F3833-00	D - 13	5FU-F5384-00	E - 7
3AJ-81801-00	E - 15	2HT-83912-00	F - 5	5ND-E4719-00	B - 14	5ND-F1600-50	D - 3	4XE-F3834-00	D - 13	5ND-F5390-10	E - 6
3AJ-81826-00	E - 15	5KM-83922-00	E - 10	5ND-E4728-00	B - 14	5ND-F1600-60	D - 3	5FU-F3841-00	D - 13	4XE-F5816-00	E - 7
4XV-8182A-00	E - 15	5GH-83941-00	F - 5	5ND-E4737-00	B - 14	5ND-F1600-70	D - 3	5FU-F3845-00	D - 13	4XE-F5818-00	E - 7
11H-81844-00	E - 15	3L4-83943-00	F - 5	5ND-E4752-00	B - 14	5ND-F163A-00	D - 3	5ND-F3868-00	D - 13	5ND-F582T-00	E - 5
1FK-81847-00	E - 15	1YW-83965-00	F - 5	5ND-E4759-00	B - 14	5ND-F163E-00	D - 3	4XE-F3894-00	D - 13	4XE-F5833-00	E - 6
5KM-81890-00	E - 15	5LP-83973-01	F - 5	5ND-E4769-00	B - 11	5ND-F163F-00	D - 3	5ND-F4110-00	D - 14	5ND-F5871-00	E - 10
4SV-81940-00	F - 7	4GB-83976-00	F - 5	5ND-E4771-00	B - 14	5ND-F1652-00	D - 3	5ND-F414H-00	D - 14	5ND-F5872-00	E - 10
5GT-81960-00	F - 6	4WV-83976-00	E - 8	5ND-E477K-00	B - 14	5FU-F1696-00	F - 12	4XE-F415A-00	F - 12	5ND-F5873-00	E - 10
3WP-81980-00	F - 7	5LP-83980-00	E - 10	5ND-E4788-00	B - 14	5ND-F1696-00	F - 11	4XE-F415A-20	F - 11	5ND-F5875-00	E - 10
5FU-82103-00	F - 6	3FA-83980-02	F - 5	5ND-E5336-00	C - 3	5ND-F1711-00	D - 4	4XE-F415E-00	F - 12	4XE-F5898-00	E - 6
371-82121-00	F - 6	2GU-84332-00	F - 3		C - 14	5ND-F171A-00	D - 4	4XE-F415E-10	F - 11	5FU-F6111-00	E - 8
1AE-82151-00	F - 7	2GU-84334-00	F - 3	5ND-E5413-00	C - 4	5ND-F171A-10	D - 4	5ND-F4311-00	D - 14	5ND-F6124-00	E - 8
5JJ-82151-10	F - 7	5GH-84703-00	F - 3	5ND-E5423-00	C - 4	5ND-F171A-30	D - 4	5ND-F470F-00	D - 15	5FU-F6232-00	F - 11
5JJ-82151-30	F - 7	5KM-84710-00	F - 4	5ND-E5434-00	C - 3	5ND-F1721-00	D - 4	5ND-F470F-20	D - 15		F - 12
5JJ-82151-50	F - 7	1A2-84714-41	F - 4	5ND-E5471-00	C - 3	5ND-F174A-00	D - 4	5ND-F4710-00	D - 15	5FU-F6241-00	E - 8
5ND-82180-00	F - 7	5KM-8472C-10	F - 4	5ND-E5472-00	C - 3	5ND-F174M-00	D - 4	5ND-F4710-20	D - 15	5VH-F6331-00	E - 8
5GH-82309-10	F - 7	2EK-85111-00	F - 10	5ND-E5473-00	C - 3	5ND-F174T-00	D - 4	4XE-F4747-00	D - 15	5TE-F7211-00	E - 11
3KJ-82310-10	F - 6	3Y6-85130-02	F - 10	5ND-E5474-00	C - 3	5FU-F175B-01	D - 2	5ND-F4776-00	D - 15	5TE-F7412-00	E - 11
1UY-82370-20	F - 6	449-85131-02	F - 10	4XE-E7537-15	D - 6	5TE-F1781-00	F - 11	4XE-F478V-00	D - 15	5ND-F741A-00	E - 11
5TE-82509-00	F - 6	5TE-85540-00	F - 6	4XE-E7537-30	D - 6	5TE-F1781-10	F - 11	5TE-F4841-00	E - 13	5ND-F7445-00	E - 11
5GH-82509-30	F - 7	5ND-E1166-00	B - 2	4XE-E7537-40	D - 6	5TE-F1781-30	F - 11	5ND-F4842-00	E - 13	5ND-F7453-00	E - 11
5ND-82510-00	F - 7	5ND-E2405-00	B - 9	4XE-E7537-45	D - 7		F - 12	5ND-F4842-10	E - 13	5ND-F7463-00	E - 11
4KB-82530-10	F - 7	5ND-E240A-00	B - 9	4XE-E7537-50	D - 7	5TE-F1782-00	F - 11	5ND-F4877-20	F - 11	5ND-F7471-00	E - 11
3GB-82540-01	F - 6	5ND-E2462-00	B - 9	4XE-E7537-60	D - 7	5TE-F1782-10	F - 11		F - 12	5TE-F7491-00	E - 11
3GD-82540-11	D - 10	5ND-E2482-00	B - 9	5TE-F1110-00	C - 14	5TE-F1782-30	F - 11	5ND-F4897-20	F - 11	5ND-F8100-00	C - 15
5TE-82541-00	F - 7	5ND-E2483-00	B - 9	5ND-F1315-00	C - 14		F - 12		F - 12	5ND-F8309-00	D - 2
4BA-82560-00	F - 6	5ND-E2535-00	B - 9	5ND-F1316-00	C - 14	5ND-F1871-00	D - 4	5TE-F510F-00	E - 2	5ND-F8309-10	D - 2
5ND-82560-00	F - 7	5ND-E2675-00	B - 9	4XE-F1399-00	E - 13	5ND-F2110-00	D - 5	5ND-F5111-10	E - 2	5TE-F837L-00	D - 2
5ND-82560-10	F - 6	5ND-E4191-00	B - 11	5ND-F1446-00	C - 15	5ND-F2123-00	D - 5	5ND-F5111-20	E - 2	5TE-F842A-00	E - 13
5FU-82560-20	F - 6		C - 13	5ND-F147A-00	C - 15	5ND-F2189-00	D - 5	4XE-F5133-00	E - 6	5ND-F845N-00	E - 13
3HN-82569-00	F - 7	5ND-E4349-00	B - 11	5ND-F1486-00	C - 14	4XE-F219X-00	D - 5	5TE-F513A-00	E - 6	5ND-F8488-00	D - 5
3HN-82579-00	F - 7	5ND-E4411-00	B - 11	5ND-F1488-00	C - 14	5ND-F2210-00	D - 11	5ND-F514A-00	E - 4	5ND-F8488-10	D - 5
5TE-82590-10	F - 7	5ND-E4412-00	B - 11	5ND-F1500-50	D - 2	5ND-F2825-00	C - 15	5ND-F5180-10	E - 2	5ND-G6101-00	D - 6
1YW-82911-02	F - 5	5ND-E4424-00	B - 11	5ND-F1500-60	D - 2	5ND-F3123-00	D - 12	5FU-F5319-00	E - 7	4XE-G6102-00	D - 6

NUMERICAL INDEX

PART NO.	GRID NO.	PART NO.	GRID NO.	PART NO.	GRID NO.	PART NO.	GRID NO.	PART NO.	GRID NO.	PART NO.	GRID NO.
4XE-G6117-25	D - 7	5FU-H4314-00	F - 3	90119-06227	D - 3	90201-10118	E - 10	90340-18101	B - 15	90464-31827	F - 8
4XE-G6117-30	D - 7	5FU-H4320-00	F - 3	90119-06831	D - 14	90201-10128	B - 2	90381-08002	F - 2	90464-38800	F - 8
4XE-G6117-35	D - 7	5FU-H4340-00	F - 3	90123-08046	F - 5	90201-101J1	C - 14	90387-060A7	B - 9	90464-40825	F - 8
4XE-G6117-40	D - 7	8CR-W0041-00	E - 10	90149-04278	E - 8		E - 7	90387-0613B	C - 13	90464-48800	F - 8
4XE-G6117-45	D - 7	3GD-W0045-00	E - 5	90149-05299	E - 11	90201-10321	B - 5	90387-06681	C - 15	90464-51800	F - 7
4XE-G6117-50	D - 7	3GD-W0047-00	E - 5	90149-06011	D - 14	90201-10591	B - 7	90387-066J1	D - 14	90465-08336	C - 13
4XE-G6118-10	D - 7	1UY-W0048-50	E - 5	90149-08152	C - 10	90201-106E0	B - 14	90387-067V1	D - 2	90467-06194	B - 8
4XE-G6118-11	D - 7	3GD-W0057-00	E - 5	90149-08268	E - 5	90201-108P8	D - 8	90387-07598	D - 14		B - 13
4XE-G6118-12	D - 7	5GH-W1141-00	B - 5	90150-05802	F - 3	90201-114P2	B - 10	90387-090R0	D - 13	90467-07029	D - 8
4XE-G6118-13	D - 7	5GH-W1142-00	B - 5	90151-05023	C - 3	90201-12163	F - 2	90387-10636	B - 14		D - 10
4XE-G6118-14	D - 7	5FU-WF536-00	E - 6	90151-06014	B - 15	90201-123K4	C - 6	90387-16547	B - 4	90467-07093	E - 7
4XE-G6118-15	D - 7	4WV-Y1754-00	C - 10	90153-06029	B - 4	90201-127J6	D - 11	90387-1914K	C - 7	90467-08003	D - 4
4XE-G6118-16	D - 7	5GT-Y4612-00	D - 6	90157-04088	C - 7	90201-132G5	C - 13	90387-252R2	C - 11	90467-10008	D - 14
4XE-G6118-17	D - 7	90101-10303	B - 7	90159-05022	F - 3	90201-14222	D - 13	90387-255H9	D - 6	90467-14015	B - 2
4XE-G6118-18	D - 7	90101-10568	B - 5	90170-08358	C - 13	90201-144J2	E - 11	90387-26001	C - 9	90467-15012	C - 13
4XE-G6118-19	D - 7	90105-06005	B - 8	90170-14284	B - 10	90201-14633	C - 10	90387-284T0	E - 7	90467-16195	C - 3
4XE-G6118-20	D - 7	90105-08892	E - 7	90170-36279	C - 8	90201-168R1	E - 3	90401-06001	B - 2		D - 3
4XE-G6118-21	D - 7	90105-088B2	E - 5	90171-12816	D - 12		E - 7	90401-08038	B - 10	90467-25800	B - 9
5ND-G6151-00	D - 6	90105-10051	C - 14		D - 13	90201-190T7	C - 7	90401-10159	E - 10	90468-16191	D - 13
5ND-G6152-00	D - 6	90105-10055	C - 14	90171-16001	E - 3	90201-20278	C - 9	90401-20145	B - 10	90480-01400	D - 14
5FU-G6156-00	D - 6	90105-10421	B - 2		E - 7	90201-250R9	C - 9	90430-06014	B - 4	90480-10517	C - 15
5FU-G6157-10	D - 7	90105-10422	B - 2	90179-08148	F - 5	90201-25291	C - 6		B - 8	90480-13018	C - 3
5FU-G6157-15	D - 7	90105-10751	E - 7	90179-08410	B - 14	90201-356K1	B - 5	90430-06192	B - 2	90480-13398	C - 4
5FU-G6157-20	D - 7	90105-10890	D - 12	90179-10540	E - 2	90202-05193	D - 14	90430-08119	B - 10	90480-13567	D - 4
5FU-G6157-30	D - 7	90105-108B1	D - 12		E - 6	90209-06174	B - 9	90430-10003	D - 10	90480-15235	B - 9
5FU-G6157-40	D - 7	90105-12660	D - 5	90179-16690	C - 7	90215-06184	B - 2	90430-10148	F - 6	90480-18290	D - 14
5FU-G6157-50	D - 7	90105-12889	D - 11	90179-22005	C - 7	90215-14205	B - 10	90430-14042	C - 12	90501-10353	C - 12
5ND-G6172-00	D - 8	90105-14367	C - 12	90179-22526	C - 10	90240-08124	E - 11	90430-14240	B - 2	90501-10782	E - 8
5TE-G6173-00	D - 10	90109-063F1	C - 15	90179-55660	C - 11	90240-12092	D - 11	90430-18130	B - 15		E - 11
4XE-G6513-00	E - 7	90109-063F5	E - 11	90179-65305	C - 10	90249-12008	E - 9	90445-07807	E - 7	90501-18576	B - 10
5TE-G6540-00	D - 5	90109-06576	F - 5	90183-05008	F - 3		E - 11	90445-07809	D - 10	90501-296L7	D - 10
5ND-H1815-00	E - 15	90109-06723	F - 6	90183-05024	D - 4	90267-48830	E - 11	90445-07810	D - 8	90501-626L9	C - 8
5FU-H191B-00	F - 8	90110-05201	D - 4		F - 10	90269-05055	C - 13	90445-08811	D - 4	90501-650L5	C - 11
5FU-H1920-00	F - 8	90110-06005	F - 2	90183-06053	C - 14	90269-06800	D - 2	90445-08812	D - 4	90506-07135	D - 5
5FU-H1925-00	F - 8	90110-06007	D - 2		D - 12		F - 2	90445-088C5	D - 14	90506-12403	E - 12
5FU-H1942-00	F - 8	90110-06136	B - 9	90185-10844	D - 12	90269-08813	C - 4	90446-06001	B - 8	90506-16482	E - 7
5TE-H2100-00	F - 6	90110-06202	D - 2	90185-12072	D - 11	90280-05048	B - 5	90446-16001	C - 13	90508-35012	C - 13
5FU-H2100-20	F - 6	90113-08004	D - 10	90185-14070	C - 10	90282-05013	B - 10	90450-32015	B - 9	90560-30325	E - 2
5ND-H2115-00	F - 7	90114-10804	E - 2	90185-14081	D - 13	90336-28053	D - 13	90450-47001	B - 11	91317-05012	E - 14
5TE-H2115-00	F - 7		E - 6	90201-047R9	C - 7	90338-08226	F - 6	90450-64089	C - 4	91317-06012	B - 9
5ND-H2116-00	F - 7	90116-10840	D - 6	90201-05029	E - 11	90338-09801	D - 3	90460-56105	B - 11	91317-06020	B - 2
5TE-H2116-00	F - 7	90119-06009	E - 12	90201-05725	F - 2	90340-10001	D - 10	90460-58124	B - 11		B - 9
5ND-H2119-00	F - 6	90119-06060	D - 2	90201-06008	C - 13	90340-14029	B - 15	90460-85277	D - 5	91317-06025	B - 2
5ND-H2128-00	F - 6		D - 3	90201-06074	F - 4		D - 6	90462-06016	F - 6	91317-06140	B - 2
5TE-H2128-00	F - 6		D - 4	90201-060L5	D - 14		D - 10	90464-10833	F - 8	91317-08016	C - 6
5FU-H2599-01	F - 8	90119-06079	D - 4	90201-08016	F - 6	90340-14046	B - 15	90464-12830	F - 8	91317-08020	D - 9
5TE-H3519-00	F - 2		E - 13	90201-08083	E - 11		D - 6	90464-16006	F - 8	91317-08025	B - 11
5VH-H3550-00	F - 2	90119-06227	B - 11	90201-08085	B - 11	90340-14117	C - 3	90464-25800	F - 8	91401-20020	E - 11

NUMERICAL INDEX

PART NO.	GRID NO.	PART NO.	GRID NO.	PART NO.	GRID NO.	PART NO.	GRID NO.	PART NO.	GRID NO.	PART NO.	GRID NO.
91401-25020	D - 12	93210-16290	B - 5	93310-212R6	C - 6	95027-06035	C - 4	95827-06035	C - 3		
	D - 13	93210-18322	B - 4	93310-32590	C - 9	95027-06040	B - 15	95827-06045	C - 3		
91401-30025	D - 11	93210-18417	B - 9	93310-420F2	C - 9		C - 3	95827-08020	C - 15		
91401-30030	E - 3	93210-19522	B - 15	93310-635D4	B - 5	95027-06050	B - 8	95827-10040	B - 14		
	E - 7	93210-24253	F - 2	93311-42077	C - 9	95027-06060	B - 8	9582P-06012	E - 4		
91810-20001	C - 2	93210-26001	C - 9	93315-21813	C - 7	95027-06065	B - 15		E - 7		
91A20-07010	B - 11	93210-26606	E - 7	93316-00801	D - 10	9502P-06008	F - 7	97007-06012	B - 2		
92902-04100	B - 13	93210-27666	E - 2	93316-01003	B - 15	95307-05600	F - 10	97007-06020	F - 6		
92907-04600	B - 13	93210-32172	F - 2	93316-013Y0	D - 6	95307-05700	E - 8	97017-06014	C - 5		
92907-05100	F - 5	93210-33133	B - 8	93317-855Y9	D - 6	95307-08700	C - 13	97017-06016	C - 2		
92907-05200	F - 10	93210-33786	B - 9	93399-99926	D - 8	95317-06700	E - 11	97017-06020	E - 11		
92907-05600	E - 8	93210-35520	B - 10	93410-20038	C - 9	95606-06100	E - 10	97027-06016	B - 7		
92907-06100	F - 5	93210-44545	B - 11	93410-22039	D - 8	95607-05100	E - 8	97027-08030	C - 11		
92907-06600	B - 7		C - 7	93410-32826	D - 12	95607-06100	F - 5	9702P-08025	D - 6		
	C - 2	93210-50768	D - 10		E - 2	95607-10200	C - 14	9702P-08060	D - 13		
	C - 5	93210-57634	B - 2	93410-46079	C - 7	95607-12200	D - 5	97607-04210	E - 8		
	E - 14	93210-59531	D - 6	93430-10015	E - 11	95617-08620	B - 2	97707-60016	F - 7		
	F - 6	93210-64297	C - 15	93440-12052	B - 2	95702-06500	C - 5	97707-60420	F - 6		
92907-08600	C - 11	93210-76800	D - 8	93440-14155	C - 9	95707-05300	E - 11	98501-04014	B - 13		
9290P-08600	D - 6	93210-78544	C - 10	93440-20088	D - 8	95707-05500	F - 2	98507-03014	D - 14		
93101-10090	B - 8	93210-89447	B - 4	93440-25084	C - 9	95707-06300	F - 4	98507-03540	F - 3		
93101-12168	C - 2	93211-06635	B - 2	93450-22027	B - 5	95707-10500	D - 5	98507-04006	B - 12		
93101-31167	C - 7	93211-40040	D - 10	93450-22119	E - 2		D - 8	98507-04008	B - 13		
93101-35097	C - 10	93211-51749	D - 6	93450-24062	C - 7	9570L-06500	E - 6	98507-04016	B - 12		
	E - 6	93211-52001	C - 7	93450-44141	D - 10	95807-06012	D - 12	98507-05020	E - 8		
93101-38098	D - 6	93306-00006	B - 8	93450-71142	D - 10	95807-06014	C - 4	98507-05030	F - 5		
93101-52116	D - 6	93306-00208	C - 12	93503-08007	C - 12	95807-06020	B - 9	98507-06016	F - 2		
93102-08307	F - 2	93306-00415	C - 9	93603-07073	B - 10		F - 6	98507-06020	F - 5		
93102-15212	C - 12	93306-00438	B - 7	93603-12030	B - 10	95807-08012	D - 5	98507-06030	E - 14		
93102-24034	D - 10	93306-00515	B - 7	93603-14240	C - 9	95807-08020	C - 13		F - 2		
93102-25081	C - 14	93306-00612	C - 11	93604-10011	B - 7	95817-06010	C - 15	98517-05012	F - 5		
93102-25099	C - 14	93306-006Y2	E - 2	93900-00813	E - 2	95817-06012	C - 15	98580-04010	B - 12		
93102-28476	C - 3	93306-008Y0	E - 6		E - 6		F - 9	98706-04012	E - 10		
93102-30170	C - 11	93306-07801	C - 3	94108-12802	E - 2	95817-06035	C - 13	98707-04018	D - 14		
93102-32483	B - 15	93306-20120	C - 2	94108-12803	E - 2	95817-08030	C - 10	98707-06020	B - 10		
93102-35380	C - 11	93306-203YN	C - 14	94110-12800	E - 6	95817-10025	D - 6		B - 15		
93102-42004	C - 9	93306-20464	C - 9	94110-12801	E - 6	95817-10080	C - 14	98707-06030	B - 10		
93102-50030	D - 10	93306-20582	C - 11	94581-96116	B - 7	95817-10110	C - 14	99009-10400	B - 8		
93102-65386	D - 6	93306-20601	C - 9	94591-54038	C - 9	9581P-06008	B - 14	99009-11400	B - 10		
93104-09025	E - 8	93306-20622	C - 10	94701-00333	B - 3	9581P-06016	B - 14	99009-12400	C - 6		
93104-41119	C - 7	93306-20715	C - 10	95027-06012	B - 2	9581P-08012	C - 14	99009-80500	B - 15		
93106-38046	E - 2	93306-278Y0	E - 6		B - 8		E - 11	99530-10014	B - 15		
93106-38047	E - 2	93306-30201	C - 9		C - 2		E - 13	99530-10114	B - 15		
93106-47040	E - 6	93306-30315	B - 5	95027-06014	C - 4	9581P-08030	D - 13		C - 3		
93112-31011	D - 13	93306-30438	B - 5	95027-06016	C - 13	9581P-10020	D - 5	99530-14016	B - 2		
93210-09165	B - 6	93306-30538	C - 10	95027-06025	B - 7	95827-06012	B - 15		B - 4		
93210-14104	F - 2	93306-305Y6	D - 6	95027-06030	C - 3		E - 10				
93210-14369	C - 3	93306-30629	B - 5		E - 15		E - 10				