



PARTS CATALOGUE

YFM660FAT (5KMU) U.S.A.

YFM660FAT (5KMW) EUROPE

YFM660FAT (5KMX) OCEANIA

YFM660FWA (5KMU) JAPAN



2015/12/18

1D5KM-100E1

(2D5KM-100E1)

NEWS NO.	DATE	COMMENT
PE0-MC-040037	July, 5,2004	FIG.27/47/48 LIST/ILLUSTRATION CORRECTION
PE0-MC-040115	Sep., 8,2004	FIG.16 CLUTCH CIRCLIP CORRECTION
PE0-MC-040144	Nov.,22,2004	FIG.31 FUEL TANK ILLUSTRATION CORRECTION
PE0-MC-090004	Jan.,30,2009	MOD:FIG.48 ELECTRICAL 1 LIST REVISION
PE0-MC-150099	Dec.,11,2015	COR:YFM660(5KM,2C6,23D) FIG.40 REAR MASTER CYLINDER ILLUST. CORRECTION



A4

FOREWORD

This Parts Catalogue is related to the parts for the model(s) on the cover page. When you are ordering replacement parts, please refer to this Parts Catalogue and quote both part numbers and part names correctly.

1. Modifications or additions which have been made after the issue of the Parts Catalogue will be announced in the Parts News.
It is advisable that you make the necessary corrections to the Parts Catalogue according to the Parts News.

2. Abbreviations

The following abbreviations are used in this Parts Catalogue.

“UR” Use specified parts number.

“UN” Use as many as needed.

“AP” Alternate Parts

“LM” Locally Made (Parts need to be ordered locally)

“F#” Frame No. (Applicable machine No.)

“O/S” Over Size

3. The number of components for assembly

- Parts, which are to be supplied in an assembly, are listed with a dot (.) in front of the part name as shown below.
- The numeral appearing to the right of each component part indicates the quantity of parts for each assembly unit.

PART NO.	DESCRIPTION	Q'TY	REMARKS
2F5-83310-60	FRONT FLASHER LIGHT ASSY	2	
115-83311-60	.BULB (6V-18W)	1	

4. Applicable colours of graphics are represented in the “REMARKS” as shown below.

PART NO.	DESCRIPTION	Q'TY	REMARKS
2N4-24110-00-X5	FUEL TANK COMP.	2	MXR
3J1-24240-10	.GRAPHIC, FUEL TANK	1	FOR MXR

5. Note that the illustrations for reference in finding parts numbers are not to be used for assembling. When assembling, please use the applicable service manual.

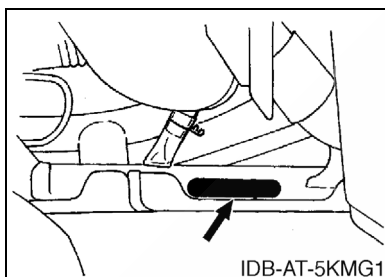
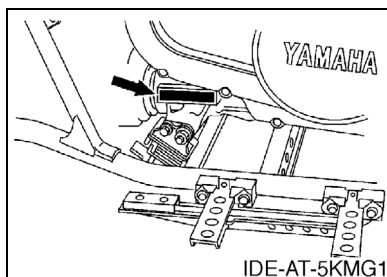
6. The asterisk (*) before a reference number indicates modified items after the first edition.

FOREWORD

7. Applicable Serial No.

Engine Serial No.

Frame Serial No.



8. Applicable Colour Code (The (*) mark shows Model colour.)

Abbreviation	Colour Name	Colour Code
DPBSE(*)	DEEP PURPLISH BLUE SOLID E	0583
DPBSN(*)	DARK PURPLISH BLUE SOLID N	0891
PDG(*)	PASTEL DEEP GREEN	00K0
RTR(*)	ROMANTIQUE ROUGE	00TR

9. Quantity Column Information

Column No.	Name Of Q'ty Column	Destination
1	USA	U.S.A.
2	EUR	FRANCE, UNITED KINGDOM
3	OCE	AUSTRALIA, NEW ZEALAND
4	JPN	JAPAN

CONTENTS

ENGINE

CYLINDER HEAD	B2
CYLINDER	B4
CRANKSHAFT & PISTON	B5
VALVE	B7
CAMSHAFT & CHAIN	B8
WATER PUMP	B9
RADIATOR & HOSE	B10
INTAKE	B12
OIL PUMP	B13
CARBURETOR	B15
EXHAUST	C3
CRANKCASE	C5
CRANKCASE COVER 1	C7
STARTER	C9
STARTER CLUTCH	C10
CLUTCH	C11
TRANSMISSION	C13
MIDDLE DRIVE GEAR	C15
SHIFT CAM & FORK	D3
SHIFT SHAFT	D5

CHASSIS

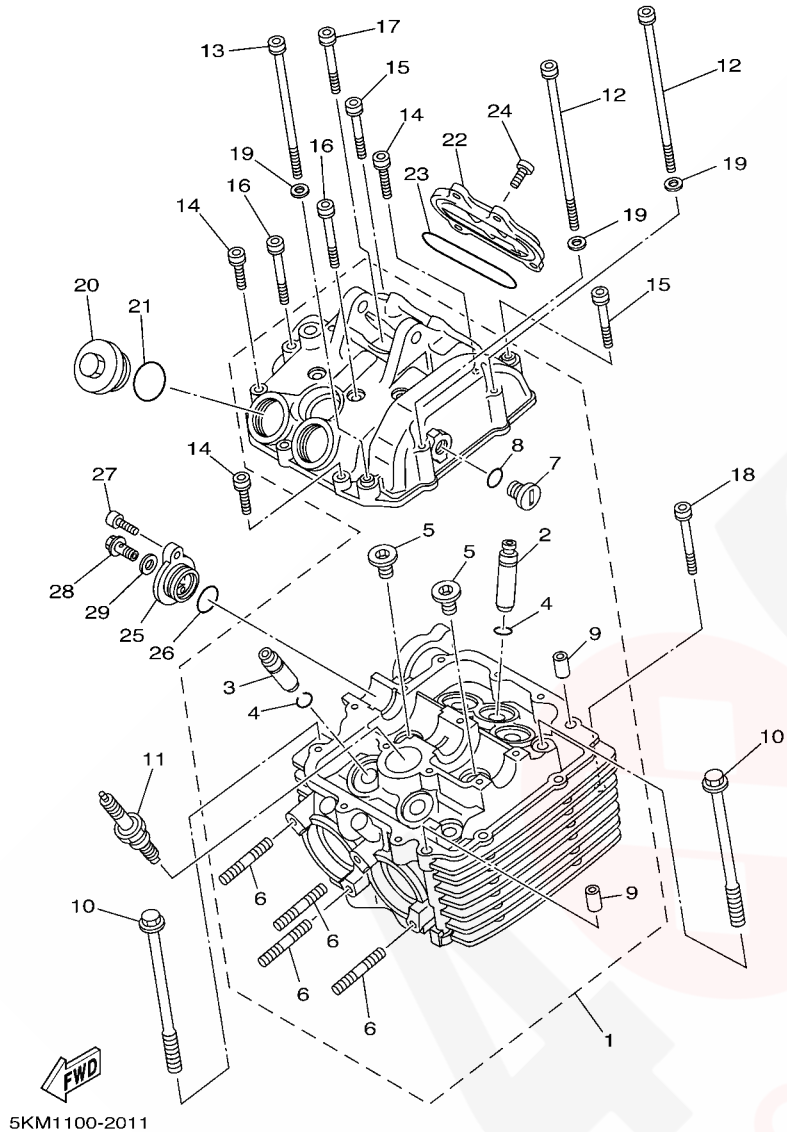
FRAME	D7
FRONT FENDER	D9
REAR FENDER	D11
SIDE COVER	D12
REAR ARM	D13
DRIVE SHAFT	D14
FRONT DIFFERENTIAL	E3
REAR SUSPENSION	E5
FRONT SUSPENSION & WHEEL	E6
STEERING	E7
FUEL TANK	E8
SEAT	E10
FRONT WHEEL	E11
FRONT BRAKE CALIPER	E13
REAR WHEEL	E14
REAR BRAKE CALIPER	F2
STEERING HANDLE & CABLE	F3
FRONT MASTER CYLINDER	F4
STAND & FOOTREST	F5

REAR MASTER CYLINDER	F6
GUARD	F8
GENERATOR	F9
STARTING MOTOR	F10
METER	F11
HEADLIGHT	F12
TAILLIGHT	F13
HANDLE SWITCH & LEVER	F14
ELECTRICAL 1	F15
ELECTRICAL 2	G5
EMBLEM & LABEL 1	G6
EMBLEM & LABEL 2	G7
EMBLEM & LABEL 3	G8
EMBLEM & LABEL 4	G9

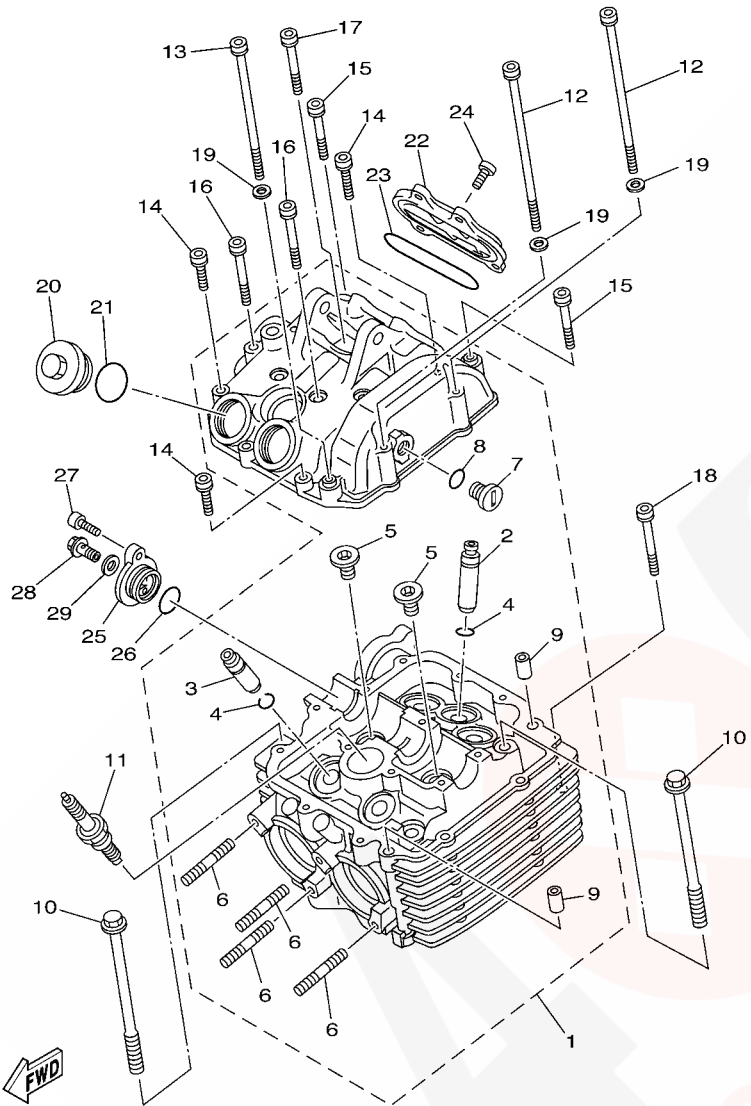
INDEX

NUMERICAL INDEX	M1
-----------------------	----

FIG. 1 CYLINDER HEAD



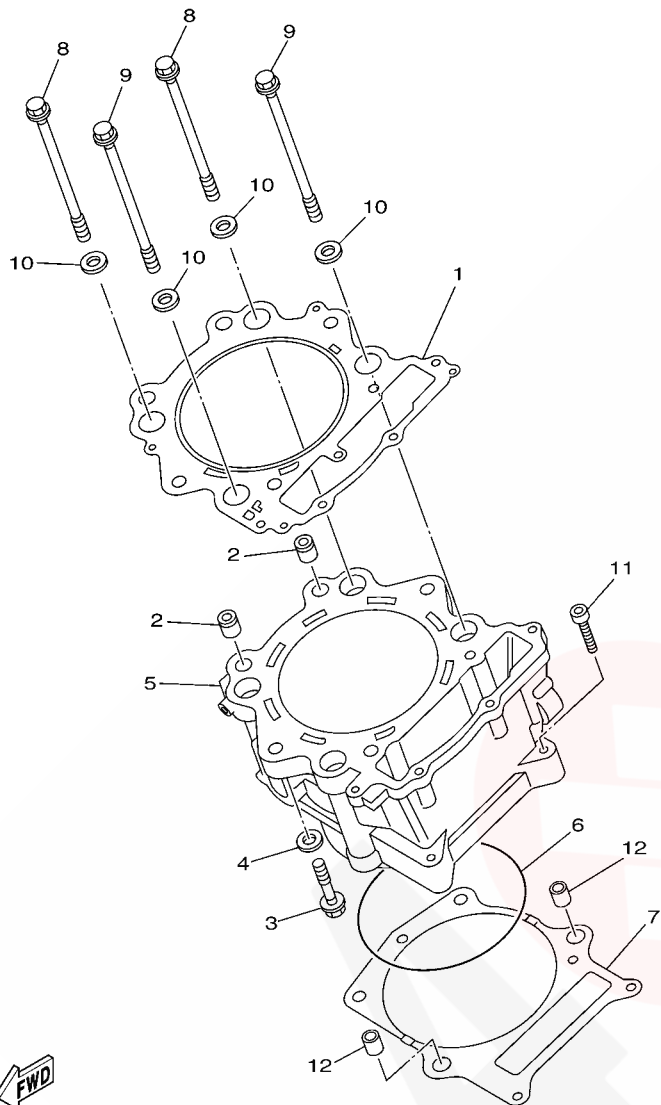
REF. NO.	PART NO.	DESCRIPTION	USA	EUR	OCE	JPN	REMARKS
1	5KM-11101-01	CYLINDER HEAD ASSY	1	1	1	1	
2	5KM-11133-10	.GUIDE, VALVE 1	3	3	3	3	
3	5KM-11134-10	.GUIDE, VALVE 2	2	2	2	2	
4	93440-10085	.CIRCLIP	5	5	5	5	
5	90340-18101	.PLUG, STRAIGHT SCREW	2	2	2	2	
6	95617-08625	.BOLT, STUD	4	4	4	4	
7	90340-14117	.PLUG, STRAIGHT SCREW	1	1	1	1	
8	93210-13657	.O-RING	1	1	1	1	
9	99530-10116	.PIN, DOWEL	2	2	2	2	
10	90105-09648	BOLT, FLANGE	4	4	4	4	
11	94701-00241	PLUG, SPARK (NGK DPR8EA-9)	1	1	1		
	94703-00241	PLUG, SPARK (NGK DPR8EA-9)				1	
12	91317-06130	BOLT	2	2	2	2	
13	91317-06115	BOLT	1	1	1	1	
14	91317-06025	BOLT	5	5	5	5	
15	91317-06040	BOLT	2	2	2	2	
16	91317-06055	BOLT	6	6	6	6	
17	90109-063E9	BOLT	1	1	1	1	
18	91317-06050	BOLT	1	1	1	1	
19	92907-06600	WASHER, PLATE	3	3	3	3	
20	1L9-11186-00	COVER, CYLINDER HEAD SIDE 2	2	2	2	2	
21	93210-32172	O-RING	2	2	2	2	
22	3YF-11187-00	COVER, CYLINDER HEAD SIDE 3	1	1	1	1	
23	93210-71360	O-RING	1	1	1	1	
24	91317-06018	BOLT	4	4	4	4	
25	3TB-12215-01	CAP, TENSIONER CASE	1	1	1	1	
26	93210-19522	O-RING	1	1	1	1	



5KM1100-2011

FIG. 1 CYLINDER HEAD

REF. NO.	PART NO.	DESCRIPTION	USA	EUR	OCE	JPN	REMARKS
27	90110-06093	BOLT, HEXAGON SOCKET HEAD	1	1	1	1	
28	90401-06001	BOLT, UNION	1	1	1	1	
29	90430-06192	GASKET	1	1	1	1	

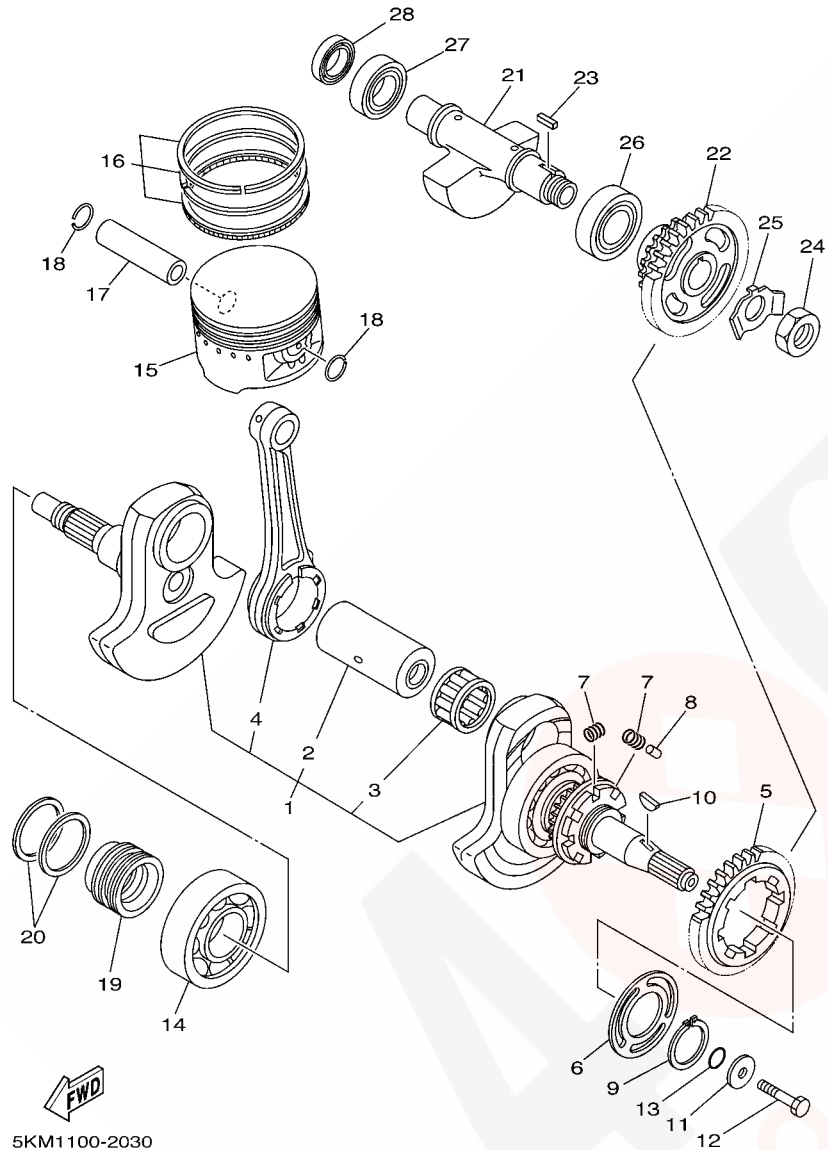


5KM1100-2021

FIG. 2 CYLINDER

REF. NO.	PART NO.	DESCRIPTION	USA	EUR	OCE	JPN	REMARKS
1	3YF-11181-00	GASKET, CYLINDER HEAD 1	1	1	1	1	
2	93612-16254	PIN, DOWEL	2	2	2	2	
3	90105-09647	BOLT, FLANGE	2	2	2	2	
4	90201-096J9	WASHER, PLATE	6	6	6	6	
5	5KM-11310-00	CYLINDER	1	1	1	1	
6	93211-01467	O-RING	1	1	1	1	
7	5KM-11351-00	GASKET, CYLINDER	1	1	1	1	
8	90105-10649	BOLT, FLANGE	2	2	2	2	
9	90105-10650	BOLT, FLANGE	2	2	2	2	
10	90201-101A4	WASHER, PLATE	4	4	4	4	
11	91317-06040	BOLT	2	2	2	2	
12	99530-14016	PIN, DOWEL	2	2	2	2	

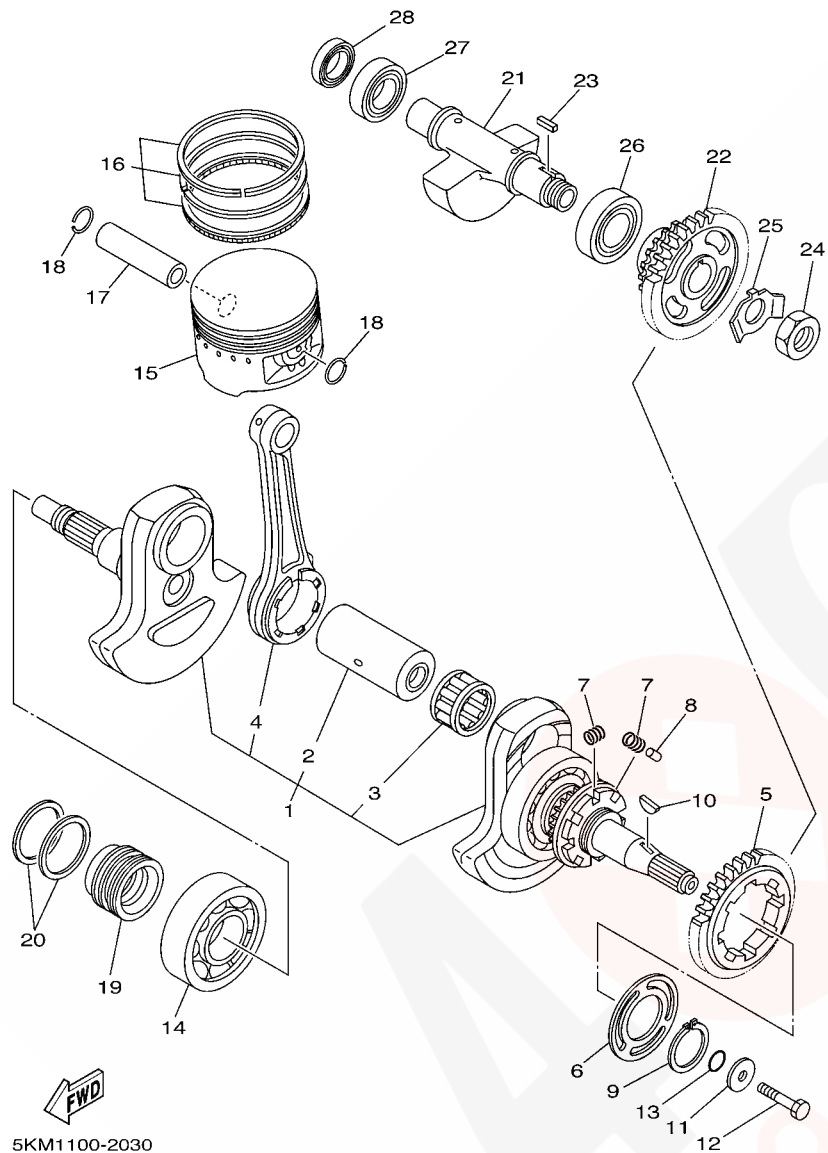
FIG. 3 CRANKSHAFT & PISTON



5KM1100-2030

REF. NO.	PART NO.	DESCRIPTION	USA	EUR	OCE	JPN	REMARKS
1	5KM-11400-00	CRANKSHAFT ASSY	1	1	1	1	
2	5KM-11681-00	.PIN, CRANK 1	1	1	1	1	
3	93310-637D3	.BEARING	1	1	1	1	
4	5LP-11651-00	.ROD, CONNECTING	1	1	1	1	
5	5KM-11536-00	GEAR, DRIVE	1	1	1	1	
6	5KM-11565-00	WASHER, BEARING COVER	1	1	1	1	
7	90501-220A1	SPRING, COMPRESSION	8	8	8	8	
8	93606-09002	PIN, DOWEL	4	4	4	4	
9	99009-35400	CIRCLIP	1	1	1	1	
10	90280-16053	KEY, WOODRUFF	1	1	1	1	
11	90201-10321	WASHER, PLATE	1	1	1	1	
12	90101-10568	BOLT	1	1	1	1	
13	93210-16290	O-RING	1	1	1	1	
14	93306-30702	BEARING (B6307)	1	1	1	1	
15	3YF-11631-00-X0	PISTON (STD)	1	1	1	1	
	3YF-11636-00	PISTON (0.50MM O/S)	1	1	1	1	AP
	3YF-11638-00	PISTON (1.00MM O/S)	1	1	1	1	AP
16	3YF-11610-00	PISTON RING SET (STD)	1	1	1	1	
	3YF-11610-20	PISTON RING SET (0.50MM O/S)	1	1	1	1	AP
	3YF-11610-40	PISTON RING SET (1.00MM O/S)	1	1	1	1	AP
17	3YF-11633-01	PIN, PISTON	1	1	1	1	
18	93450-24028	CIRCLIP	2	2	2	2	
19	5KM-16181-00	SPACER 1	1	1	1	1	
20	5KM-11447-00	SEAL, CRANK	2	2	2	2	
21	5KM-11454-10	WEIGHT 1	1	1	1	1	
22	5KM-11530-00	BALANCER WEIGHT GEAR COMP.	1	1	1	1	
23	90282-05005	KEY, STRAIGHT	1	1	1	1	

FIG. 3 CRANKSHAFT & PISTON



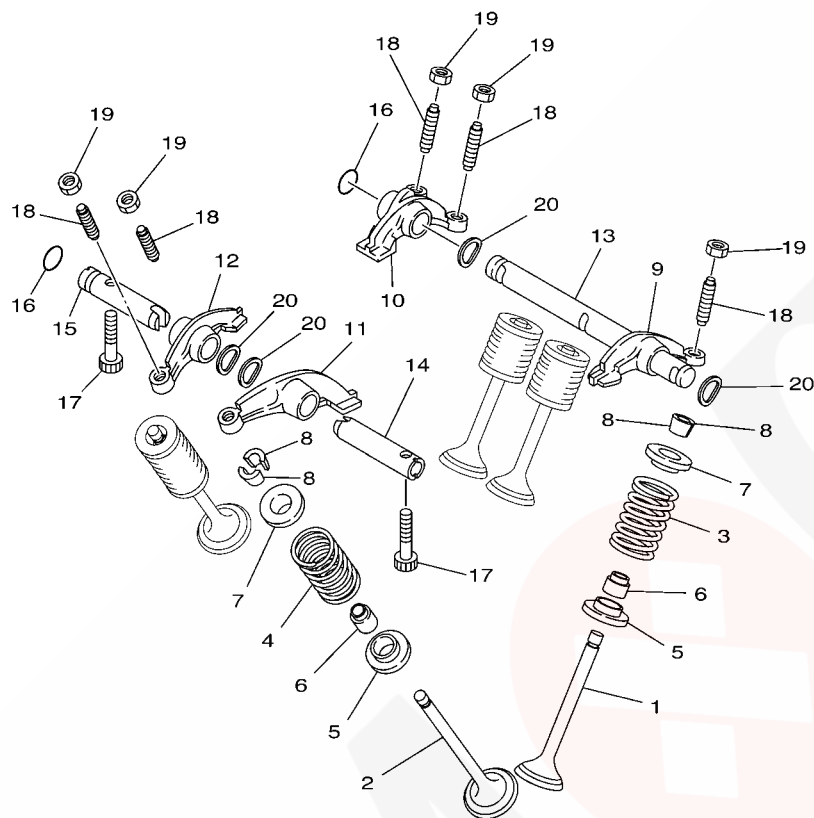
5KM1100-2030



REF. NO.	PART NO.	DESCRIPTION	USA	EUR	OCE	JPN	REMARKS
24	90170-18003	NUT	1	1	1	1	
25	90215-18001	WASHER, LOCK	1	1	1	1	
26	93306-30534	BEARING	1	1	1	1	
27	93306-30432	BEARING (B6304)	1	1	1	1	
28	93102-20108	OIL SEAL	1	1	1	1	

B6

FIG. 4 VALVE



REF. NO.	PART NO.	DESCRIPTION	USA	EUR	OCE	JPN	REMARKS
1	5KM-12111-00	VALVE, INTAKE	3	3	3	3	
2	3YF-12121-00	VALVE, EXHAUST	2	2	2	2	
3	3YF-12113-00	SPRING, VALVE INNER	3	3	3	3	
4	3YF-12114-00	SPRING, VALVE OUTER	2	2	2	2	
5	3YF-12116-00	SEAT, VALVE SPRING	5	5	5	5	
6	5H0-12119-00	SEAL, VALVE STEM	5	5	5	5	
7	3YF-12117-01	RETAINER, VALVE SPRING	5	5	5	5	
8	4G0-12118-00	COTTER, VALVE	10	10	10	10	
9	3YF-12151-00	ARM, VALVE ROCKER	1	1	1	1	
10	3YF-12161-00	ARM, VALVE ROCKER 2	1	1	1	1	
11	3YF-12162-00	ARM, VALVE ROCKER 3	1	1	1	1	
12	3YF-12163-00	ARM, VALVE ROCKER 4	1	1	1	1	
13	3YF-12146-00	SHAFT, ROCKER	1	1	1	1	
14	2NX-12156-00	SHAFT, ROCKER 2	1	1	1	1	
15	3YF-12166-00	SHAFT, ROCKER 3	1	1	1	1	
16	93210-08521	O-RING	2	2	2	2	
17	90109-063E8	BOLT	2	2	2	2	
18	2NX-12159-00	SCREW, VALVE ADJUSTING	5	5	5	5	
19	90170-06128	NUT	5	5	5	5	
20	90206-12075	WASHER, WAVE	4	4	4	4	



5LP1100-1041

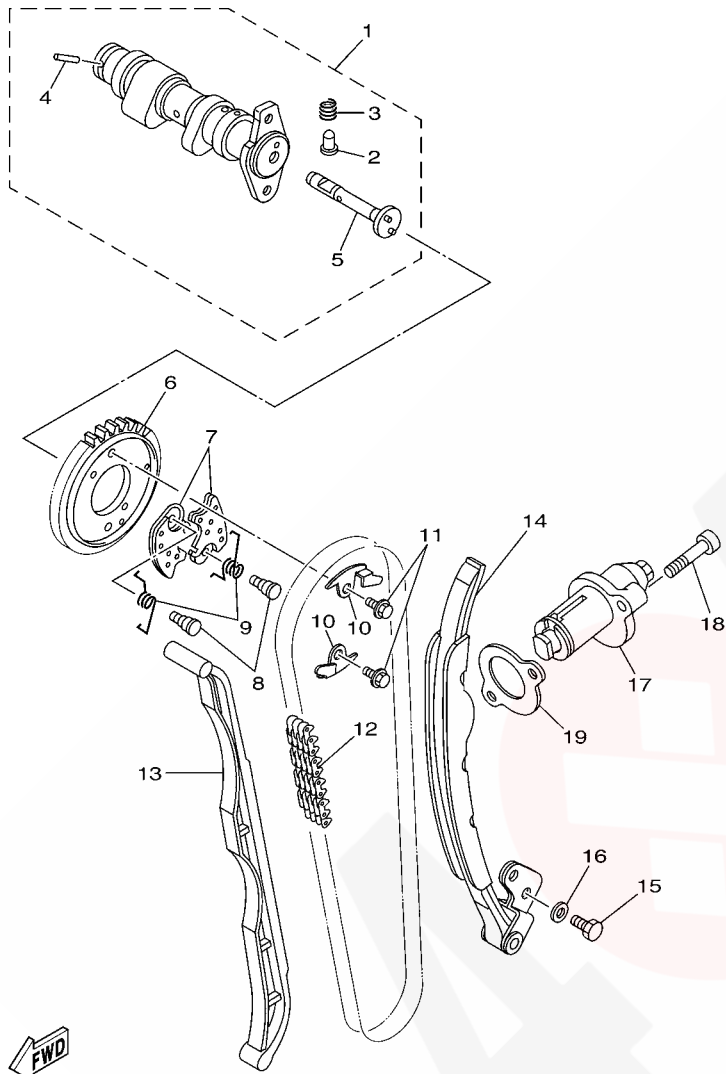
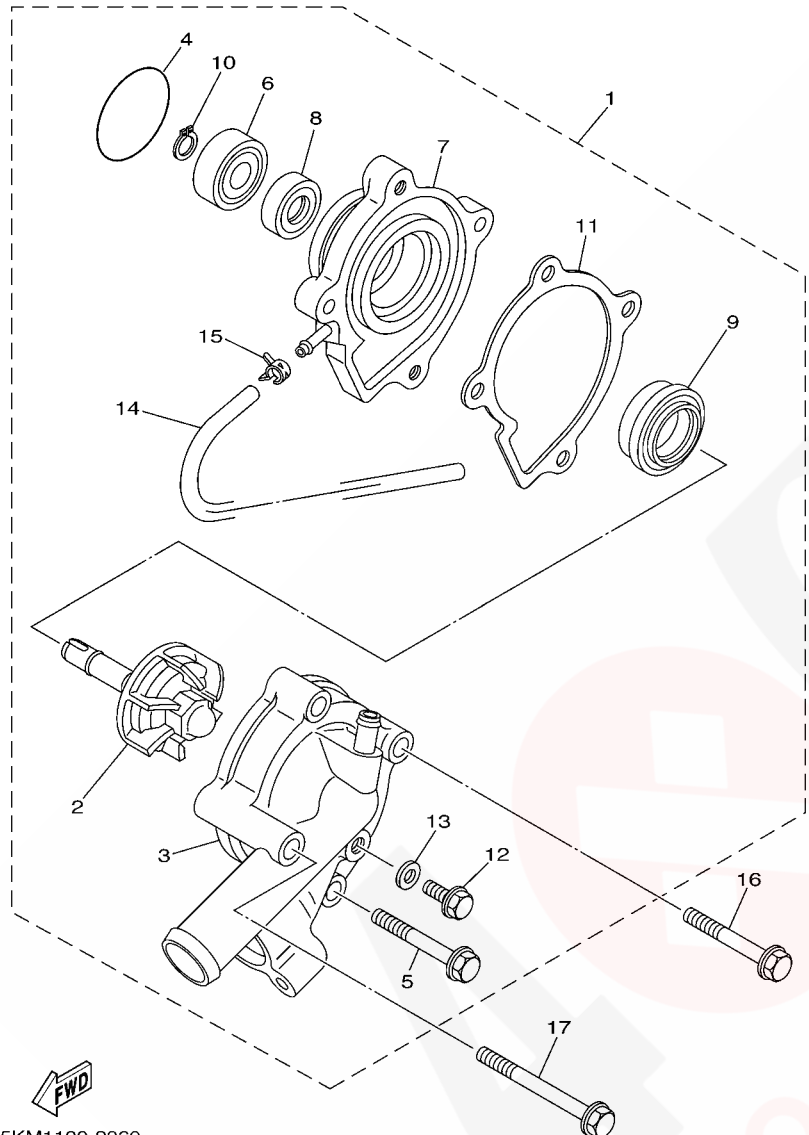


FIG. 5 CAMSHAFT & CHAIN

REF. NO.	PART NO.	DESCRIPTION	USA	EUR	OCE	JPN	REMARKS
1	5KM-12170-00	CAMSHAFT ASSY 1	1	1	1	1	
2	3YF-12284-00	.PIN, DECOMPRESSION LEVER	1	1	1	1	
3	90501-05001	.SPRING, COMPRESSION	1	1	1	1	
4	93603-21180	.PIN, DOWEL	1	1	1	1	
5	3YF-12290-00	.LEVER, DECOMPRESSION SPRING	1	1	1	1	
6	5KM-12176-00	SPROCKET, CAM CHAIN	1	1	1	1	
7	3YF-12288-00	CAM, DECOMPRESSION	2	2	2	2	
8	3YF-12247-00	SHAFT, TENSIONER	2	2	2	2	
9	5KM-12216-00	SPRING	2	2	2	2	
10	3YF-12233-01	PLATE, GUIDE STOPPER 1	2	2	2	2	
11	90105-07004	BOLT, FLANGE	2	2	2	2	
12	94591-53126	CHAIN (92RH2010-126M)	1	1	1	1	
13	5KM-12231-10	GUIDE, STOPPER 1	1	1	1	1	
14	5KM-12241-00	GUIDE, STOPPER 2	1	1	1	1	
15	97027-06016	BOLT	2	2	2	2	
16	92907-06600	WASHER, PLATE	2	2	2	2	
17	5KM-12210-00	TENSIONER ASSY, CAM CHAIN	1	1	1	1	
18	90110-06039	BOLT, HEXAGON SOCKET HEAD	2	2	2	2	
19	4DW-12213-00	GASKET, TENSIONER CASE	1	1	1	1	

5KMT171-C050

FIG. 6 WATER PUMP

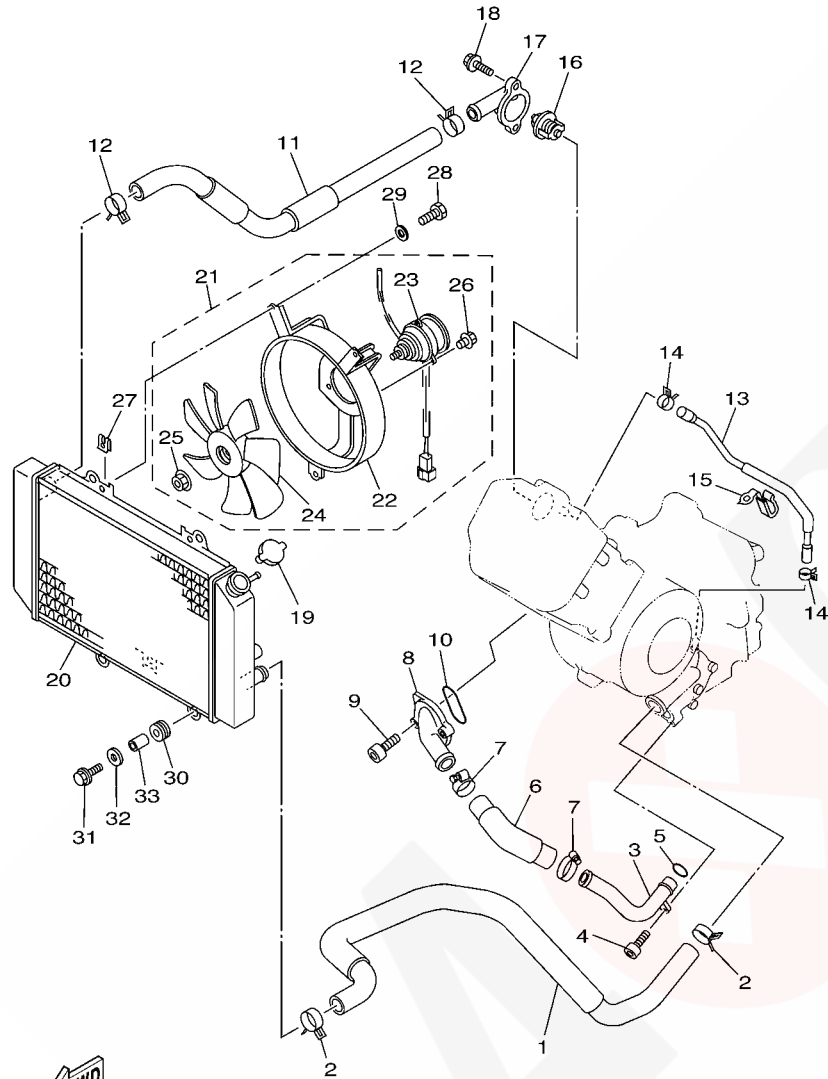


5KM1100-2060

REF. NO.	PART NO.	DESCRIPTION	USA	EUR	OCE	JPN	REMARKS
1	5KM-12420-10	WATER PUMP ASSY	1	1	1	1	
2	5KM-12450-10	.IMPELLER SHAFT ASSY	1	1	1	1	
3	5KM-12422-00	.COVER, HOUSING	1	1	1	1	
4	93210-33133	.O-RING	1	1	1	1	
5	90105-06023	.BOLT, FLANGE	2	2	2	2	
6	93306-00006	.BEARING (B6000)	1	1	1	1	
7	5KM-12421-00	.HOUSING, WATER PUMP	1	1	1	1	
8	93101-10090	.OIL SEAL	1	1	1	1	
9	11H-12438-10	.SEAL, MECHANICAL	1	1	1	1	
10	99009-10400	.CIRCLIP	1	1	1	1	
11	5KM-12428-00	.GASKET, HOUSING COVER 2	1	1	1	1	
12	95027-06012	.BOLT, FLANGE	1	1	1	1	
13	90430-06014	.GASKET	1	1	1	1	
14	90446-06001	.HOSE (L300)	1	1	1	1	
15	90467-06194	.CLIP	1	1	1	1	
16	95027-06045	BOLT, FLANGE	1	1	1	1	
17	95027-06065	BOLT, FLANGE	1	1	1	1	

B9

FIG. 7 RADIATOR & HOSE

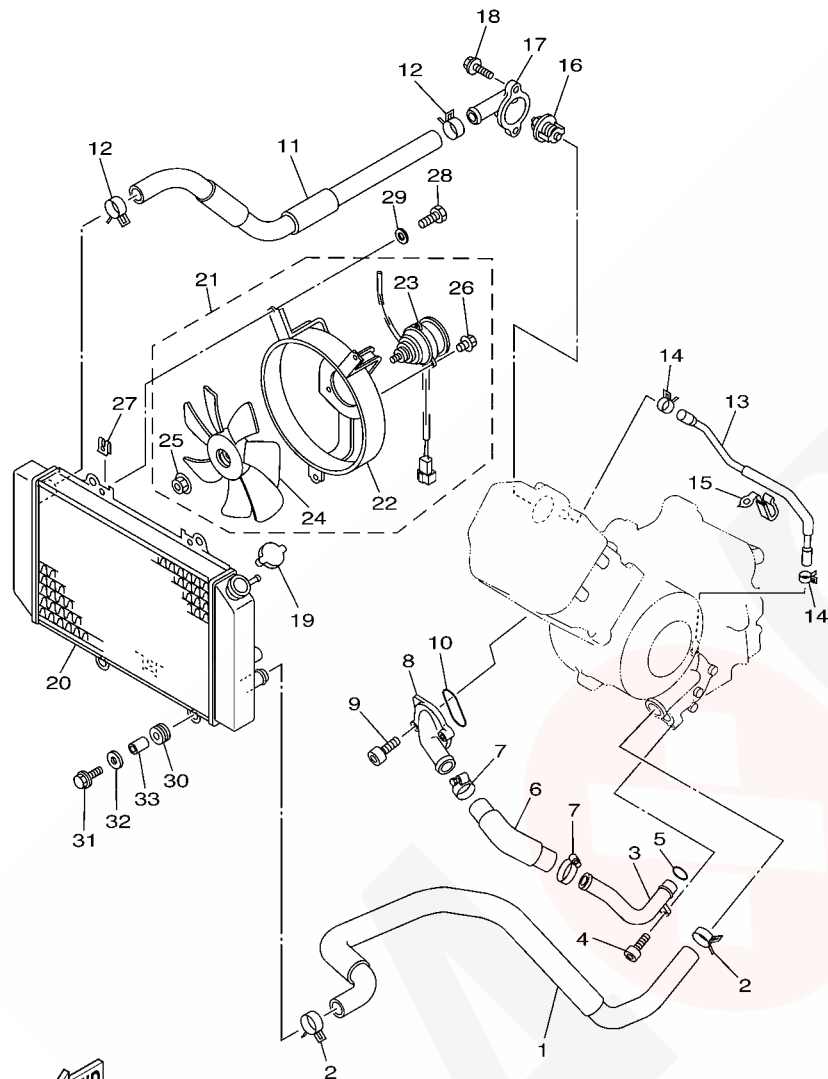



5KM5110-2070

REF. NO.	PART NO.	DESCRIPTION	USA	EUR	OCE	JPN	REMARKS
1	5KM-12576-00	HOSE 1	1	1	1	1	
2	90467-26189	CLIP	2	2	2	2	
3	5KM-12481-00	PIPE 1	1	1	1	1	
4	91317-06010	BOLT	1	1	1	1	
5	93210-21190	O-RING	1	1	1	1	
6	5KM-12577-00	HOSE 2	1	1	1	1	
7	90450-32015	HOSE CLAMP ASSY	2	2	2	2	
8	5KM-12469-00	JOINT 1	1	1	1	1	
9	91317-06020	BOLT	2	2	2	2	
10	93210-33786	O-RING	1	1	1	1	
11	5KM-12578-00	HOSE 3	1	1	1	1	
12	90467-26189	CLIP	2	2	2	2	
13	5KM-12579-00	HOSE 4	1	1	1	1	
14	90467-10038	CLIP	2	2	2	2	
15	90462-08008	CLAMP	1	1	1	1	
16	5KM-12411-01	THERMOSTAT	1	1	1	1	
17	5KM-12413-01	COVER, THERMOSTAT	1	1	1	1	
18	95027-06020	BOLT, FLANGE	2	2	2	2	
19	5HD-12462-00	CAP, RADIATOR	1	1	1	1	
20	5KM-12461-00	RADIATOR ASSY	1	1	1	1	
21	5KM-12405-00	BLOWER ASSY	1	1	1	1	
22	5KM-12620-00	.AIR SHROUD ASSY	1	1	1	1	
23	5KM-12630-00	.MOTOR ASSY	1	1	1	1	
24	5KM-12611-00	.FAN	1	1	1	1	
25	33M-12671-00	.NUT 1	1	1	1	1	
26	5GH-12647-00	.SCREW, MOTOR HOLDING	3	3	3	3	
27	1AA-12535-00	PLATE	3	3	3	3	

B10

FIG. 7 RADIATOR & HOSE



5KM5110-2070

REF. NO.	PART NO.	DESCRIPTION	USA	EUR	OCE	JPN	REMARKS
28	97017-06010	BOLT	3	3	3	3	
29	92907-06600	WASHER, PLATE	3	3	3	3	
30	90480-15235	GROMMET	4	4	4	4	
31	95807-06020	BOLT, FLANGE	2	2	2	2	
32	90209-06174	WASHER	2	2	2	2	
33	90387-060A7	COLLAR	2	2	2	2	

B11

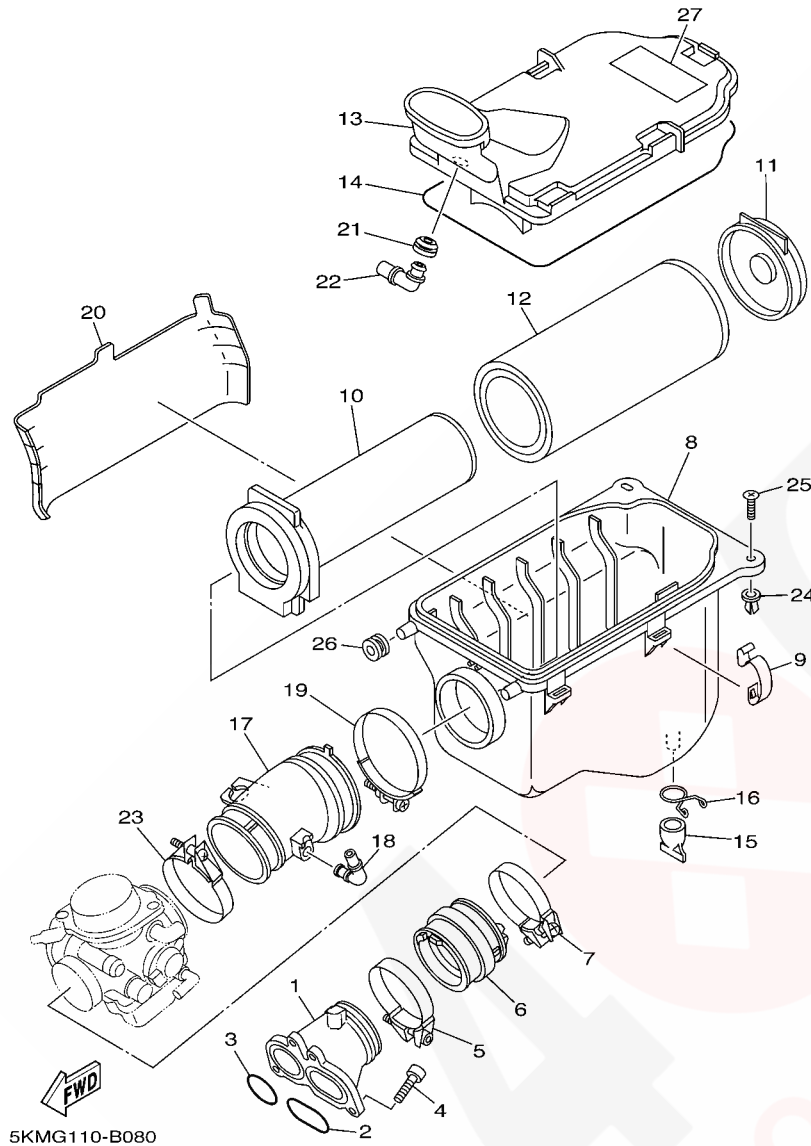
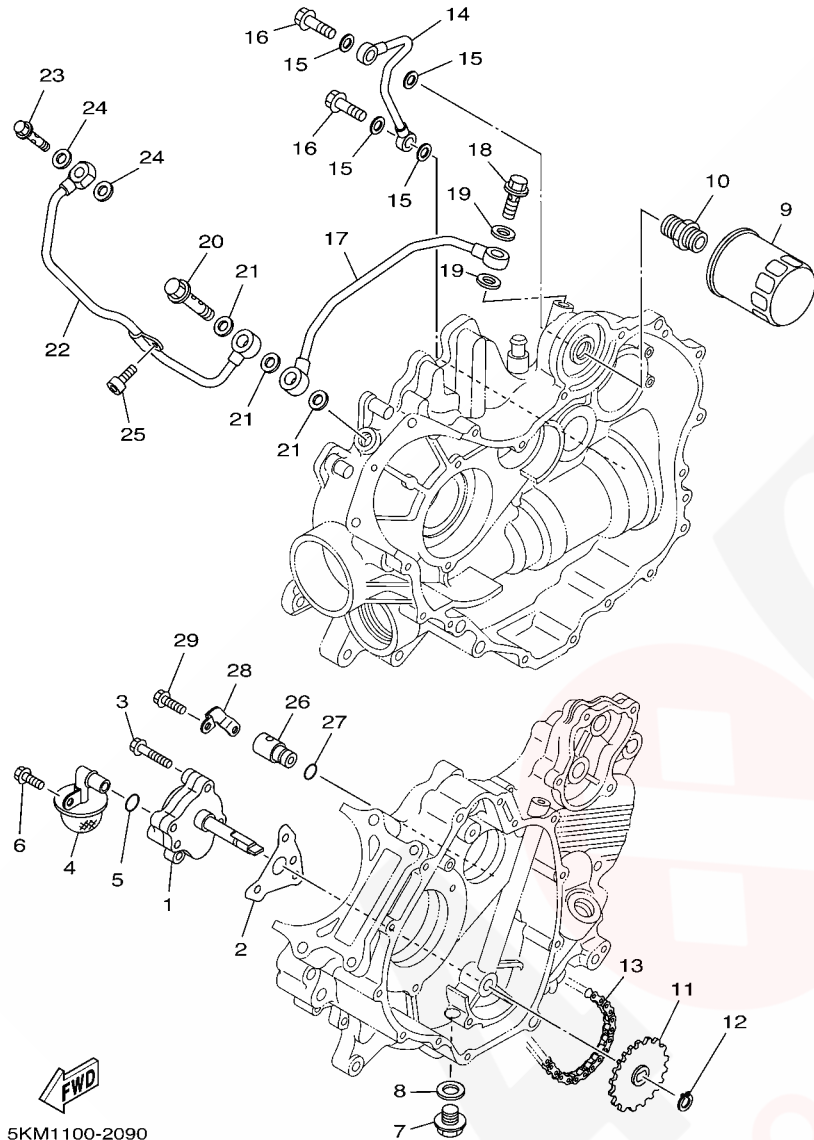


FIG. 8 INTAKE

REF. NO.	PART NO.	DESCRIPTION	USA	EUR	OC	JPN	REMARKS
1	5KM-13586-01	JOINT, CARBURETOR 1	1	1	1	1	
2	93210-44545	O-RING	1	1	1	1	
3	93210-321A8	O-RING	1	1	1	1	
4	91317-06020	BOLT	4	4	4	4	
5	90450-65001	HOSE CLAMP ASSY	1	1	1	1	
6	5KM-13596-00	JOINT, CARBURETOR 2	1	1	1	1	
7	90460-59211	CLAMP, HOSE	1	1	1	1	
8	5KM-14411-10	CASE, AIR CLEANER 1	1	1	1	1	
9	5GH-14436-00	HOOK	5	5	5	5	
10	1UY-14458-01	GUIDE	1	1	1	1	
11	1UY-14468-00	PLATE,ELEMENT FITTING	1	1	1	1	
12	1UY-14451-00	ELEMENT, AIR CLEANER	1	1	1	1	
13	5KM-14412-10	CAP, CLEANER CASE 1	1	1	1	1	
14	5KM-14452-00	SEAL	1	1	1	1	
15	59V-14457-00	SEAL	1	1	1	1	
16	90467-22080	CLIP	1	1	1	1	
17	5KM-14453-00	JOINT, AIR CLEANER 1	1	1	1	1	
18	31A-14419-00	PIPE	1	1	1	1	
19	90460-75020	CLAMP, HOSE	1	1	1	1	
20	5KM-1442F-01	PROTECTOR	1	1	1	1	
21	31A-14435-00	GROMMET	1	1	1	1	
22	5KM-14419-00	PIPE	1	1	1	1	
23	90450-67001	HOSE CLAMP ASSY	1	1	1	1	
24	90338-08226	PLUG	2	2	2	2	
25	97707-60025	SCREW, TAPPING	2	2	2	2	
26	90480-18290	GROMMET	2	2	2	2	
27	5KM-2179T-30	PLATE, EPA 3(CALIFORNIA)	1				

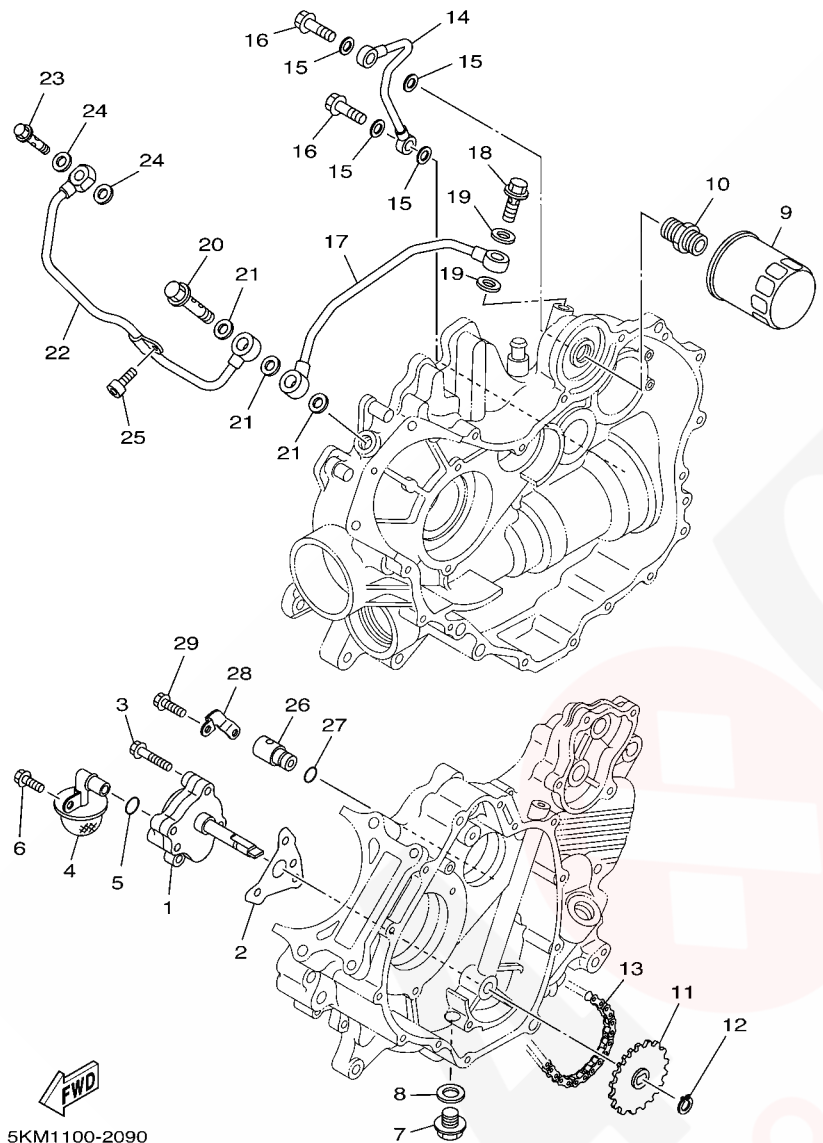
FIG. 9 OIL PUMP



5KM1100-2090

REF. NO.	PART NO.	DESCRIPTION	USA	EUR	OCE	JPN	REMARKS
1	5KM-13300-00	OIL PUMP ASSY	1	1	1	1	
2	5KM-13329-00	GASKET, PUMP COVER	1	1	1	1	
3	95027-06040	BOLT, FLANGE	3	3	3	3	
4	5KM-13410-00	STRAINER HOUSING ASSY	1	1	1	1	
5	93210-14579	O-RING	1	1	1	1	
6	95027-06014	BOLT, FLANGE	1	1	1	1	
7	90340-14132	PLUG, STRAIGHT SCREW	1	1	1	1	
8	214-11198-01	GASKET	1	1	1	1	
9	5GH-13440-00	ELEMENT ASSY, OIL CLEANER	1	1	1	1	
10	90401-20145	BOLT, UNION	1	1	1	1	
11	5KM-13355-00	SPROCKET, DRIVEN	1	1	1	1	
12	99009-11400	CIRCLIP	1	1	1	1	
13	94581-94070	CHAIN (DID25SD DHA)	1	1	1	1	
14	3AJ-13161-01	PIPE, DELIVERY 1	1	1	1	1	
15	90430-08204	GASKET	4	4	4	4	
16	90401-08004	BOLT, UNION	2	2	2	2	
17	5KM-13171-00	PIPE, DELIVERY 2	1	1	1	1	
18	90401-14118	BOLT, UNION	1	1	1	1	
19	90430-14043	GASKET	2	2	2	2	
20	5KM-12858-00	BOLT, UNION	1	1	1	1	
21	90430-14043	GASKET	3	3	3	3	
22	5KM-13181-00	PIPE, DELIVERY 3	1	1	1	1	
23	90401-10159	BOLT, UNION	1	1	1	1	
24	90430-10188	GASKET	2	2	2	2	
25	91317-06012	BOLT	1	1	1	1	
26	5KM-13490-00	RELIEF VALVE ASSY	1	1	1	1	
27	93210-10096	O-RING	1	1	1	1	

FIG. 9 OIL PUMP



5KM1100-2090

REF. NO.	PART NO.	DESCRIPTION	USA	EUR	OCE	JPN	REMARKS
28	5KM-1319K-00	PLATE	1	1	1	1	
29	95027-06012	BOLT, FLANGE	2	2	2	2	

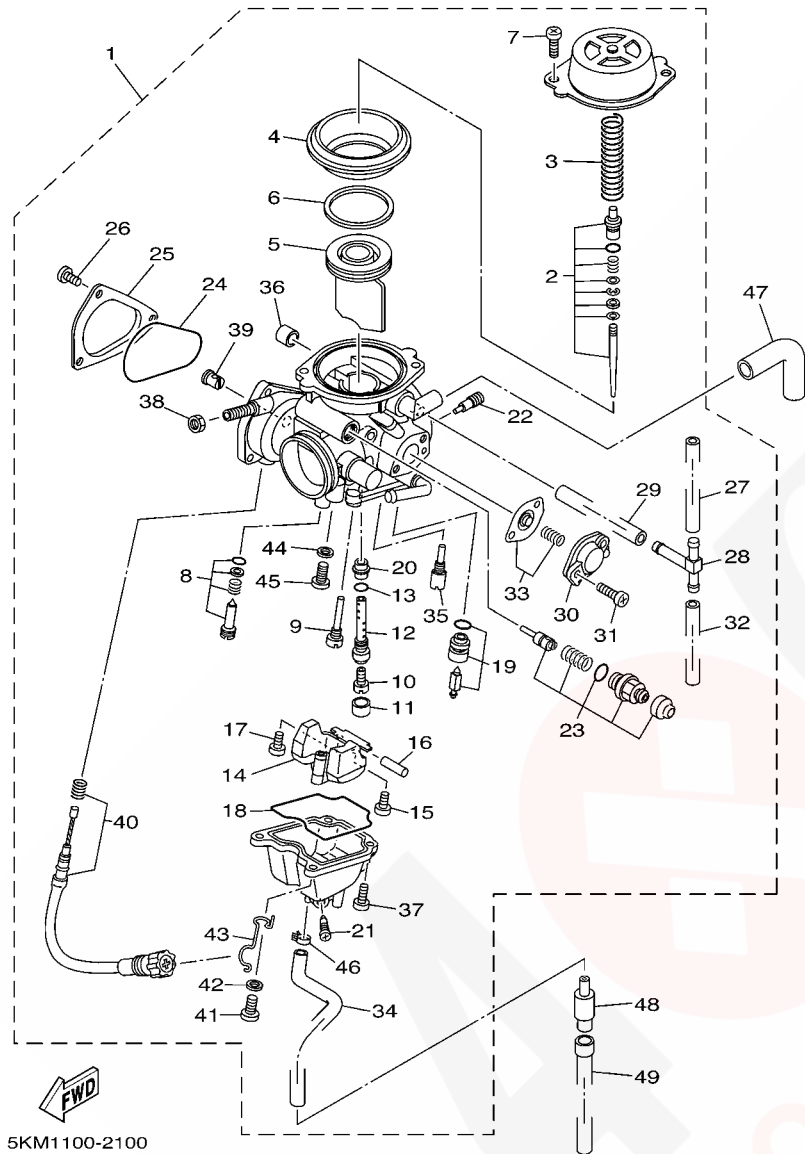
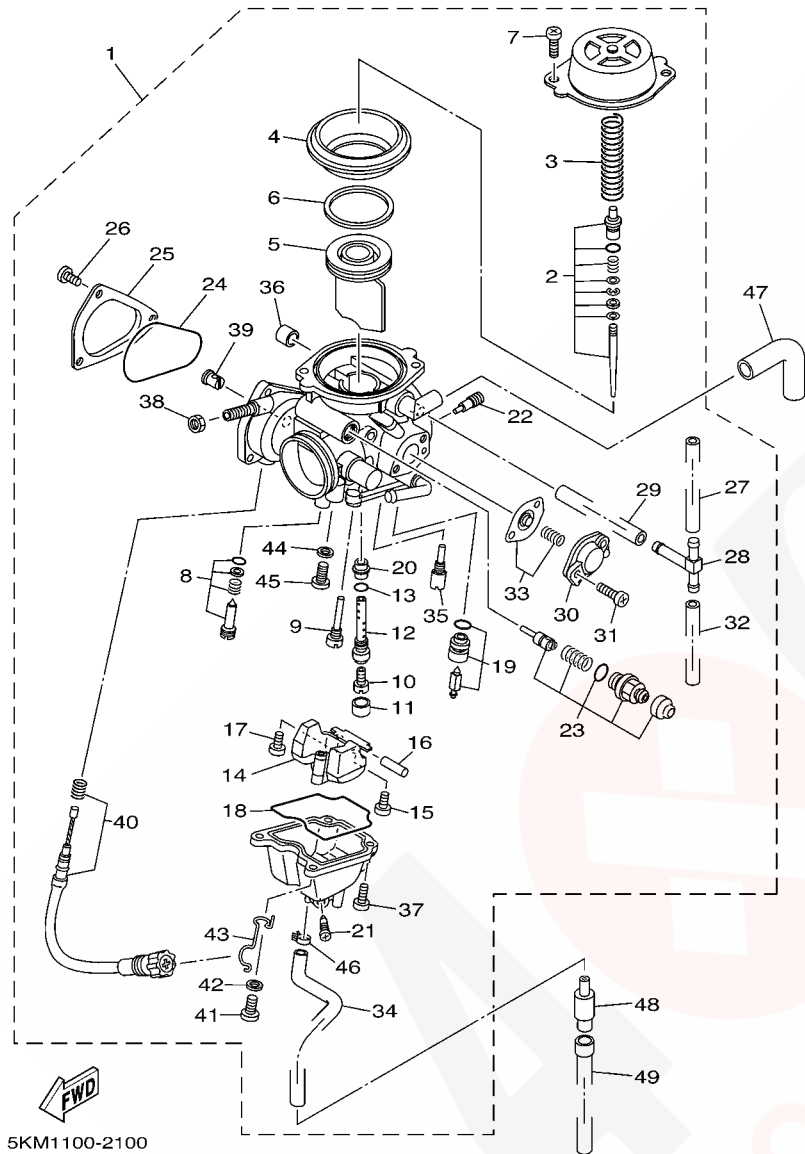


FIG. 10 CARBURETOR

REF. NO.	PART NO.	DESCRIPTION	USA	EUR	OCE	JPN	REMARKS
1	5KM-14901-10	CARBURETOR ASSY 1	1	1	1	1	
2	5KM-1490J-00	.NEEDLE SET	1	1	1	1	
3	4KM-14933-00	.SPRING, DIAPHRAGM	1	1	1	1	
4	5KM-24411-00	.DIAPHRAGM	1	1	1	1	
5	5KM-14912-00	.VALVE, THROTTLE	1	1	1	1	
6	5KM-14918-00	.RING	1	1	1	1	
7	98507-05008	.SCREW, PAN HEAD	2	2	2	2	
8	5EA-14105-00	.PILOT SCREW SET	1	1	1	1	
9	3G2-14231-11	.JET, POWER (# 55)	1	1	1	1	
10	3G2-1423E-61	.JET, MAIN (#153.8)	1	1	1	1	
11	5GH-14918-00	.RING	1	1	1	1	
12	5GH-14261-00	.HOLDER	1	1	1	1	
13	583-14561-00	.O-RING	1	1	1	1	
14	5DM-14985-00	.FLOAT	1	1	1	1	
15	98507-04008	.SCREW, PAN HEAD	1	1	1	1	
16	127-14186-00	.PIN, FLOAT	1	1	1	1	
17	1FN-14565-00	.SCREW	1	1	1	1	
18	5DM-14561-00	.O-RING	1	1	1	1	
19	5KM-14190-30	.NEEDLE VALVE ASSY	1	1	1	1	
20	5DM-14141-30	.NOZZLE, MAIN	1	1	1	1	
21	12R-14191-00	.PLUG, DRAIN	1	1	1	1	
22	1HX-14231-12	.JET, MAIN (# 60)	1	1	1	1	
23	5KM-1410A-00	.STARTER SET	1	1	1	1	
24	4WV-14147-10	.O-RING	1	1	1	1	
25	4WV-14293-00	.COVER 1	1	1	1	1	
26	98507-04008	.SCREW, PAN HEAD	3	3	3	3	
27	5KM-14197-20	.PIPE	1	1	1	1	



5KM1100-2100

FIG. 10 CARBURETOR

REF. NO.	PART NO.	DESCRIPTION	USA	EUR	OCE	JPN	REMARKS
28	28V-14988-00	.PIPE, STARTER CONNECTING	1	1	1	1	
29	3YX-14197-00	.PIPE	1	1	1	1	
30	5AP-14280-00	.COVER, CARBURETOR	1	1	1	1	
31	97607-04114	.SCREW,WITH WASHER	2	2	2	2	
32	5KM-14197-10	.PIPE	1	1	1	1	
33	5KM-1490H-00	.DIAPHRAGM SET 5	1	1	1	1	
34	5KM-14193-00	.PIPE	1	1	1	1	
35	4KM-14142-40	.JET, PILOT (# 40)	1	1	1	1	
36	5KM-14968-00	.CAP	1	1	1	1	
37	98507-04010	.SCREW, PAN HEAD	3	3	3	3	
38	522-14161-00	.NUT, CABLE ADJUSTING	1	1	1	1	
39	1UY-14155-00	.GUIDE, CABLE	1	1	1	1	
40	5KM-14103-00	.THROTTLE SCREW SET	1	1	1	1	
41	98507-04014	.SCREW, PAN HEAD	1	1	1	1	
42	92907-04600	.WASHER	1	1	1	1	
43	5KM-14937-00	.CLIP	1	1	1	1	
44	256-14956-01	.WASHER	1	1	1	1	
45	3DM-14216-00	.SCREW	1	1	1	1	
46	90467-06194	.CLIP	1	1	1	1	
47	4WV-14349-00	PIPE	1	1	1	1	
48	24W-14193-00	PIPE	1	1	1	1	
49	91A20-07010	TUBE, FLEXIBLE VINYL	1	1	1	1	

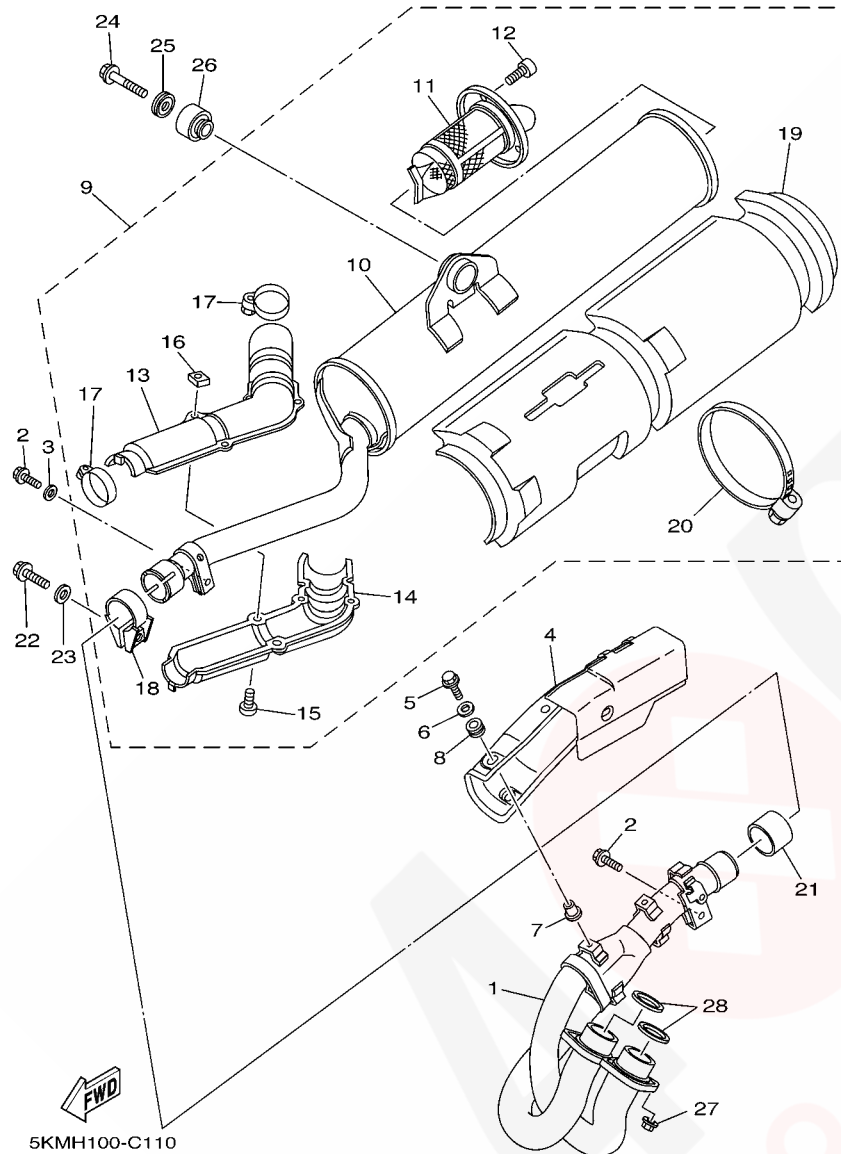
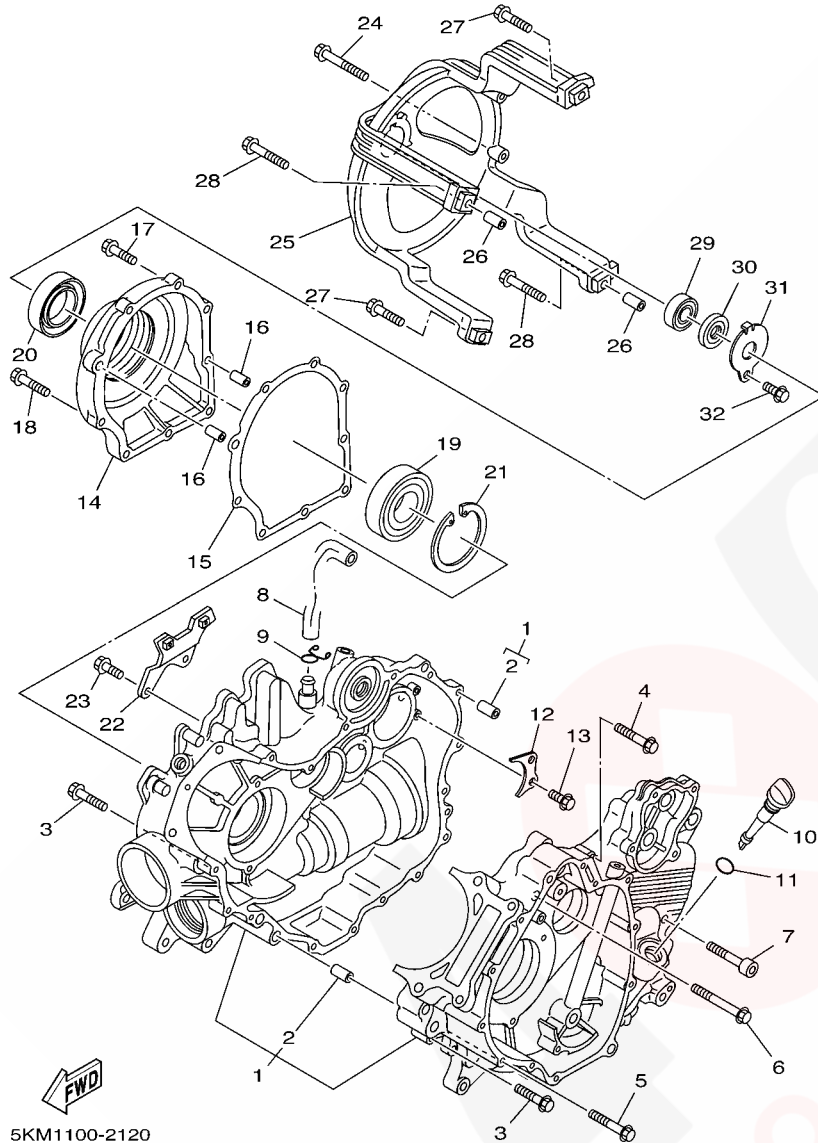


FIG. 11 EXHAUST

REF. NO.	PART NO.	DESCRIPTION	USA	EUR	OCE	JPN	REMARKS
1	5KM-14611-10	PIPE, EXHAUST 1	1	1	1	1	
2	95817-06020	BOLT, FLANGE	2	2	2	2	
3	90201-06778	WASHER, PLATE	1	1	1	1	
4	5KM-14627-00	COVER, EXHAUST	1	1	1	1	
5	95827-06016	BOLT, FLANGE	6	6	6	6	
6	90201-06778	WASHER, PLATE	6	6	6	6	
7	90387-061V4	COLLAR	6	6	6	6	
8	90480-01009	GROMMET	6	6	6	6	
9	5KM-14711-10	MUFFLER 1	1	1	1	1	
10	5KM-14721-00	.MUFFLER 1	1	1	1	1	
11	5KM-14752-00	.PIPE, OUTLET	1	1	1	1	
12	91380-06010	.BOLT	3	3	3	3	
13	5KM-14718-10	.PROTECTOR, MUFFLER 1	1	1	1	1	
14	5KM-14728-10	.PROTECTOR, MUFFLER 2	1	1	1	1	
15	98507-06010	.SCREW, PAN HEAD	4	4	4	4	
16	90173-06015	.NUT, SQUARE	4	4	4	4	
17	90450-32008	.HOSE CLAMP ASSY	2	2	2	2	
18	5KM-14715-00	.BAND, MUFFLER	1	1	1	1	
19	5KM-14738-00	.PROTECTOR, MUFFLER 3	1	1	1	1	
20	5KM-14788-00	.BAND, SILENCER	3	3	3	3	
21	3YF-14755-00	GASKET, SILENCER	1	1	1	1	
22	95817-08025	BOLT, FLANGE	1	1	1	1	
23	90201-086J0	WASHER, PLATE	1	1	1	1	
24	95807-08040	BOLT, FLANGE	1	1	1	1	
25	90209-08249	WASHER	1	1	1	1	
26	5KM-27414-01	DAMPER	1	1	1	1	
27	90179-08410	NUT	4	4	4	4	

FIG. 12 CRANKCASE



5KM1100-2120

REF. NO.	PART NO.	DESCRIPTION	USA	EUR	OCE	JPN	REMARKS
1	5KM-15100-11	CRANKCASE ASSY	1	1	1	1	
2	99530-10116	.PIN, DOWEL	2	2	2	2	
3	95027-06030	BOLT, FLANGE	11	11	11	11	
4	90105-06031	BOLT, FLANGE	1	1	1	1	
5	95027-06040	BOLT, FLANGE	2	2	2	2	
6	95027-06055	BOLT, FLANGE	1	1	1	1	
7	91317-08040	BOLT	3	3	3	3	
8	5KM-11166-10	PIPE, BREATHER 1	1	1	1	1	
9	90467-14015	CLIP	1	1	1	1	
10	5KM-15362-00	PLUG, OIL LEVEL	1	1	1	1	
11	93210-19026	O-RING	1	1	1	1	
12	4WV-15388-00	PLATE, BEARING COVER	1	1	1	1	
13	95027-06016	BOLT, FLANGE	2	2	2	2	
14	5KM-15163-00	HOUSING, BEARING 1	1	1	1	1	
15	5KM-15463-00	GASKET, CARBURETOR COVER 2	1	1	1	1	
16	99530-10116	PIN, DOWEL	2	2	2	2	
17	95027-06030	BOLT, FLANGE	7	7	7	7	
18	95027-06040	BOLT, FLANGE	2	2	2	2	
19	93316-01003	BEARING	1	1	1	1	
20	93102-35004	OIL SEAL	1	1	1	1	
21	99009-80500	CIRCLIP	1	1	1	1	
22	5KM-15199-00	BRACKET	1	1	1	1	
23	95817-06016	BOLT, FLANGE	2	2	2	2	
24	95827-06050	BOLT, FLANGE	2	2	2	2	
25	5KM-15442-00	HOUSING, BEARING	1	1	1	1	
26	99530-10116	PIN, DOWEL	2	2	2	2	
27	95827-06030	BOLT, FLANGE	2	2	2	2	

C5

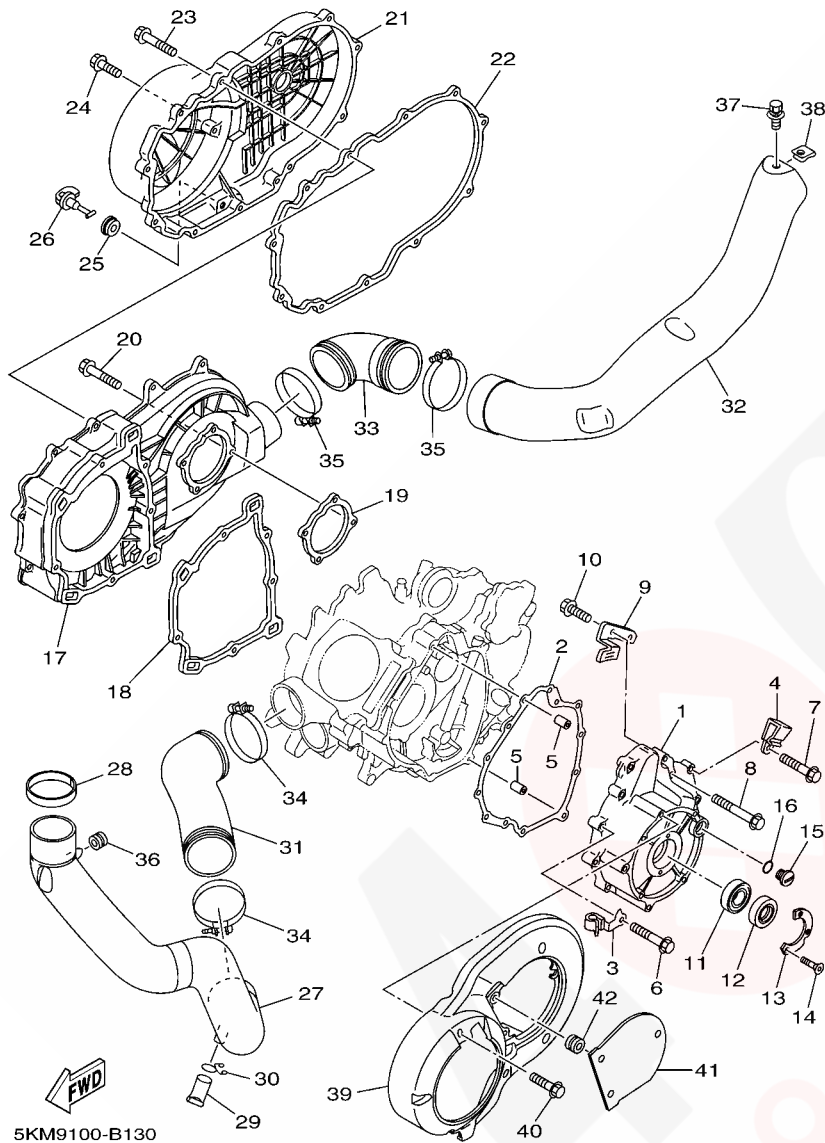


FIG. 13 CRANKCASE COVER 1

REF. NO.	PART NO.	DESCRIPTION	USA	EUR	OCE	JPN	REMARKS
1	5KM-15411-10	COVER, CRANKCASE 1	1	1	1	1	
2	5KM-15451-00	GASKET, CRANKCASE COVER 1	1	1	1	1	
3	90465-08361	CLAMP	1	1	1	1	
4	90465-05M87	CLAMP	1	1	1	1	
5	99530-10116	PIN, DOWEL	2	2	2	2	
6	95027-06030	BOLT, FLANGE	8	8	8	8	
7	90105-06031	BOLT, FLANGE	1	1	1	1	
8	95027-06040	BOLT, FLANGE	4	4	4	4	
9	5KM-15113-00	PLATE	1	1	1	1	
10	95027-06014	BOLT, FLANGE	2	2	2	2	
11	93306-07801	BEARING	1	1	1	1	
12	93102-28476	OIL SEAL	1	1	1	1	
13	21V-15719-00	WASHER, THRUST	1	1	1	1	
14	90151-05023	SCREW, COUNTERSUNK	2	2	2	2	
15	90340-14117	PLUG, STRAIGHT SCREW	1	1	1	1	
16	93210-14369	O-RING	1	1	1	1	
17	5KM-15421-00	COVER, CRANKCASE 2	1	1	1	1	
18	5KM-15453-00	GASKET	1	1	1	1	
19	5KM-15315-00	SEAL, CRANKCASE	1	1	1	1	
20	95827-06030	BOLT, FLANGE	7	7	7	7	
21	5KM-15431-00	COVER, CRANKCASE 3	1	1	1	1	
22	5KM-15379-00	SEAL, CRANKCASE	1	1	1	1	
23	95827-06025	BOLT, FLANGE	12	12	12	12	
24	95827-06016	BOLT, FLANGE	2	2	2	2	
25	90480-13018	GROMMET	1	1	1	1	
26	5KM-15351-00	PLUG, DRAIN	1	1	1	1	
27	5KM-15471-00	DUCT, AIR	1	1	1	1	

C7

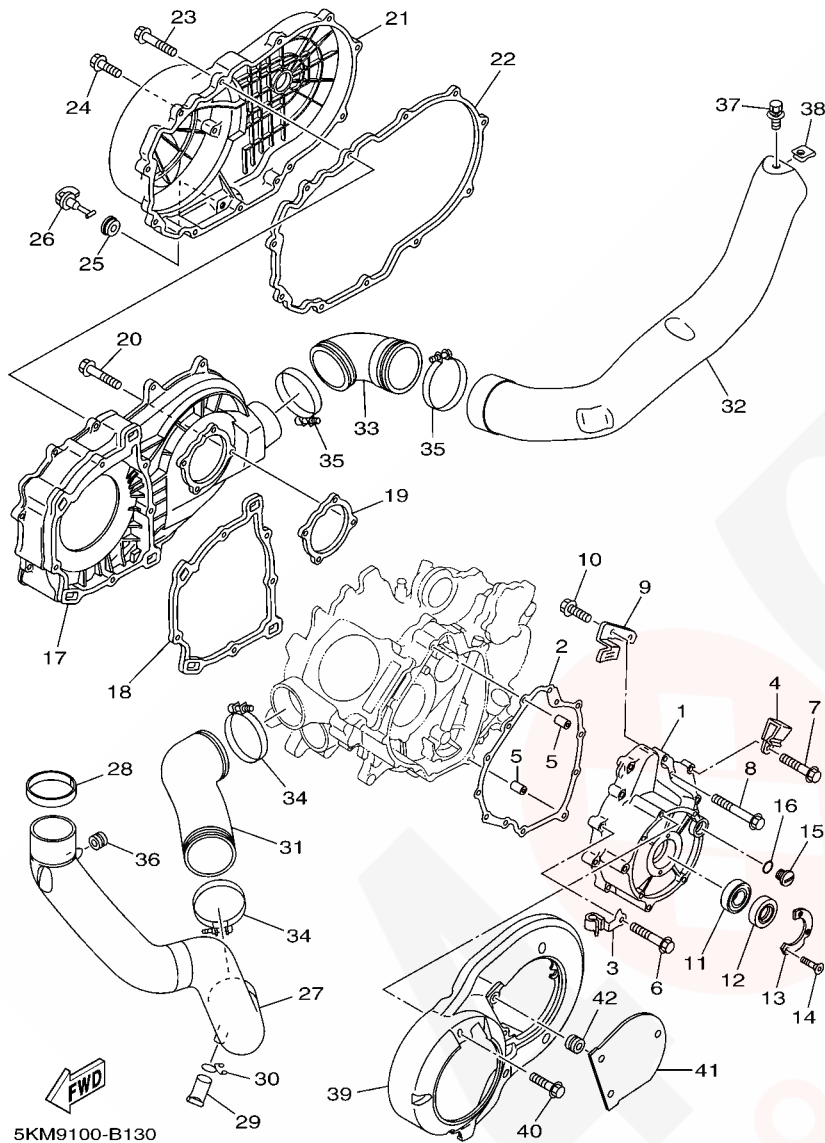
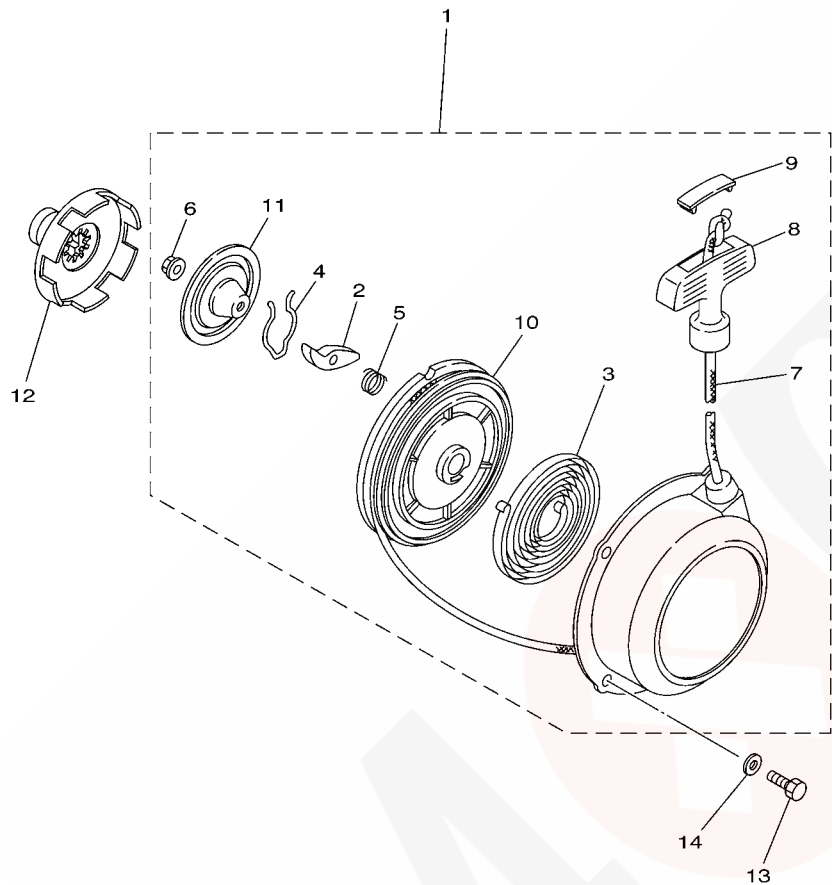


FIG. 13 CRANKCASE COVER 1

REF. NO.	PART NO.	DESCRIPTION	USA	EUR	OCE	JPN	REMARKS
28	5KM-15494-00	SEAL, PROTECTOR	1	1	1	1	
29	5BF-1443E-00	PIPE, DRAIN	1	1	1	1	
30	90467-16195	CLIP	1	1	1	1	
31	5KM-15472-10	SEAL, AIR DUCT	1	1	1	1	
32	5KM-15473-00	DUCT, AIR	1	1	1	1	
33	5KM-15474-00	SEAL, AIR DUCT	1	1	1	1	
34	90460-81224	CLAMP, HOSE	2	2	2	2	
35	90460-85135	CLAMP, HOSE	2	2	2	2	
36	90480-13398	GROMMET	1	1	1	1	
37	90119-06056	BOLT, WITH WASHER	1	1	1	1	
38	90183-06053	NUT, SPRING	1	1	1	1	
39	5KM-15423-00	COVER 2	1	1	1	1	
40	95827-06020	BOLT, FLANGE	6	6	6	6	
41	5GH-15413-00	COVER	1	1	1	1	
42	90480-13398	GROMMET	3	3	3	3	

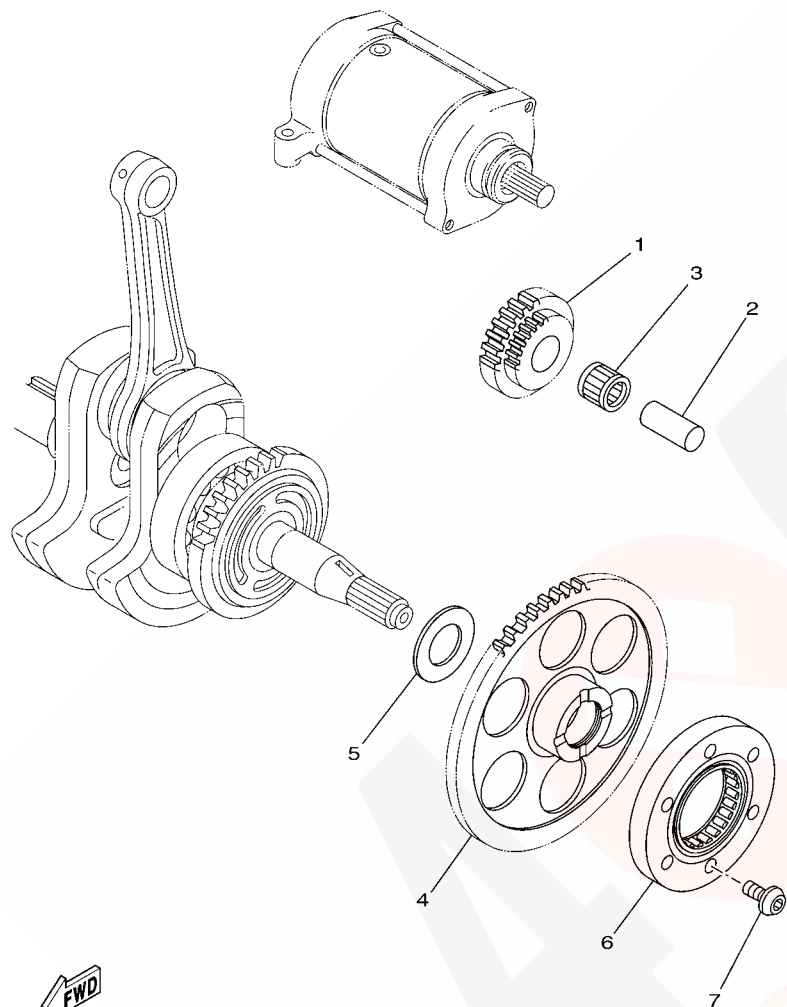
FIG. 14 STARTER



REF. NO.	PART NO.	DESCRIPTION	USA	EUR	OCE	JPN	REMARKS
1	5UH-15710-00	STARTER ASSY	1	1	1	1	
2	21V-15741-00	.PAWL, DRIVE	1	1	1	1	
3	5UH-15713-00	.SPRING, STARTER	1	1	1	1	
4	21V-15715-01	.SPRING, FRICTION	1	1	1	1	
5	21V-15767-00	.SPRING	1	1	1	1	
6	95702-06500	.NUT, FLANGE	1	1	1	1	
7	21V-15751-00	.WIRE, STARTER	1	1	1	1	
8	3X3-15755-00	.HANDLE, STARTER	1	1	1	1	
9	21V-15779-00	.COVER	1	1	1	1	
10	24W-15714-00	.DRUM, SHEAVE	1	1	1	1	
11	5UH-15716-00	.PLATE, DRIVE	1	1	1	1	
12	5KM-15723-00	PULLEY, STARTER	1	1	1	1	
13	97017-06014	BOLT	4	4	4	4	
14	92907-06600	WASHER, PLATE	4	4	4	4	


5KMH100-C140

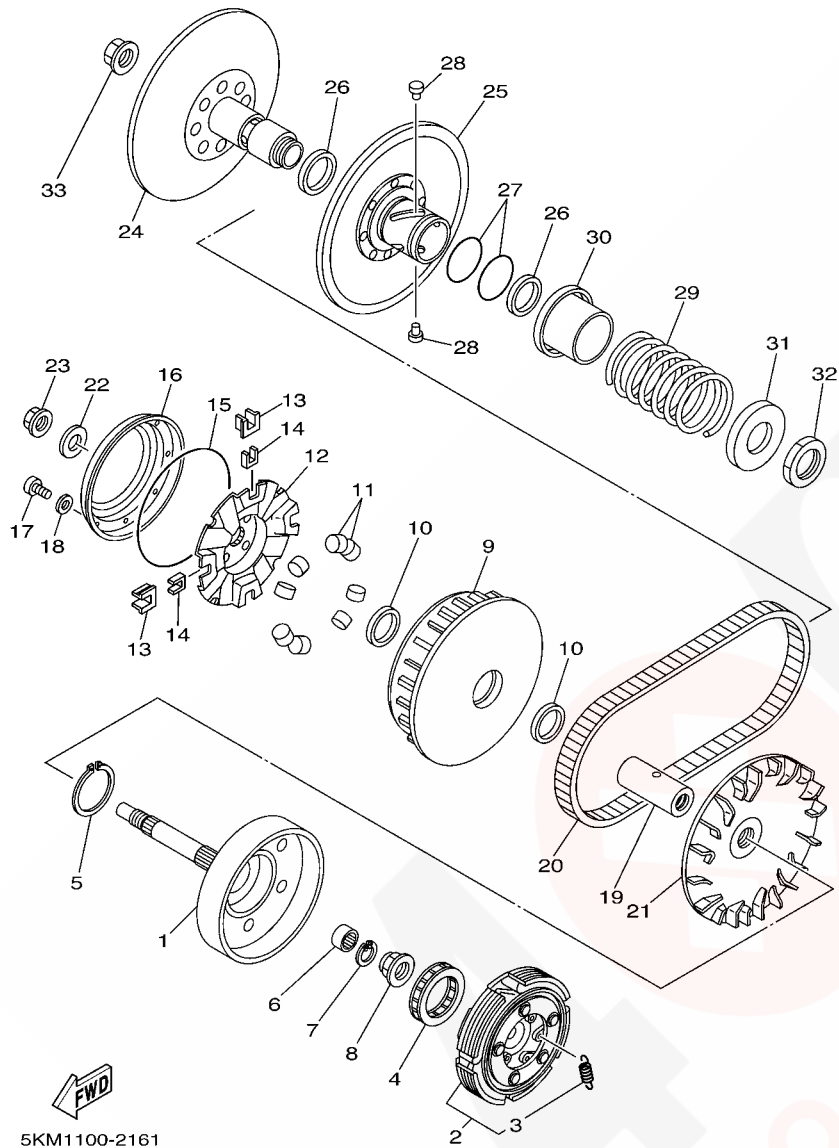
FIG. 15 STARTER CLUTCH



REF. NO.	PART NO.	DESCRIPTION	USA	EUR	OCE	JPN	REMARKS
1	5GH-15512-00	GEAR, IDLER 1	1	1	1	1	
2	5KM-15522-00	SHAFT 2	1	1	1	1	
3	93310-212R6	BEARING	1	1	1	1	
4	5KM-15517-10	GEAR, IDLER 2	1	1	1	1	
5	90201-25291	WASHER, PLATE	1	1	1	1	
6	5KM-15590-00	STARTER ONE-WAY ASSY	1	1	1	1	
7	91317-08018	BOLT	3	3	3	3	


5KM9100-B150

C10



5KM1100-2161

FIG. 16 CLUTCH

REF. NO.	PART NO.	DESCRIPTION	USA	EUR	OCE	JPN	REMARKS
1	5KM-16611-10	CLUTCH HOUSING COMP.	1	1	1	1	
2	5KM-16620-00	CLUTCH CARRIER ASSY	1	1	1	1	
3	5KM-16626-00	.SPRING, CLUTCH WEIGHT 1	5	5	5	5	
4	4SH-16664-00	BEARING, ONE WAY	1	1	1	1	
5	93410-46079	CIRCLIP	1	1	1	1	
6	93315-21813	BEARING	1	1	1	1	
7	93450-24062	CIRCLIP	1	1	1	1	
8	90179-22005	NUT	1	1	1	1	
9	5KM-17620-00	PRIMARY SLIDING SHEAVE COMP.	1	1	1	1	
10	93101-35001	OIL SEAL	2	2	2	2	
11	5KM-17632-00	WEIGHT	8	8	8	8	
12	5KM-17623-00	CAM	1	1	1	1	
13	4WV-17653-00	SLIDER	4	4	4	4	
14	4WV-17654-01	SPACER 1	4	4	4	4	
15	93211-594A4	O-RING	1	1	1	1	
16	4WV-17639-10	STOPPER	1	1	1	1	
17	90157-04088	SCREW, PAN HEAD	8	8	8	8	
18	90201-047R9	WASHER, PLATE	8	8	8	8	
19	5KM-17645-00	COLLAR	1	1	1	1	
20	5KM-17641-00	V-BELT	1	1	1	1	
21	5KM-17611-00	SHEAVE, PRIMARY FIXED	1	1	1	1	
22	90201-190T7	WASHER, PLATE	1	1	1	1	
23	90179-16001	NUT	1	1	1	1	
24	4WV-17660-10	SECONDARY FIXED SHEAVE COMP.	1	1	1	1	
25	4WV-17670-00	SECONDARY SLIDING SHEAVE	1	1	1	1	
26	93104-41119	OIL SEAL	2	2	2	2	
27	93210-44545	O-RING	2	2	2	2	

C11

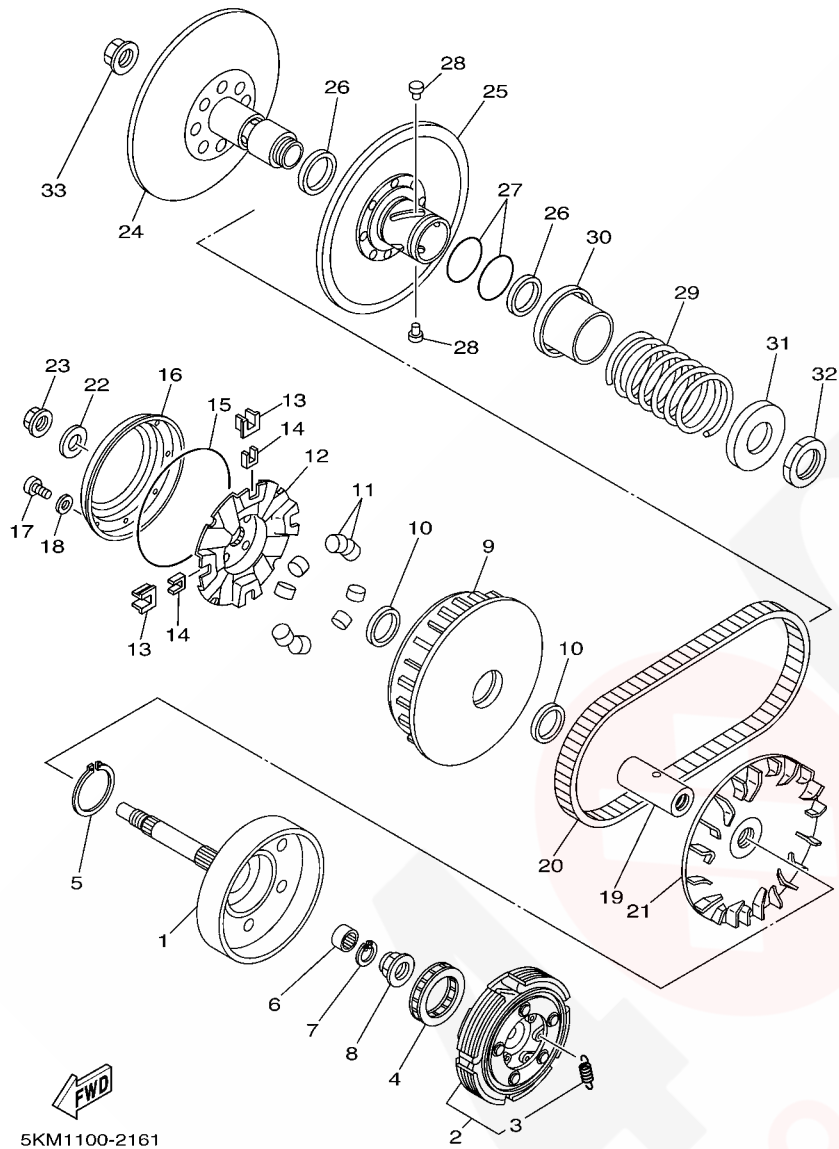
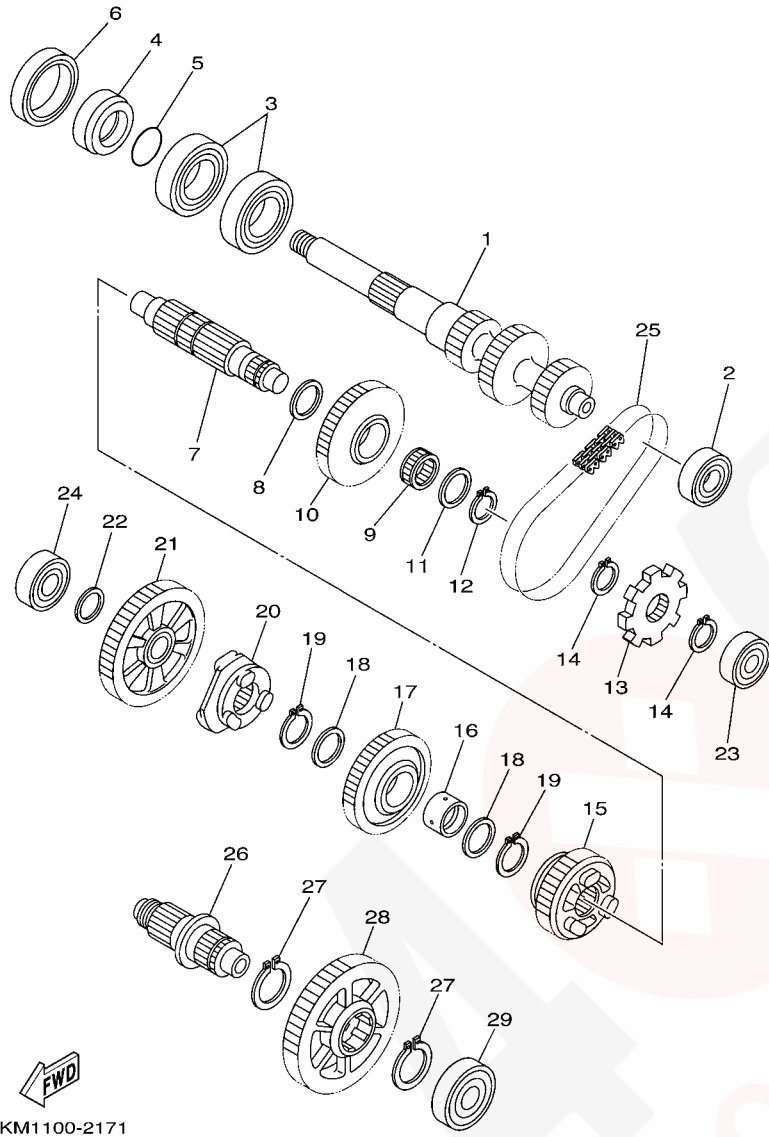


FIG. 16 CLUTCH

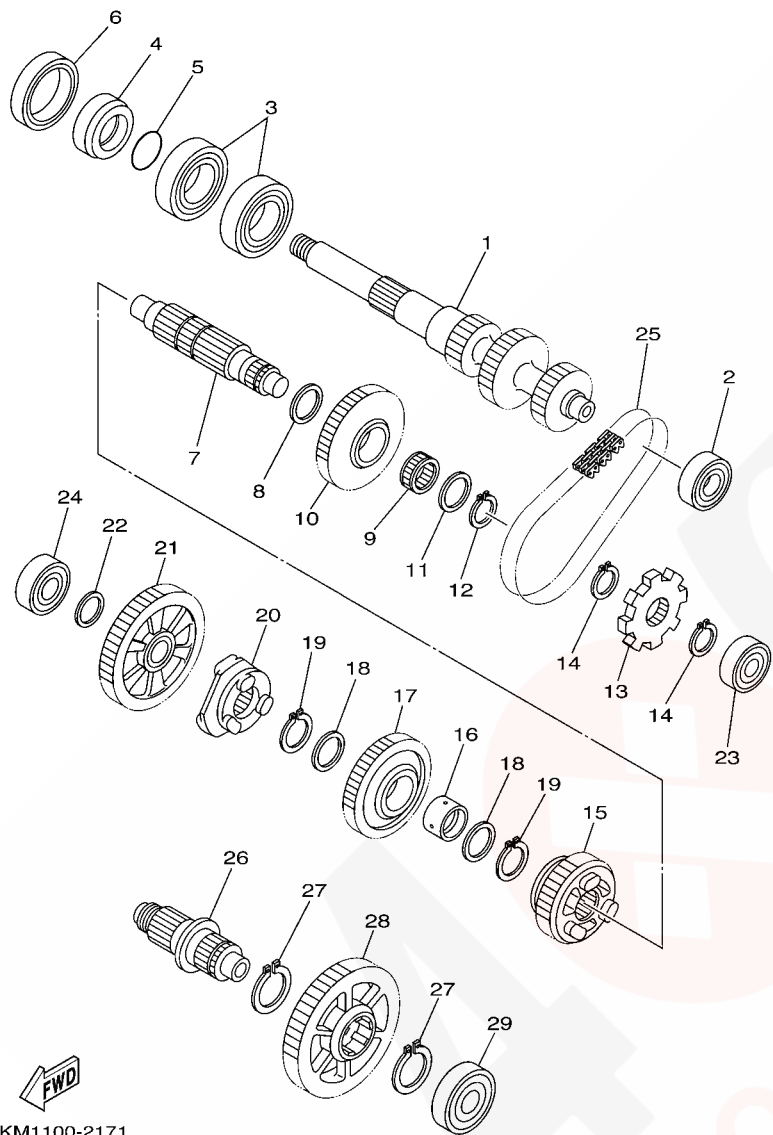
REF. NO.	PART NO.	DESCRIPTION	USA	EUR	OCE	JPN	REMARKS
28	4CW-17664-00	PIN, GUIDE	4	4	4	4	
29	90501-65001	SPRING, COMPRESSION	1	1	1	1	
30	4WV-17684-00	SEAT, SECONDARY SPRING	1	1	1	1	
31	4WV-17644-00	SEAT, SPRING	1	1	1	1	
32	90170-36279	NUT	1	1	1	1	
33	90179-16001	NUT	1	1	1	1	

FIG. 17 TRANSMISSION



REF. NO.	PART NO.	DESCRIPTION	USA	EUR	OCE	JPN	REMARKS
1	5KM-17681-10	SHAFT, SECONDARY	1	1	1	1	
2	93306-20321	BEARING	1	1	1	1	
3	93306-00612	BEARING	2	2	2	2	
4	90387-26001	COLLAR	1	1	1	1	
5	93210-26001	O-RING	1	1	1	1	
6	93102-42004	OIL SEAL	1	1	1	1	
7	5KM-17402-01	DRIVE AXLE ASSY	1	1	1	1	
8	90201-20278	WASHER, PLATE	1	1	1	1	
9	93310-420F2	BEARING	1	1	1	1	
10	5KM-17453-00	SPROCKET, DRIVEN (25T)	1	1	1	1	
11	90201-20278	WASHER, PLATE	1	1	1	1	
12	93410-20038	CIRCLIP	1	1	1	1	
13	5KM-17473-00	STOPPER	1	1	1	1	
14	93410-20038	CIRCLIP	2	2	2	2	
15	5UG-17582-00	GEAR, MIDDLE DRIVE (21T)	1	1	1	1	
16	90387-250R3	COLLAR	1	1	1	1	
17	5KM-17223-10	GEAR, HIGH WHEEL (26T)	1	1	1	1	
18	90209-22082	WASHER (T=0.5)	2	2	2	2	
19	93440-25084	CIRCLIP	2	2	2	2	
20	5KM-17285-00	CLUTCH, DOG	1	1	1	1	
21	5UG-17233-00	GEAR, LOW WHEEL (35T)	1	1	1	1	
22	90201-17255	WASHER, PLATE	1	1	1	1	
23	93306-20221	BEARING	1	1	1	1	
24	93306-20332	BEARING	1	1	1	1	
25	94591-54034	CHAIN (23RH302-34ASM)	1	1	1	1	
26	5KM-17523-10	SHAFT	1	1	1	1	
27	93440-25084	CIRCLIP	2	2	2	2	

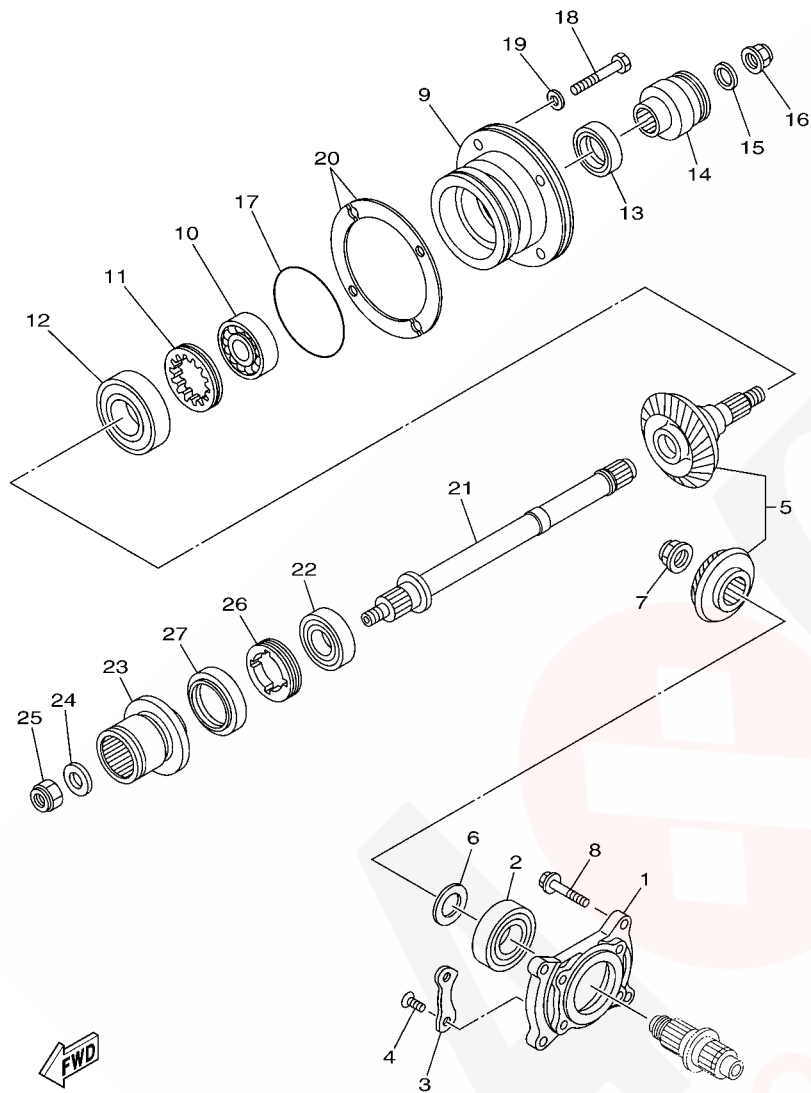
FIG. 17 TRANSMISSION



5KM1100-2171

REF. NO.	PART NO.	DESCRIPTION	USA	EUR	OCE	JPN	REMARKS
28	5UG-17583-00	GEAR, MIDDLE DRIVEN (41T)	1	1	1	1	
29	93306-30318	BEARING	1	1	1	1	

C14

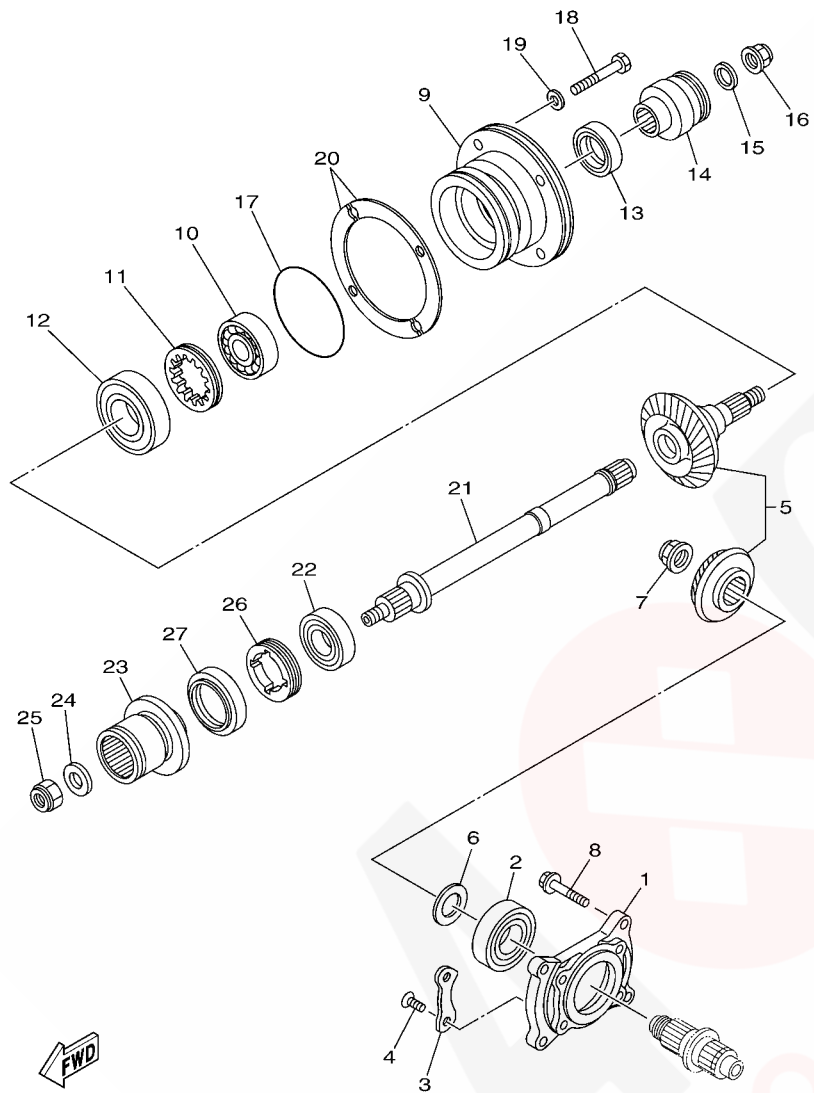


5KM9100-B180

FIG. 18 MIDDLE DRIVE GEAR

REF. NO.	PART NO.	DESCRIPTION	USA	EUR	OCE	JPN	REMARKS
1	5KM-17521-00	HOUSING, BEARING	1	1	1	1	
2	93306-30537	BEARING	1	1	1	1	
3	11H-15383-02	PLATE, BEARING COVER	2	2	2	2	
4	90149-08152	SCREW	4	4	4	4	
5	5KM-Y1754-10	MIDDLE GEAR COMP.	1	1	1	1	
6	5KM-17531-00	SHIM, PINION (0.1T)	1	1	1	1	UR
	5KM-17531-10	SHIM, PINION (0.15T)	1	1	1	1	UR
	5KM-17531-20	SHIM, PINION (0.2T)	1	1	1	1	UR
	5KM-17531-30	SHIM, PINION (0.3T)	1	1	1	1	UR
	5KM-17531-40	SHIM, PINION (0.4T)	1	1	1	1	UR
	5KM-17531-50	SHIM, PINION (0.5T)	1	1	1	1	UR
7	90179-22526	NUT	1	1	1	1	
8	95817-08030	BOLT, FLANGE	4	4	4	4	
9	5KM-17551-10	HOUSING, BEARING	1	1	1	1	
10	93306-37206	BEARING	1	1	1	1	
11	90179-60001	NUT	1	1	1	1	
12	93306-20715	BEARING	1	1	1	1	
13	93102-30170	OIL SEAL	1	1	1	1	
14	5KM-17832-00	COUPLING	1	1	1	1	
15	90201-170M2	WASHER, PLATE	1	1	1	1	
16	90179-16661	NUT	1	1	1	1	
17	93210-78544	O-RING	1	1	1	1	
18	97027-08030	BOLT	4	4	4	4	
19	92907-08600	WASHER, PLATE	4	4	4	4	
20	4KB-17531-00	SHIM, PINION (0.10T)	2	2	2	2	UR
	4KB-17531-10	SHIM, PINION (0.15T)	2	2	2	2	UR
	4KB-17531-20	SHIM, PINION (0.20T)	2	2	2	2	UR

C15

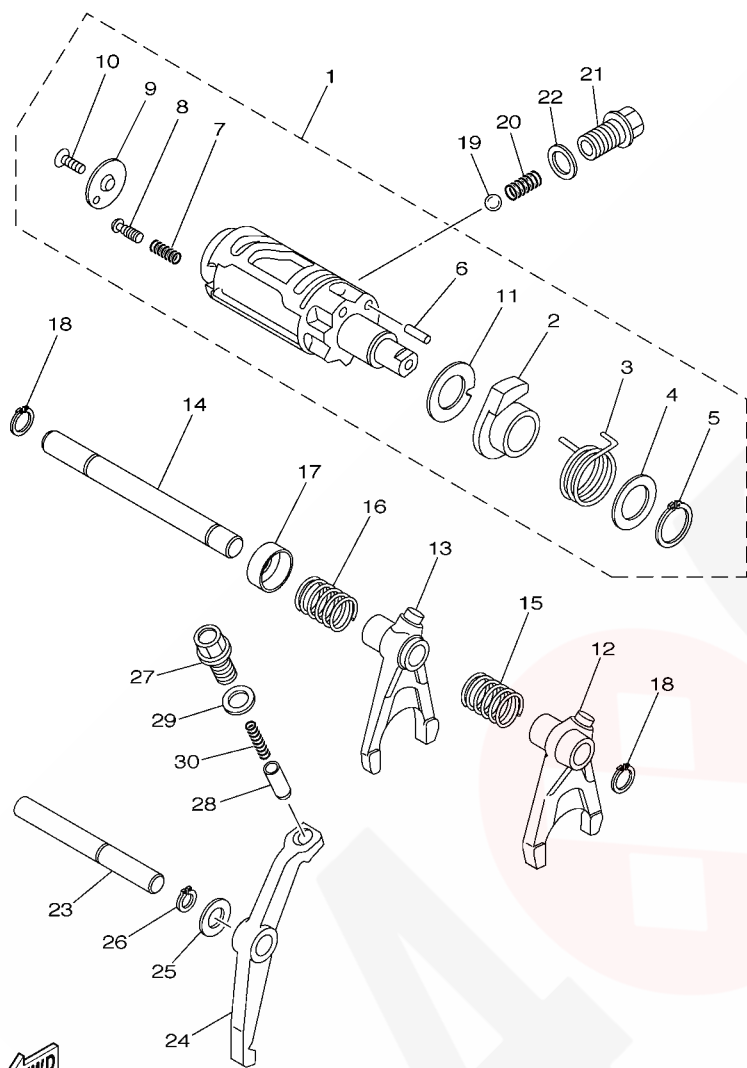



5KM9100-B180

FIG. 18 MIDDLE DRIVE GEAR

REF. NO.	PART NO.	DESCRIPTION	USA	EUR	OCE	JPN	REMARKS
20	4KB-17531-30	SHIM, PINION (0.30T)	2	2	2	2	UR
	4KB-17531-40	SHIM, PINION (0.40T)	2	2	2	2	UR
	4KB-17531-50	SHIM, PINION (0.50T)	2	2	2	2	UR
	4KB-17531-60	SHIM, PINION (0.60T)	2	2	2	2	UR
21	5KM-1761A-10	SHAFT, 1	1	1	1	1	
22	93306-20597	BEARING	1	1	1	1	
23	5KM-45593-00	FLANGE, COUPLING 1	1	1	1	1	
24	90201-14633	WASHER, PLATE	1	1	1	1	
25	90185-14070	NUT, SELF-LOCKING	1	1	1	1	
26	90179-55660	NUT	1	1	1	1	
27	93102-44454	OIL SEAL	1	1	1	1	

FIG. 19 SHIFT CAM & FORK

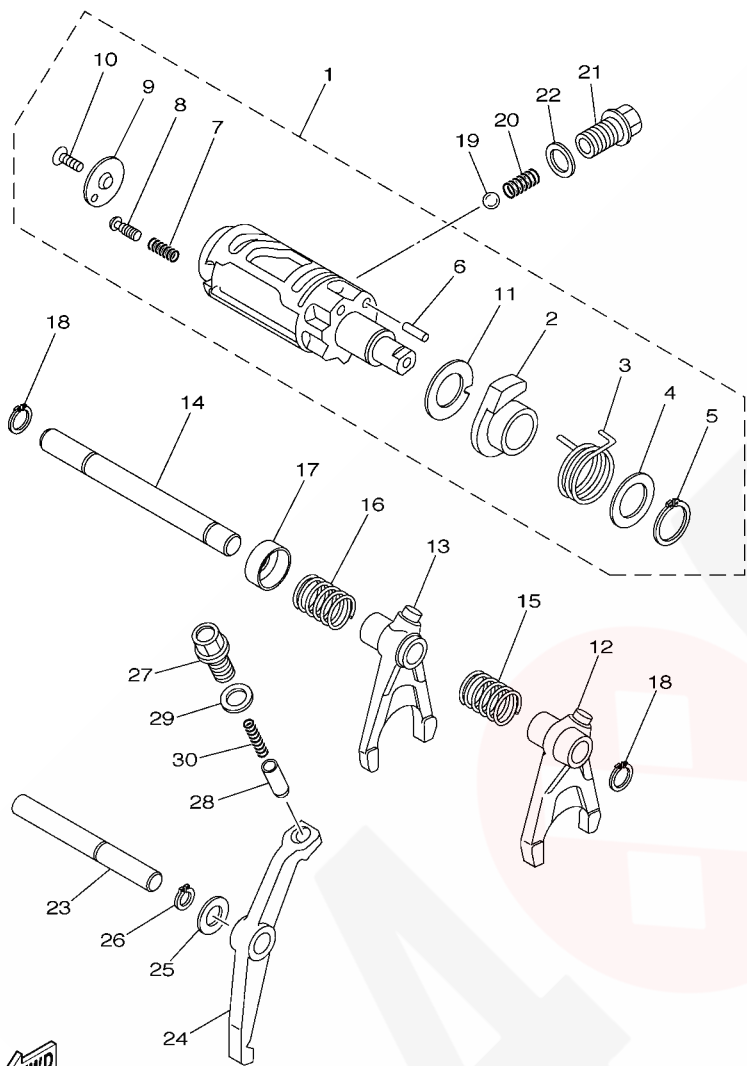


5KMH100-C190

REF. NO.	PART NO.	DESCRIPTION	USA	EUR	OC	JPN	REMARKS
1	5KM-18540-01	SHIFT CAM ASSY	1	1	1	1	
2	5KM-18171-00	.CAM, LEVER	1	1	1	1	
3	90508-32018	.SPRING, TORSION	1	1	1	1	
4	90201-20792	.WASHER, PLATE	1	1	1	1	
5	93410-20038	.CIRCLIP	1	1	1	1	
6	93604-18100	.PIN, DOWEL	1	1	1	1	
7	90501-06022	.SPRING, COMPRESSION	1	1	1	1	
8	5KM-18542-00	.POINT, NEUTRAL	1	1	1	1	
9	4UN-18566-00	.PLATE, SIDE 2	1	1	1	1	
10	90149-05321	.SCREW	1	1	1	1	
11	5KM-18331-00	.PLATE, SHIFT CAM	1	1	1	1	
12	5KM-18511-00	FORK, SHIFT 1	1	1	1	1	
13	5KM-18512-00	FORK, SHIFT 2	1	1	1	1	
14	5KM-18531-01	BAR, SHIFT FORK GUIDE 1	1	1	1	1	
15	90501-12016	SPRING, COMPRESSION	1	1	1	1	
16	90501-16002	SPRING, COMPRESSION	1	1	1	1	
17	5KM-18323-00	CAP, SPRING	1	1	1	1	
18	99009-12400	CIRCLIP	2	2	2	2	
19	93503-08007	BALL	1	1	1	1	
20	90501-10353	SPRING, COMPRESSION	1	1	1	1	
21	90105-14367	BOLT, FLANGE	1	1	1	1	
22	90430-14194	GASKET	1	1	1	1	
23	5KM-18318-00	SHAFT, SHIFTER	1	1	1	1	
24	5KM-18148-00	LEVER, STOPPER	1	1	1	1	
25	90201-127J6	WASHER, PLATE	1	1	1	1	
26	99009-12400	CIRCLIP	1	1	1	1	
27	90109-14002	BOLT	1	1	1	1	

D3

FIG. 19 SHIFT CAM & FORK



5KMH100-C190

REF. NO.	PART NO.	DESCRIPTION	USA	EUR	OCE	JPN	REMARKS
28	1J7-18547-00	STOPPER, CAM	1	1	1	1	
29	90430-14043	GASKET	1	1	1	1	
30	90501-12004	SPRING, COMPRESSION	1	1	1	1	

D4

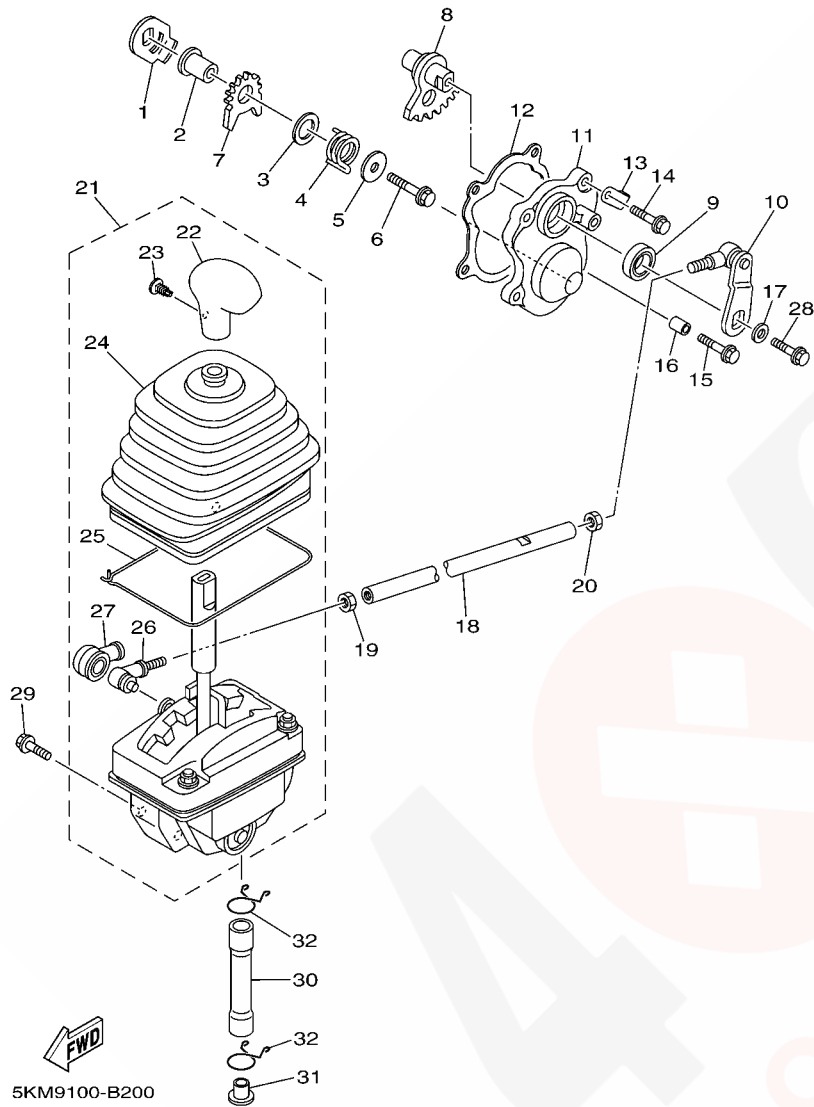


FIG. 20 SHIFT SHAFT

REF. NO.	PART NO.	DESCRIPTION	USA	EUR	OC	JPN	REMARKS
1	4SH-18198-00	LEVER	1	1	1	1	
2	90387-0613B	COLLAR	1	1	1	1	
3	90201-132G5	WASHER, PLATE	1	1	1	1	
4	90508-35764	SPRING, TORSION	1	1	1	1	
5	90201-06008	WASHER, PLATE	1	1	1	1	
6	95817-06035	BOLT, FLANGE	1	1	1	1	
7	5KM-18191-00	LEVER	1	1	1	1	
8	5KM-18197-00	SHAFT	1	1	1	1	
9	93102-15212	OIL SEAL	1	1	1	1	
10	5KM-18104-00	SHIFT GUIDE COMP.	1	1	1	1	
11	5KM-18129-01	COVER, SHIFT SHAFT	1	1	1	1	
12	5KM-18146-00	GASKET	1	1	1	1	
13	90465-10026	CLAMP	1	1	1	1	
14	95027-06020	BOLT, FLANGE	3	3	3	3	
15	95027-06030	BOLT, FLANGE	1	1	1	1	
16	99530-08012	PIN, DOWEL	1	1	1	1	
17	90201-06008	WASHER, PLATE	1	1	1	1	
18	5KM-18115-10	ROD, SHIFT	1	1	1	1	
19	90170-08358	NUT	1	1	1	1	
20	95307-08700	NUT	1	1	1	1	
21	5KM-18300-01	SHIFTER ASSY	1	1	1	1	
22	5GH-18174-00	.KNOB, SHIFT LEVER	1	1	1	1	
23	90269-05055	.RIVET	1	1	1	1	
24	5KM-18131-00	.BOOT, SEALING	1	1	1	1	
25	5GH-18617-00	.STOPPER,RUBBER	1	1	1	1	
26	1KT-18157-00	.JOINT 2	1	1	1	1	
27	2H9-18154-00	.COVER, DUST	1	1	1	1	

D5

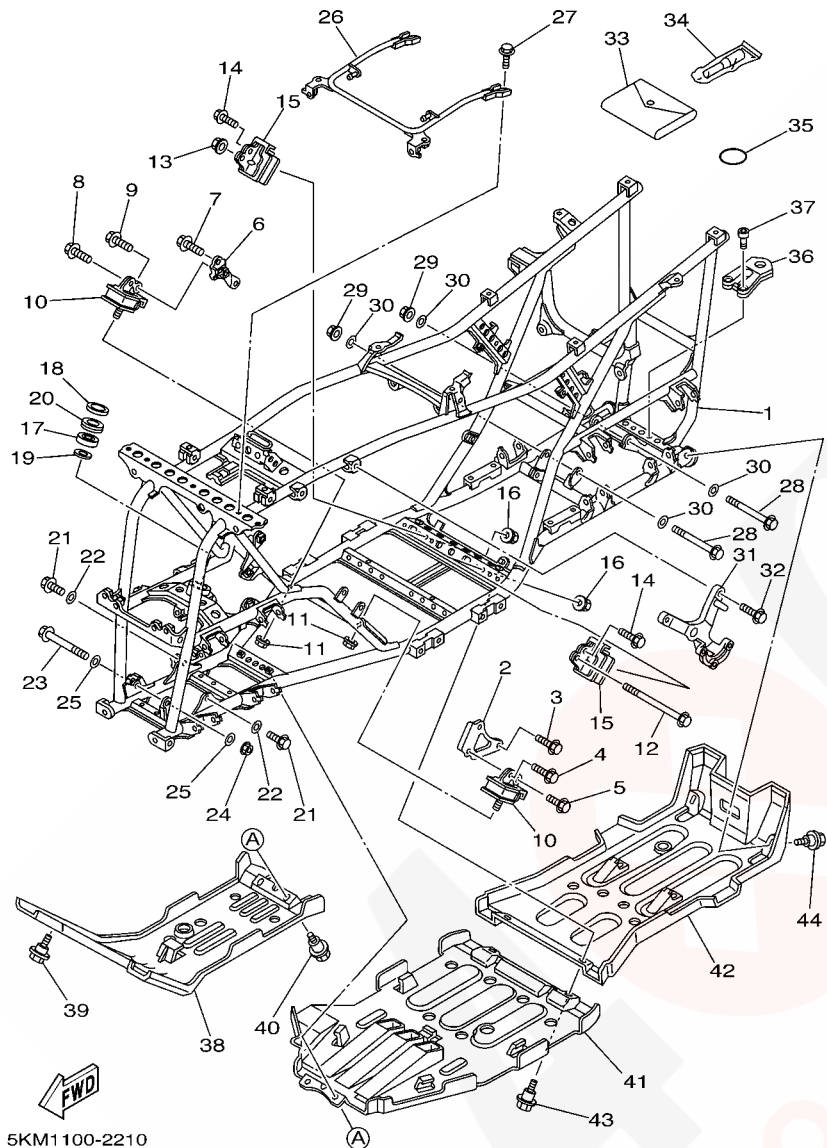


FIG. 21 FRAME

REF. NO.	PART NO.	DESCRIPTION	USA	EUR	OCE	JPN	REMARKS
1	5KM-21110-10	FRAME COMP.	1	1	1	1	
2	5KM-21315-00	STAY, ENGINE 2	1	1	1	1	
3	95817-08020	BOLT, FLANGE	2	2	2	2	
4	95817-08016	BOLT, FLANGE	1	1	1	1	
5	95027-06016	BOLT, FLANGE	1	1	1	1	
6	5KM-21316-00	STAY, ENGINE 3	1	1	1	1	
7	95817-08020	BOLT, FLANGE	2	2	2	2	
8	95817-08016	BOLT, FLANGE	1	1	1	1	
9	95027-06016	BOLT, FLANGE	1	1	1	1	
10	5KM-21485-10	DAMPER, RUBBER 1	2	2	2	2	
11	95607-10200	NUT, U FLANGE	2	2	2	2	
12	90105-10300	BOLT, FLANGE	1	1	1	1	
13	95607-10200	NUT, U FLANGE	1	1	1	1	
14	95027-06016	BOLT, FLANGE	2	2	2	2	
15	5KM-21486-10	DAMPER 2	2	2	2	2	
16	95607-10200	NUT, U FLANGE	2	2	2	2	
17	93306-20331	BEARING	1	1	1	1	
18	93102-25081	OIL SEAL	1	1	1	1	
19	93102-25099	OIL SEAL	1	1	1	1	
20	5GT-23872-00	HOLDER, BEARING	1	1	1	1	
21	95817-10030	BOLT, FLANGE	2	2	2	2	
22	90201-101J1	WASHER, PLATE	2	2	2	2	
23	90105-10051	BOLT, FLANGE	1	1	1	1	
24	95607-10200	NUT, U FLANGE	1	1	1	1	
25	90201-101J1	WASHER, PLATE	2	2	2	2	
26	5KM-21513-00	STAY, FENDER 1	1	1	1	1	
27	95827-06012	BOLT, FLANGE	2	2	2	2	

D7

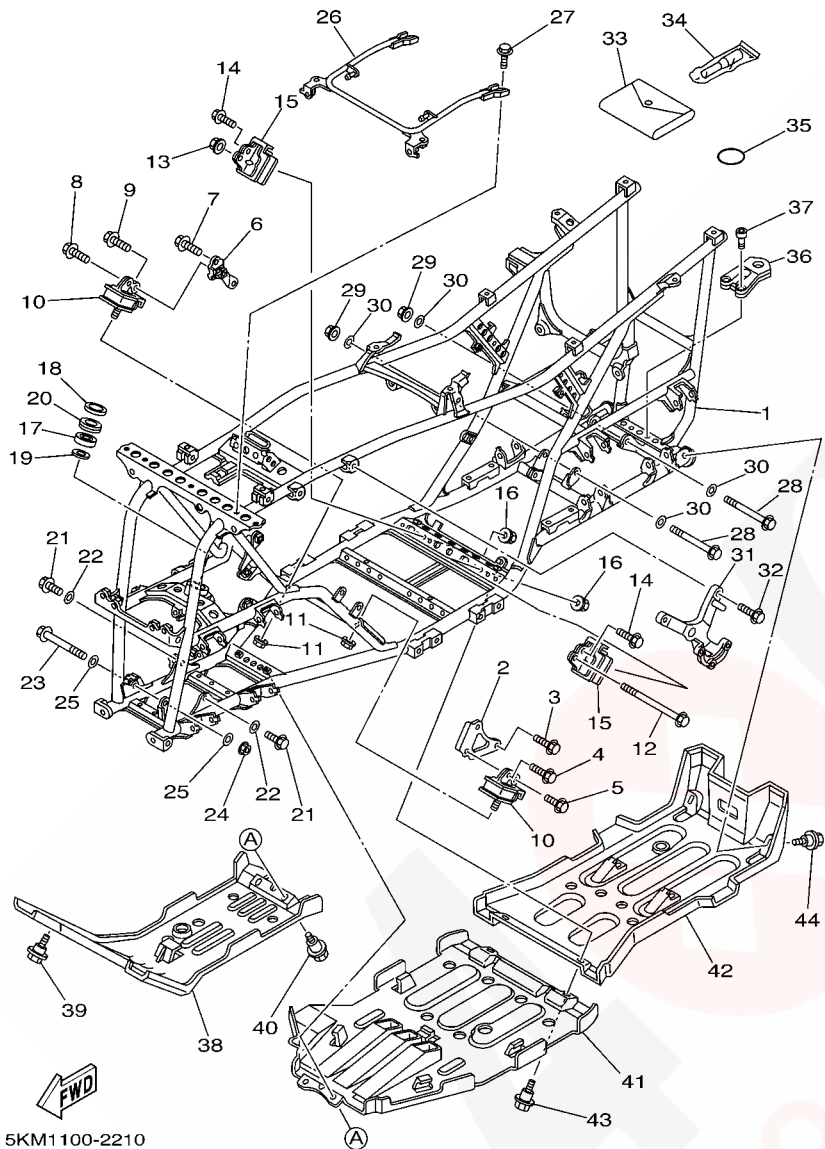
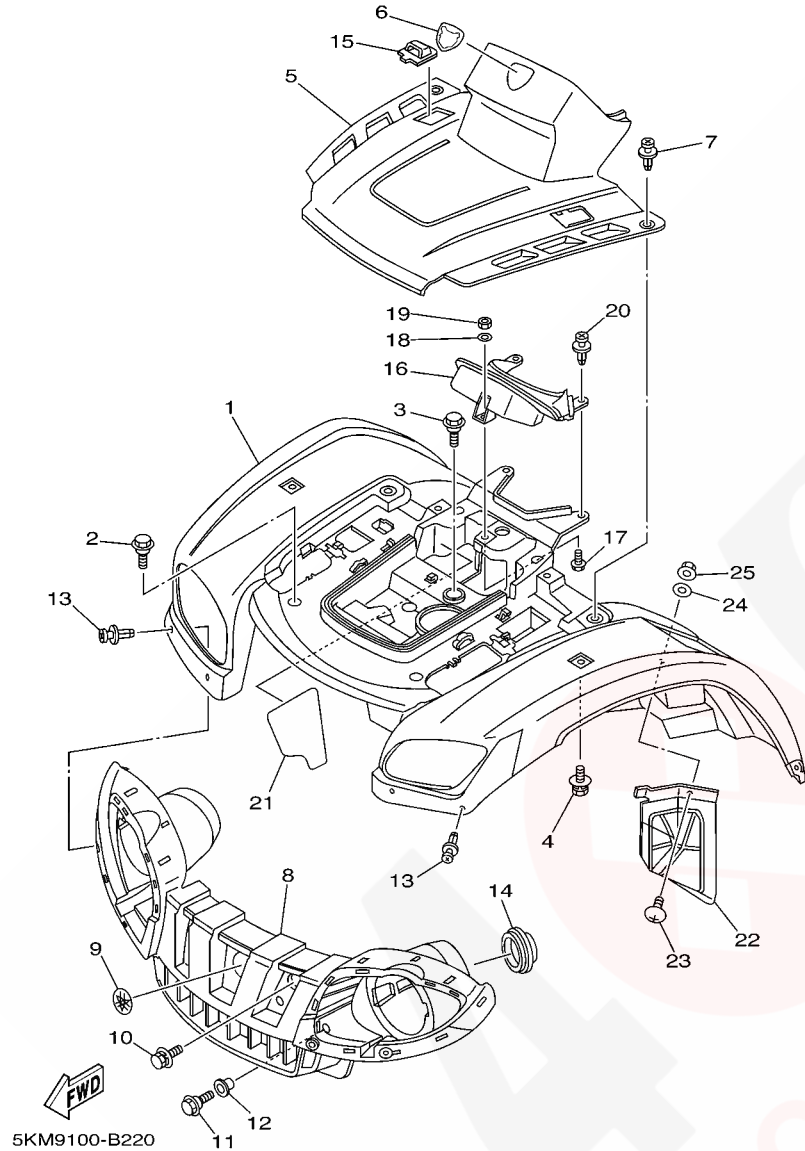


FIG. 21 FRAME

REF. NO.	PART NO.	DESCRIPTION	USA	EUR	OCE	JPN	REMARKS
28	90105-10051	BOLT, FLANGE	2	2	2	2	
29	95607-10200	NUT, U FLANGE	2	2	2	2	
30	90201-101J1	WASHER, PLATE	4	4	4	4	
31	5KM-21585-00	ARM	1	1	1	1	
32	95827-08020	BOLT, FLANGE	2	2	2	2	
33	4WV-28100-00	TOOL KIT	1	1	1	1	
34	1NV-2811A-01	GAUGE, AIR	1	1	1	1	
35	93210-41041	O-RING	1	1	1	1	
36	5KM-28488-00	HOOK	1	1		1	
	5KM-28488-10	HOOK				1	
37	91317-10025	BOLT	2	2	2	2	
38	5KM-2147A-00	GUARD, ENGINE 1	1	1	1	1	
39	90109-063F1	BOLT	2	2	2	2	
40	90109-063F5	BOLT	2	2	2	2	
41	5KM-2147E-00	GUARD, ENGINE 2	1	1	1	1	
42	5KM-2147F-00	GUARD, ENGINE 3	1	1	1	1	
43	90109-063F5	BOLT	2	2	2	2	
44	90109-063F1	BOLT	2	2	2	2	

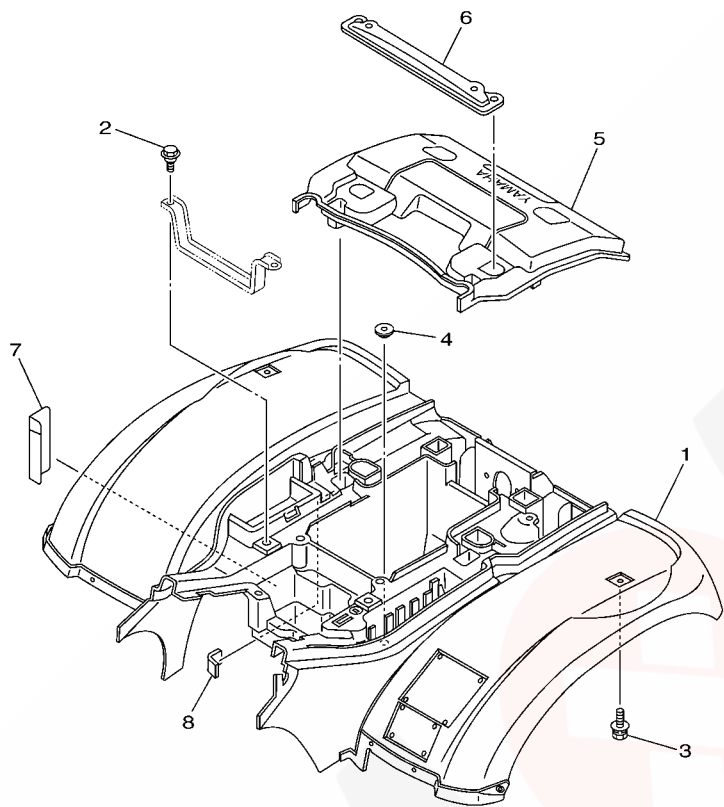
FIG. 22 FRONT FENDER



REF. NO.	PART NO.	DESCRIPTION	USA	EUR	OCE	JPN	REMARKS
1	5KM-W2151-00	FRONT FENDER COMP.	1				UR FOR PDG
	5KM-W2151-10	FRONT FENDER COMP.	1				UR FOR RTR
	5KM-W2151-40	FRONT FENDER COMP.	1				UR FOR DPBSN
	5KM-W215B-00	FRONT FENDER COMP. 2		1			UR FOR PDG
	5KM-W215B-10	FRONT FENDER COMP. 2		1			UR FOR RTR
	5KM-W215E-30	FRONT FENDER COMP.			1		FOR DPBSE
	5KM-W215D-00	FRONT FENDER COMP. 2				1	FOR PDG
2	90109-063F1	BOLT	2	2	2	2	
3	90109-063F1	BOLT	1	1	1	1	
4	90119-06056	BOLT, WITH WASHER	2	2	2	2	
5	5KM-23391-00	PANEL, FRONT	1	1	1	1	
6	5FE-26232-00	EMBLEM 3D	1	1	1	1	
7	90269-07076	RIVET	2	2	2	2	
8	5KM-28309-00	GRILLE, FRONT	1	1	1	1	
9	5KM-2175B-00	TUNING FORK MARK	1	1	1	1	
10	90119-06056	BOLT, WITH WASHER	2	2	2	2	
11	95807-06016	BOLT, FLANGE	2	2	2	2	
12	90387-06648	COLLAR	2	2	2	2	
13	90269-07076	RIVET	4	4	4	4	
14	5GH-28349-00	CAP	2	2	2	2	
15	5KM-23338-00	CAP, SIDE 1	2	2	2	2	
16	5KM-2837L-00	PANEL, CONSOLE 1	1	1	1	1	
17	90109-063F5	BOLT	1	1	1	1	
18	90201-07081	WASHER, PLATE	1	1	1	1	
19	95317-06600	NUT	1	1	1	1	
20	90269-07076	RIVET	2	2	2	2	
21	5KM-21575-10	SEAL 1	1	1	1	1	

D9

FIG. 23 REAR FENDER



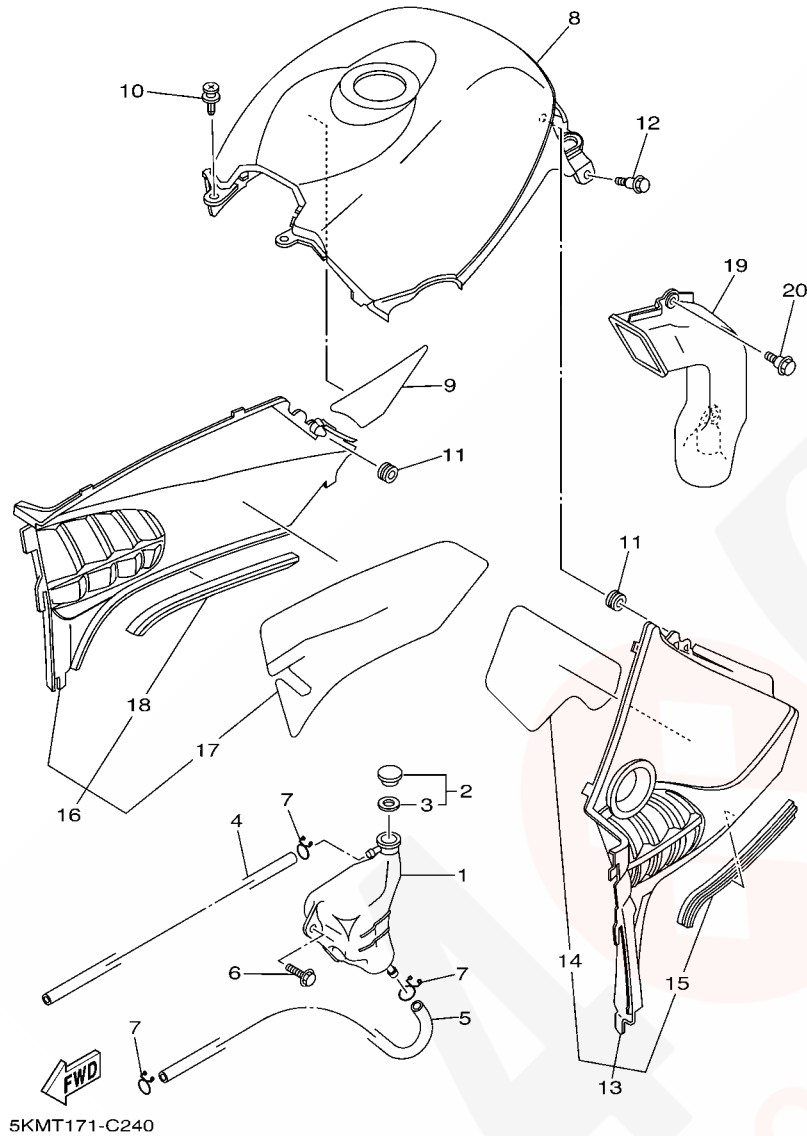
REF. NO.	PART NO.	DESCRIPTION	USA	EUR	OCE	JPN	REMARKS
1	5KM-W2161-01	REAR FENDER COMP.	1			1	UR FOR PDG
	5KM-W2161-11	REAR FENDER COMP.	1				UR FOR RTR
	5KM-W2161-41	REAR FENDER COMP.	1				UR FOR DPBSN
	5KM-W216B-01	REAR FENDER COMP.2		1			UR FOR PDG
	5KM-W216B-11	REAR FENDER COMP.2		1			UR FOR RTR
	5KM-W216B-31	REAR FENDER COMP.2			1		FOR DPBSE
2	90109-060F3	BOLT	2	2	2	2	
3	90119-06056	BOLT, WITH WASHER	2	2	2	2	
4	90338-09130	PLUG	1	1	1	1	
5	5KM-2160F-40	LID	1	1	1	1	
6	5KM-21613-00	STAY, FENDER 1	1	1	1	1	
7	5GH-2163E-00	COVER, REAR FENDER 2	1	1	1	1	
8	5KM-21652-10	PROTECTOR	1	1	1	1	



5KM9100-B230

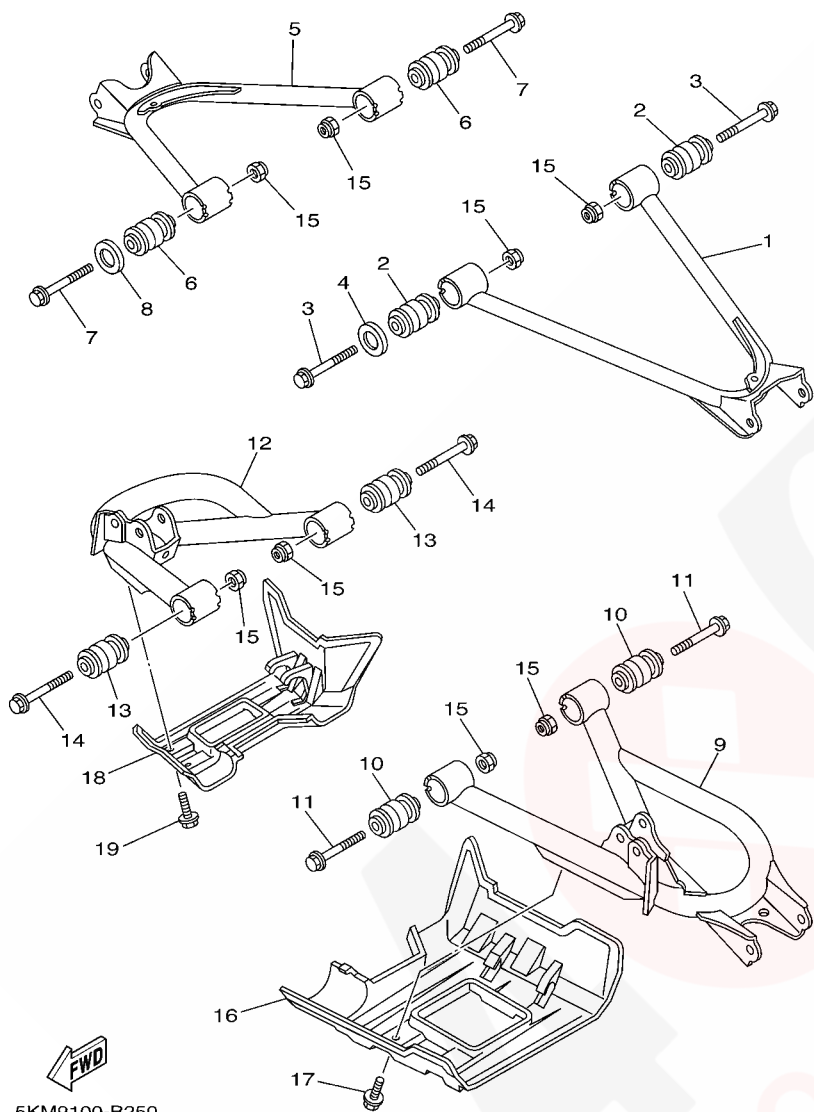
D11

FIG. 24 SIDE COVER



REF. NO.	PART NO.	DESCRIPTION	USA	EUR	OCE	JPN	REMARKS
1	5KM-21871-00	TANK, RECOVERY	1	1	1	1	
2	1AA-21815-00	CAP	1	1	1	1	
3	1AA-21874-00	.GASKET	1	1	1	1	
4	90445-096F4	HOSE (L870)	1	1	1	1	
5	90445-09635	HOSE (L910)	1	1	1	1	
6	90119-06056	BOLT, WITH WASHER	2	2	2	2	
7	90467-08003	CLIP	3	3	3	3	
8	5KM-2171A-00	COVER, TOP	1	1		1	UR FOR PDG
	5KM-2171A-10	COVER, TOP	1	1			UR FOR RTR
	5KM-2171A-40	COVER, TOP	1				UR FOR DPBSN
	5KM-2171A-30	COVER, TOP			1		FOR DPBSE
9	5KM-2174M-10	CLOTH, PROTECTOR	1	1	1	1	
10	90269-07076	RIVET	2	2	2	2	
11	90480-13567	GROMMET	2	2	2	2	
12	90109-063F1	BOLT	2	2	2	2	
13	5KM-21710-10	SIDE COVER ASSY 1	1	1	1	1	
14	5KM-2174A-20	.INSULATOR, SIDE COVER	1	1	1	1	
15	5KM-2171L-00	.MOLE, SIDE COVER 1	1	1	1	1	
16	5KM-21720-10	SIDE COVER ASSY 2	1	1	1	1	
17	5KM-2174T-20	.INSULATOR, SIDE COVER 2	1	1	1	1	
18	5KM-2171L-00	.MOLE, SIDE COVER 1	1	1	1	1	
19	5KM-21557-00	DUCT, AIR	1	1	1	1	
20	90109-063F1	BOLT	2	2	2	2	

FIG. 25 REAR ARM



REF. NO.	PART NO.	DESCRIPTION	USA	EUR	OCE	JPN	REMARKS
1	5KM-22171-00	ARM, REAR 1	1	1	1	1	
2	5KM-23526-10	BUSH	2	2	2	2	
3	90105-10323	BOLT, FLANGE	2	2	2	2	
4	5KM-22149-00	WASHER	1	1	1	1	
5	5KM-22172-00	ARM, REAR 2	1	1	1	1	
6	5KM-23526-10	BUSH	2	2	2	2	
7	90105-10323	BOLT, FLANGE	2	2	2	2	
8	5KM-22149-00	WASHER	1	1	1	1	
9	5KM-2217M-00	ARM 1	1	1	1	1	
10	5KM-23526-10	BUSH	2	2	2	2	
11	90105-10323	BOLT, FLANGE	2	2	2	2	
12	5KM-2217N-00	ARM 2	1	1	1	1	
13	5KM-23526-10	BUSH	2	2	2	2	
14	90105-10323	BOLT, FLANGE	2	2	2	2	
15	90185-10060	NUT, SELF-LOCKING	8	8	8	8	
16	5KM-22128-00	COVER, THRUST 1	1	1	1	1	
17	90119-06117	BOLT, WITH WASHER	2	2	2	2	
18	5KM-22129-00	COVER, THRUST 2	1	1	1	1	
19	90119-06117	BOLT, WITH WASHER	2	2	2	2	

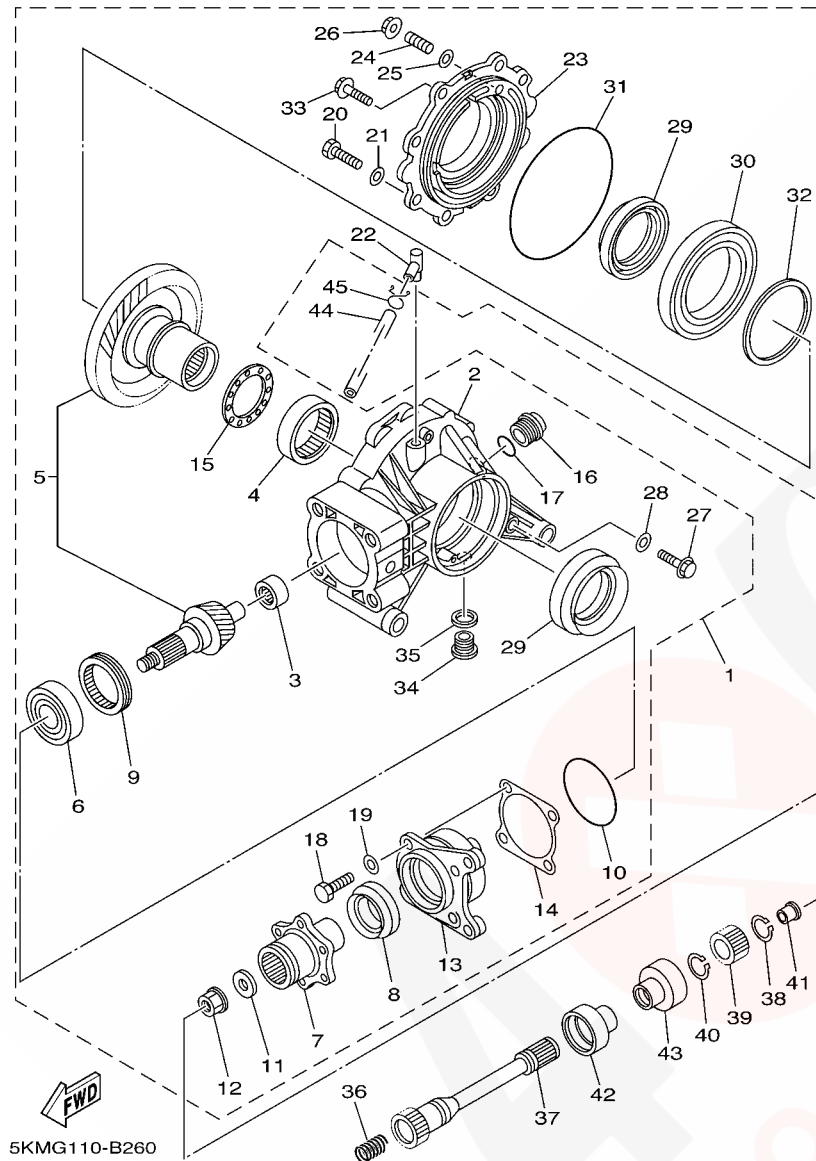
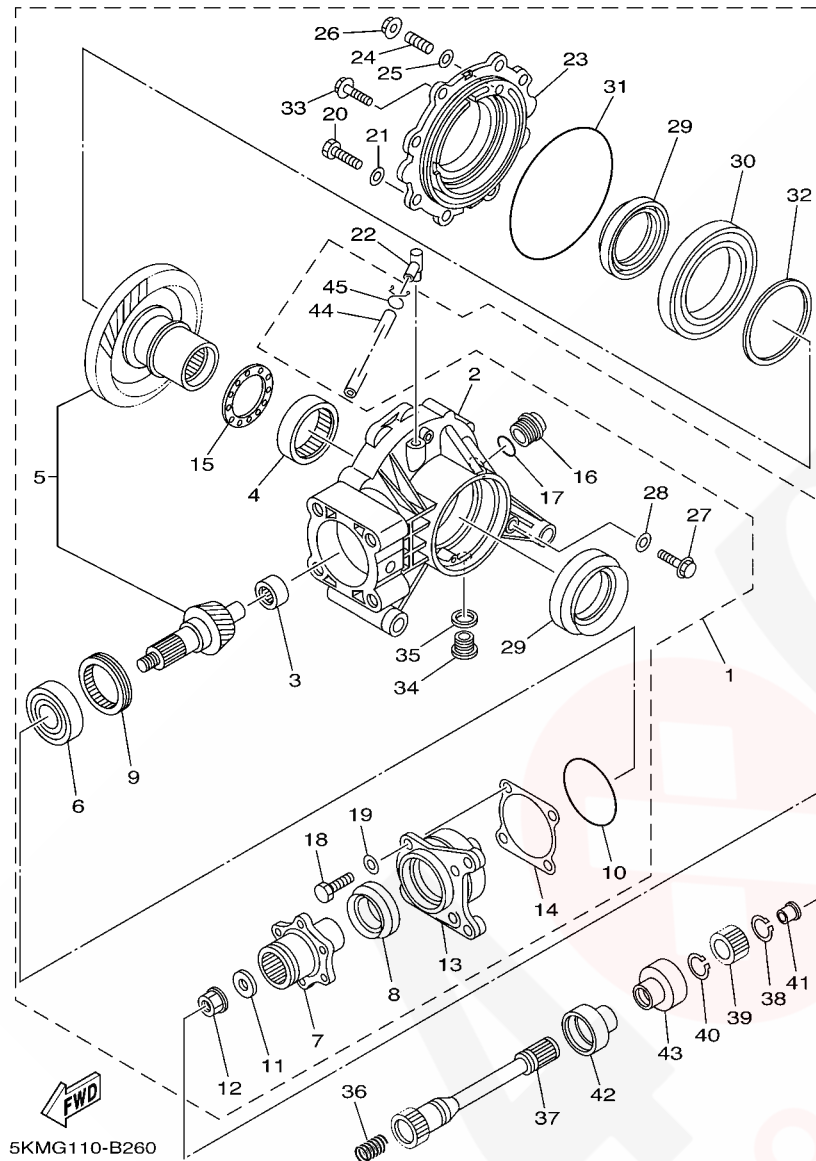


FIG. 26 DRIVE SHAFT

REF. NO.	PART NO.	DESCRIPTION	USA	EUR	OCE	JPN	REMARKS
1	5KM-46101-11	REAR AXLE GEAR CASE ASSY	1	1	1	1	
2	5KM-46151-01	.HOUSING, DRIVE SHAFT	1	1	1	1	
3	5KM-46102-00	.BEARING ASSY	1	1	1	1	
4	93317-85569	.BEARING	1	1	1	1	
5	5KM-Y4612-00	.RING GEAR SET	1	1	1	1	
6	93306-30574	.BEARING	1	1	1	1	
7	5KM-46212-00	.BOSS, 1	1	1	1	1	
8	93102-35009	.OIL SEAL	1	1	1	1	
9	90179-65001	.NUT	1	1	1	1	
10	93210-626A7	.O-RING	1	1	1	1	
11	90201-12191	.WASHER, PLATE	1	1	1	1	
12	90179-12325	.NUT	1	1	1	1	
13	5KM-46144-01	.HOUSING, PINION BEARING	1	1	1	1	
14	2HR-46127-00-25	.SHIM, DRIVE PISTON (0.25T)	1	1	1	1	UR
	2HR-46127-00-30	.SHIM, DRIVE PISTON (0.30T)	1	1	1	1	UR
	2HR-46127-00-35	.SHIM, DRIVE PISTON (0.35T)	1	1	1	1	UR
	2HR-46127-00-40	.SHIM, DRIVE PISTON (0.40T)	1	1	1	1	UR
	2HR-46127-00-45	.SHIM, DRIVE PISTON (0.45T)	1	1	1	1	UR
	2HR-46127-00-50	.SHIM, DRIVE PISTON (0.50T)	1	1	1	1	UR
15	24W-46118-00-12	.WASHER, THRUST (1.2T)	1	1	1	1	UR
	24W-46118-00-14	.WASHER, THRUST (1.4T)	1	1	1	1	UR
	24W-46118-00-16	.WASHER, THRUST (1.6T)	1	1	1	1	UR
	24W-46118-00-18	.WASHER, THRUST (1.8T)	1	1	1	1	UR
	24W-46118-00-20	.WASHER, THRUST (2.0T)	1	1	1	1	UR
16	90340-20143	.PLUG, STRAIGHT SCREW	1	1	1	1	
17	93210-19123	.O-RING	1	1	1	1	
18	97017-08035	.BOLT	4	4	4	4	

D14



5KMG110-B260

FIG. 26 DRIVE SHAFT

REF. NO.	PART NO.	DESCRIPTION	USA	EUR	OCE	JPN	REMARKS
19	92907-08600	.WASHER, PLATE	4	4	4	4	
20	97027-08025	.BOLT	6	6	6	6	
21	92907-08600	.WASHER, PLATE	6	6	6	6	
22	2N4-15371-00	.BREATHER	1	1	1	1	
23	5KM-46152-00	.HOUSING, BEARING	1	1	1	1	
24	2HR-46156-00	.STOPPER, RING GEAR	1	1	1	1	
25	90201-08087	.WASHER, PLATE	1	1	1	1	
26	95707-08500	.NUT, FLANGE	1	1	1	1	
27	95027-08012	.BOLT, FLANGE	1	1	1	1	
28	90201-08087	.WASHER, PLATE	1	1	1	1	
29	93102-65004	.OIL SEAL	2	2	2	2	
30	93316-01701	.BEARING	1	1	1	1	
31	93211-51749	.O-RING	1	1	1	1	
32	22U-46117-00-25	.SHIM, RING GEAR (0.25T)	1	1	1	1	UR
	22U-46117-00-30	.SHIM, RING GEAR (0.30T)	1	1	1	1	UR
	22U-46117-00-40	.SHIM, RING GEAR (0.40T)	1	1	1	1	UR
33	95817-10025	.BOLT, FLANGE	2	2	2	2	
34	90340-14046	.PLUG, STRAIGHT SCREW	1	1	1	1	
35	214-11198-01	.GASKET	1	1	1	1	
36	90501-18002	SPRING, COMPRESSION	1	1	1	1	
37	5KM-46172-00	SHAFT, DRIVE	1	1	1	1	
38	99009-19400	CIRCLIP	1	1	1	1	
39	5KM-46126-00	COUPLING	1	1	1	1	
40	93410-22039	CIRCLIP	1	1	1	1	
41	5KM-46559-00	DAMPER	1	1	1	1	
42	5KM-46137-00	SEAL 2	1	1	1	1	
43	5KM-46136-00	SEAL 1	1	1	1	1	

D15

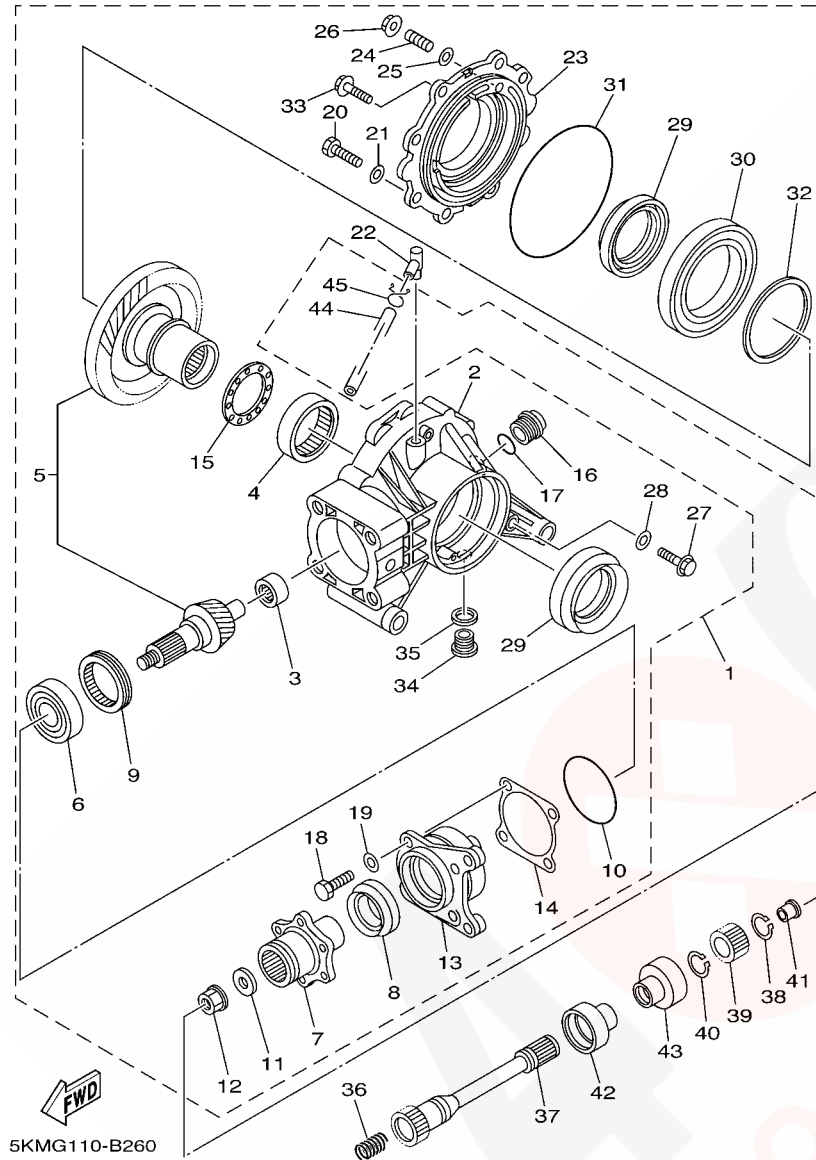
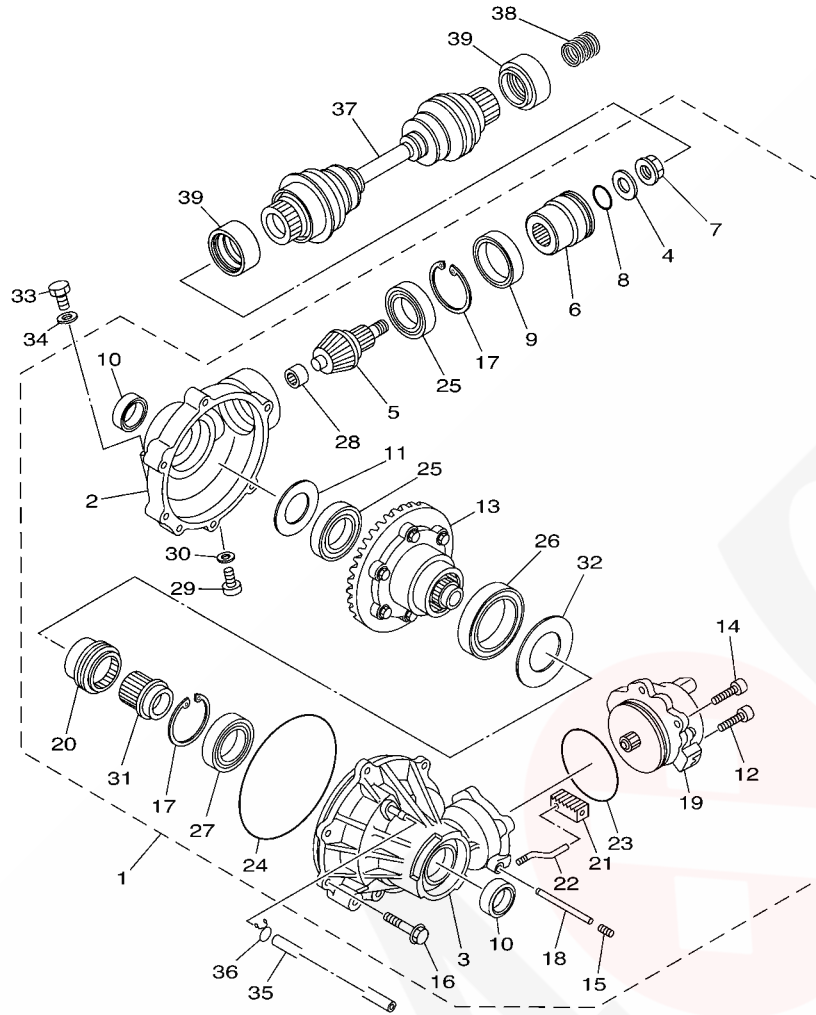


FIG. 26 DRIVE SHAFT

REF. NO.	PART NO.	DESCRIPTION	USA	EUR	OCE	JPN	REMARKS
44	90445-07371	HOSE (L700)	1	1	1	1	
45	90467-07029	CLIP	1	1	1	1	

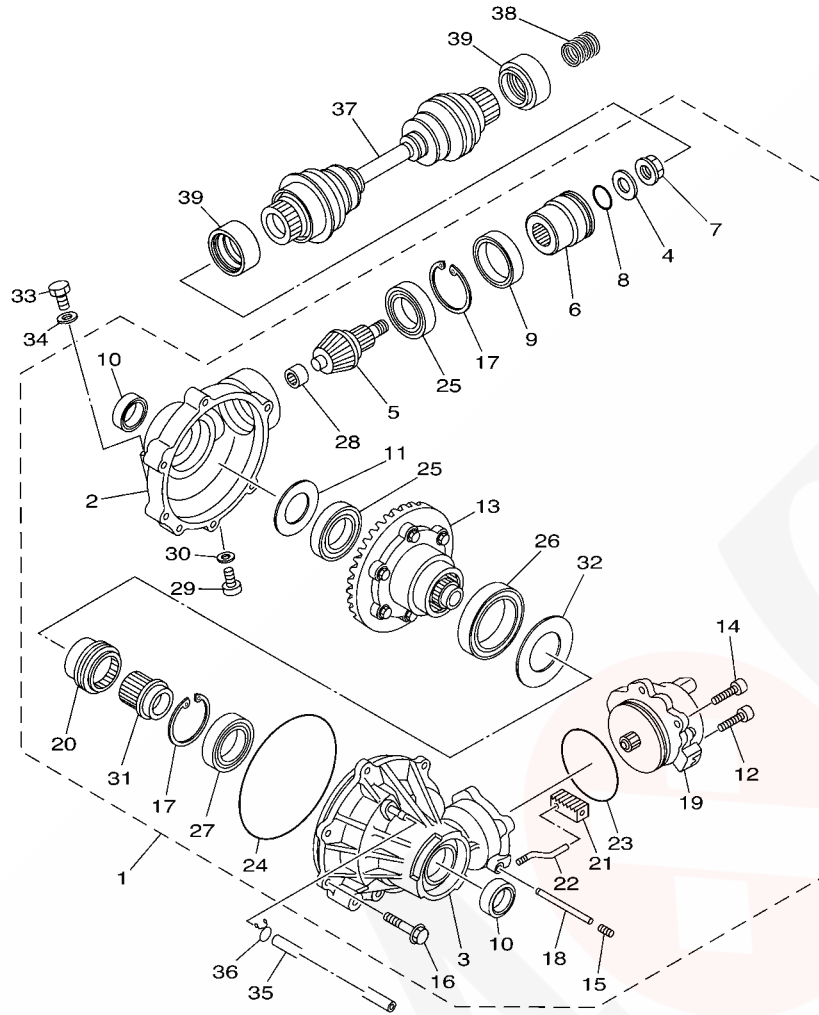
FIG. 27 FRONT DIFFERENTIAL



5KMU100-D271

REF. NO.	PART NO.	DESCRIPTION	USA	EUR	OC	JPN	REMARKS
1	5KM-46160-12	FRONT AXLE GEAR CASE COMP.	1	1	1	1	
2	5KM-46161-00	.HOUSING, SHAFT DRIVE 2	1	1	1	1	
3	5KM-46162-00	.HOUSING, BEARING 2	1	1	1	1	
4	90201-14633	.WASHER, PLATE	1	1	1	1	
5	5KM-46141-11	.PINION, DRIVE 2	1	1	1	1	
6	5KM-67839-00	.CUPLING	1	1	1	1	
7	4WV-46145-00	.NUT 1	1	1	1	1	
8	93210-14359	.O-RING	1	1	1	1	
9	93102-48012	.OIL SEAL	1	1	1	1	
10	93102-24034	.OIL SEAL	2	2	2	2	
11	4WV-46119-01	.SHIM, THRUST (0.1T)	1	1	1	1	UR
	4WV-46119-11	.SHIM, THRUST (0.2T)	1	1	1	1	UR
	4WV-46119-21	.SHIM, THRUST (0.3T)	1	1	1	1	UR
	4WV-46119-31	.SHIM, THRUST (0.4T)	1	1	1	1	UR
	4WV-46119-41	.SHIM, THRUST (0.5T)	1	1	1	1	UR
	4WV-46119-51	.SHIM, THRUST (1.0T)	1	1	1	1	UR
12	5KM-46155-00	.BOLT 1	1	1	1	1	
13	5KM-46470-12	.LIMITED SLIP DIFF. ASSY	1	1	1	1	
14	91317-08020	.BOLT	2	2	2	2	
15	90113-08004	.BOLT, SET	1	1	1	1	
16	4WV-46159-00	.BOLT 3	6	6	6	6	
17	5KM-46143-00	.RING,HOLE SNAP 2	2	2	2	2	
18	5KM-42752-00	.SHAFT	1	1	1	1	
19	5KM-4616A-01	.SERVO MOTOR COMP	1	1	1	1	
20	5KM-46441-00	.CLUTCH,DRIVEN	1	1	1	1	
21	5KM-18319-00	.SHAFT 2	1	1	1	1	
22	5KM-18514-00	.FORK, SHIFT 4	1	1	1	1	

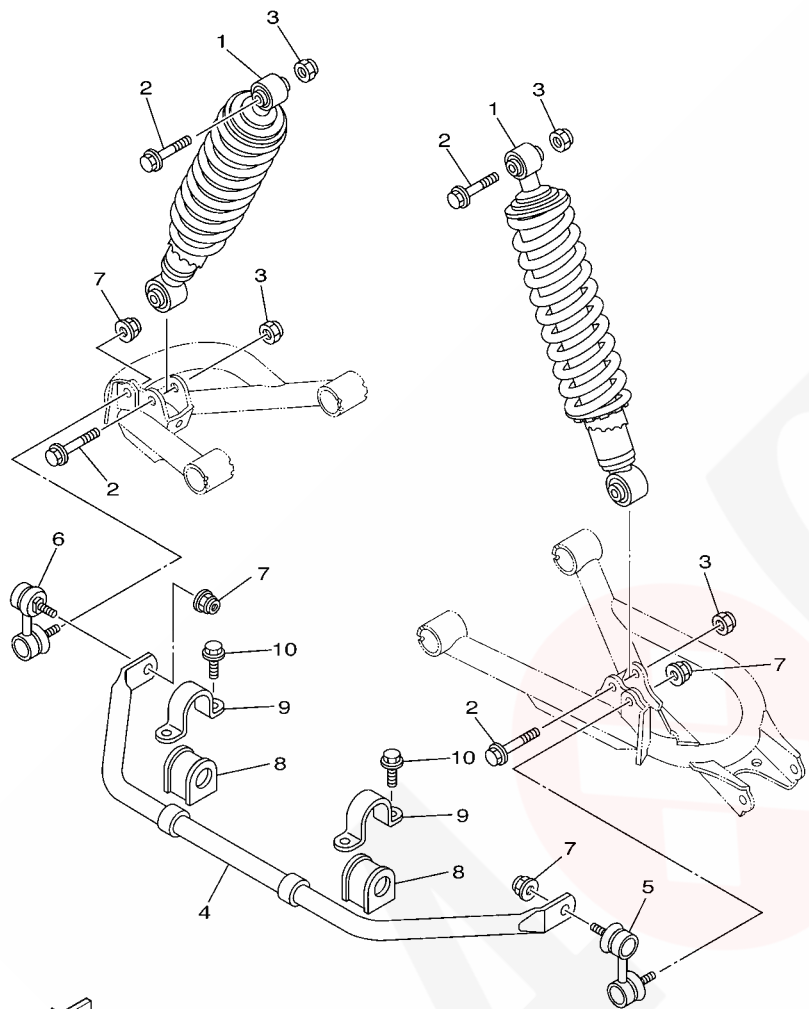
FIG. 27 FRONT DIFFERENTIAL



5KMU100-D271

REF. NO.	PART NO.	DESCRIPTION	USA	EUR	OCE	JPN	REMARKS
23	93210-82001	.O-RING	1	1	1	1	
24	93211-40040	.O-RING	1	1	1	1	
25	93306-00709	.BEARING	2	2	2	2	
26	93306-91201	.BEARING (B6912)	1	1	1	1	
27	93316-00702	.BEARING	1	1	1	1	
28	4WV-46167-00	.BEARING 4	1	1	1	1	
29	90340-10001	.PLUG, STRAIGHT SCREW	1	1	1	1	
30	90430-10003	.GASKET	1	1	1	1	
31	5KM-46451-00	.ADAPTER	1	1	1	1	
32	5KM-46119-01	.SHIM, THRUST (0.1T)	1	1	1	1	UR
	5KM-46119-11	.SHIM, THRUST (0.2T)	1	1	1	1	UR
	5KM-46119-21	.SHIM, THRUST (0.3T)	1	1	1	1	UR
	5KM-46119-31	.SHIM, THRUST (0.4T)	1	1	1	1	UR
	5KM-46119-41	.SHIM, THRUST (0.5T)	1	1	1	1	UR
	5KM-46119-51	.SHIM, THRUST (1.0T)	1	1	1	1	UR
	5KM-46119-61	.SHIM, THRUST (1.5T)	1	1	1	1	UR
33	90340-14029	PLUG, STRAIGHT SCREW	1	1	1	1	
34	214-11198-01	GASKET	1	1	1	1	
35	90445-07371	HOSE (L700)	1	1	1	1	
36	90467-07029	CLIP	1	1	1	1	
37	5KM-46173-10	SHAFT, DRIVE 2	1	1	1	1	
38	90501-200A0	SPRING, COMPRESSION	1	1	1	1	
39	5KM-22358-00	SEAL 1	2	2	2	2	

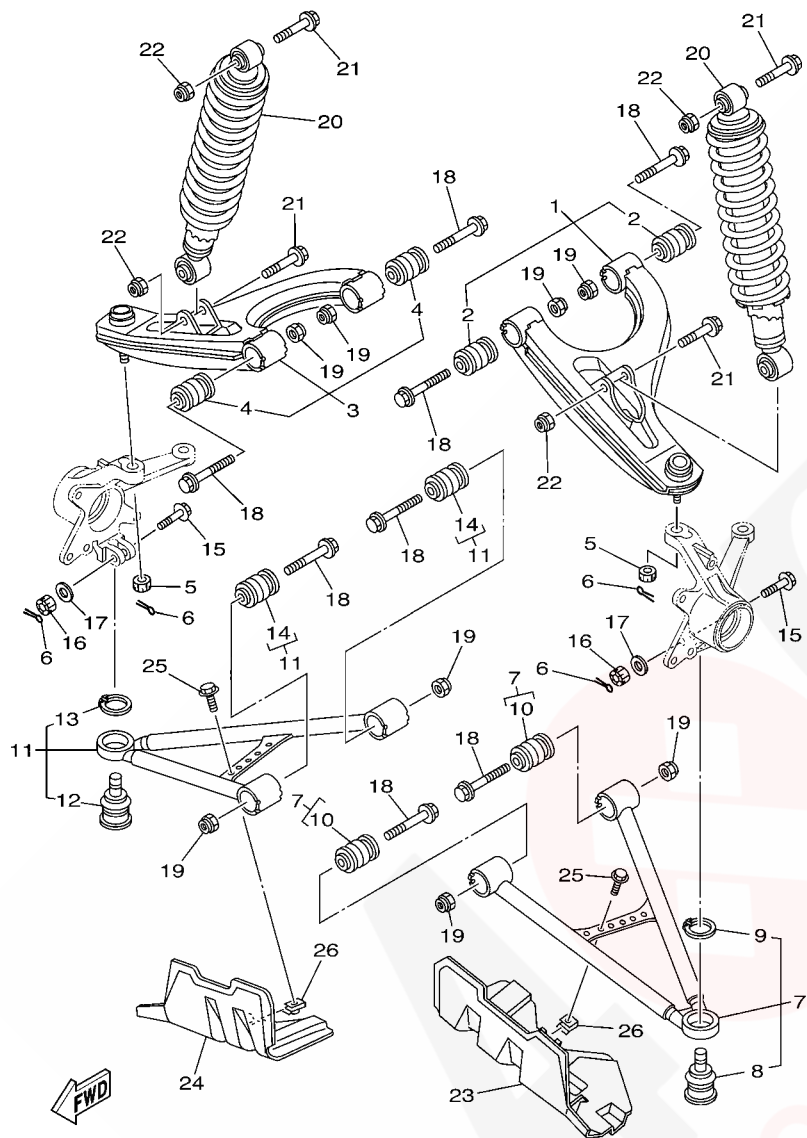
FIG. 28 REAR SUSPENSION



5KM1100-2281

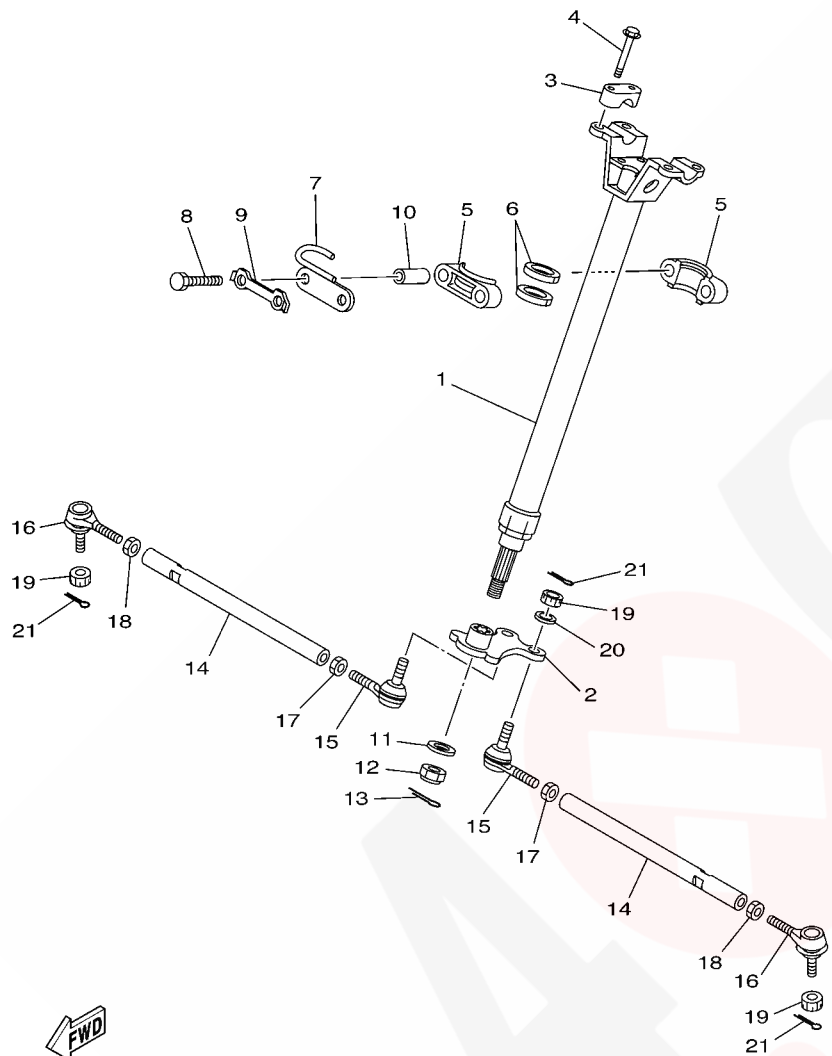
REF. NO.	PART NO.	DESCRIPTION	USA	EUR	OCE	JPN	REMARKS
1	5KM-22210-20	SHOCK ABSORBER ASSY, REAR	2			2	
	5KM-22210-30	SHOCK ABSORBER ASSY, REAR		2	2		
2	90105-10388	BOLT, FLANGE	4	4	4	4	
3	90185-10060	NUT, SELF-LOCKING	4	4	4	4	
4	5KM-47491-00	BAR, STABILIZER	1	1	1	1	
5	5KM-2385L-00	JOINT, STABILIZER 1	1	1	1	1	
6	5KM-2385M-00	JOINT, STABILIZER 2	1	1	1	1	
7	95607-10200	NUT, U FLANGE	4	4	4	4	
8	5KM-2386G-00	BUSH, STABILIZER FRONT	2	2	2	2	
9	5KM-2386H-00	COVER, STABILIZER FRONT	2	2	2	2	
10	95817-08014	BOLT, FLANGE	4	4	4	4	

FIG. 29 FRONT SUSPENSION & WHEEL



REF. NO.	PART NO.	DESCRIPTION	USA	EUR	OCE	JPN	REMARKS
1	5KM-23540-10	FRONT UPPER ARM COMP. (LEFT)	1	1	1	1	
2	5KM-23526-10	.BUSH	2	2	2	2	
3	5KM-23550-10	FRONT UPPER ARM COMP. (RIGHT)	1	1	1	1	
4	5KM-23526-10	.BUSH	2	2	2	2	
5	90171-10046	NUT, CASTLE	2	2	2	2	
6	91401-20020	PIN, COTTER	4	4	4	4	
7	5KM-23570-10	FRONT LOWER ARM COMP. (LEFT)	1	1	1	1	
8	5KM-23579-00	.BALL JOINT 2	1	1	1	1	
9	99009-30400	.CIRCLIP	1	1	1	1	
10	5KM-23526-10	.BUSH	2	2	2	2	
11	5KM-23580-10	FRONT LOWER ARM COMP. (RIGHT)	1	1	1	1	
12	5KM-23579-00	.BALL JOINT 2	1	1	1	1	
13	99009-30400	.CIRCLIP	1	1	1	1	
14	5KM-23526-10	.BUSH	2	2	2	2	
15	90105-10549	BOLT, FLANGE	2	2	2	2	
16	95337-10600	NUT	2	2	2	2	
17	90201-10430	WASHER, PLATE	2	2	2	2	
18	90105-10286	BOLT, FLANGE	8	8	8	8	
19	90185-10060	NUT, SELF-LOCKING	8	8	8	8	
20	5KM-23350-20	SHOCK ABSORBER ASSY	2			2	
	5KM-23350-30	SHOCK ABSORBER ASSY		2	2		
21	90105-10388	BOLT, FLANGE	4	4	4	4	
22	90185-10060	NUT, SELF-LOCKING	4	4	4	4	
23	5KM-23123-00	COVER, LOWER 1	1	1	1	1	
24	5KM-23133-00	COVER, LOWER 2	1	1	1	1	
25	95807-06012	BOLT, FLANGE	2	2	2	2	
26	90183-06053	NUT, SPRING	2	2	2	2	

FIG. 30 STEERING

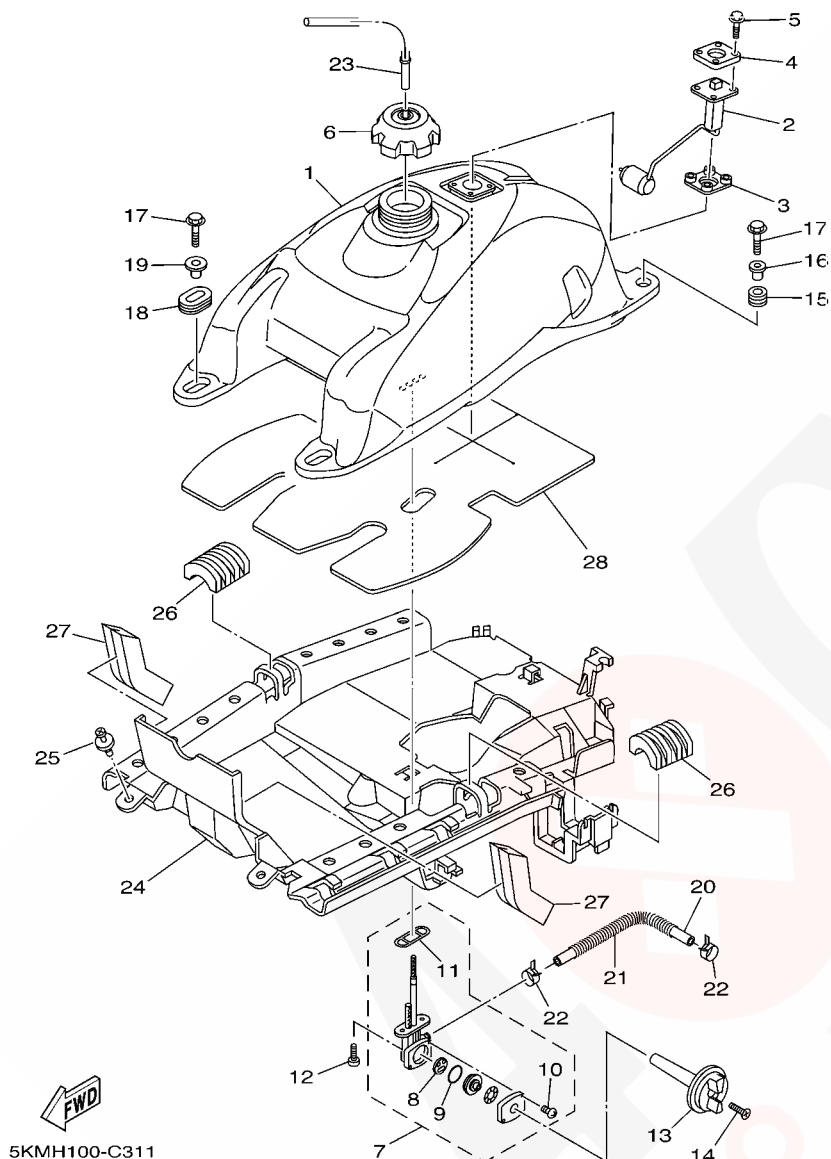



5KM1100-2300

REF. NO.	PART NO.	DESCRIPTION	USA	EUR	OC	JPN	REMARKS
1	5KM-23813-00	COLUMN, STEERING 2	1	1	1	1	
2	5KM-23816-00	ARM, PITMAN	1	1	1	1	
3	8K1-23814-00	HOLDER, HANDLE	2	2	2	2	
4	95827-08030	BOLT, FLANGE	4	4	4	4	
5	1UY-23812-00	PLANE BEARING, STEERING	2	2	2	2	
6	93112-31011	OIL SEAL	2	2	2	2	
7	5KM-23868-00	BRACKET, STEERING LOWER	1	1	1	1	
8	97027-08060	BOLT	2	2	2	2	
9	1UY-23894-01	WASHER, LOCK 1	1	1	1	1	
10	90387-090R0	COLLAR	2	2	2	2	
11	90201-14226	WASHER, PLATE	1	1	1	1	
12	90185-14070	NUT, SELF-LOCKING	1	1	1	1	
13	90468-16191	CLIP	1	1	1	1	
14	5KM-23831-00	ROD, TIE	2	2	2	2	
15	1UY-23841-01	JOINT, UNIVERSAL 1	2	2	2	2	
16	1UY-23845-01	JOINT, UNIVERSAL 2	2	2	2	2	
17	95307-10700	NUT	2	2	2	2	
18	90170-10186	NUT	2	2	2	2	(L.H. THREAD)
19	90171-10046	NUT, CASTLE	4	4	4	4	
20	92990-10600	WASHER, PLATE	2	2	2	2	
21	91401-20020	PIN, COTTER	4	4	4	4	

E7

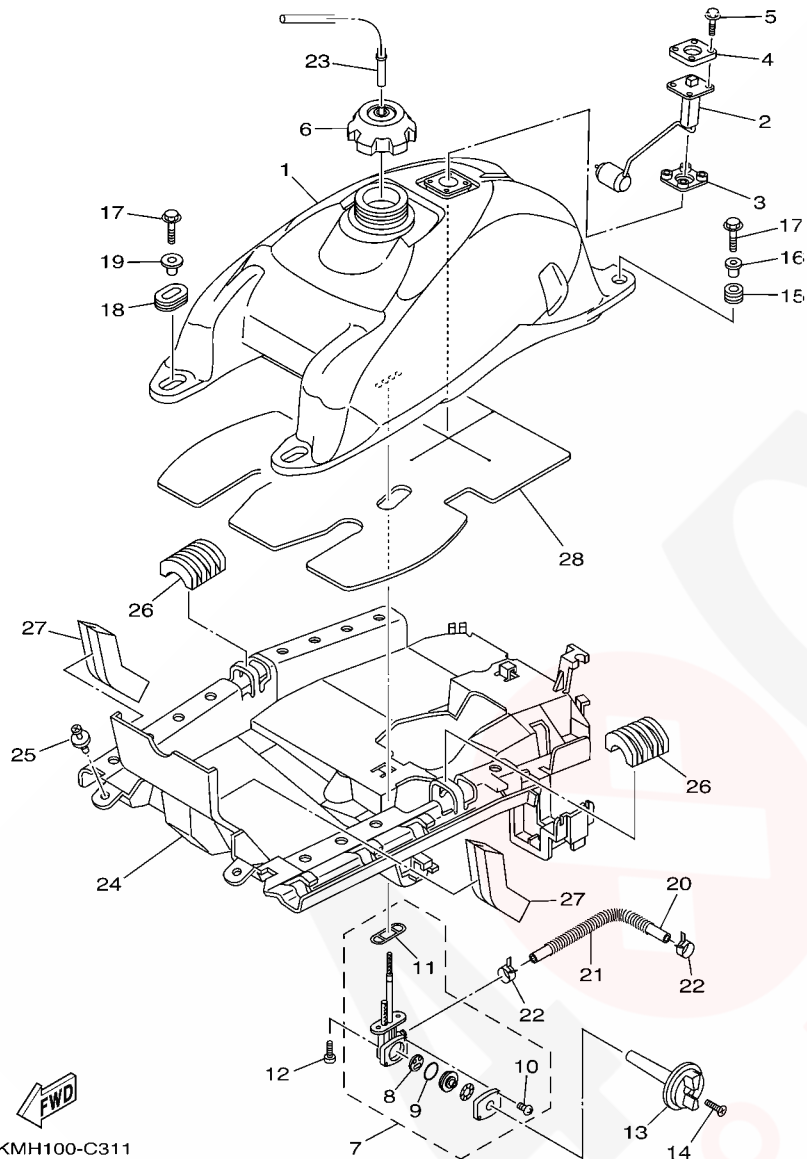
FIG. 31 FUEL TANK



5KMH100-C311

REF. NO.	PART NO.	DESCRIPTION	USA	EUR	OCE	JPN	REMARKS
1	5KM-24110-00	FUEL TANK COMP.	1	1	1	1	
2	5KM-85752-00	SENDER UNIT ASSY, FUEL METER	1	1	1	1	
3	4US-85753-00	GASKET, SENDER UNIT	1	1	1	1	
4	2JG-85757-00	RETAINER	1	1	1	1	
5	90119-05071	BOLT, WITH WASHER	4	4	4	4	
6	5ND-24610-00	CAP ASSY	1	1	1	1	
7	5KM-24500-00	FUEL COCK ASSY 1	1	1	1	1	
8	3AJ-24523-00	.VALVE PACKING	1	1	1	1	
9	3AJ-24534-00	.SEAL, COCK	1	1	1	1	
10	98507-03014	.SCREW, PAN HEAD	2	2	2	2	
11	4X8-24512-00	.O-RING	1	1	1	1	
12	90149-06011	SCREW	2	2	2	2	
13	5GH-24524-00	LEVER, COCK	1	1	1	1	
14	98707-04018	SCREW, FLAT HEAD	1	1	1	1	
15	90480-18290	GROMMET	2	2	2	2	
16	90387-066J1	COLLAR	2	2	2	2	
17	95807-06030	BOLT, FLANGE	4	4	4	4	
18	90480-01400	GROMMET	2	2	2	2	
19	90387-075H4	COLLAR	2	2	2	2	
20	5KM-24311-10	PIPE, FUEL 1	1	1	1	1	
21	5KM-24327-01	PROTECTOR, PIPE	1	1	1	1	
22	90467-12053	CLIP	2	2	2	2	
23	90445-09023	HOSE (L430)	1	1	1	1	
24	5KM-2414H-00	DAMPER, PLATE 1	1	1	1	1	
25	90269-07076	RIVET	2	2	2	2	
26	5KM-24181-00	DAMPER, LOCATING 1	2	2	2	2	
27	5KM-24182-00	DAMPER, LOCATING 2	2	2	2	2	

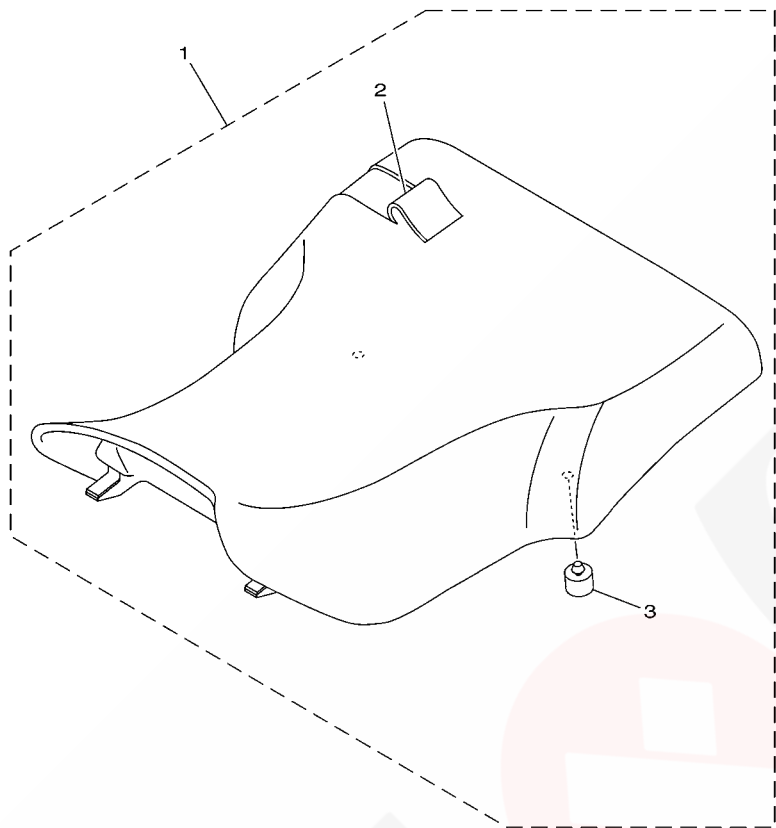
FIG. 31 FUEL TANK



5KMH100-C311

REF. NO.	PART NO.	DESCRIPTION	USA	EUR	OCE	JPN	REMARKS
28	5KM-2416F-00	INSULATOR, FUEL TANK 1	1	1	1	1	

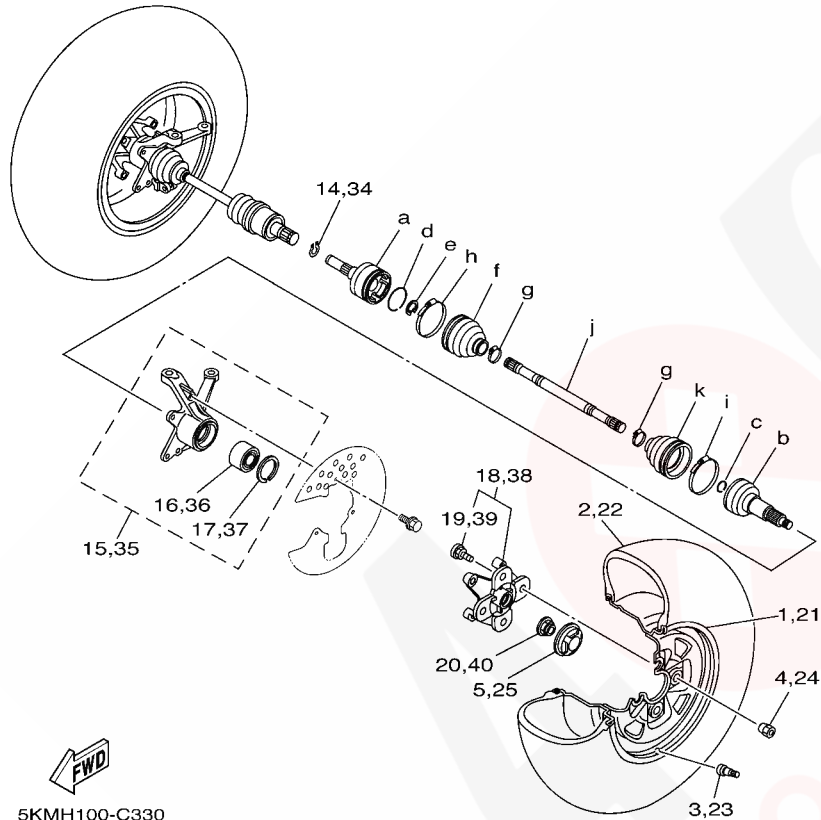
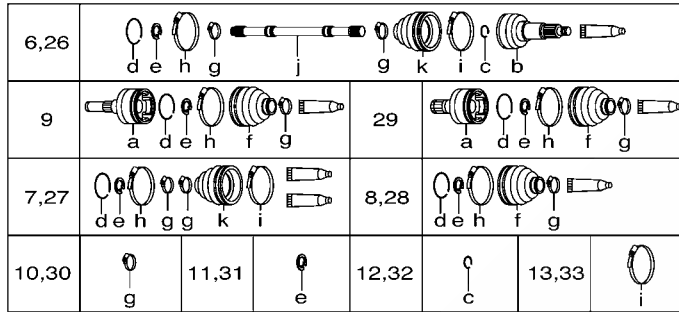
FIG. 32 SEAT



REF. NO.	PART NO.	DESCRIPTION	USA	EUR	OCE	JPN	REMARKS
1	5KM-24710-00	SINGLE SEAT ASSY (YB)	1	1		1	
	5KM-24710-10	SINGLE SEAT ASSY (LGG)			1		
2	5KM-24731-00	.COVER, SEAT (YB)	1	1		1	
	5KM-24731-10	.COVER, SEAT (LGG)			1		
3	371-27114-00	.STOPPER, MAIN STAND	2	2	2	2	



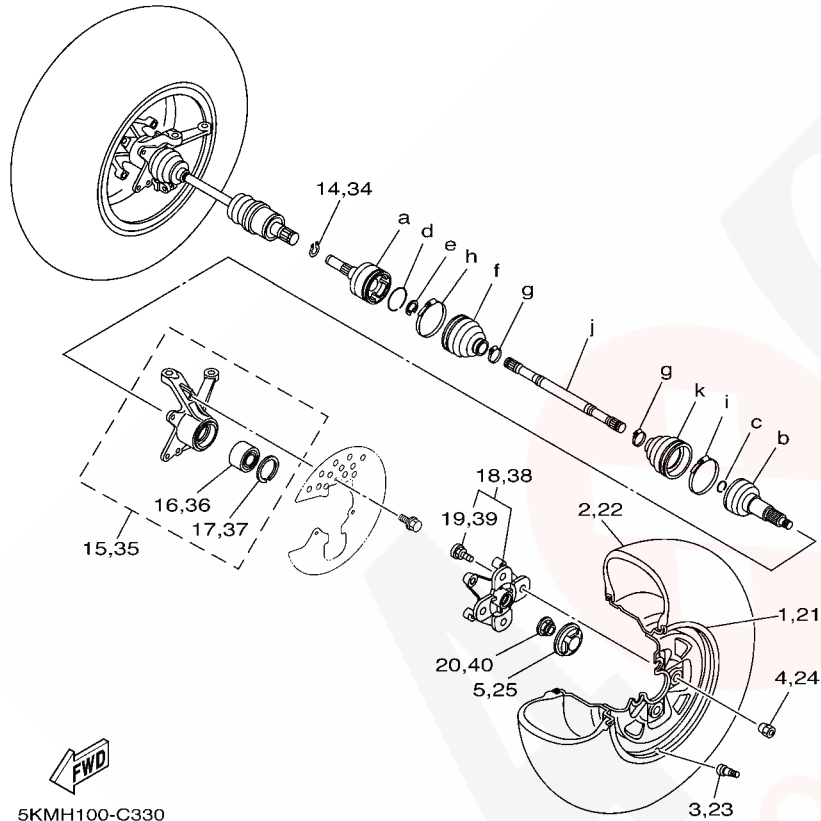
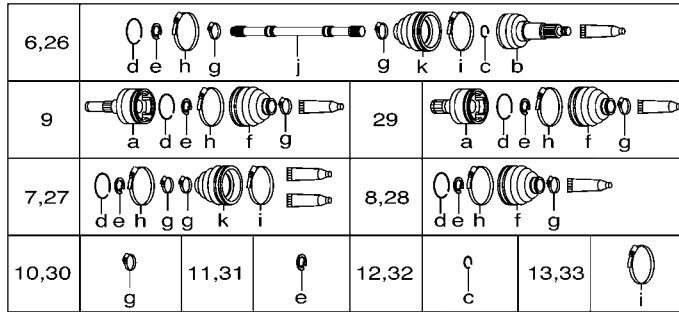
5KM1100-2320



5KMH100-C330

FIG. 33 FRONT WHEEL

REF. NO.	PART NO.	DESCRIPTION	USA	EUR	OCE	JPN	REMARKS
1	5KM-25180-42	WHEEL COMP.	1	1	1	1	
2	94108-12009	TIRE (AT 25X8-12** KT131 T/L)	1	1		1	DUNLOP
	94108-12008	TIRE(AT25X8-12,C828 4P/TL)				1	CHENG SHIN
3	93900-00030	VALVE, RIM (TR412)	1	1	1	1	TAIHEIYO
4	90179-10007	NUT	4	4	4	4	
5	5KM-2512A-00	CAP, WHEEL	1	1	1	1	
6	5KM-2510F-11	BALL JOINT SET	1	1	1	1	
7	5KM-2510G-11	BOOT SET (BALL JOINT)	1	1	1	1	
8	5KM-2510H-10	BOOT SET (DOUBLE OFFSET JOINT)	1	1	1	1	
9	5KM-2510J-30	DOUBLE OFF SET JOINT	1	1	1	1	LH
10	3HN-2512G-01	BOOT BAND (SMALL)	2	2	2	2	
11	2HR-2512J-00	SNAP RING	1	1	1	1	
12	4KB-2512H-00	CIRCLIP	1	1	1	1	
13	3HN-2511G-01	BOOT BAND (BALL JOINT)	1	1	1	1	
14	5KM-45531-10	CLIP, DRIVE SHAFT	1	1	1	1	
15	5KM-23501-10	STEERING KNUCKLE ASSY (LEFT)	1	1	1	1	
16	93305-00601	.BEARING	1	1	1	1	
17	99009-55500	.CIRCLIP	1	1	1	1	
18	5KM-25111-10	HUB, FRONT	1	1	1	1	
19	90114-10010	.BOLT, SERRATION	4	4	4	4	
20	90179-20006	NUT	1	1	1	1	
21	5KM-25180-42	WHEEL COMP.	1	1	1	1	
22	94108-12009	TIRE (AT 25X8-12** KT131 T/L)	1	1		1	DUNLOP
	94108-12008	TIRE(AT25X8-12,C828 4P/TL)				1	CHENG SHIN
23	93900-00030	VALVE, RIM (TR412)	1	1	1	1	TAIHEIYO
24	90179-10007	NUT	4	4	4	4	
25	5KM-2512A-00	CAP, WHEEL	1	1	1	1	

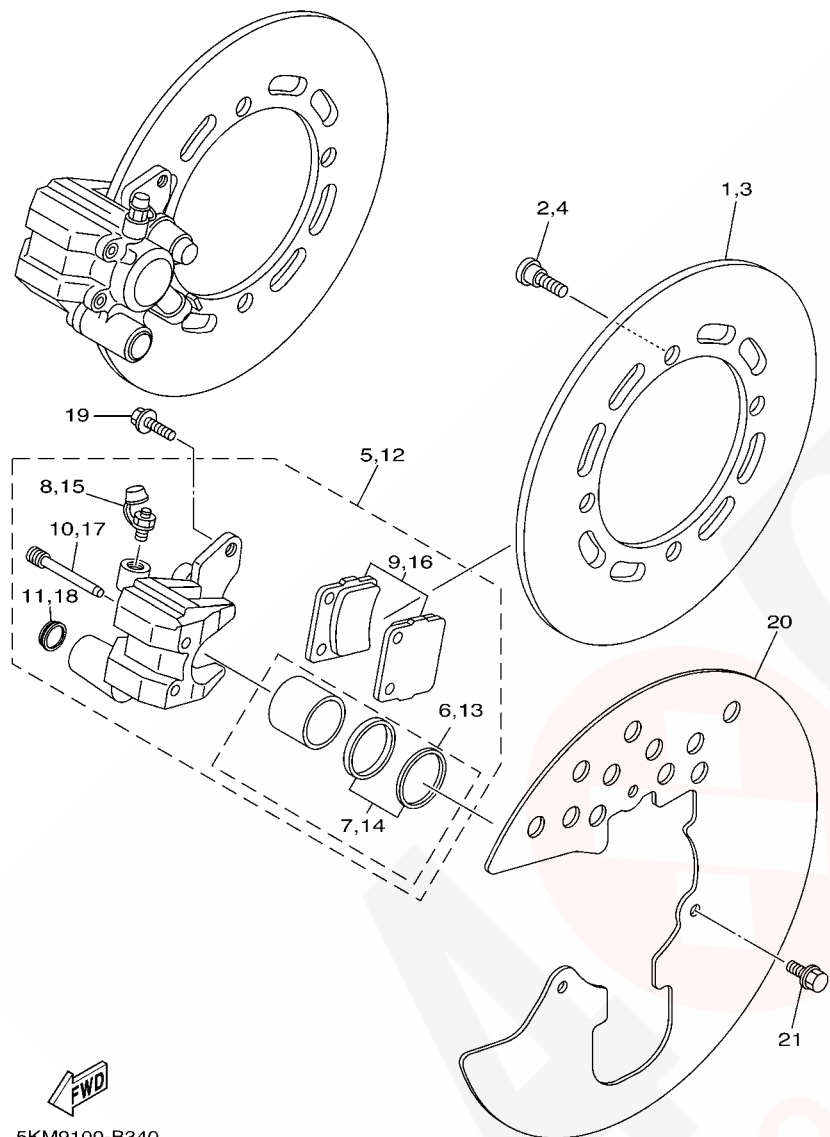


5KMH100-C330

FIG. 33 FRONT WHEEL

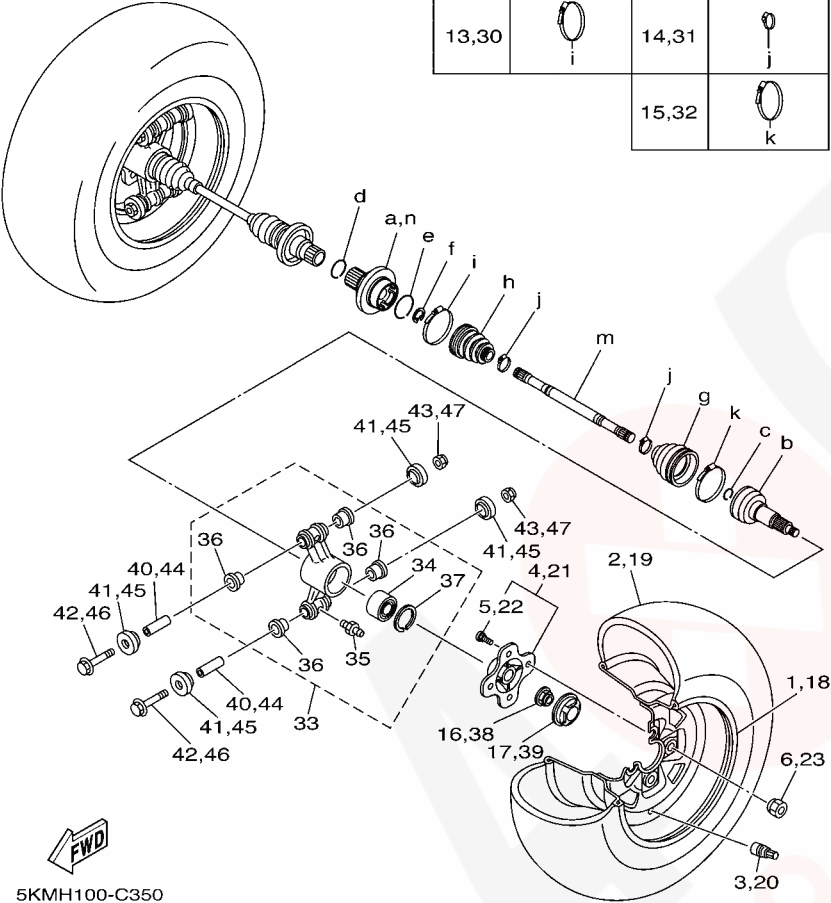
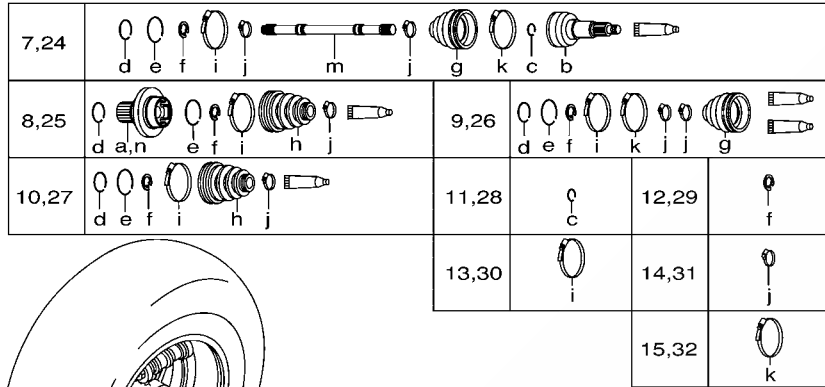
REF. NO.	PART NO.	DESCRIPTION	USA	EUR	OCE	JPN	REMARKS
26	5KM-2510F-11	BALL JOINT SET	1	1	1	1	
27	5KM-2510G-11	BOOT SET (BALL JOINT)	1	1	1	1	
28	5KM-2510H-10	BOOT SET (DOUBLE OFFSET JOINT)	1	1	1	1	
29	5KM-2510J-20	DOUBLE OFF SET JOINT	1	1	1	1	RH
30	3HN-2512G-01	BOOT BAND (SMALL)	2	2	2	2	
31	2HR-2512J-00	SNAP RING	1	1	1	1	
32	4KB-2512H-00	CIRCLIP	1	1	1	1	
33	3HN-2511G-01	BOOT BAND (BALL JOINT)	1	1	1	1	
34	93450-22119	CIRCLIP	1	1	1	1	
35	5KM-23502-10	STEERING KNUCKLE ASSY (RIGHT)	1	1	1	1	
36	93305-00601	.BEARING	1	1	1	1	
37	99009-55500	.CIRCLIP	1	1	1	1	
38	5KM-25111-10	HUB, FRONT	1	1	1	1	
39	90114-10010	.BOLT, SERRATION	4	4	4	4	
40	90179-20006	NUT	1	1	1	1	

FIG. 34 FRONT BRAKE CALIPER



5KM9100-B340

REF. NO.	PART NO.	DESCRIPTION	USA	EUR	OCE	JPN	REMARKS
1	5KM-2582T-10	DISC, BRAKE (LEFT)	1	1	1	1	
2	90109-08021	BOLT	4	4	4	4	
3	5KM-2582T-10	DISC, BRAKE (LEFT)	1	1	1	1	
4	90109-08021	BOLT	4	4	4	4	
5	4WV-2580T-10	CALIPER ASSY (LEFT)	1	1	1	1	
6	3GD-W0057-00	.PISTON ASSY, CALIPER	1	1	1	1	
7	3GD-W0047-00	..CALIPER SEAL KIT	1	1	1	1	
8	1UY-W0048-50	.BLEED SCREW KIT	1	1	1	1	
9	4WV-W0045-00	.BRAKE PAD KIT	1	1	1	1	
10	3GD-25933-00	.PIN, PAD	2	2	2	2	
11	3GD-25916-00	.PLUG	1	1	1	1	
12	4WV-2580U-10	CALIPER ASSY (RIGHT)	1	1	1	1	
13	3GD-W0057-00	.PISTON ASSY, CALIPER	1	1	1	1	
14	3GD-W0047-00	..CALIPER SEAL KIT	1	1	1	1	
15	1UY-W0048-50	.BLEED SCREW KIT	1	1	1	1	
16	4WV-W0045-00	.BRAKE PAD KIT	1	1	1	1	
17	3GD-25933-00	.PIN, PAD	2	2	2	2	
18	3GD-25916-00	.PLUG	1	1	1	1	
19	90105-08538	BOLT, FLANGE	4	4	4	4	
20	5KM-2514A-10	RING, WHEEL 1 (LEFT)	2	2	2	2	
21	90150-06021	SCREW, ROUND HEAD	6	6	6	6	

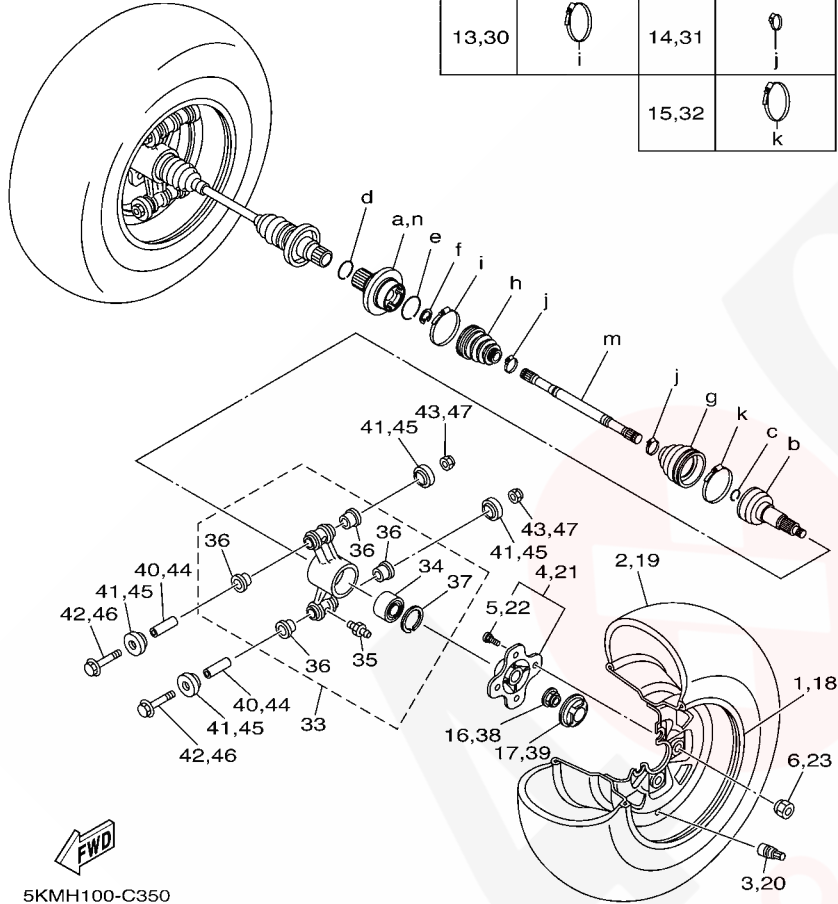
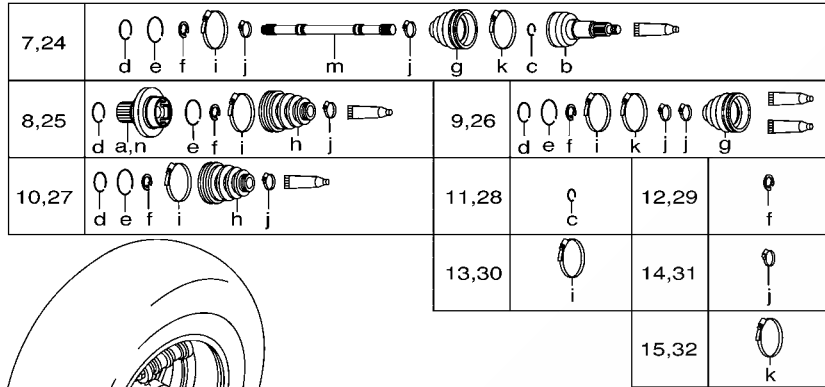


5KM-2530V-10

FIG. 35 REAR WHEEL

REF. NO.	PART NO.	DESCRIPTION	USA	EUR	OCE	JPN	REMARKS
1	5KM-25390-42	REAR WHEEL COMP.	1	1	1	1	
2	94110-12009	TIRE (AT 25X10-12** KT135 T/L)	1	1		1	DUNLOP
	94110-12008	TIRE(AT25X10-12,C828 4P/TL)				1	CHENG SHIN
3	93900-00030	VALVE, RIM (TR412)	1	1	1	1	TAIHEIYO
4	5KM-25311-10	HUB, REAR	1	1	1	1	
5	90114-10010	.BOLT, SERRATION	4	4	4	4	
6	90179-10007	NUT	4	4	4	4	
7	5KM-2530U-12	BALL JOINT SET	1	1	1	1	LH
8	5KM-2530W-10	DOUBLE OFF SET JOINT	1	1	1	1	LH
9	5KM-2530X-11	BOOT SET (BALL JOINT)	1	1	1	1	
10	5KM-2530Y-10	BOOT SET (DOUBLE OFFSET JOINT)	1	1	1	1	
11	4KB-2512H-00	CIRCLIP	1	1	1	1	
12	2HR-2512J-00	SNAP RING	1	1	1	1	
13	4KB-2511H-00	BOOT BAND (DOUBLE OFFSET JOINT)	1	1	1	1	
14	3HN-2512G-01	BOOT BAND (SMALL)	2	2	2	2	
15	3HN-2511G-01	BOOT BAND (BALL JOINT)	1	1	1	1	
16	90179-20006	NUT	1	1	1	1	
17	5KM-2512A-00	CAP, WHEEL	1	1	1	1	
18	5KM-25390-42	REAR WHEEL COMP.	1	1	1	1	
19	94110-12009	TIRE (AT 25X10-12** KT135 T/L)	1	1		1	DUNLOP
	94110-12008	TIRE(AT25X10-12,C828 4P/TL)				1	CHENG SHIN
20	93900-00030	VALVE, RIM (TR412)	1	1	1	1	TAIHEIYO
21	5KM-25311-10	HUB, REAR	1	1	1	1	
22	90114-10010	.BOLT, SERRATION	4	4	4	4	
23	90179-10007	NUT	4	4	4	4	
24	5KM-2530T-12	BALL JOINT SET	1	1	1	1	RH
25	5KM-2530V-10	DOUBLE OFF SET JOINT	1	1	1	1	RH

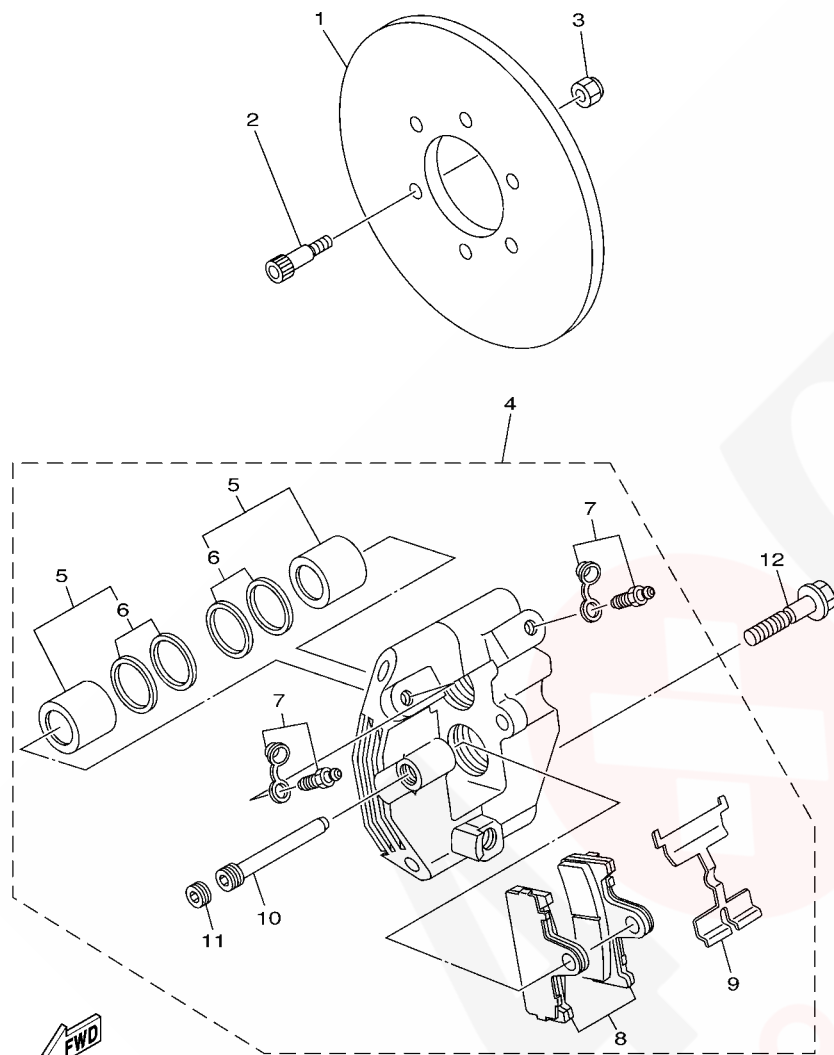
FIG. 35 REAR WHEEL



5KMH100-C350

REF. NO.	PART NO.	DESCRIPTION	USA	EUR	OCE	JPN	REMARKS
26	5KM-2530X-11	BOOT SET (BALL JOINT)	1	1	1	1	
27	5KM-2530Y-10	BOOT SET (DOUBLE OFFSET JOINT)	1	1	1	1	
28	4KB-2512H-00	CIRCLIP	1	1	1	1	
29	2HR-2512J-00	SNAP RING	1	1	1	1	
30	4KB-2511H-00	BOOT BAND (DOUBLE OFFSET JOINT)	1	1	1	1	
31	3HN-2512G-01	BOOT BAND (SMALL)	2	2	2	2	
32	3HN-2511G-01	BOOT BAND (BALL JOINT)	1	1	1	1	
33	5KM-2530F-10	REAR KNUCKLE ASSY	2	2	2	2	
34	93305-00601	.BEARING	1	1	1	1	
35	93700-06004	.NIPPLE, GREASE	2	2	2	2	
36	90381-17067	.BUSH, SOLID	4	4	4	4	
37	99009-55500	.CIRCLIP	1	1	1	1	
38	90179-20006	NUT	1	1	1	1	
39	5KM-2512A-00	CAP, WHEEL	1	1	1	1	
40	5KM-23448-00	SPACER	2	2	2	2	
41	2NL-23517-00	COVER, THRUST 1	4	4	4	4	
42	90105-10480	BOLT, FLANGE	2	2	2	2	
43	90185-10060	NUT, SELF-LOCKING	2	2	2	2	
44	5KM-23448-00	SPACER	2	2	2	2	
45	2NL-23517-00	COVER, THRUST 1	4	4	4	4	
46	90105-10480	BOLT, FLANGE	2	2	2	2	
47	90185-10060	NUT, SELF-LOCKING	2	2	2	2	

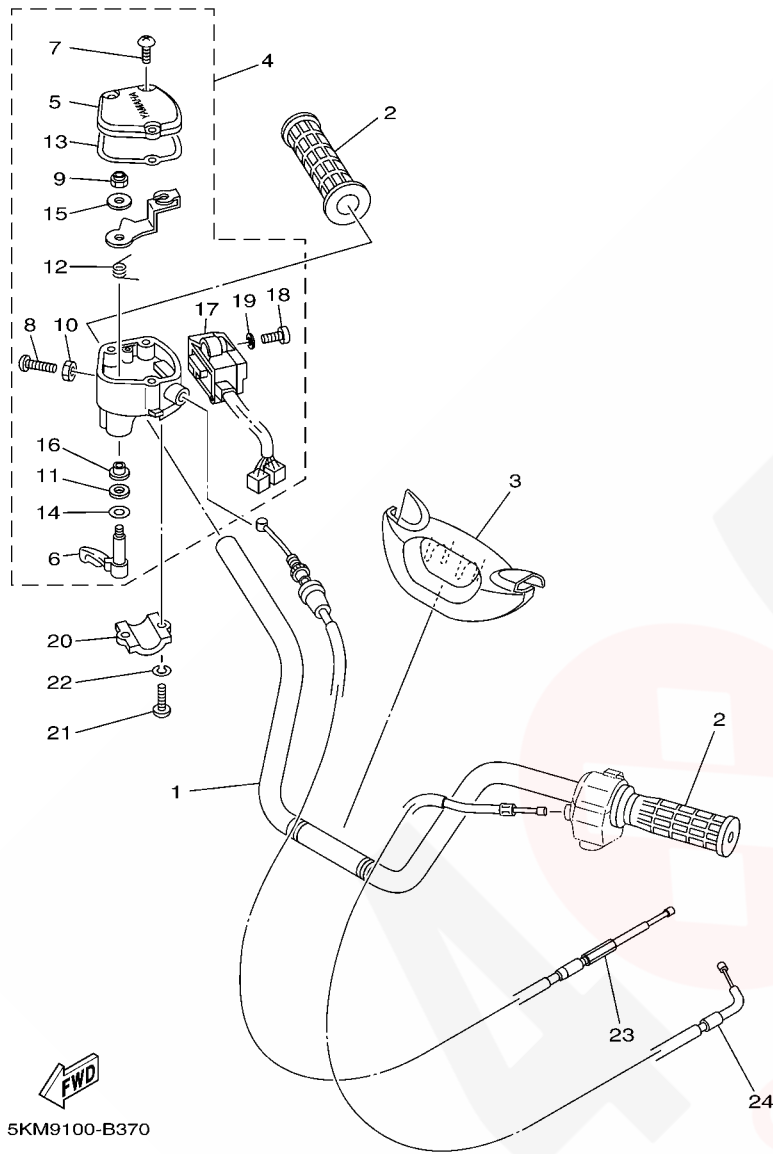
FIG. 36 REAR BRAKE CALIPER



5KM9100-B360

REF. NO.	PART NO.	DESCRIPTION	USA	EUR	OCE	JPN	REMARKS
1	5KM-2582V-00	DISC, REAR BRAKE 1	1	1	1	1	
2	90109-06038	BOLT	6	6	6	6	
3	95617-06100	NUT, U	6	6	6	6	
4	5KM-2580V-00	CALIPER ASSY, REAR 1	1	1	1	1	
5	5KM-W0057-00	.PISTON ASSY, CALIPER	4	4	4	4	
6	5KM-W0047-00	..CALIPER SEAL KIT	1	1	1	1	
7	1UY-W0048-50	.BLEED SCREW KIT	2	2	2	2	
8	5KM-W0046-00	.BRAKE PAD KIT 2	1	1	1	1	
9	5KM-25919-00	.SUPPORT, PAD	1	1	1	1	
10	8CR-25924-00	.PIN, PAD	1	1	1	1	
11	8CR-25926-00	.BOLT	1	1	1	1	
12	90105-10634	BOLT, FLANGE	2	2	2	2	

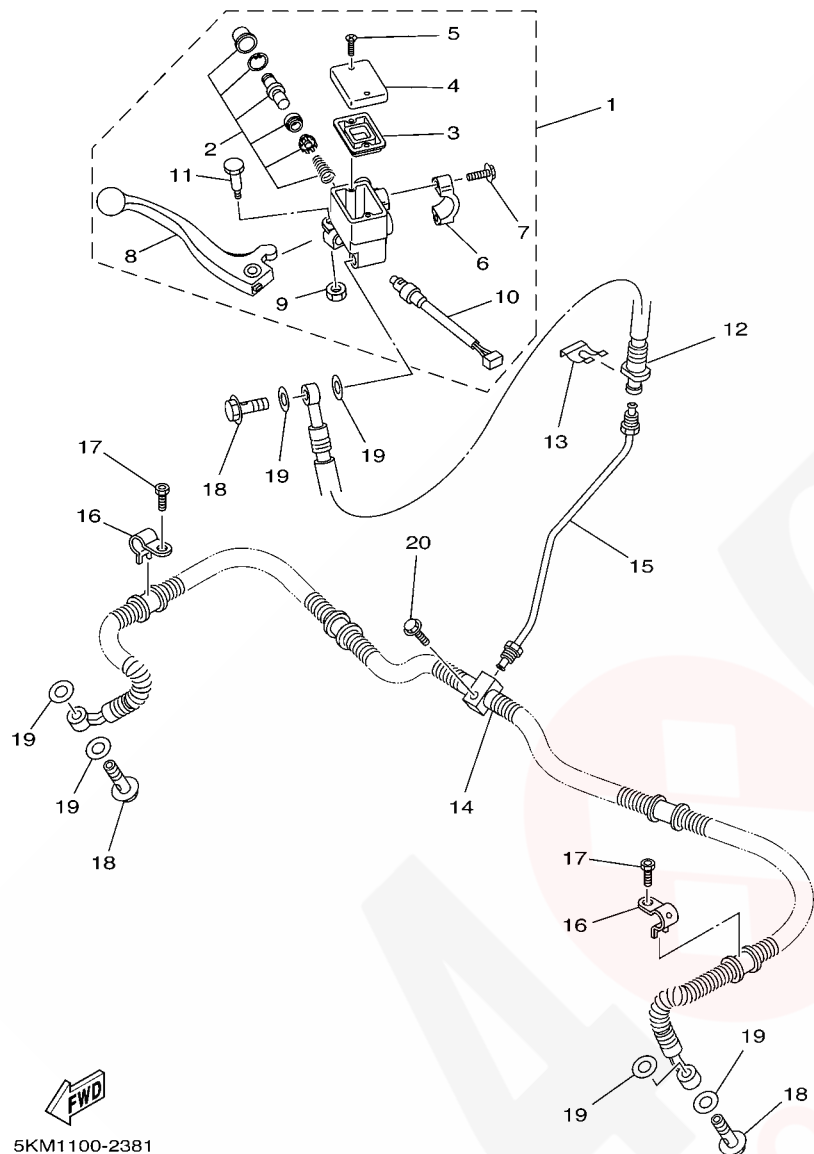
FIG. 37 STEERING HANDLE & CABLE



5KM9100-B370

REF. NO.	PART NO.	DESCRIPTION	USA	EUR	OC	JPN	REMARKS
1	5KM-26111-00	HANDLEBAR	1	1	1	1	
2	5LP-26241-00	GRIP	2	2	2	2	
3	5KM-26124-00	PROTECTOR, HANDLEBAR	1	1	1	1	
4	5KM-26250-00	THROTTLE LEVER ASSY	1	1	1	1	
5	4KB-2628F-10	.CAP, GEAR	1	1	1	1	
6	1NV-2625G-01	.LEVER, THROTTLE	1	1	1	1	
7	90149-04278	.SCREW	3	3	3	3	
8	98507-05020	.SCREW, PAN HEAD	1	1	1	1	
9	95607-05100	.NUT, U	1	1	1	1	
10	95307-05700	.NUT	1	1	1	1	
11	93104-09025	.OIL SEAL	1	1	1	1	
12	1NV-26304-00	.SPRING	1	1	1	1	
13	4KB-2628G-00	.GASKET	1	1	1	1	
14	1NV-26129-00	.WASHER	1	1	1	1	
15	1NV-26398-00	.WASHER	1	1	1	1	
16	1NV-2625K-00	.COLLAR	1	1	1	1	
17	5KM-83976-00	.SWITCH, HANDLE 1	1	1	1	1	
18	98507-04016	.SCREW, PAN HEAD	2	2	2	2	
19	92907-04600	.WASHER	2	2	2	2	
20	4V4-82913-00	HOLDER, LEVER LOWER 1	1	1	1	1	
21	98507-05020	SCREW, PAN HEAD	2	2	2	2	
22	92907-05100	WASHER, SPRING	2	2	2	2	
23	5KM-26311-10	CABLE, THROTTLE 1	1	1	1	1	
24	5KM-26331-10	CABLE, STARTER 1	1	1	1	1	

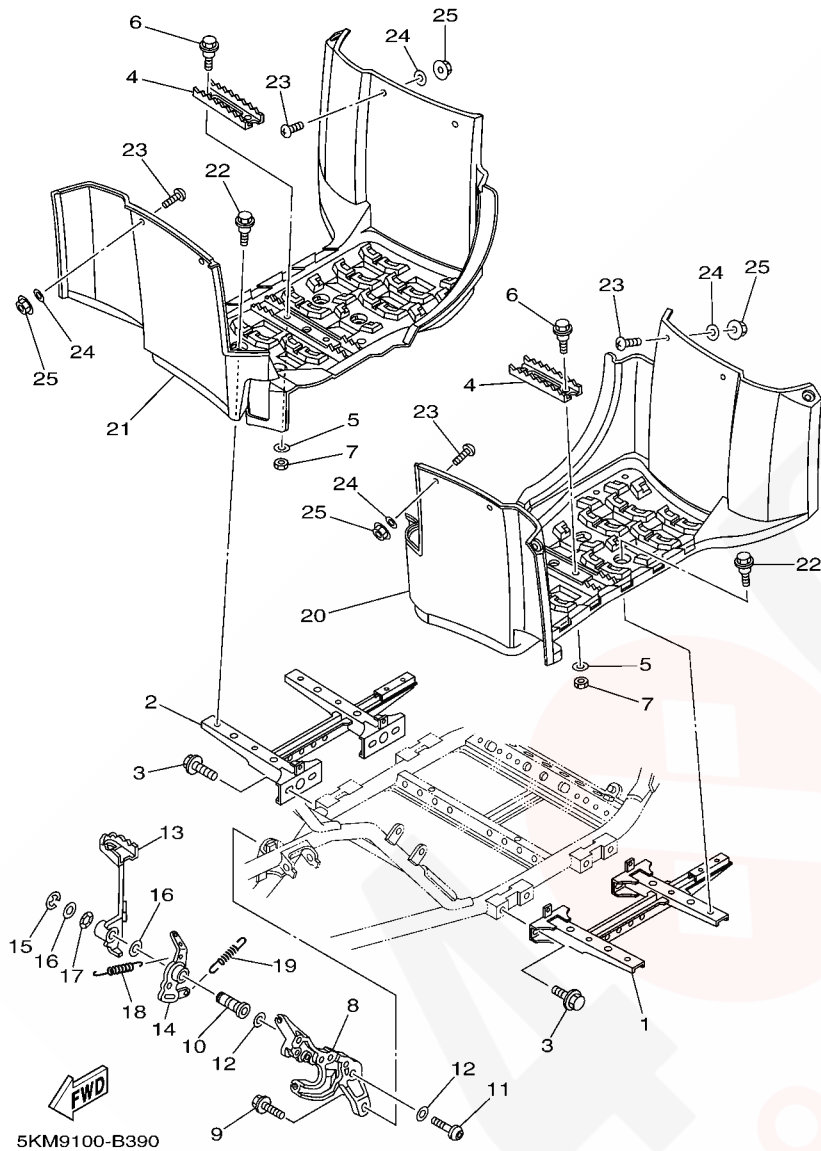
FIG. 38 FRONT MASTER CYLINDER



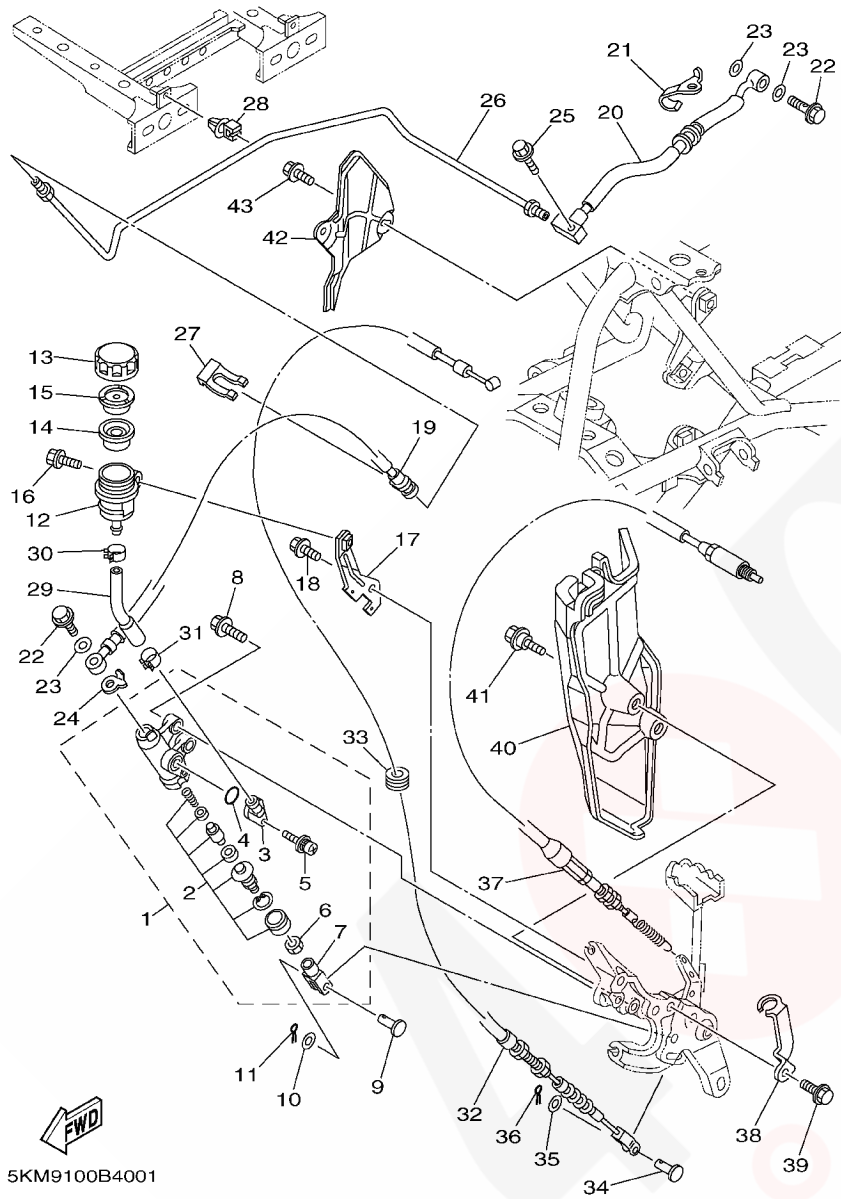
5KM1100-2381

REF. NO.	PART NO.	DESCRIPTION	USA	EUR	OCE	JPN	REMARKS
1	5KM-2583T-01	MASTER CYLINDER ASSY	1	1	1	1	
2	8CR-W0041-00	.CYLINDER KIT, MASTER	1	1	1	1	
3	4L0-25854-00	.DIAPHRAGM, RESERVOIR	1	1	1	1	
4	5JX-25852-01	.CAP, RESERVOIR	1	1	1	1	
5	98706-04012	.SCREW, FLAT HEAD	2	2	2	2	
6	5GH-25867-00	.BRACKET, MASTER CYLINDER	1	1	1	1	
7	5EB-26332-00	.BOLT	2	2	2	2	
8	5KM-83922-00	.LEVER 2	1	1	1	1	
9	95606-06100	.NUT, U	1	1	1	1	
10	5LP-83980-00	.FRONT STOP SWITCH ASSY	1	1	1	1	
11	1FK-2589F-00	.BOLT, LEVER	1	1	1	1	
12	5KM-25872-00	HOSE, BRAKE 1	1	1	1	1	
13	2GU-25866-00	CIRCLIP	1	1	1	1	
14	5KM-25873-10	HOSE, BRAKE 2	1	1	1	1	
15	5KM-25871-00	PIPE, BRAKE	1	1	1	1	
16	5KM-25875-00	HOLDER, BRAKE HOSE 1	2	2	2	2	
17	91317-06010	BOLT	2	2	2	2	
18	90401-10159	BOLT, UNION	3	3	3	3	
19	90201-10118	WASHER, PLATE	6	6	6	6	
20	95827-06025	BOLT, FLANGE	1	1	1	1	

FIG. 39 STAND & FOOTREST



REF. NO.	PART NO.	DESCRIPTION	USA	EUR	OCE	JPN	REMARKS
1	5KM-27481-10	BOARD, FOOTREST	1	1	1	1	
2	5KM-27488-10	BOARD, FOOTREST 2	1	1	1	1	
3	95817-08012	BOLT, FLANGE	8	8	8	8	
4	5GH-2741A-00	ARM 1	2	2	2	2	
5	90201-06071	WASHER, PLATE	4	4	4	4	
6	90109-063F5	BOLT	4	4	4	4	
7	95317-06600	NUT	4	4	4	4	
8	5KM-27263-00	BRACKET 1	1	1	1	1	
9	95817-08025	BOLT, FLANGE	2	2	2	2	
10	5KM-27212-10	SHAFT, BRAKE PEDAL	1	1	1	1	
11	90149-08296	SCREW	1	1	1	1	
12	90201-08784	WASHER, PLATE	2	2	2	2	
13	5KM-27211-00	PEDAL, BRAKE	1	1	1	1	
14	5KM-27252-00	LEVER, BRAKE PEDAL	1	1	1	1	
15	99001-10600	CIRCLIP	1	1	1	1	
16	90201-144J2	WASHER, PLATE	2	2	2	2	
17	90206-14086	WASHER, WAVE	1	1	1	1	
18	90506-16318	SPRING, TENSION	1	1	1	1	
19	90506-12441	SPRING, TENSION	1	1	1	1	
20	5KM-27453-01	COVER 1	1	1	1	1	
21	5KM-27463-01	COVER 2	1	1	1	1	
22	90109-063F1	BOLT	8	8	8	8	
23	90149-06021	SCREW	12	12	12	12	
24	90201-06557	WASHER, PLATE	12	12	12	12	
25	95707-06300	NUT, FLANGE	12	12	12	12	

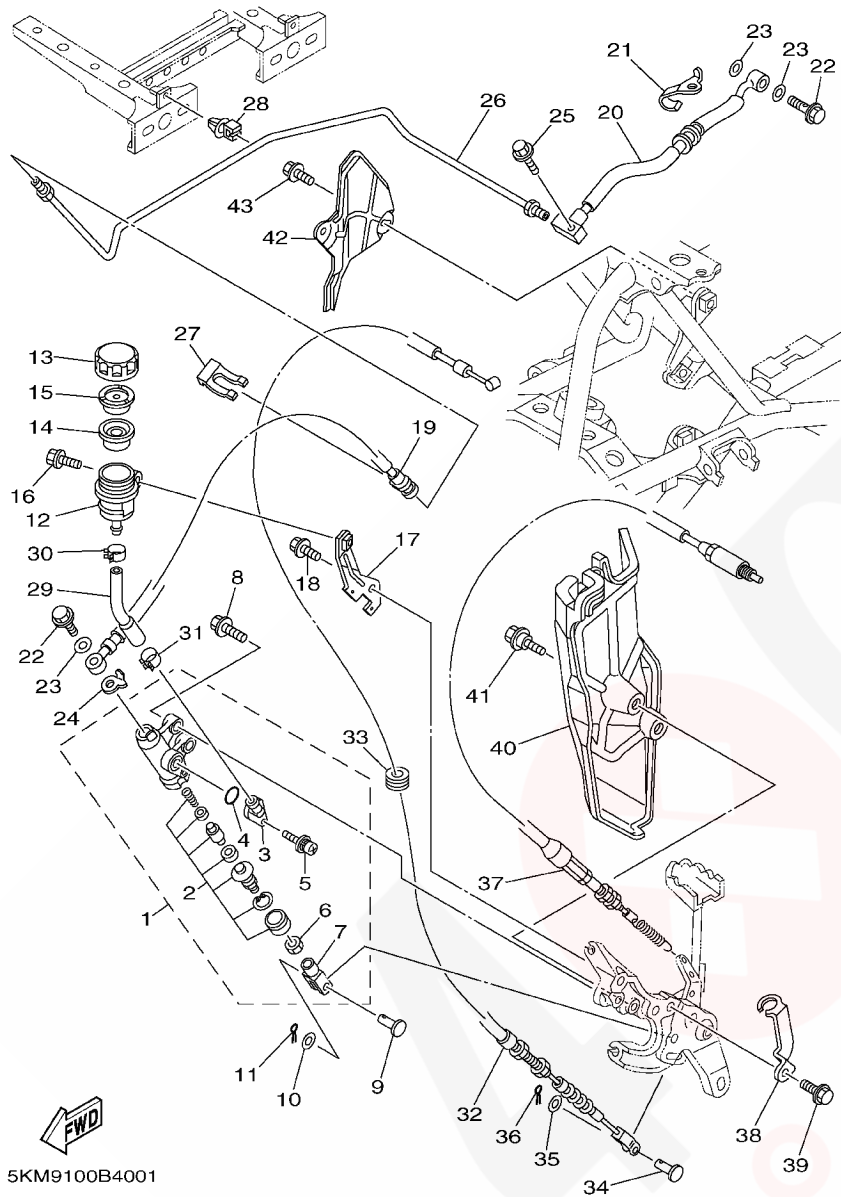


5KM9100B4001

FIG. 40 REAR MASTER CYLINDER

REF. NO.	PART NO.	DESCRIPTION	USA	EUR	OCE	JPN	REMARKS
1	5KM-2583V-00	RR. MASTER CYLINDER ASSY.	1	1	1	1	
2	5KM-W0042-50	.CYLINDER KIT, MASTER	1	1	1	1	
3	31A-2582A-50	.JOINT	1	1	1	1	
4	93210-15620	.O-RING	1	1	1	1	
5	3GM-2589H-00	.SCREW	1	1	1	1	
6	4SS-27218-00	.NUT	2	2	2	2	
7	2YK-27222-00	.JOINT	1	1	1	1	
8	95817-08025	BOLT, FLANGE	2	2	2	2	
9	90240-08013	PIN, CLEVIS	1	1	1	1	
10	90201-08083	WASHER, PLATE	1	1	1	1	
11	91401-16012	PIN, COTTER	1	1	1	1	
12	5JJ-25894-00	TANK, RESERVOIR	1	1	1	1	
13	3XP-25852-50	CAP, RESERVOIR	1	1	1	1	
14	2VN-25854-00	DIAPHRAGM, RESERVOIR	1	1	1	1	
15	2VN-25855-00	BUSH,DIAPHRAGM	1	1	1	1	
16	95827-06012	BOLT, FLANGE	1	1	1	1	
17	5KM-2133G-10	BRACKET, RESERVER	1	1	1	1	
18	95827-06008	BOLT, FLANGE	1	1	1	1	
19	5KM-25874-00	HOSE, BRAKE	1	1	1	1	
20	5KM-2581J-10	HOSE, BRAKE 4	1	1	1	1	
21	5KM-25886-00	HOLDER, BRAKE HOSE	1	1	1	1	
22	90401-10159	BOLT, UNION	2	2	2	2	
23	90201-10118	WASHER, PLATE	3	3	3	3	
24	5GH-25844-00	WASHER, LOCK	1	1	1	1	
25	95827-06025	BOLT, FLANGE	1	1	1	1	
26	5KM-25882-00	PIPE, BRAKE 2	1	1	1	1	
27	2GU-25866-00	CIRCLIP	1	1	1	1	

F6



5KM9100B4001

FIG. 40 REAR MASTER CYLINDER

REF. NO.	PART NO.	DESCRIPTION	USA	EUR	OCE	JPN	REMARKS
28	5KM-81677-00	CLAMP 1	3	3	3	3	
29	5LP-25895-00	HOSE, RESERVOIR	1	1	1	1	
30	90467-11044	CLIP	1	1	1	1	
31	90467-14057	CLIP	1	1	1	1	
32	5KM-26341-00	CABLE, BRAKE	1	1	1	1	
33	90480-18418	GROMMET	1	1	1	1	
34	90240-06076	PIN, CLEVIS	1	1	1	1	
35	90201-06042	WASHER, PLATE	1	1	1	1	
36	91401-20012	PIN, COTTER	1	1	1	1	
37	5KM-2637F-00	CABLE, CONTROL 2	1	1	1	1	
38	5KM-21441-00	BRACKET, STOP SWITCH	1	1	1	1	
39	95827-06008	BOLT, FLANGE	1	1	1	1	
40	5KM-27491-00	PROTECTOR	1	1	1	1	
41	90109-063F1	BOLT	2	2	2	2	
42	5KM-2117G-10	PROTECTOR	1	1	1	1	
43	95827-06008	BOLT, FLANGE	2	2	2	2	

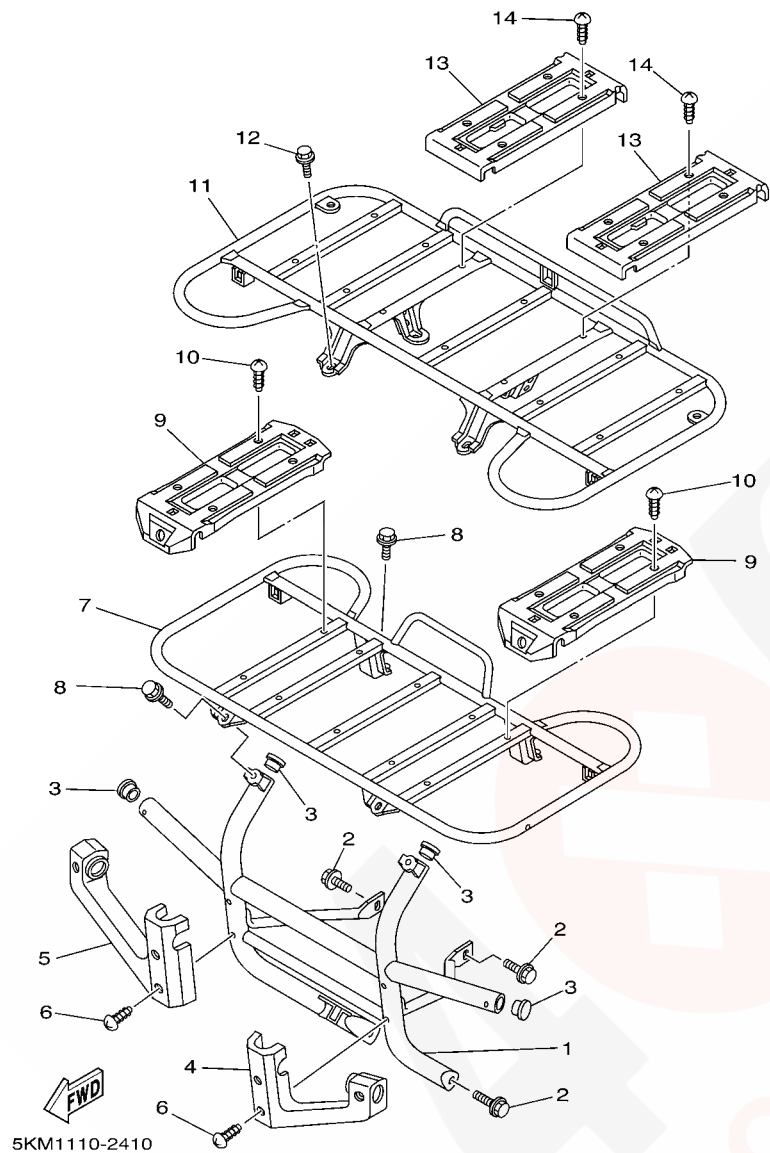
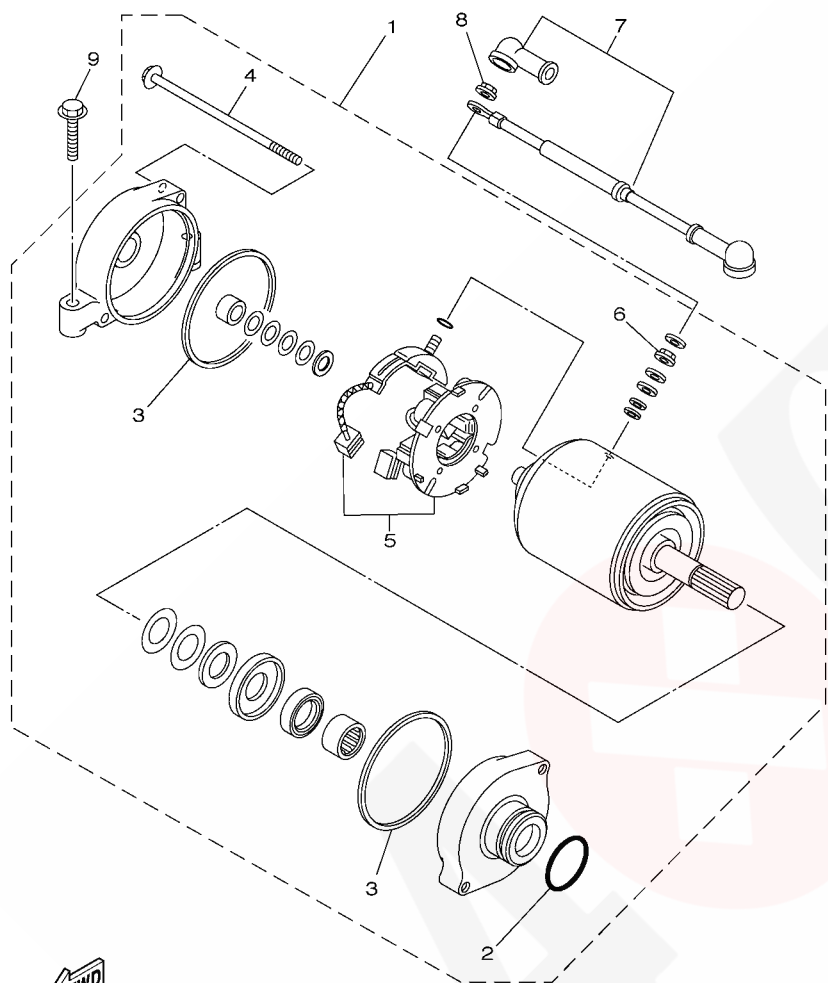


FIG. 41 GUARD

REF. NO.	PART NO.	DESCRIPTION	USA	EUR	OCE	JPN	REMARKS
1	5KM-2845N-00	BAR, CARRY FRONT	1	1	1	1	
2	95827-08012	BOLT, FLANGE	4	4	4	4	
3	5KM-2482H-00	CAP	4	4	4	4	
4	5KM-2842M-00	COVER 1	1	1	1	1	
5	5KM-2842N-00	COVER 2	1	1	1	1	
6	90167-05025	SCREW, TAPPING	6	6	6	6	
7	5KM-24841-10	CARRIER, FRONT	1	1	1	1	
8	95827-08012	BOLT, FLANGE	4	4	4	4	
9	5KM-24845-00	COVER 1	2	2	2	2	
10	97707-50016	SCREW, TAPPING	8	8	8	8	
11	5KM-24842-20	CARRIER, REAR	1	1	1	1	
12	95827-08014	BOLT, FLANGE	4	4	4	4	
13	5KM-24846-00	COVER 2	2	2	2	2	
14	97707-50016	SCREW, TAPPING	8	8	8	8	

FIG. 43 STARTING MOTOR

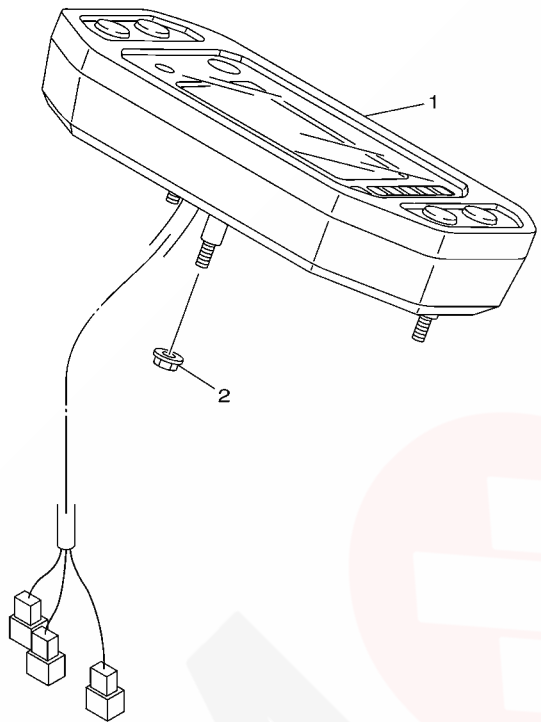


REF. NO.	PART NO.	DESCRIPTION	USA	EUR	OCE	JPN	REMARKS
1	5KM-81890-00	MOTOR ASSY	1	1	1	1	
2	1FK-81847-00	.O-RING	1	1	1	1	
3	11H-81844-00	.GASKET	2	2	2	2	
4	3AJ-81826-00	.BOLT	2	2	2	2	
5	3AJ-81801-00	.BRUSH SET	1	1	1	1	
6	4XV-8182A-00	.NUT	1	1	1	1	
7	5KM-81815-00	CORD, STARTER MOTOR	1	1	1	1	
8	4XV-8182A-00	NUT	1	1	1	1	
9	95027-06030	BOLT, FLANGE	2	2	2	2	


5ND6100-C440

FIG. 44 METER

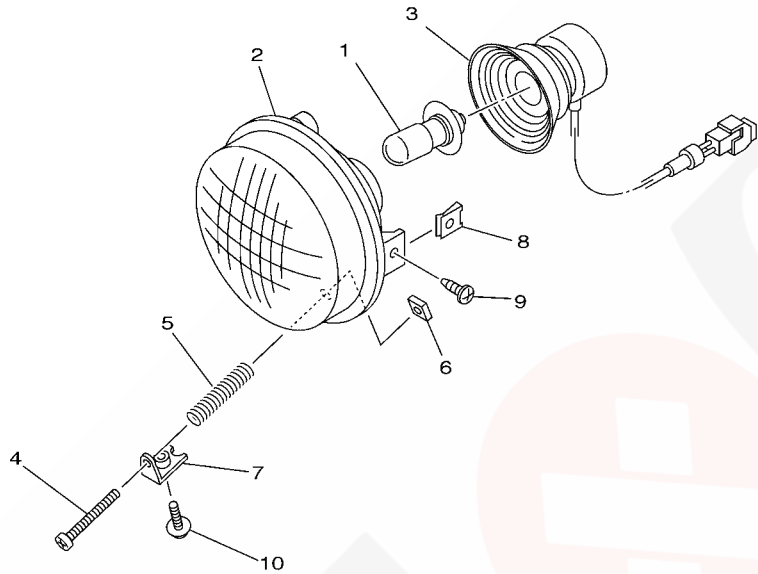
REF. NO.	PART NO.	DESCRIPTION	USA	EUR	OCE	JPN	REMARKS
1	5KM-83500-40	SPEEDOMETER ASSY	1	1			MILE/H
	5KM-83500-50	SPEEDOMETER ASSY		1	1	1	KM/H
2	95707-05500	NUT, FLANGE	3	3	3	3	



 5KM9100-B440

FIG. 45 HEADLIGHT

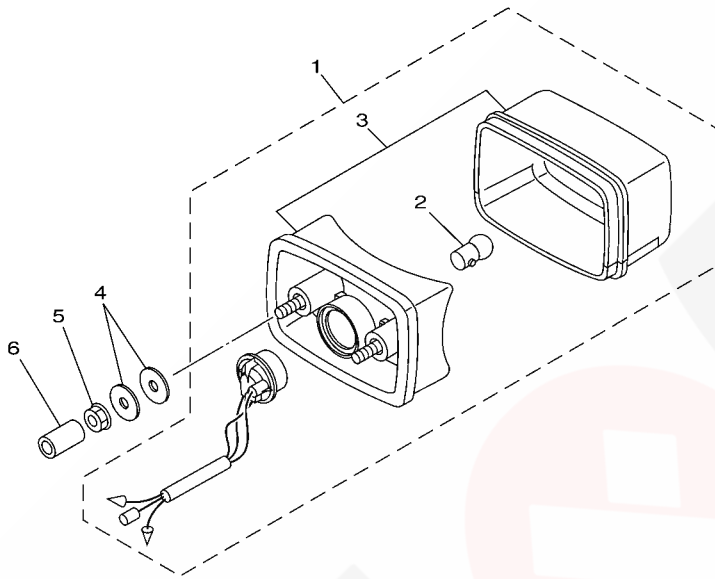
REF. NO.	PART NO.	DESCRIPTION	USA	EUR	OCE	JPN	REMARKS
1	4KB-84314-01	BULB (12V-30/30W)	2	2	2	2	
2	5KM-84320-00	LENS ASSY	2	2	2	2	
3	5EH-84340-00	SOCKET CORD ASSY 1	2	2	2	2	
4	98507-03540	SCREW, PAN HEAD	2	2	2	2	
5	2GU-84332-00	SPRING, SCREW	2	2	2	2	
6	2GU-84334-00	NUT, ADJUSTING	2	2	2	2	
7	5KM-84703-00	BRACKET	2	2	2	2	
8	90183-05008	NUT, SPRING	4	4	4	4	
9	90154-05004	SCREW, BINDING	4	4	4	4	
10	90159-05022	SCREW, WITH WASHER	2	2	2	2	



5KM1100-2450

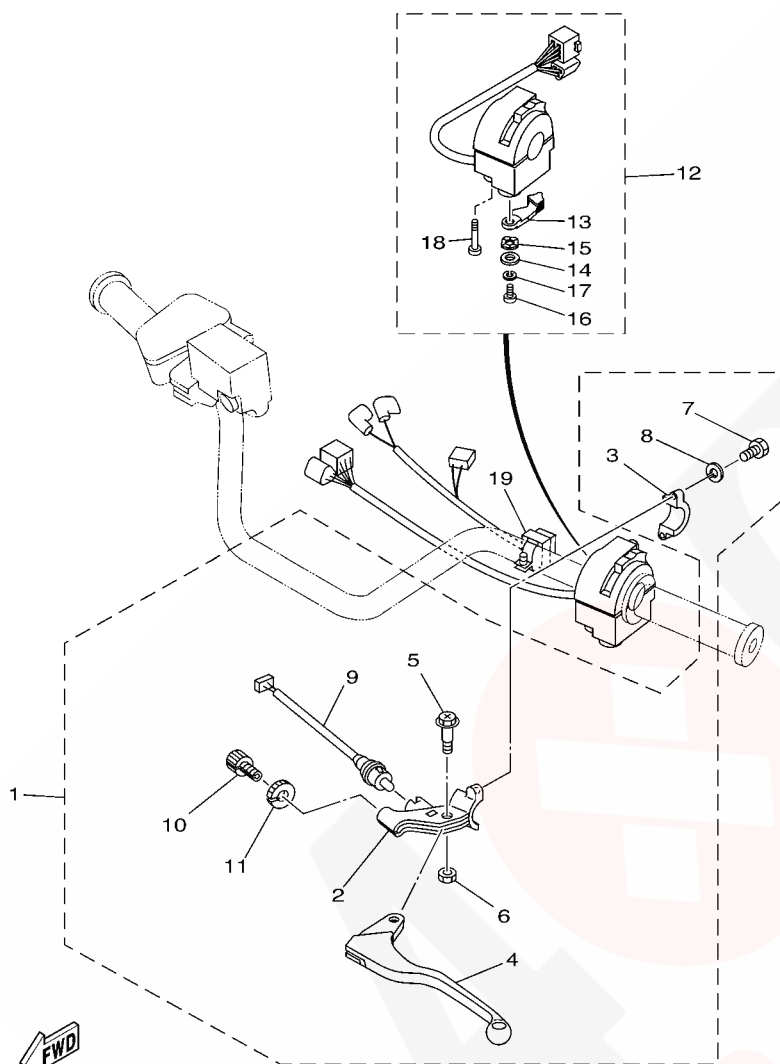
FIG. 46 TAILLIGHT

REF. NO.	PART NO.	DESCRIPTION	USA	EUR	OCE	JPN	REMARKS
1	5KM-84710-00	TAILLIGHT UNIT ASSY	1	1	1	1	
2	1A2-84714-41	.BULB (12V-21/5W)	1	1	1	1	
3	5KM-8472C-10	.LENS, TAILLIGHT	1	1	1	1	
4	90201-06074	WASHER, PLATE	4	4	4	4	
5	95707-06300	NUT, FLANGE	2	2	2	2	
6	90445-09220	HOSE (L30)	2	2	2	2	



5KM1100-2461

FIG. 47 HANDLE SWITCH & LEVER



5KMH100-C481

REF. NO.	PART NO.	DESCRIPTION	USA	EUR	OCE	JPN	REMARKS
1	5KM-82910-01	LEVER HOLDER ASSY (LEFT)	1	1	1	1	
2	1YW-82911-02	.HOLDER, LEVER 1	1	1	1	1	
3	2XJ-82913-00	.HOLDER, LEVER LOWER 1	1	1	1	1	
4	23X-83912-00	.LEVER 1	1	1	1	1	
5	90109-06799	.BOLT	1	1	1	1	
6	95607-06100	.NUT, U	1	1	1	1	
7	98507-06020	.SCREW, PAN HEAD	2	2	2	2	
8	92907-06100	.WASHER, SPRING	2	2	2	2	
9	5KM-82917-00	.SWITCH	1	1	1	1	
10	90123-08046	.BOLT	1	1	1	1	
11	90179-08148	.NUT	1	1	1	1	
12	5KM-83972-00	SWITCH, HANDLE 4	1	1	1	1	
13	5KM-83941-00	.LEVER, STARTER	1	1	1	1	
14	1UY-83909-00	.WASHER, SPECIAL	1	1	1	1	
15	3L4-83943-00	.WASHER, STARTER	1	1	1	1	
16	98517-05012	.SCREW, PAN HEAD	1	1	1	1	
17	92907-05100	.WASHER, SPRING	1	1	1	1	
18	98507-05030	.SCREW, PAN HEAD	2	2	2	2	
19	4GB-83976-00	SWITCH, HANDLE 1		1	1		

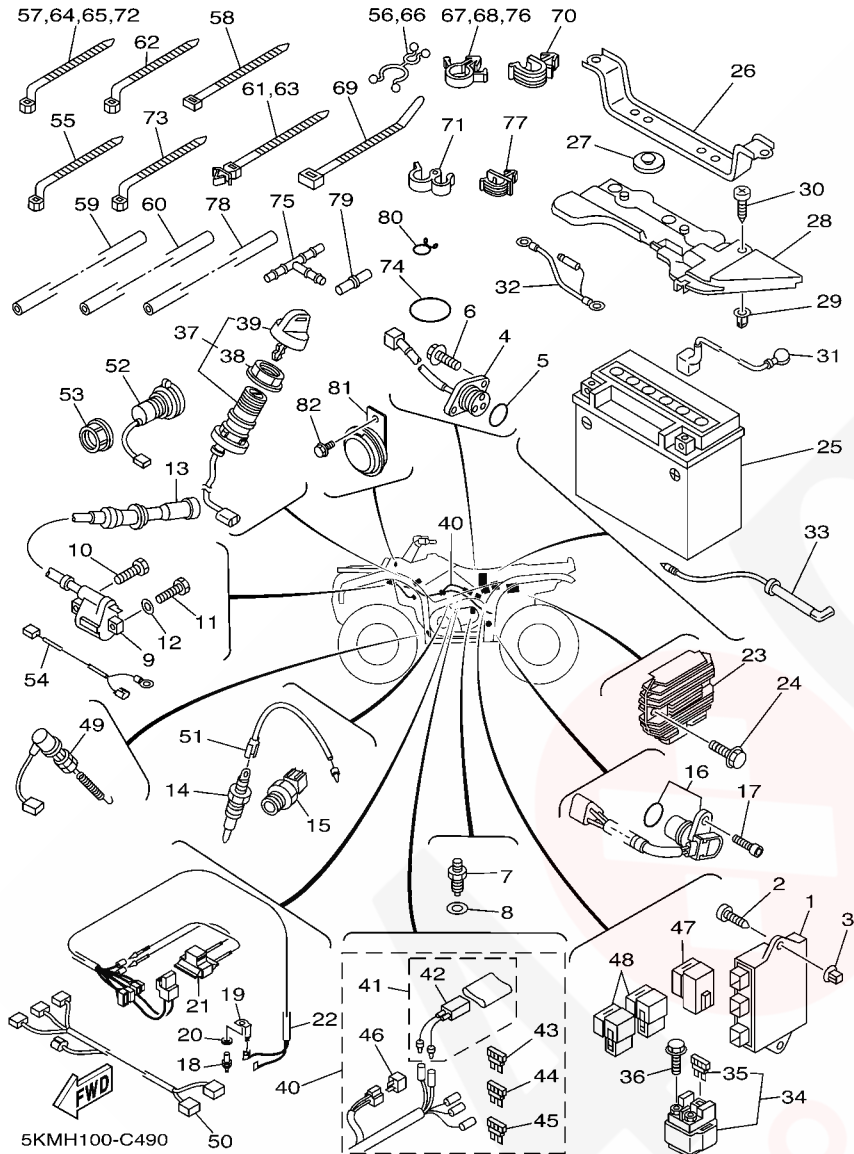


FIG. 48 ELECTRICAL 1

REF. NO.	PART NO.	DESCRIPTION	USA	EUR	OCE	JPN	REMARKS
1	5KM-85540-10	C.D.I. UNIT ASSY	1	1	1	1	
2	97707-60025	SCREW, TAPPING	1	1	1	1	
3	90338-08226	PLUG	1	1	1	1	
4	5KM-82540-00	NEUTRAL SWITCH ASSY	1	1	1	1	
5	93210-29196	O-RING	1	1	1	1	
6	90119-06044	BOLT, WITH WASHER	2	2	2	2	
7	3GB-82540-01	NEUTRAL SWITCH ASSY	1	1	1	1	
8	90430-10148	GASKET	1	1	1	1	
9	3KJ-82310-10	IGNITION COIL ASSY	1	1	1	1	
10	90109-06723	BOLT	1	1	1	1	
11	97007-06020	BOLT	1	1	1	1	
12	92907-06600	WASHER, PLATE	1	1	1	1	
13	3YF-82370-00	PLUG CAP ASSY	1	1	1	1	
14	5KM-82560-00	THERMO SWITCH ASSY	1	1	1	1	
15	5GM-82560-00	THERMO SWITCH ASSY	1	1	1	1	
16	5UG-83755-01	SENSOR, SPEED	1	1	1	1	
17	91317-06016	BOLT	1	1	1	1	
18	4TR-83790-00	HEATER ASSY (15W)		1	1		AP
19	5FU-82103-00	TERMINAL 1		1	1		AP
20	90201-08016	WASHER, PLATE		1	1		AP
21	1AJ-82560-01	THERMO SWITCH ASSY		1	1		AP
22	5HA-82509-00	WIRE, SUB LEAD		1	1		AP
23	5BN-81960-00	RECTIFIER & REGULATOR ASSY	1	1	1	1	
24	95807-06020	BOLT, FLANGE	1	1	1	1	
25	4SH-82100-22	BATTERY ASSY (YUASA YTX20L-BS)	1	1	1		
	90793-26092	BATTERY ASSY (YUASA YTX20L-BS)				1	
26	5KM-82128-00	BRACKET, BATTERY	1	1	1	1	

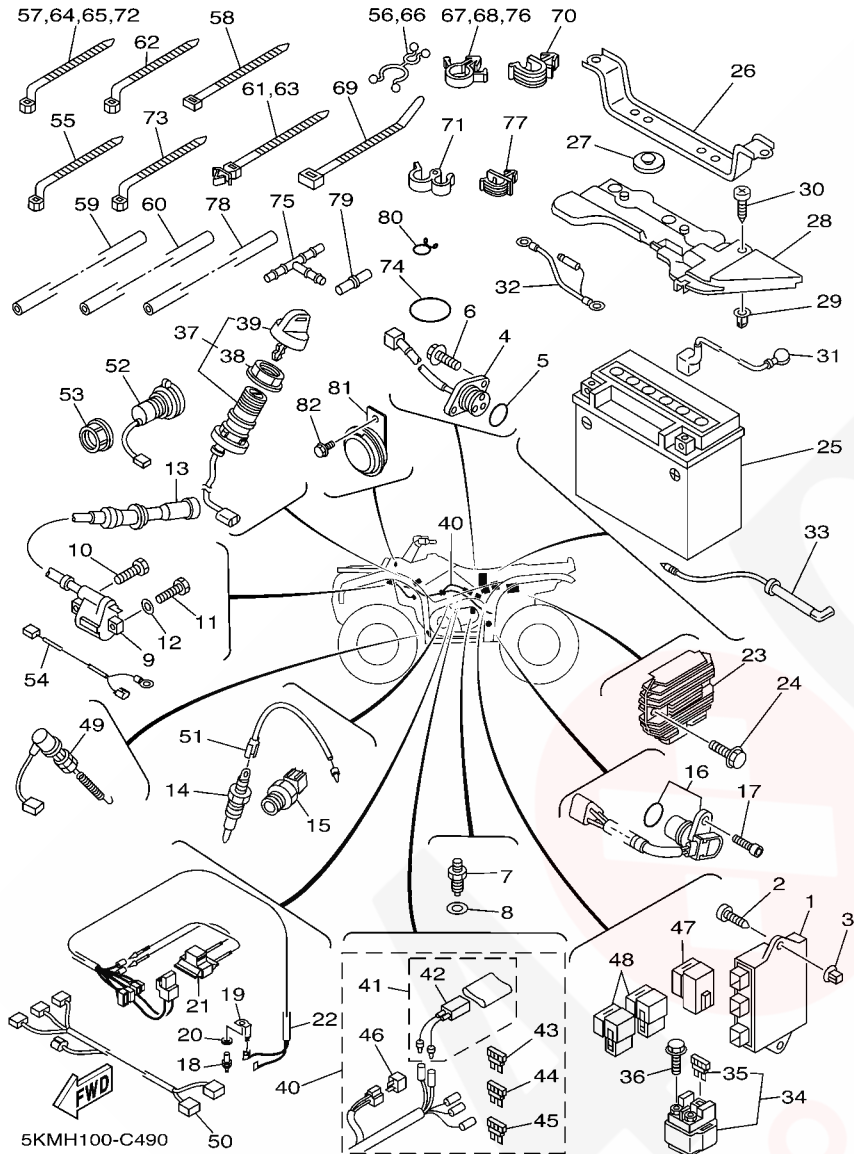


FIG. 48 ELECTRICAL 1

REF. NO.	PART NO.	DESCRIPTION	USA	EUR	OCE	JPN	REMARKS
27	371-82121-00	PAD, BATTERY	2	2	2	2	
28	5KM-82129-00	COVER, BATTERY	1	1	1	1	
29	90338-08226	PLUG	1	1	1	1	
30	97707-60016	SCREW, TAPPING	1	1	1	1	
31	5KM-82115-00	WIRE, PLUS LEAD	1	1	1	1	
32	5KM-82116-00	WIRE, MINUS LEAD	1	1	1	1	
33	5KM-82541-00	WIRE, LEAD	1	1	1	1	
34	4SV-81940-10	STARTER RELAY ASSY	1	1	1	1	
35	1AE-82151-00	.FUSE (30A-BL)	2	2	2	2	
36	95027-06008	BOLT, FLANGE	2	2	2	2	
37	5KM-82510-00	MAIN SWITCH ASSY	1	1	1	1	
38	3HN-82569-00	.NUT, MAIN SWITCH	1	1	1	1	
39	3HN-82579-00	.CAP, KEY	1	1	1	1	
40	5KM-82590-20	WIRE HARNESS ASSY	1			1	
	5KM-82590-30	WIRE HARNESS ASSY		1	1		
41	5GT-82180-00	.CIRCUIT BREAKER ASSY	1	1	1	1	
42	5GT-82560-00	.THERMO SWITCH ASSY	1	1	1	1	
43	5JJ-82151-10	.FUSE (15A-BL)	2	2	2	2	
44	5JJ-82151-30	.FUSE (10A-BL)	5	5	5	5	
45	5JJ-82151-50	.FUSE (3A-BL)	2	2	2	2	
46	3WP-81980-00	.DIODE ASSY	1	1	1	1	
47	29U-81950-93	RELAY ASSY	1	1	1	1	
48	5DM-81950-00	RELAY ASSY (G8HN-1C4T-DJ-Y52)	2	2	2	2	
49	5KM-82530-00	STOP SWITCH ASSY	1	1	1	1	
50	5KM-82309-00	WIRE, SUB LEAD	1	1	1	1	
51	5KM-82507-00	WIRE, LEAD	1	1	1	1	
52	5GH-8254B-00	TERMINAL COMP.	1	1	1	1	



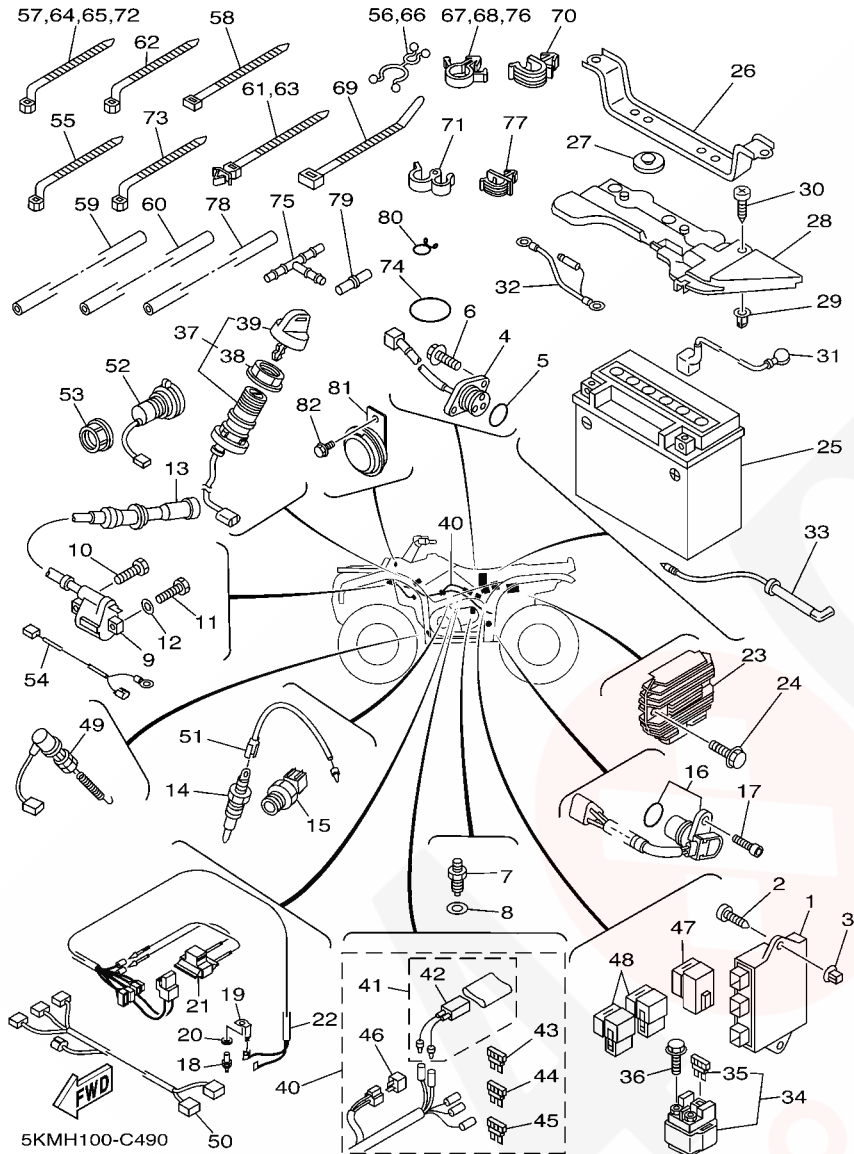


FIG. 48 ELECTRICAL 1

REF. NO.	PART NO.	DESCRIPTION	USA	EUR	OCE	JPN	REMARKS
53	5GH-82114-00	NUT	1	1	1	1	
54	5KM-82509-00	WIRE, SUB LEAD	1	1	1	1	
55	90464-12045	CLAMP	2	2	2	2	
56	90464-35047	CLAMP	1	1	1	1	
57	90464-15195	CLAMP	1	1	1	1	
58	437-83936-01	BAND, SWITCH CORD	4	4	4	4	
59	90445-07371	HOSE (L700)	1	1	1	1	
60	90445-07176	HOSE (L200)	1	1	1	1	
61	90464-12089	CLAMP	1	1	1	1	
62	90460-15126	CLAMP, HOSE	1	1	1	1	
63	90464-12089	CLAMP	2	2	2	2	
64	90464-15195	CLAMP	1	1	1	1	
65	90464-15195	CLAMP	1	1	1	1	
66	90464-35047	CLAMP	1	1	1	1	
67	90464-15157	CLAMP	1	1	1	1	
68	90464-15157	CLAMP	1	1	1	1	
69	90465-10098	CLAMP	1	1	1	1	
70	90464-14M55	CLAMP	1	1	1	1	
71	90468-15139	CLIP	1	1	1	1	
72	90464-15195	CLAMP	1	1	1	1	
73	90464-13073	CLAMP	1	1	1	1	
74	93210-975A9	O-RING	1	1	1	1	
75	90413-05014	WAY 3	1	1	1	1	
76	90464-15157	CLAMP	1	1	1	1	
77	90464-07001	CLAMP	1	1	1	1	
78	90446-09155	HOSE (L970)	1	1	1	1	
79	5KM-82109-00	JOINT, HOSE	2	2	2	2	



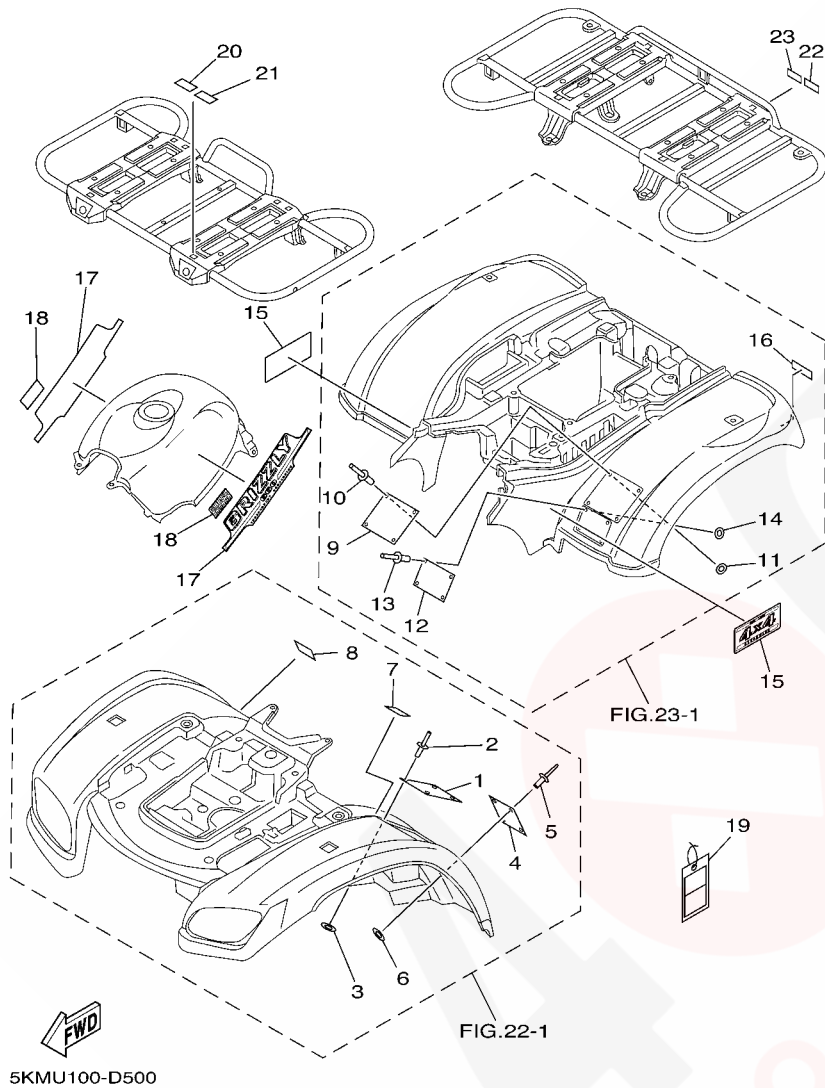


FIG. 50 EMBLEM & LABEL 1

REF. NO.	PART NO.	DESCRIPTION	USA	EUR	OCE	JPN	REMARKS
1	5FE-21568-01	LABEL, WARNING	1				ENGLISH
2	90267-32004	RIVET, BLIND	6				
3	90201-03313	WASHER, PLATE	6				
4	5FE-21697-01	LABEL, CAUTION 2	1				ENGLISH
5	90267-32004	RIVET, BLIND	4				
6	90201-03313	WASHER, PLATE	4				
7	5GH-2151E-00	LABEL 2	1				ENGLISH
8	5KM-21558-00	LABEL, WARNING 2	1				ENGLISH
9	5KM-21696-00	LABEL, CAUTION	1				ENGLISH
10	90267-32004	RIVET, BLIND	4				
11	90201-03313	WASHER, PLATE	4				
12	5FE-2151H-01	LABEL 5	1				ENGLISH
13	90267-32004	RIVET, BLIND	4				
14	90201-03313	WASHER, PLATE	4				
15	5KM-2163G-F0	EMBLEM 1	2				UR FOR PDG
	5KM-2163G-G0	EMBLEM 1	2				UR FOR RTR
	5KM-2163G-H0	EMBLEM 1	2				UR FOR DPBSN
16	5KM-2151K-00	LABEL 7	1				ENGLISH
17	5KM-2173E-90	GRAPHIC 1	2				UR FOR PDG
	5KM-2173E-A0	GRAPHIC 1	2				UR FOR RTR
	5KM-2173E-B0	GRAPHIC 1	2				UR FOR DPBSN
18	3GD-2153E-20	EMBLEM, YAMAHA	2				
19	5KM-2819R-00	TAG, WARNING	1				
20	3MX-24875-A0	LABEL 1	1				ENGLISH
21	3GC-24877-A0	LABEL, CAUTION	1				ENGLISH
22	3MX-24875-A0	LABEL 1	1				ENGLISH
23	4WV-24877-A0	LABEL, CAUTION	1				ENGLISH

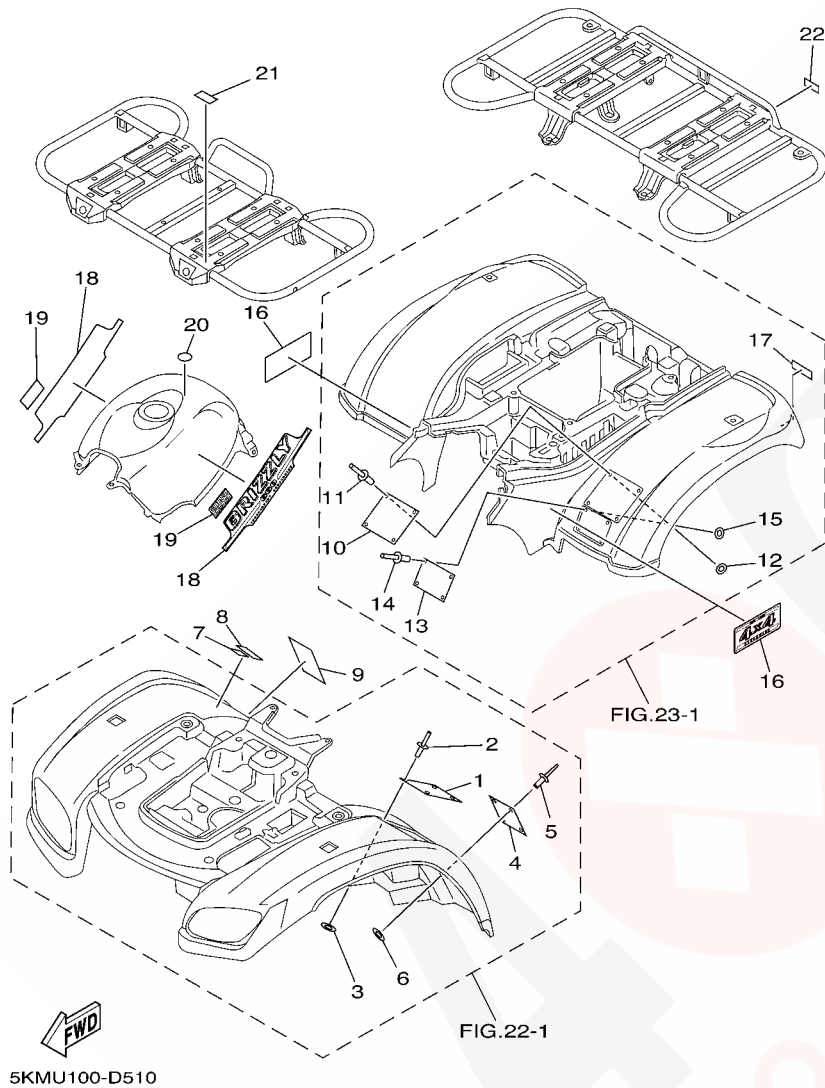


FIG. 51 EMBLEM & LABEL 2

REF. NO.	PART NO.	DESCRIPTION	USA	EUR	OCE	JPN	REMARKS
1	5FK-21568-00	LABEL, WARNING		1			
2	90267-32004	RIVET, BLIND		6			
3	90201-03313	WASHER, PLATE		6			
4	5FK-21697-00	LABEL, CAUTION 2		1			
5	90267-32004	RIVET, BLIND		4			
6	90201-03313	WASHER, PLATE		4			
7	4GB-2155A-00	MARK, EC		1			
8	5KM-2156A-01	PLATE, MD		1			
9	5KM-21558-20	LABEL, WARNING 2		1			
10	5KM-21696-M0	LABEL, CAUTION		1			
11	90267-32004	RIVET, BLIND		4			
12	90201-03313	WASHER, PLATE		4			
13	5FK-2151H-00	LABEL 5		1			
14	90267-32004	RIVET, BLIND		4			
15	90201-03313	WASHER, PLATE		4			
16	5KM-2163G-F0	EMBLEM 1		2			UR FOR PDG
	5KM-2163G-G0	EMBLEM 1		2			UR FOR RTR
17	5KM-2151K-00	LABEL 7		1			ENGLISH
18	5KM-2173E-90	GRAPHIC 1		2			UR FOR PDG
	5KM-2173E-A0	GRAPHIC 1		2			UR FOR RTR
19	3GD-2153E-20	EMBLEM, YAMAHA		2			
20	3ME-2415E-00	LABEL, CAUTION		1			GBR ONLY
21	3GC-24877-A0	LABEL, CAUTION		1			ENGLISH
22	4WV-24877-A0	LABEL, CAUTION		1			ENGLISH

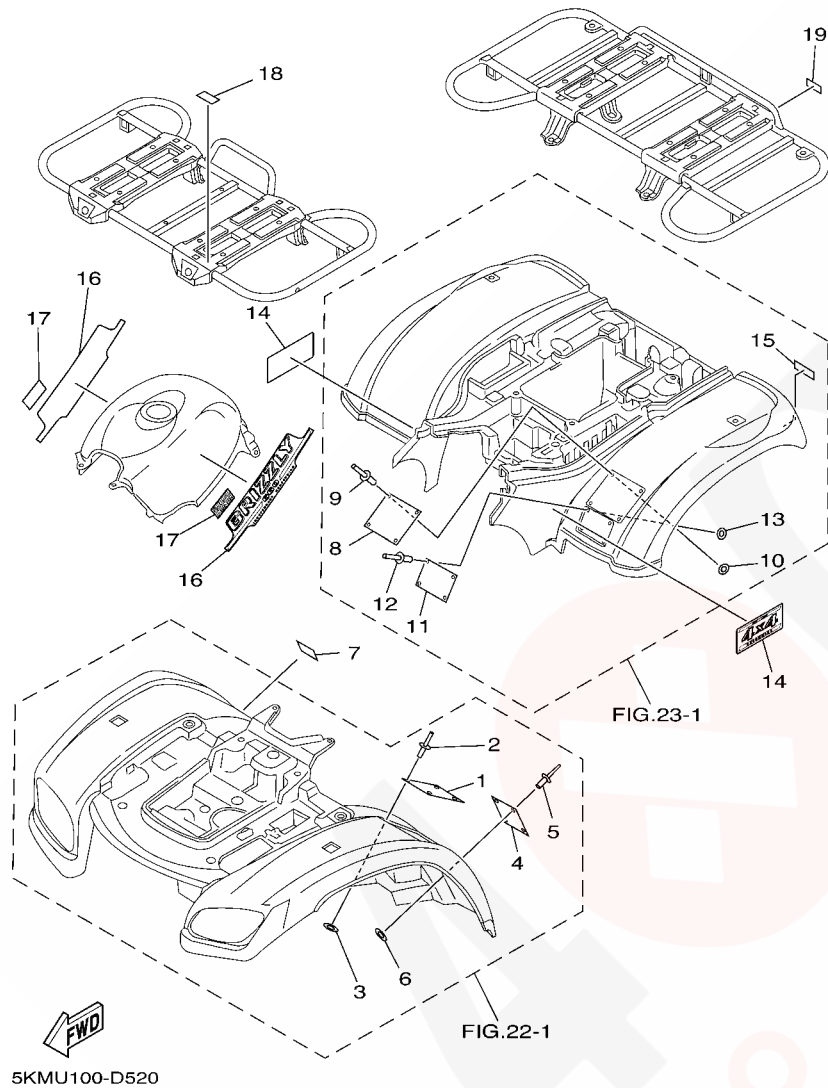


FIG. 52 EMBLEM & LABEL 3

REF. NO.	PART NO.	DESCRIPTION	USA	EUR	OCE	JPN	REMARKS
1	5FE-21568-11	LABEL, WARNING				1	ENGLISH
2	90267-32004	RIVET, BLIND				6	
3	90201-03313	WASHER, PLATE				6	
4	5FE-21697-01	LABEL, CAUTION 2				1	ENGLISH
5	90267-32004	RIVET, BLIND				4	
6	90201-03313	WASHER, PLATE				4	
7	5KM-21558-00	LABEL, WARNING 2				1	ENGLISH
8	5KM-21696-00	LABEL, CAUTION				1	ENGLISH
9	90267-32004	RIVET, BLIND				4	
10	90201-03313	WASHER, PLATE				4	
11	5FE-2151H-01	LABEL 5				1	ENGLISH
12	90267-32004	RIVET, BLIND				4	
13	90201-03313	WASHER, PLATE				4	
14	5KM-2163G-J0	EMBLEM 1				2	
15	5KM-2151K-00	LABEL 7				1	ENGLISH
16	5KM-2173E-C0	GRAPHIC 1				2	
17	3GD-2153E-10	EMBLEM, YAMAHA				2	
18	3GC-24877-A0	LABEL, CAUTION				1	ENGLISH
19	4WV-24877-A0	LABEL, CAUTION				1	ENGLISH

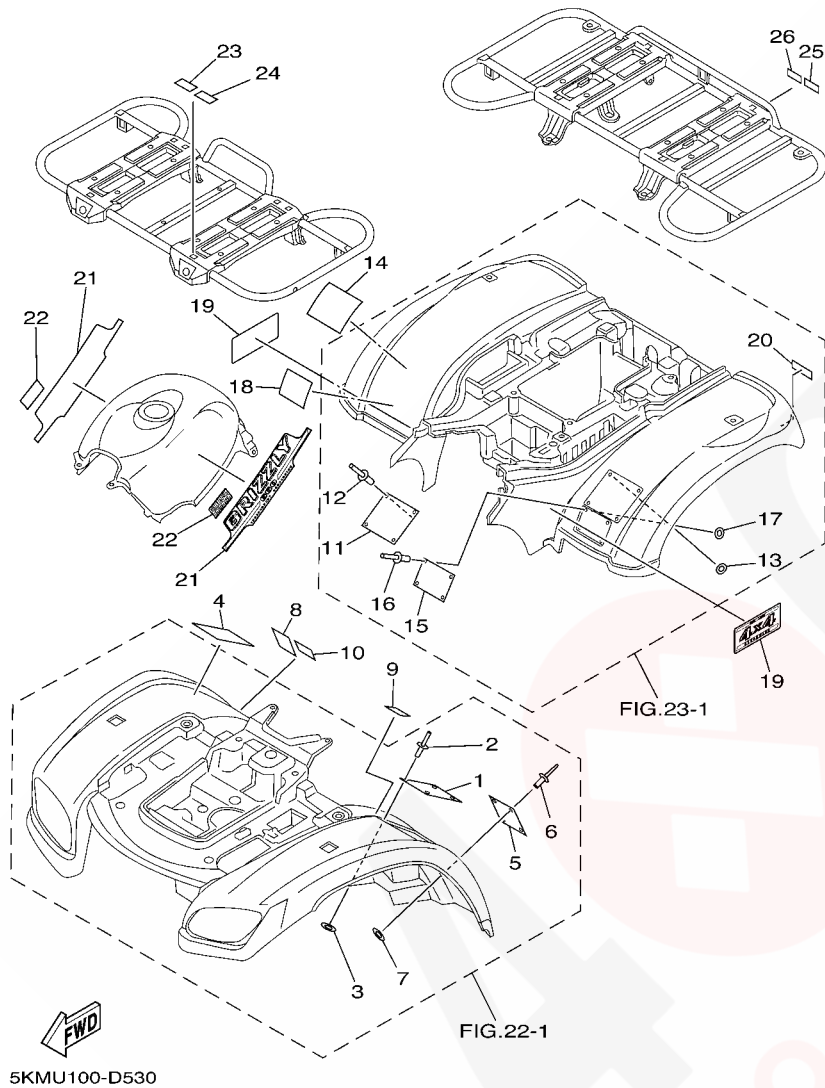


FIG. 53 EMBLEM & LABEL 4

REF. NO.	PART NO.	DESCRIPTION	USA	EUR	OCE	JPN	REMARKS
1	5FE-21568-11	LABEL, WARNING				1	ENGLISH
2	90267-32004	RIVET, BLIND				6	
3	90201-03313	WASHER, PLATE				6	
4	4SH-21568-00	LABEL, WARNING				1	JAPANESE
5	5FE-21697-01	LABEL, CAUTION 2				1	ENGLISH
6	90267-32004	RIVET, BLIND				4	
7	90201-03313	WASHER, PLATE				4	
8	4SH-21697-00	LABEL, CAUTION 2				1	JAPANESE
9	5GH-2151E-20	LABEL 2				1	
10	5KM-21558-30	LABEL, WARNING 2				1	
11	5KM-21696-00	LABEL, CAUTION				1	ENGLISH
12	90267-32004	RIVET, BLIND				4	
13	90201-03313	WASHER, PLATE				4	
14	5KM-21696-30	LABEL, CAUTION				1	
15	5FE-2151H-01	LABEL 5				1	ENGLISH
16	90267-32004	RIVET, BLIND				4	
17	90201-03313	WASHER, PLATE				4	
18	4LB-2151H-02	LABEL 5				1	JAPANESE
19	5KM-2163G-F0	EMBLEM 1				2	
20	5KM-2151K-00	LABEL 7				1	ENGLISH
21	5KM-2173E-90	GRAPHIC 1				2	
22	3GD-2153E-20	EMBLEM, YAMAHA				2	
23	4SH-24875-00	LABEL 1				1	JAPANESE
24	4KD-24877-C0	LABEL, CAUTION				1	
25	4SH-24875-00	LABEL 1				1	JAPANESE
26	4WV-24877-C0	LABEL, CAUTION				1	

NUMERICAL INDEX

PART NO.	GRID NO.	PART NO.	GRID NO.	PART NO.	GRID NO.	PART NO.	GRID NO.	PART NO.	GRID NO.	PART NO.	GRID NO.
5KM-11101-01	B - 2	5KM-12216-00	B - 8	4KM-14142-40	C - 2	5KM-14788-00	C - 3	21V-15719-00	C - 7	4CW-17664-00	C - 12
5KM-11133-10	B - 2	5KM-12231-10	B - 8	4WV-14147-10	B - 15	5KM-14901-10	B - 15	5KM-15723-00	C - 9	4WV-17670-00	C - 11
5KM-11134-10	B - 2	3YF-12233-01	B - 8	1UY-14155-00	C - 2	5KM-1490H-00	C - 2	21V-15741-00	C - 9	5KM-17681-10	C - 13
5KM-11166-10	C - 5	5KM-12241-00	B - 8	522-14161-00	C - 2	5KM-1490J-00	B - 15	21V-15751-00	C - 9	4WV-17684-00	C - 12
3YF-11147-00	B - 4	3YF-12247-00	B - 8	127-14186-00	B - 15	5KM-14912-00	B - 15	3X3-15755-00	C - 9	5KM-17832-00	C - 15
1L9-11186-00	B - 2	3YF-12284-00	B - 8	5KM-14190-30	B - 15	5GH-14918-00	B - 15	21V-15767-00	C - 9	5KM-18104-00	D - 5
3YF-11187-00	B - 2	3YF-12288-00	B - 8	12R-14191-00	B - 15	5KM-14918-00	B - 15	21V-15779-00	C - 9	5KM-18115-10	D - 5
214-11198-01	B - 13	3YF-12290-00	B - 8	24W-14193-00	C - 2	4KM-14933-00	B - 15	5KM-16181-00	B - 5	5KM-18129-01	D - 5
	D - 15	5KM-12405-00	B - 10	5KM-14193-00	C - 2	5KM-14937-00	C - 2	5KM-16611-10	C - 11	5KM-18131-00	D - 5
	E - 4	5KM-12411-01	B - 10	3YX-14197-00	C - 2	256-14956-01	C - 2	5KM-16620-00	C - 11	5KM-18146-00	D - 5
5KM-11310-00	B - 4	5KM-12413-01	B - 10	5KM-14197-10	C - 2	5KM-14968-00	C - 2	5KM-16626-00	C - 11	5KM-18148-00	D - 3
5KM-11351-00	B - 4	5KM-12420-10	B - 9	5KM-14197-20	B - 15	5DM-14985-00	B - 15	4SH-16664-00	C - 11	2H9-18154-00	D - 5
5KM-11400-00	B - 5	5KM-12421-00	B - 9	3DM-14216-00	C - 2	28V-14988-00	C - 2	5KM-17223-10	C - 13	1KT-18157-00	D - 5
5KM-11447-00	B - 5	5KM-12422-00	B - 9	3G2-14231-11	B - 15	5KM-15100-11	C - 5	5UG-17233-00	C - 13	5KM-18171-00	D - 3
5KM-11454-10	B - 5	5KM-12428-00	B - 9	1HX-14231-12	B - 15	5KM-15113-00	C - 7	5KM-17285-00	C - 13	5GH-18174-00	D - 5
5KM-11530-00	B - 5	11H-12438-10	B - 9	3G2-1423E-61	B - 15	5KM-15163-00	C - 5	5KM-17402-01	C - 13	5KM-18191-00	D - 5
5KM-11536-00	B - 5	5KM-12450-10	B - 9	5GH-14261-00	B - 15	5KM-15199-00	C - 5	5KM-17453-00	C - 13	5KM-18197-00	D - 5
5KM-11565-00	B - 5	5KM-12461-00	B - 10	5AP-14280-00	C - 2	5KM-15315-00	C - 7	5KM-17473-00	C - 13	4SH-18198-00	D - 5
3YF-11610-00	B - 5	5HD-12462-00	B - 10	4WV-14293-00	B - 15	5KM-15351-00	C - 7	5KM-17521-00	C - 15	5KM-18300-01	D - 5
3YF-11610-20	B - 5	5KM-12469-00	B - 10	4WV-14349-00	C - 2	5KM-15362-00	C - 5	5KM-17523-10	C - 13	5KM-18318-00	D - 3
3YF-11610-40	B - 5	5KM-12481-00	B - 10	5KM-14411-10	B - 12	2N4-15371-00	D - 15	4KB-17531-00	C - 15	5KM-18319-00	E - 3
3YF-11631-00-X0	B - 5	1AA-12535-00	B - 10	5KM-14412-10	B - 12	5KM-15379-00	C - 7	5KM-17531-00	C - 15	5KM-18323-00	D - 3
3YF-11633-01	B - 5	5KM-12576-00	B - 10	31A-14419-00	B - 12	4WV-15381-00	C - 6	4KB-17531-10	C - 15	5KM-18331-00	D - 3
3YF-11636-00	B - 5	5KM-12577-00	B - 10	5KM-14419-00	B - 12	11H-15383-02	C - 15	5KM-17531-10	C - 15	5KM-18511-00	D - 3
3YF-11638-00	B - 5	5KM-12578-00	B - 10	5KM-1442F-01	B - 12	4WV-15388-00	C - 5	4KB-17531-20	C - 15	5KM-18512-00	D - 3
5LP-11651-00	B - 5	5KM-12579-00	B - 10	31A-14435-00	B - 12	5KM-15411-10	C - 7	5KM-17531-20	C - 15	5KM-18514-00	E - 3
5KM-11681-00	B - 5	5KM-12611-00	B - 10	5GH-14436-00	B - 12	5GH-15413-00	C - 8	4KB-17531-30	D - 2	5KM-18531-01	D - 3
5KM-12111-00	B - 7	5KM-12620-00	B - 10	5BF-1443E-00	C - 8	5KM-15421-00	C - 7	5KM-17531-30	C - 15	5KM-18540-01	D - 3
3YF-12113-00	B - 7	5KM-12630-00	B - 10	1UY-14451-00	B - 12	5KM-15423-00	C - 8	4KB-17531-40	D - 2	5KM-18542-00	D - 3
3YF-12114-00	B - 7	5GH-12647-00	B - 10	5KM-14452-00	B - 12	5KM-15431-00	C - 7	5KM-17531-40	C - 15	1J7-18547-00	D - 4
3YF-12116-00	B - 7	33M-12671-00	B - 10	5KM-14453-00	B - 12	5KM-15442-00	C - 5	4KB-17531-50	D - 2	4UN-18566-00	D - 3
3YF-12117-01	B - 7	5KM-12858-00	B - 13	59V-14457-00	B - 12	5KM-15451-00	C - 7	5KM-17531-50	C - 15	5GH-18617-00	D - 5
4G0-12118-00	B - 7	3AJ-13161-01	B - 13	1UY-14458-01	B - 12	5KM-15453-00	C - 7	4KB-17531-60	D - 2	5KM-21110-10	D - 7
5H0-12119-00	B - 7	5KM-13171-00	B - 13	1UY-14468-00	B - 12	5KM-15463-00	C - 5	5KM-17551-10	C - 15	5KM-2117G-10	F - 7
3YF-12121-00	B - 7	5KM-13181-00	B - 13	583-14561-00	B - 15	5KM-15471-00	C - 7	5UG-17582-00	C - 13	5KM-21315-00	D - 7
3YF-12146-00	B - 7	5KM-1319K-00	B - 14	5DM-14561-00	B - 15	5KM-15472-10	C - 8	5UG-17583-00	C - 14	5KM-21316-00	D - 7
3YF-12151-00	B - 7	5KM-13300-00	B - 13	1FN-14565-00	B - 15	5KM-15473-00	C - 8	5KM-17611-00	C - 11	5KM-2133G-10	F - 6
2NX-12156-00	B - 7	5KM-13329-00	B - 13	5KM-14611-10	C - 3	5KM-15474-00	C - 8	5KM-1761A-10	D - 2	5KM-21441-00	F - 7
2NX-12159-00	B - 7	5KM-13355-00	B - 13	3YF-14613-01	C - 4	5KM-15494-00	C - 8	5KM-17620-00	C - 11	5KM-2147A-00	D - 8
3YF-12161-00	B - 7	5KM-13410-00	B - 13	5KM-14627-00	C - 3	5GH-15512-00	C - 10	5KM-17623-00	C - 11	5KM-2147E-00	D - 8
3YF-12162-00	B - 7	5GH-13440-00	B - 13	5KM-14711-10	C - 3	5KM-15517-10	C - 10	5KM-17630-00	C - 11	5KM-2147F-00	D - 8
3YF-12163-00	B - 7	5KM-13490-00	B - 13	5KM-14715-00	C - 3	5KM-15522-00	C - 10	4WV-17639-10	C - 11	5KM-21485-10	D - 7
3YF-12166-00	B - 7	5KM-13586-01	B - 12	5KM-14718-10	C - 3	5KM-15590-00	C - 10	5KM-17641-00	C - 11	5KM-21486-10	D - 7
5KM-12170-00	B - 8	5KM-13596-00	B - 12	5KM-14721-00	C - 3	5UH-15710-00	C - 9	4WV-17644-00	C - 12	5KM-21513-00	D - 7
5KM-12176-00	B - 8	5KM-14103-00	C - 2	5KM-14728-10	C - 3	5UH-15713-00	C - 9	5KM-17645-00	C - 11	5GH-2151E-00	G - 6
5KM-12210-00	B - 8	5EA-14105-00	B - 15	5KM-14738-00	C - 3	24W-15714-00	C - 9	4WV-17653-00	C - 11	5GH-2151E-20	G - 9
4DW-12213-00	B - 8	5KM-1410A-00	B - 15	5KM-14752-00	C - 3	21V-15715-01	C - 9	4WV-17654-01	C - 11	5FK-2151H-00	G - 7
3TB-12215-01	B - 2	5DM-14141-30	B - 15	3YF-14755-00	C - 3	5UH-15716-00	C - 9	4WV-17660-10	C - 11	5FE-2151H-01	G - 6

NUMERICAL INDEX

PART NO.	GRID NO.	PART NO.	GRID NO.	PART NO.	GRID NO.	PART NO.	GRID NO.	PART NO.	GRID NO.	PART NO.	GRID NO.
5FE-2151H-01	G - 8	5KM-2171A-10	D - 12	1UY-23812-00	E - 7	5KM-2510F-11	E - 11	5KM-25873-10	F - 4	5KM-28309-00	D - 9
	G - 9	5KM-2171A-30	D - 12	5KM-23813-00	E - 7	5KM-2510G-11	E - 11	5KM-25874-00	F - 6	5GH-28349-00	D - 9
4LB-2151H-02	G - 9	5KM-2171A-40	D - 12	8K1-23814-00	E - 7	5KM-2510H-10	E - 11	5KM-25875-00	F - 4	5KM-2837L-00	D - 9
5KM-2151K-00	G - 6	5KM-2171L-00	D - 12	5KM-23816-00	E - 7	5KM-2510J-20	E - 12	5KM-25882-00	F - 6	5KM-2842M-00	F - 8
	G - 7	5KM-21720-10	D - 12	5KM-23831-00	E - 7	5KM-2510J-30	E - 11	5KM-25886-00	F - 6	5KM-2842N-00	F - 8
	G - 8	5KM-2173E-90	G - 6	1UY-23841-01	E - 7	5KM-25111-10	E - 11	5JJ-25894-00	F - 6	5KM-2845N-00	F - 8
	G - 9		G - 7	1UY-23845-01	E - 7	3HN-2511G-01	E - 11	5LP-25895-00	F - 7	5KM-28488-00	D - 8
3GD-2153E-10	G - 8		G - 9	5KM-2385L-00	E - 5		E - 14	1FK-2589F-00	F - 4	5KM-28488-10	D - 8
3GD-2153E-20	G - 6	5KM-2173E-A0	G - 6	5KM-2385M-00	E - 5	4KB-2511H-00	E - 14	3GM-2589H-00	F - 6	5KM-42752-00	E - 3
	G - 7		G - 7	5KM-23868-00	E - 7	5KM-2512A-00	E - 11	3GD-25916-00	E - 13	5KM-45531-10	E - 11
	G - 9	5KM-2173E-B0	G - 6	5KM-2386G-00	E - 5		E - 14	5KM-25919-00	F - 2	5KM-45593-00	D - 2
5KM-21557-00	D - 12	5KM-2173E-C0	G - 8	5KM-2386H-00	E - 5	3HN-2512G-01	E - 11	8CR-25924-00	F - 2	5KM-46101-11	D - 14
5KM-21558-00	G - 6	5KM-2174A-20	D - 12	5GT-23872-00	D - 7		E - 14	8CR-25926-00	F - 2	5KM-46102-00	D - 14
	G - 8	5KM-2174M-10	D - 12	1UY-23894-01	E - 7	4KB-2512H-00	E - 11	3GD-25933-00	E - 13	22U-46117-00-25	D - 15
5KM-21558-20	G - 7	5KM-2174T-20	D - 12	5KM-24110-00	E - 8		E - 14	5KM-26111-00	F - 3	22U-46117-00-30	D - 15
5KM-21558-30	G - 9	5KM-2175B-00	D - 9	5KM-2414H-00	E - 8	2HR-2512J-00	E - 11	5KM-26124-00	F - 3	22U-46117-00-40	D - 15
4GB-2155A-00	G - 7	5KM-2179T-30	B - 12	3ME-2415E-00	G - 7		E - 14	1NV-26129-00	F - 3	24W-46118-00-12	D - 14
4SH-21568-00	G - 9	1AA-21815-00	D - 12	5KM-2416F-00	E - 9	5KM-2514A-10	E - 13	5FE-26232-00	D - 9	24W-46118-00-14	D - 14
5FK-21568-00	G - 7	5KM-21871-00	D - 12	5KM-24181-00	E - 8	5KM-25180-42	E - 11	5LP-26241-00	F - 3	24W-46118-00-16	D - 14
5FE-21568-01	G - 6	1AA-21874-00	D - 12	5KM-24182-00	E - 8	5KM-2530F-10	E - 15	5KM-26250-00	F - 3	24W-46118-00-18	D - 14
5FE-21568-11	G - 8	5KM-2193A-00	D - 10	5KM-24311-10	E - 8	5KM-2530T-12	E - 14	1NV-2625G-01	F - 3	24W-46118-00-20	D - 14
	G - 9	5KM-22128-00	D - 13	5KM-24327-01	E - 8	5KM-2530U-12	E - 14	1NV-2625K-00	F - 3	4WV-46119-01	E - 3
5KM-2156A-01	G - 7	5KM-22129-00	D - 13	5KM-24411-00	B - 15	5KM-2530V-10	E - 14	4KB-2628F-10	F - 3	5KM-46119-01	E - 4
5KM-21575-10	D - 9	5KM-22149-00	D - 13	5KM-24500-00	E - 8	5KM-2530W-10	E - 14	4KB-2628G-00	F - 3	4WV-46119-11	E - 3
5KM-21585-00	D - 8	5KM-22171-00	D - 13	4X8-24512-00	E - 8	5KM-2530X-11	E - 14	1NV-26304-00	F - 3	5KM-46119-11	E - 4
5KM-2160F-40	D - 11	5KM-22172-00	D - 13	3AJ-24523-00	E - 8	5KM-2530Y-10	E - 14	5KM-26311-10	F - 3	4WV-46119-21	E - 3
5KM-21613-00	D - 11	5KM-2217M-00	D - 13	5GH-24524-00	E - 8	5KM-25311-10	E - 14	5KM-26331-10	F - 3	5KM-46119-21	E - 4
5GH-2163E-00	D - 11	5KM-2217N-00	D - 13	3AJ-24534-00	E - 8	5KM-25390-42	E - 14	5EB-26332-00	F - 4	4WV-46119-31	E - 3
5KM-2163G-F0	G - 6	5KM-22210-20	E - 5	5ND-24610-00	E - 8	4WV-2580T-10	E - 13	5KM-26341-00	F - 7	5KM-46119-31	E - 4
	G - 7	5KM-22210-30	E - 5	5KM-24710-00	E - 10	4WV-2580U-10	E - 13	5KM-2637F-00	F - 7	4WV-46119-41	E - 3
	G - 9	5KM-22358-00	E - 4	5KM-24710-10	E - 10	5KM-2580V-00	F - 2	1NV-26398-00	F - 3	5KM-46119-41	E - 4
5KM-2163G-G0	G - 6	5KM-23123-00	E - 6	5KM-24731-00	E - 10	5KM-2581J-10	F - 6	371-27114-00	E - 10	4WV-46119-51	E - 3
	G - 7	5KM-23133-00	E - 6	5KM-24731-10	E - 10	31A-2582A-50	F - 6	5KM-27211-00	F - 5	5KM-46119-51	E - 4
5KM-2163G-H0	G - 6	5KM-23338-00	D - 9	5KM-2482H-00	F - 8	5KM-2582T-10	E - 13	5KM-27212-10	F - 5	5KM-46119-61	E - 4
5KM-2163G-J0	G - 8	5KM-23350-20	E - 6	5KM-24841-10	F - 8	5KM-2582V-00	F - 2	4SS-27218-00	F - 6	5KM-46126-00	D - 15
5KM-21652-10	D - 11	5KM-23350-30	E - 6	5KM-24842-20	F - 8	5KM-2583T-01	F - 4	2YK-27222-00	F - 6	2HR-46127-00-25	D - 14
5KM-21696-00	G - 6	5KM-23391-00	D - 9	5KM-24845-00	F - 8	5KM-2583V-00	F - 6	5KM-27252-00	F - 5	2HR-46127-00-30	D - 14
	G - 8	5KM-23448-00	E - 15	5KM-24846-00	F - 8	5GH-25844-00	F - 6	5KM-27263-00	F - 5	2HR-46127-00-35	D - 14
	G - 9	5KM-23501-10	E - 11	4SH-24875-00	G - 9	5JX-25852-01	F - 4	5KM-27414-01	C - 3	2HR-46127-00-40	D - 14
5KM-21696-30	G - 9	5KM-23502-10	E - 12	3MX-24875-A0	G - 6	3XP-25852-50	F - 6	5GH-2741A-00	F - 5	2HR-46127-00-45	D - 14
5KM-21696-M0	G - 7	2NL-23517-00	E - 15	3GC-24877-A0	G - 6	2VN-25854-00	F - 6	5KM-27453-01	F - 5	2HR-46127-00-50	D - 14
4SH-21697-00	G - 9	5KM-23526-10	D - 13		G - 7	4L0-25854-00	F - 4	5KM-27463-01	F - 5	5KM-46136-00	D - 15
5FK-21697-00	G - 7		E - 6		G - 8	2VN-25855-00	F - 6	5KM-27481-10	F - 5	5KM-46137-00	D - 15
5FE-21697-01	G - 6	5KM-23540-10	E - 6	4WV-24877-A0	G - 6	2GU-25866-00	F - 4	5KM-27488-10	F - 5	5KM-46141-11	E - 3
	G - 8	5KM-23550-10	E - 6		G - 7		F - 6	5KM-27491-00	F - 7	5KM-46143-00	E - 3
	G - 9	5KM-23570-10	E - 6		G - 8	5GH-25867-00	F - 4	4WV-28100-00	D - 8	5KM-46144-01	D - 14
5KM-21710-10	D - 12	5KM-23579-00	E - 6	4KD-24877-C0	G - 9	5KM-25871-00	F - 4	1NV-2811A-01	D - 8	4WV-46145-00	E - 3
5KM-2171A-00	D - 12	5KM-23580-10	E - 6	4WV-24877-C0	G - 9	5KM-25872-00	F - 4	5KM-2819R-00	G - 6	5KM-46151-01	D - 14

NUMERICAL INDEX

PART NO.	GRID NO.	PART NO.	GRID NO.	PART NO.	GRID NO.	PART NO.	GRID NO.	PART NO.	GRID NO.	PART NO.	GRID NO.
5KM-46152-00	D - 15	3KJ-82310-10	F - 15	4US-85753-00	E - 8	90109-060F3	D - 11	90173-06015	C - 3	90201-10430	E - 6
5KM-46155-00	E - 3	3YF-82370-00	F - 15	2JG-85757-00	E - 8	90109-063E8	B - 7	90179-08148	F - 14	90201-12191	D - 14
2HR-46156-00	D - 15	5KM-82507-00	G - 2	8CR-W0041-00	F - 4	90109-063E9	B - 2	90179-08410	C - 3	90201-127J6	D - 3
4WV-46159-00	E - 3	5HA-82509-00	F - 15	5KM-W0042-50	F - 6	90109-063F1	D - 8	90179-10007	E - 11	90201-132G5	D - 5
5KM-46160-12	E - 3	5KM-82509-00	G - 3	4WV-W0045-00	E - 13		D - 9		E - 14	90201-14226	E - 7
5KM-46161-00	E - 3	5KM-82510-00	G - 2	5KM-W0046-00	F - 2		D - 12	90179-12325	D - 14	90201-144J2	F - 5
5KM-46162-00	E - 3	5KM-82530-00	G - 2	3GD-W0047-00	E - 13		F - 5	90179-16001	C - 11	90201-14633	D - 2
4WV-46167-00	E - 4	5KM-82540-00	F - 15	5KM-W0047-00	F - 2		F - 7	90179-16661	C - 15		E - 3
5KM-4616A-01	E - 3	5LP-82540-00	F - 15	1UY-W0048-50	E - 13	90109-063F5	D - 8	90179-20006	E - 11	90201-170M2	C - 15
5KM-46172-00	D - 15	5KM-82541-00	G - 2		F - 2		D - 9		E - 14	90201-17255	C - 13
5KM-46173-10	E - 4	5GH-8254B-00	G - 2	3GD-W0057-00	E - 13		F - 5	90179-22005	C - 11	90201-190T7	C - 11
5KM-46212-00	D - 14	5GM-82560-00	F - 15	5KM-W0057-00	F - 2	90109-06723	F - 15	90179-22526	C - 15	90201-20278	C - 13
5KM-46441-00	E - 3	5GT-82560-00	G - 2	5KM-W2151-00	D - 9	90109-06799	F - 14	90179-55660	D - 2	90201-20792	D - 3
5KM-46451-00	E - 4	5KM-82560-00	F - 15	5KM-W2151-10	D - 9	90109-08021	E - 13	90179-60001	C - 15	90201-25291	C - 10
5KM-46470-12	E - 3	1AJ-82560-01	F - 15	5KM-W2151-40	D - 9	90109-14002	D - 3	90179-65001	D - 14	90206-12075	B - 7
5KM-46559-00	D - 15	3HN-82569-00	G - 2	5KM-W215B-00	D - 9	90110-06039	B - 8	90183-05008	F - 12	90206-14086	F - 11
5KM-47491-00	E - 5	3HN-82579-00	G - 2	5KM-W215B-10	D - 9	90110-06093	B - 3	90183-06053	C - 8	90209-06174	B - 5
5KM-67839-00	E - 3	5KM-82590-20	G - 2	5KM-W215D-00	D - 9	90113-08004	E - 3		E - 6	90209-08249	C - 3
5KM-81410-00	F - 9	5KM-82590-30	G - 2	5KM-W215E-30	D - 9	90114-10010	E - 11	90185-10060	D - 13	90209-22082	C - 13
5KM-81450-10	F - 9	5KM-82910-01	F - 14	5KM-W2161-01	D - 11		E - 14		E - 5	90215-18001	B - 6
5KM-81677-00	F - 7	1YW-82911-02	F - 14	5KM-W2161-11	D - 11	90119-05071	E - 8		E - 6	90240-06076	F - 7
3AJ-81801-00	F - 10	2XJ-82913-00	F - 14	5KM-W2161-41	D - 11	90119-06044	F - 15		E - 15	90240-08013	F - 6
5KM-81815-00	F - 10	4V4-82913-00	F - 3	5KM-W216B-01	D - 11	90119-06056	C - 8	90185-14070	D - 2	90267-32004	G - 6
3AJ-81826-00	F - 10	5KM-82917-00	F - 14	5KM-W216B-11	D - 11		D - 9		E - 7		G - 7
4XV-8182A-00	F - 10	4WV-83371-00	G - 4	5KM-W216B-31	D - 11		D - 11	90201-03313	G - 6		G - 8
11H-81844-00	F - 10	5KM-83500-40	F - 11	5KM-Y1754-10	C - 15		D - 12		G - 7		G - 9
1FK-81847-00	F - 10	5KM-83500-50	F - 11	5KM-Y4612-00	D - 14	90119-06117	D - 13		G - 8	90269-05055	D - 5
5KM-81890-00	F - 10	5UG-83755-01	F - 15	90101-10568	B - 5	90123-08046	F - 14		G - 9	90269-07076	D - 9
4SV-81940-10	G - 2	4TR-83790-00	F - 15	90105-06023	B - 9	90149-04278	F - 3	90201-047R9	C - 11		D - 12
5DM-81950-00	G - 2	23X-83912-00	F - 14	90105-06031	C - 5	90149-05321	D - 3	90201-06008	D - 5		E - 8
29U-81950-93	G - 2	5KM-83922-00	F - 4		C - 7	90149-06011	E - 8	90201-06042	F - 7	90280-16053	B - 5
5BN-81960-00	F - 15	437-83936-01	G - 3	90105-07004	B - 8	90149-06021	D - 10	90201-06071	F - 5	90282-05005	B - 5
3WP-81980-00	G - 2	5KM-83972-00	F - 14	90105-08538	E - 13		F - 5	90201-06074	F - 13	90338-08226	B - 12
4SH-82100-22	F - 15	4GB-83976-00	F - 14	90105-09647	B - 4	90149-08152	C - 15	90201-06557	D - 10		F - 15
5FU-82103-00	F - 15	5KM-83976-00	F - 3	90105-09648	B - 2	90149-08296	F - 5		F - 5	90338-09130	D - 11
5KM-82109-00	G - 3	5LP-83980-00	F - 4	90105-10051	D - 7	90150-06021	E - 13	90201-06778	C - 3	90338-12081	D - 6
5GH-82114-00	G - 3	4KB-84314-01	F - 12	90105-10286	E - 6	90151-05023	C - 7	90201-07081	D - 9	90340-10001	E - 4
5KM-82115-00	G - 2	5KM-84320-00	F - 12	90105-10300	D - 7	90154-05004	F - 12	90201-08016	F - 15	90340-14029	E - 4
5KM-82116-00	G - 2	2GU-84332-00	F - 12	90105-10323	D - 13	90157-04088	C - 11	90201-08083	F - 6	90340-14046	D - 15
371-82121-00	G - 2	2GU-84334-00	F - 12	90105-10388	E - 5	90159-05022	F - 12	90201-08087	D - 15	90340-14117	B - 2
5KM-82128-00	F - 15	5EH-84340-00	F - 12		E - 6	90167-05025	F - 8	90201-086J0	C - 3		C - 7
5KM-82129-00	G - 2	5KM-84703-00	F - 12	90105-10480	E - 15	90170-06128	B - 7	90201-08784	F - 5	90340-14132	B - 13
1AE-82151-00	G - 2	5KM-84710-00	F - 13	90105-10549	E - 6	90170-08358	D - 5	90201-096J9	B - 4	90340-18101	B - 2
5JJ-82151-10	G - 2	1A2-84714-41	F - 13	90105-10634	F - 2	90170-10186	E - 7	90201-10118	F - 4	90340-20143	D - 14
5JJ-82151-30	G - 2	5KM-8472C-10	F - 13	90105-10649	B - 4	90170-18003	B - 6		F - 6	90381-17067	E - 15
5JJ-82151-50	G - 2	3Y6-85130-02	G - 5	90105-10650	B - 4	90170-36279	C - 12	90201-101A4	B - 4	90387-060A7	B - 11
5GT-82180-00	G - 2	5KM-85540-10	F - 15	90105-14367	D - 3	90171-10046	E - 6	90201-101J1	D - 7	90387-0613B	D - 5
5KM-82309-00	G - 2	5KM-85752-00	E - 8	90109-06038	F - 2		E - 7	90201-10321	B - 5	90387-061V4	C - 3

NUMERICAL INDEX

PART NO.	GRID NO.	PART NO.	GRID NO.	PART NO.	GRID NO.	PART NO.	GRID NO.	PART NO.	GRID NO.	PART NO.	GRID NO.
90387-06648	D - 9	90464-14M55	G - 3	90793-26092	F - 15	93102-28476	C - 7	93306-20221	C - 13	95027-06008	G - 2
90387-066J1	E - 8	90464-15157	G - 3	91317-05012	F - 9	93102-30170	C - 15	93306-20321	C - 13	95027-06012	B - 9
90387-075H4	E - 8	90464-15195	G - 3	91317-06010	B - 10	93102-35004	C - 5	93306-20331	D - 7		B - 14
90387-090R0	E - 7	90464-35047	G - 3		F - 4	93102-35009	D - 14	93306-20332	C - 13		C - 6
90387-250R3	C - 13	90465-05M87	C - 7	91317-06012	B - 13	93102-42004	C - 13	93306-20597	D - 2	95027-06014	B - 13
90387-26001	C - 13	90465-08361	C - 7	91317-06016	F - 15	93102-44454	D - 2	93306-20715	C - 15		C - 7
90401-06001	B - 3	90465-10026	D - 5	91317-06018	B - 2	93102-48012	E - 3	93306-30318	C - 14	95027-06016	C - 5
90401-08004	B - 13	90465-10098	G - 3	91317-06020	B - 10	93102-65004	D - 15	93306-30432	B - 6		D - 7
90401-10159	B - 13	90467-06194	B - 9		B - 12	93104-09025	F - 3	93306-30534	B - 6	95027-06020	B - 10
	F - 4		C - 2	91317-06025	B - 2	93104-41119	C - 11	93306-30537	C - 15		D - 5
	F - 6	90467-07029	E - 2	91317-06040	B - 2	93112-31011	E - 7	93306-30574	D - 14	95027-06030	C - 5
90401-14118	B - 13		E - 4		B - 4	93210-08521	B - 7	93306-30702	B - 5		C - 7
90401-20145	B - 13	90467-08003	D - 12	91317-06050	B - 2	93210-10096	B - 13	93306-37206	C - 15		D - 5
90413-05014	G - 3	90467-08021	G - 4	91317-06055	B - 2	93210-13657	B - 2	93306-91201	E - 4		F - 10
90430-06014	B - 9	90467-10038	B - 10	91317-06115	B - 2	93210-14359	E - 3	93310-212R6	C - 10	95027-06040	B - 13
90430-06192	B - 3	90467-11044	F - 7	91317-06130	B - 2	93210-14369	C - 7	93310-420F2	C - 13		C - 5
90430-08204	B - 13	90467-12053	E - 8	91317-08018	C - 10	93210-14579	B - 13	93310-637D3	B - 5		C - 7
90430-10003	E - 4	90467-14015	C - 5	91317-08020	E - 3	93210-15620	F - 6	93315-21813	C - 11	95027-06045	B - 9
90430-10148	F - 15	90467-14057	F - 7	91317-08040	C - 5	93210-16290	B - 5	93316-00702	E - 4	95027-06055	C - 5
90430-10188	B - 13	90467-15012	D - 6	91317-10025	D - 8	93210-19026	C - 5	93316-01003	C - 5	95027-06065	B - 9
90430-14043	B - 13	90467-16195	C - 8	91380-06010	C - 3	93210-19123	D - 14	93316-01701	D - 15	95027-08012	D - 15
	D - 4	90467-22080	B - 12	91401-16012	F - 6	93210-19522	B - 2	93317-85569	D - 14	95307-05600	G - 5
90430-14194	D - 3	90467-26189	B - 10	91401-20012	F - 7	93210-21190	B - 10	93410-20038	C - 13	95307-05700	F - 3
90445-07176	G - 3	90468-15139	G - 3	91401-20020	E - 6	93210-26001	C - 13		D - 3	95307-08700	D - 5
90445-07371	E - 2	90468-16191	E - 7		E - 7	93210-29196	F - 15	93410-22039	D - 15	95307-10700	E - 7
	E - 4	90480-01009	C - 3	91A20-07010	C - 2	93210-32172	B - 2	93410-46079	C - 11	95317-06600	D - 9
	G - 3	90480-01400	E - 8	92907-04600	C - 2	93210-321A8	B - 12	93440-10085	B - 2		F - 5
90445-09023	E - 8	90480-13018	C - 7		F - 3	93210-33133	B - 9	93440-25084	C - 13	95337-10600	E - 6
90445-09220	F - 13	90480-13398	C - 8	92907-05100	F - 3	93210-33786	B - 10	93450-22119	E - 12	95606-06100	F - 4
90445-09635	D - 12	90480-13567	D - 12		G - 5	93210-41041	D - 8	93450-24028	B - 5	95607-05100	F - 3
90445-096F4	D - 12	90480-15235	B - 11	92907-06100	F - 14	93210-44545	B - 12	93450-24062	C - 11	95607-06100	F - 14
90446-06001	B - 9	90480-18290	B - 12	92907-06600	B - 2		C - 11	93503-08007	D - 3	95607-10200	D - 7
90446-09155	G - 3		E - 8		B - 8	93210-626A7	D - 14	93603-21180	B - 8		E - 5
90446-16001	D - 6	90480-18418	F - 7		B - 11	93210-71360	B - 2	93604-18100	D - 3	95617-06100	F - 2
90450-32008	C - 3	90501-05001	B - 8		C - 9	93210-78544	C - 15	93606-09002	B - 5	95617-08625	B - 2
90450-32015	B - 10	90501-06022	D - 3		F - 9	93210-82001	E - 4	93612-16254	B - 4	95702-06500	C - 9
90450-65001	B - 12	90501-10353	D - 3		F - 15	93210-975A9	G - 3	93700-06004	E - 15	95707-05500	F - 11
90450-67001	B - 12	90501-12004	D - 4	92907-08600	C - 15	93211-01467	B - 4	93900-00030	E - 11	95707-06300	D - 10
90460-15126	G - 3	90501-12016	D - 3		D - 15	93211-40040	E - 4		E - 14		F - 5
90460-59211	B - 12	90501-16002	D - 3	92990-10600	E - 7	93211-51749	D - 15	94108-12008	E - 11		F - 13
90460-75020	B - 12	90501-18002	D - 15	93101-10090	B - 9	93211-594A4	C - 11	94108-12009	E - 11	95707-08500	D - 15
90460-81224	C - 8	90501-200A0	E - 4	93101-12168	C - 6	93305-00601	E - 11	94110-12008	E - 14	95807-06012	E - 6
90460-85135	C - 8	90501-220A1	B - 5	93101-35001	C - 11		E - 15	94110-12009	E - 14	95807-06016	D - 9
90462-08008	B - 10	90501-65001	C - 12	93102-15212	D - 5	93306-00006	B - 9	94581-94070	B - 13	95807-06020	B - 11
90464-07001	G - 3	90506-12441	F - 5	93102-20108	B - 6	93306-00612	C - 13	94591-53126	B - 8		F - 15
90464-12045	G - 3	90506-16318	F - 5	93102-24034	E - 3	93306-00709	E - 4	94591-54034	C - 13	95807-06030	E - 8
90464-12089	G - 3	90508-32018	D - 3	93102-25081	D - 7	93306-07801	C - 7	94701-00241	B - 2	95807-08020	D - 6
90464-13073	G - 3	90508-35764	D - 5	93102-25099	D - 7	93306-20120	C - 6	94703-00241	B - 2	95807-08040	C - 3

NUMERICAL INDEX

PART NO.	GRID NO.	PART NO.	GRID NO.	PART NO.	GRID NO.	PART NO.	GRID NO.	PART NO.	GRID NO.	PART NO.	GRID NO.
95817-06012	G - 4	98507-04010	C - 2								
95817-06016	C - 5	98507-04014	C - 2								
	D - 6	98507-04016	F - 3								
95817-06020	C - 3	98507-05008	B - 15								
95817-06035	D - 5	98507-05020	F - 3								
95817-08012	F - 5	98507-06010	C - 3								
95817-08014	E - 5	98507-06020	F - 14								
95817-08016	D - 7	98507-06030	F - 9								
95817-08020	D - 7	98706-04012	F - 4								
95817-08025	C - 3	98707-04018	E - 8								
	F - 5	99001-10600	F - 5								
	F - 6	99009-10400	B - 9								
95817-08030	C - 15	99009-11400	B - 13								
95817-10025	D - 15	99009-12400	D - 3								
95817-10030	D - 7	99009-19400	D - 15								
95827-06008	F - 6	99009-30400	E - 6								
95827-06012	D - 7	99009-35400	B - 5								
	F - 6	99009-55500	E - 11								
95827-06016	C - 3		E - 15								
	C - 7	99009-80500	C - 5								
95827-06020	C - 8	99530-08012	D - 5								
95827-06025	C - 7	99530-10116	B - 2								
	F - 4		C - 5								
	F - 6		C - 7								
95827-06030	C - 5	99530-14016	B - 4								
	C - 7										
95827-06040	C - 6										
95827-06050	C - 5										
95827-08012	F - 8										
95827-08014	F - 8										
95827-08020	D - 8										
95827-08030	E - 7										
97007-06020	F - 15										
97017-06010	B - 11										
97017-06014	C - 9										
97017-08035	D - 14										
97027-06016	B - 8										
97027-08025	D - 15										
97027-08030	C - 15										
97027-08060	E - 7										
97607-04114	C - 2										
97707-50016	F - 8										
97707-60016	G - 2										
97707-60025	B - 12										
	F - 15										
98507-03014	E - 8										
98507-03540	F - 12										
98507-04008	B - 15										