



# PARTS CATALOGUE

**YFM660FR** (5KMA) U.S.A.

**YFM660FR** (5KM9) CANADA



2015/12/18

1B5KM-100E2

( 2B5KM-100E2 )

NEWS NO.	DATE	COMMENT
PE0-MC-040038	July,20,2004	FIG.27 FRONT DIFFERENTIAL LIST/ILLUSTRATION CORRECTION
PE0-MC-040115	Sep., 8,2004	FIG.16 CLUTCH CIRCLIP CORRECTION
PE0-MC-040144	Nov.,22,2004	FIG.31 FUEL TANK ILLUSTRATION CORRECTION
PE0-MC-090004	Jan.,30,2009	MOD:FIG.49 ELECTRICAL 1 LIST REVISION
PE0-MC-150099	Dec.,11,2015	COR:YFM660(5KM,2C6,23D) FIG.40 REAR MASTER CYLINDER ILLUST. CORRECTION



**A4**

# FOREWORD

This Parts Catalogue is related to the parts for the model(s) on the cover page. When you are ordering replacement parts, please refer to this Parts Catalogue and quote both part numbers and part names correctly.

1. Modifications or additions which have been made after the issue of the Parts Catalogue will be announced in the Parts News.  
It is advisable that you make the necessary corrections to the Parts Catalogue according to the Parts News.

2. Abbreviations

The following abbreviations are used in this Parts Catalogue.

“UR” Use specified parts number.

“UN” Use as many as needed.

“AP” Alternate Parts

“LM” Locally Made (Parts need to be ordered locally)

“F#” Frame No. (Applicable machine No.)

“O/S” Over Size

3. The number of components for assembly

- Parts, which are to be supplied in an assembly, are listed with a dot (.) in front of the part name as shown below.
- The numeral appearing to the right of each component part indicates the quantity of parts for each assembly unit.

PART NO.	DESCRIPTION	Q'TY	REMARKS
2F5-83310-60	FRONT FLASHER LIGHT ASSY	2	
115-83311-60	.BULB (6V-18W)	1	

4. Applicable colours of graphics are represented in the “REMARKS” as shown below.

PART NO.	DESCRIPTION	Q'TY	REMARKS
2N4-24110-00-X5	FUEL TANK COMP.	2	MXR
3J1-24240-10	.GRAPHIC, FUEL TANK	1	FOR MXR

5. Note that the illustrations for reference in finding parts numbers are not to be used for assembling. When assembling, please use the applicable service manual.

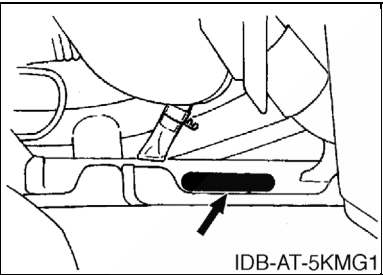
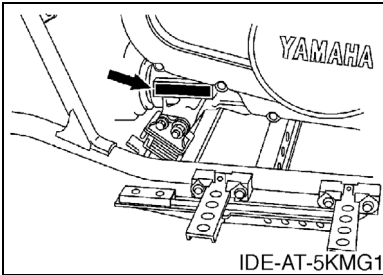
6. The asterisk (\*) before a reference number indicates modified items after the first edition.

# FOREWORD

7. Applicable Serial No.

Engine Serial No.

Frame Serial No.



8. Applicable Colour Code (The (\*) mark shows Model colour.)

Abbreviation	Colour Name	Colour Code
DNYS1(*)	DARK GRAYISH YELLOW SOLID 1	0598
DPBSE(*)	DEEP PURPLISH BLUE SOLID E	0583
PDG(*)	PASTEL DEEP GREEN	00K0
RTR(*)	ROMANTIQUE ROUGE	00TR

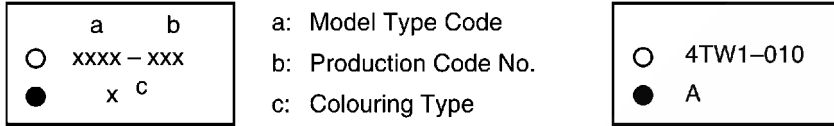
9. Quantity Column Information

Column No.	Name Of Q'ty Column	Destination
1	USA	U.S.A.
2	CAN	CANADA

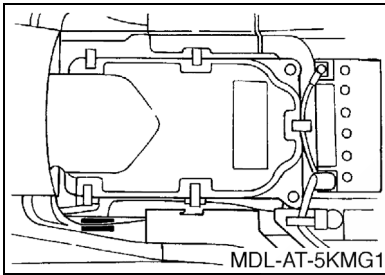
# MODEL LABEL

(1) A label called "Model Label" is affixed in the location as indicated in (3) below. When using this parts catalogue, please be sure to cross-reference the "model code – production code No." in the catalogue with the "model code – production code No." indicated on the Model Label affixed onto the product concerned.

(2) "Model Label" Indication



(3) Model Label Affixing Location



(4) Colouring Information

Model Code	Colouring Type Code	Colour Code	Colour Name	Abbreviation
5KM9	A	00K0	PASTEL DEEP GREEN	PDG
	B	00TR	ROMANTIQUE ROUGE	RTR
	D	0583	DEEP PURPLISH BLUE SOLID E	DPBSE
5KMA	A	00K0	PASTEL DEEP GREEN	PDG
	B	00TR	ROMANTIQUE ROUGE	RTR
	C	0598	DARK GRAYISH YELLOW SOLID 1	DNYS1

(5) Model Code – Production Code Number of Model Listed in This Parts Catalogue

Model Code	Production Code No.	Country (destination)	Model Code	Production Code No.	Country (destination)
5KM9	010	CANADA			
5KMA	010	U.S.A.			

# CONTENTS

## ENGINE

CYLINDER HEAD .....	B2
CYLINDER .....	B4
CRANKSHAFT & PISTON .....	B5
VALVE .....	B7
CAMSHAFT & CHAIN .....	B8
WATER PUMP .....	B9
RADIATOR & HOSE .....	B10
INTAKE .....	B12
OIL PUMP .....	B13
CARBURETOR .....	B15
EXHAUST .....	C3
CRANKCASE .....	C5
CRANKCASE COVER 1 .....	C7
STARTER .....	C9
STARTER CLUTCH .....	C10
CLUTCH .....	C11
TRANSMISSION .....	C13
MIDDLE DRIVE GEAR .....	C15
SHIFT CAM & FORK .....	D3
SHIFT SHAFT .....	D5

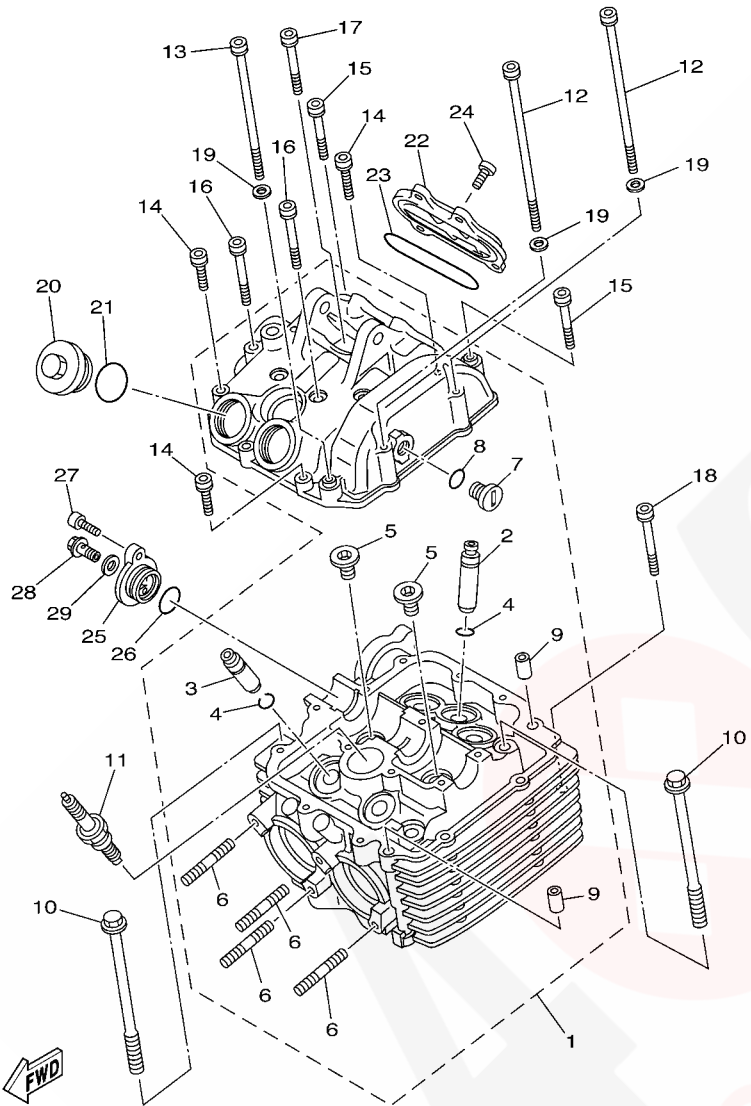
## CHASSIS

FRAME .....	D7
FRONT FENDER .....	D9
REAR FENDER .....	D11
SIDE COVER .....	D12
REAR ARM .....	D13
DRIVE SHAFT .....	D14
FRONT DIFFERENTIAL .....	E3
REAR SUSPENSION .....	E5
FRONT SUSPENSION & WHEEL .....	E6
STEERING .....	E7
FUEL TANK .....	E8
SEAT .....	E9
FRONT WHEEL .....	E10
FRONT BRAKE CALIPER .....	E12
REAR WHEEL .....	E13
REAR BRAKE CALIPER .....	E15
STEERING HANDLE & CABLE .....	F2
FRONT MASTER CYLINDER .....	F3
STAND & FOOTREST .....	F4

REAR MASTER CYLINDER .....	F5
GUARD .....	F7
GENERATOR .....	F8
STARTING MOTOR .....	F9
METER .....	F10
HEADLIGHT .....	F11
TAILLIGHT .....	F12
TAILLIGHT 2 .....	F13
HANDLE SWITCH & LEVER .....	F14
ELECTRICAL 1 .....	F15
ELECTRICAL 2 .....	G4
EMBLEM & LABEL 1 .....	G5
EMBLEM & LABEL 2 .....	G6

## INDEX

NUMERICAL INDEX .....	M1
-----------------------	----

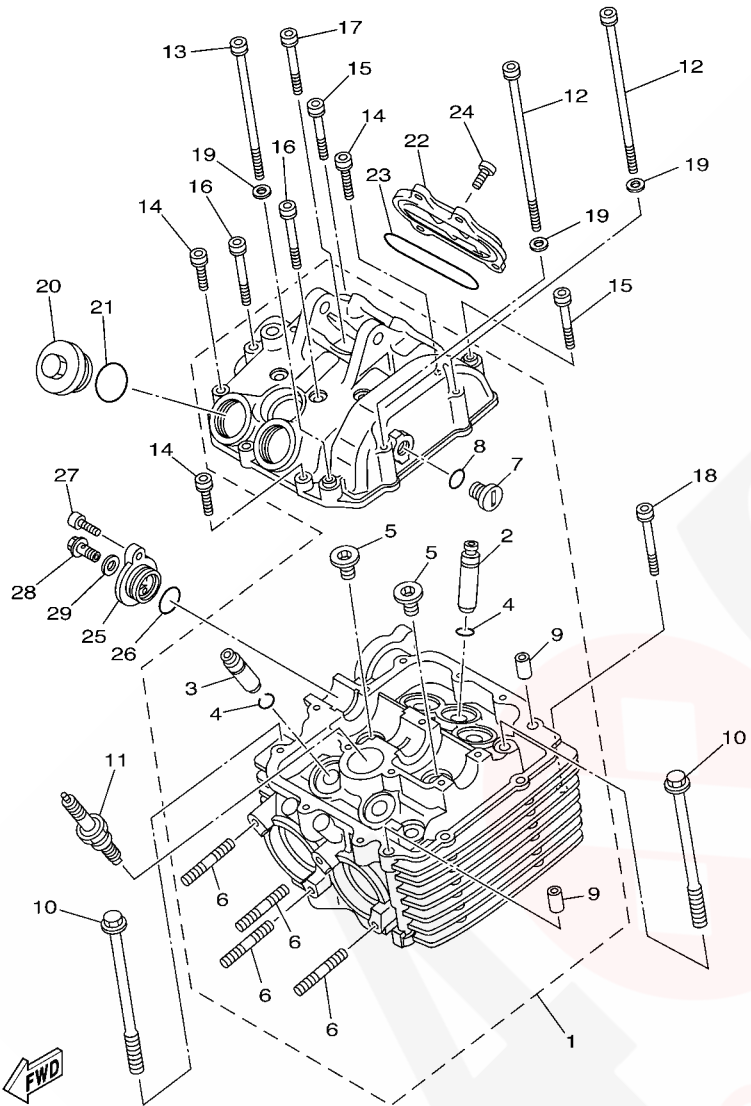


5KM1100-2011

FIG. 1 CYLINDER HEAD

REF. NO.	PART NO.	DESCRIPTION	USA	CAN	REMARKS
1	5KM-11101-01	CYLINDER HEAD ASSY	1	1	
2	5KM-11133-10	.GUIDE, VALVE 1	3	3	
3	5KM-11134-10	.GUIDE, VALVE 2	2	2	
4	93440-10085	.CIRCLIP	5	5	
5	90340-18101	.PLUG, STRAIGHT SCREW	2	2	
6	95617-08625	.BOLT, STUD	4	4	
7	90340-14117	.PLUG, STRAIGHT SCREW	1	1	
8	93210-13657	.O-RING	1	1	
9	99530-10116	.PIN, DOWEL	2	2	
10	90105-09648	BOLT, FLANGE	4	4	
11	94701-00241	PLUG, SPARK (NGK DPR8EA-9)	1	1	
12	91317-06130	BOLT	2	2	
13	91317-06115	BOLT	1	1	
14	91317-06025	BOLT	5	5	
15	91317-06040	BOLT	2	2	
16	91317-06055	BOLT	6	6	
17	90109-063E9	BOLT	1	1	
18	91317-06050	BOLT	1	1	
19	92907-06600	WASHER, PLATE	3	3	
20	1L9-11186-00	COVER, CYLINDER HEAD SIDE 2	2	2	
21	93210-32172	O-RING	2	2	
22	3YF-11187-00	COVER, CYLINDER HEAD SIDE 3	1	1	
23	93210-71360	O-RING	1	1	
24	91317-06018	BOLT	4	4	
25	3TB-12215-01	CAP, TENSIONER CASE	1	1	
26	93210-19522	O-RING	1	1	
27	90110-06093	BOLT, HEXAGON SOCKET HEAD	1	1	

**B2**



5KM1100-2011

FIG. 1 CYLINDER HEAD

REF. NO.	PART NO.	DESCRIPTION	USA	CAN	REMARKS
28	90401-06001	BOLT, UNION	1	1	
29	90430-06192	GASKET	1	1	

**B3**



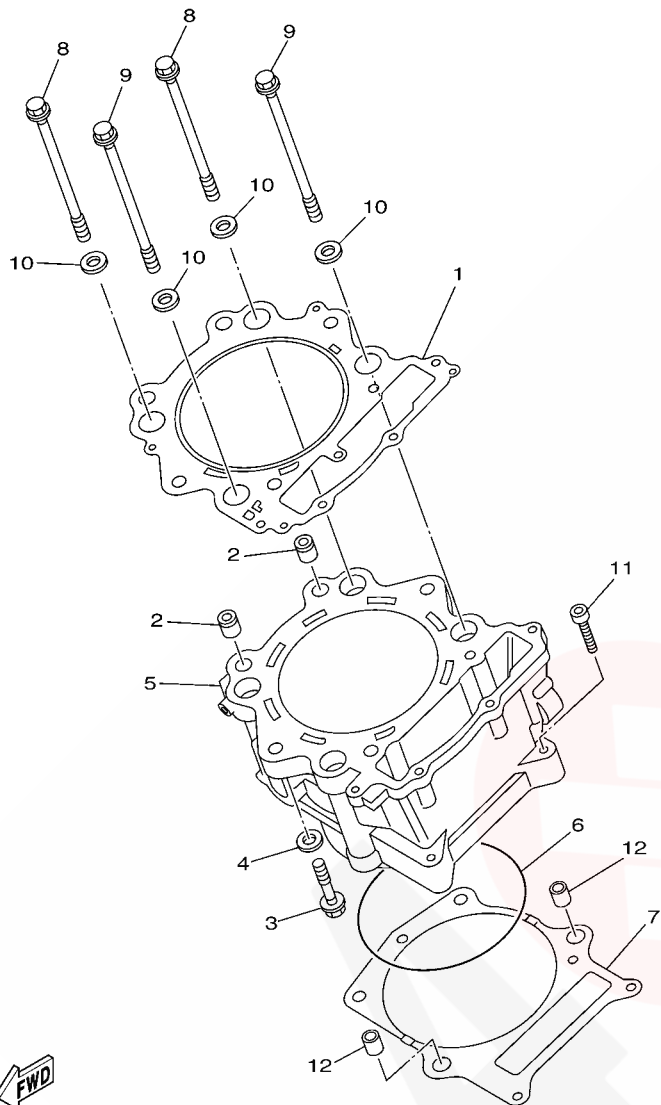
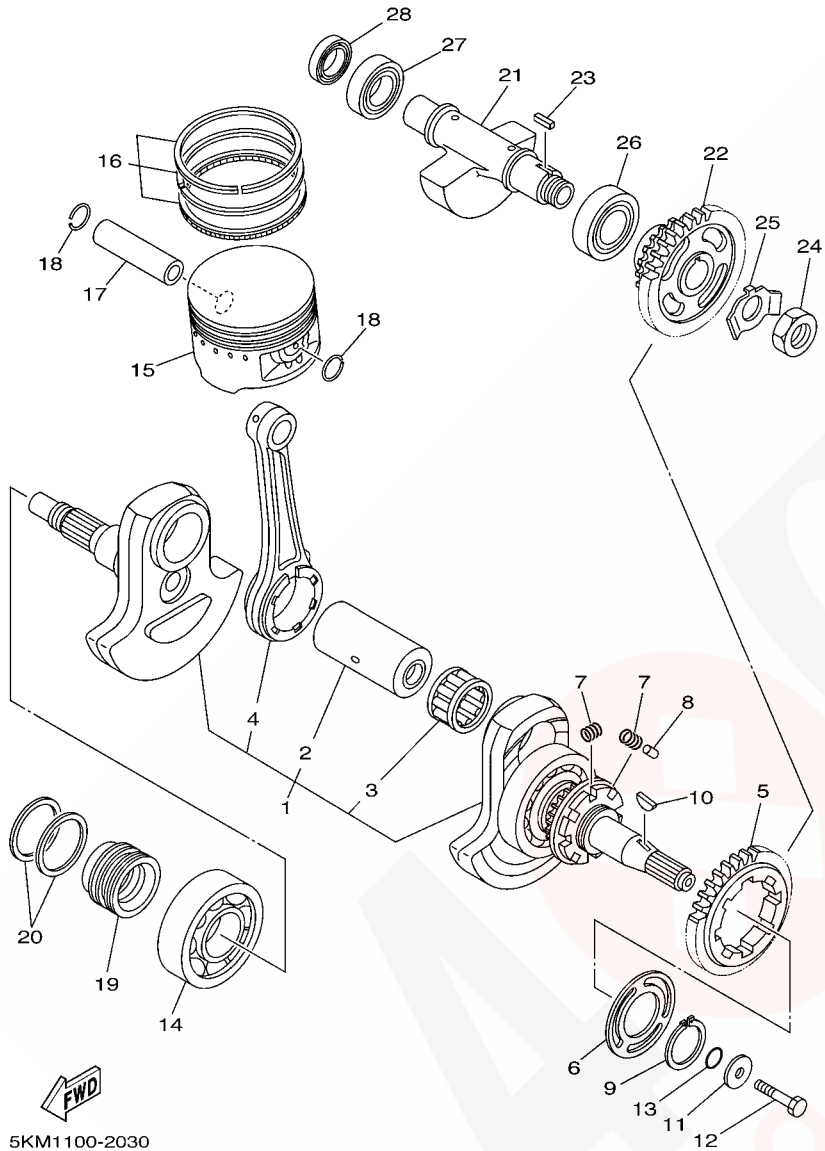


FIG. 2 CYLINDER

REF. NO.	PART NO.	DESCRIPTION	USA	CAN	REMARKS
1	3YF-11181-00	GASKET, CYLINDER HEAD 1	1	1	
2	93612-16254	PIN, DOWEL	2	2	
3	90105-09647	BOLT, FLANGE	2	2	
4	90201-096J9	WASHER, PLATE	6	6	
5	5KM-11310-00	CYLINDER	1	1	
6	93211-01467	O-RING	1	1	
7	5KM-11351-00	GASKET, CYLINDER	1	1	
8	90105-10649	BOLT, FLANGE	2	2	
9	90105-10650	BOLT, FLANGE	2	2	
10	90201-101A4	WASHER, PLATE	4	4	
11	91317-06040	BOLT	2	2	
12	99530-14016	PIN, DOWEL	2	2	



5KM1100-2021



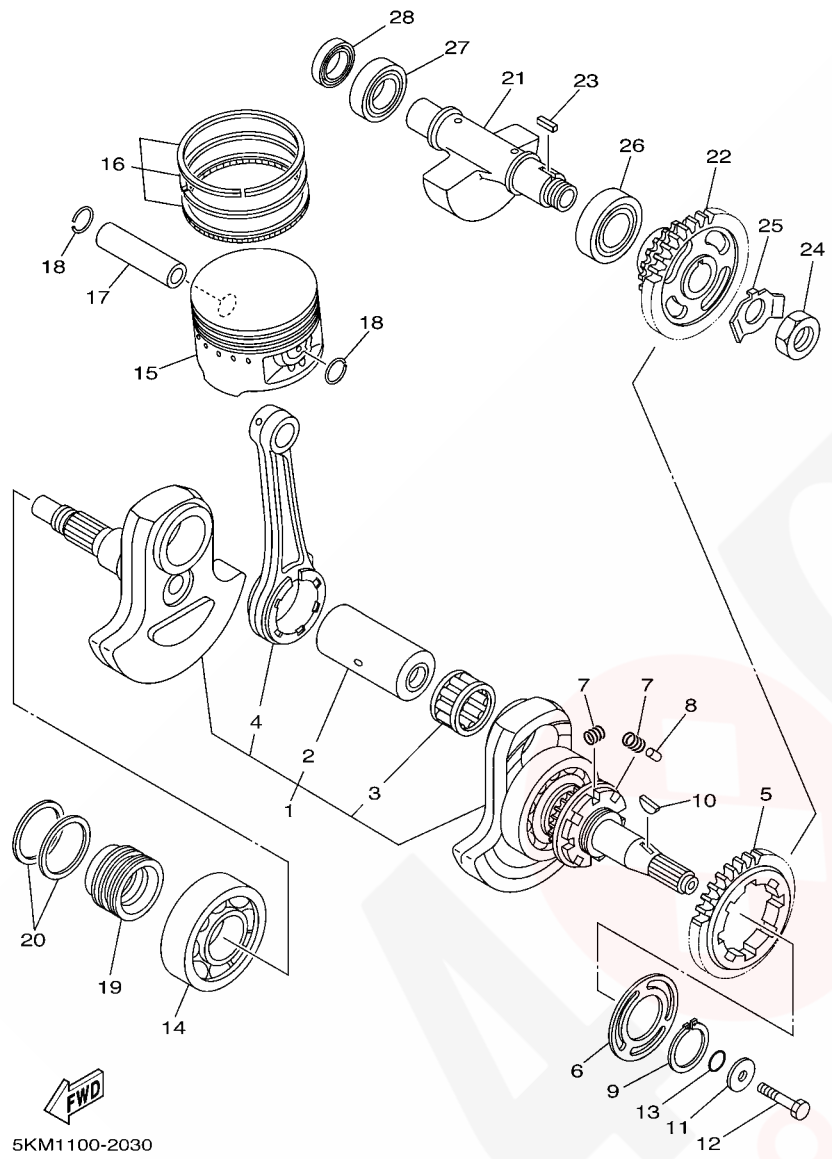
5KM1100-2030

FIG. 3 CRANKSHAFT & PISTON

REF. NO.	PART NO.	DESCRIPTION	USA	CAN	REMARKS
1	5KM-11400-00	CRANKSHAFT ASSY	1	1	
2	5KM-11681-00	.PIN, CRANK 1	1	1	
3	93310-637D3	.BEARING	1	1	
4	5LP-11651-00	.ROD, CONNECTING	1	1	
5	5KM-11536-00	GEAR, DRIVE	1	1	
6	5KM-11565-00	WASHER, BEARING COVER	1	1	
7	90501-220A1	SPRING, COMPRESSION	8	8	
8	93606-09002	PIN, DOWEL	4	4	
9	99009-35400	CIRCLIP	1	1	
10	90280-16053	KEY, WOODRUFF	1	1	
11	90201-10321	WASHER, PLATE	1	1	
12	90101-10568	BOLT	1	1	
13	93210-16290	O-RING	1	1	
14	93306-30702	BEARING (B6307)	1	1	
15	3YF-11631-00-X0	PISTON (STD)	1	1	
	3YF-11636-00	PISTON (0.50MM O/S)	1	1	AP
	3YF-11638-00	PISTON (1.00MM O/S)	1	1	AP
16	3YF-11610-00	PISTON RING SET (STD)	1	1	
	3YF-11610-20	PISTON RING SET (0.50MM O/S)	1	1	AP
	3YF-11610-40	PISTON RING SET (1.00MM O/S)	1	1	AP
17	3YF-11633-01	PIN, PISTON	1	1	
18	93450-24028	CIRCLIP	2	2	
19	5KM-16181-00	SPACER 1	1	1	
20	5KM-11447-00	SEAL, CRANK	2	2	
21	5KM-11454-10	WEIGHT 1	1	1	
22	5KM-11530-00	BALANCER WEIGHT GEAR COMP.	1	1	
23	90282-05005	KEY, STRAIGHT	1	1	

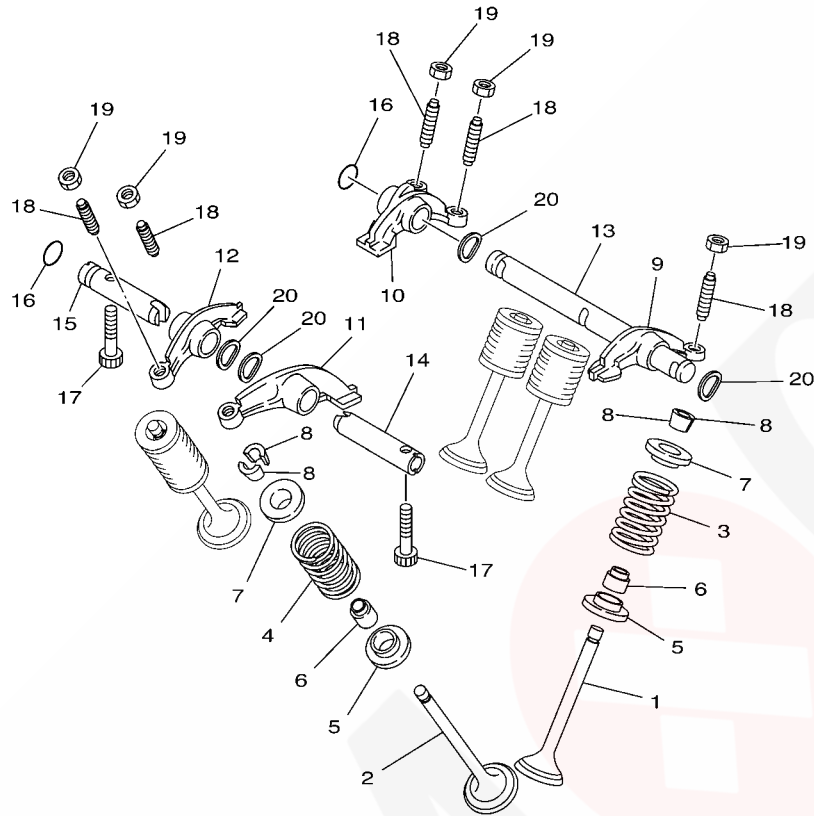
B5

**FIG. 3 CRANKSHAFT & PISTON**



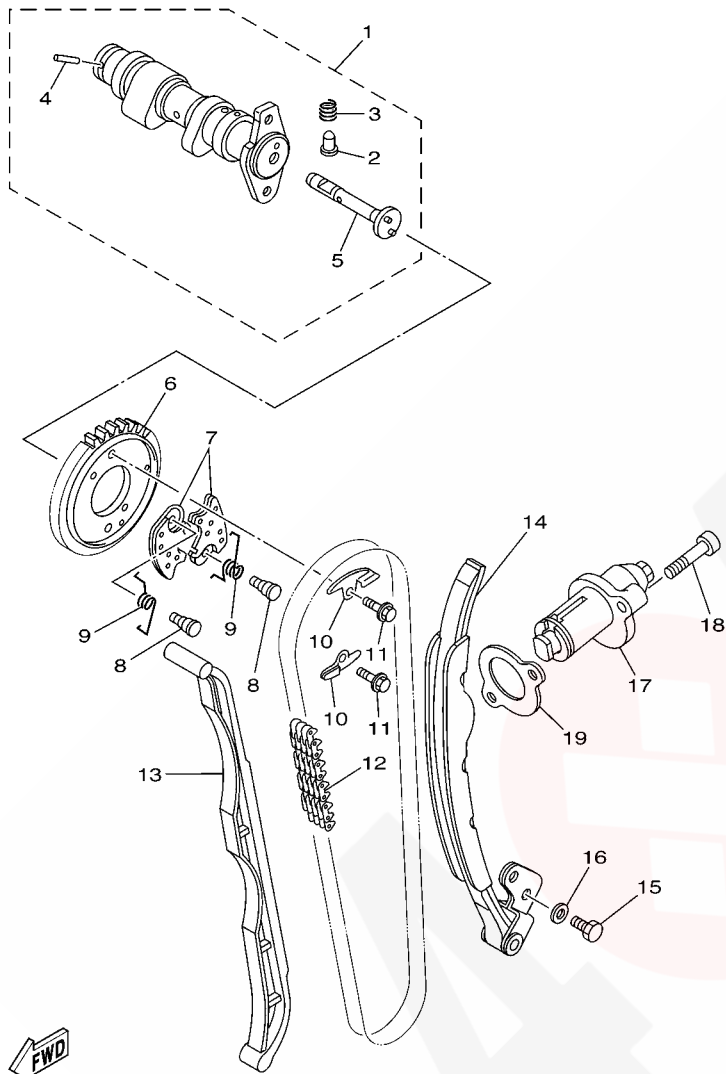
REF. NO.	PART NO.	DESCRIPTION	USA	CAN	REMARKS
24	90170-18003	NUT	1	1	
25	90215-18001	WASHER, LOCK	1	1	
26	93306-30534	BEARING	1	1	
27	93306-30432	BEARING (B6304)	1	1	
28	93102-20108	OIL SEAL	1	1	
-----					
-----					
-----					
-----					
-----					
-----					
-----					
-----					
-----					
-----					
-----					

  
5LP1100-1041



**FIG. 4 VALVE**

REF. NO.	PART NO.	DESCRIPTION	USA	CAN	REMARKS
1	5KM-12111-00	VALVE, INTAKE	3	3	
2	3YF-12121-00	VALVE, EXHAUST	2	2	
3	3YF-12113-00	SPRING, VALVE INNER	3	3	
4	3YF-12114-00	SPRING, VALVE OUTER	2	2	
5	3YF-12116-00	SEAT, VALVE SPRING	5	5	
6	5H0-12119-00	SEAL, VALVE STEM	5	5	
7	3YF-12117-01	RETAINER, VALVE SPRING	5	5	
8	4G0-12118-00	COTTER, VALVE	10	10	
9	3YF-12151-00	ARM, VALVE ROCKER	1	1	
10	3YF-12161-00	ARM, VALVE ROCKER 2	1	1	
11	3YF-12162-00	ARM, VALVE ROCKER 3	1	1	
12	3YF-12163-00	ARM, VALVE ROCKER 4	1	1	
13	3YF-12146-00	SHAFT, ROCKER	1	1	
14	2NX-12156-00	SHAFT, ROCKER 2	1	1	
15	3YF-12166-00	SHAFT, ROCKER 3	1	1	
16	93210-08521	O-RING	2	2	
17	90109-063E8	BOLT	2	2	
18	2NX-12159-00	SCREW, VALVE ADJUSTING	5	5	
19	90170-06128	NUT	5	5	
20	90206-12075	WASHER, WAVE	4	4	

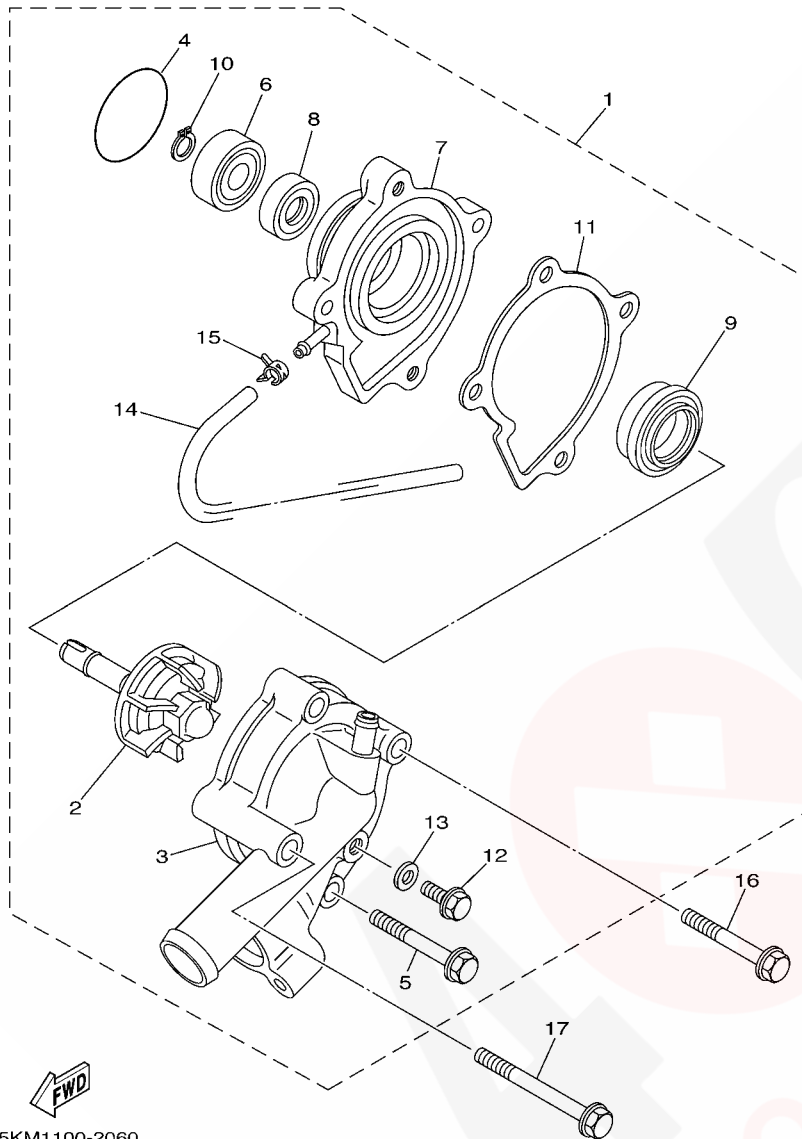


5KM9100-B050

FIG. 5 CAMSHAFT & CHAIN

REF. NO.	PART NO.	DESCRIPTION	USA	CAN	REMARKS
1	5KM-12170-00	CAMSHAFT ASSY 1	1	1	
2	3YF-12284-00	.PIN, DECOMPRESSION LEVER	1	1	
3	90501-05001	.SPRING, COMPRESSION	1	1	
4	93603-21180	.PIN, DOWEL	1	1	
5	3YF-12290-00	.LEVER, DECOMPRESSION SPRING	1	1	
6	5KM-12176-00	SPROCKET, CAM CHAIN	1	1	
7	3YF-12288-00	CAM, DECOMPRESSION	2	2	
8	3YF-12247-00	SHAFT, TENSIONER	2	2	
9	5KM-12216-00	SPRING	2	2	
10	3YF-12233-00	PLATE, GUIDE STOPPER 1	2	2	
11	90105-07342	BOLT, FLANGE	2	2	
12	94591-53126	CHAIN (92RH2010-126M)	1	1	
13	5KM-12231-10	GUIDE, STOPPER 1	1	1	
14	5KM-12241-00	GUIDE, STOPPER 2	1	1	
15	97027-06016	BOLT	2	2	
16	92907-06600	WASHER, PLATE	2	2	
17	5KM-12210-00	TENSIONER ASSY, CAM CHAIN	1	1	
18	90110-06039	BOLT, HEXAGON SOCKET HEAD	2	2	
19	4DW-12213-00	GASKET, TENSIONER CASE	1	1	

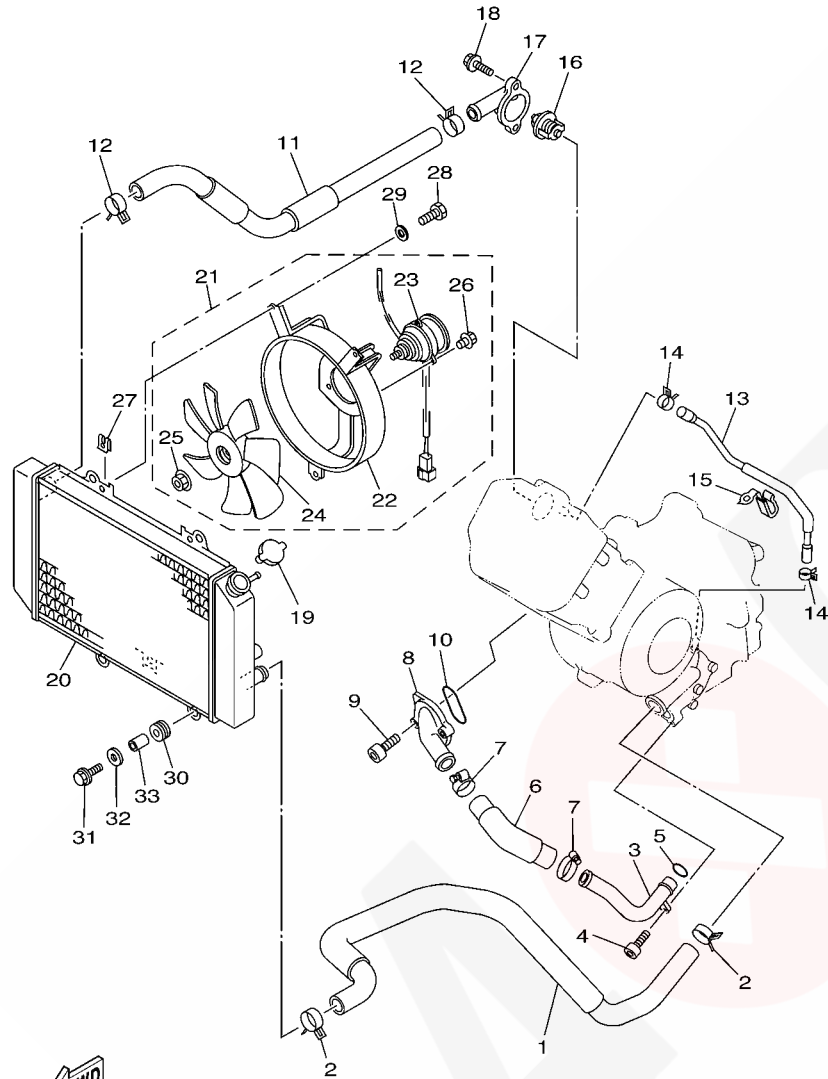
FIG. 6 WATER PUMP



5KM1100-2060

REF. NO.	PART NO.	DESCRIPTION	USA	CAN	REMARKS
1	5KM-12420-10	WATER PUMP ASSY	1	1	
2	5KM-12450-10	.IMPELLER SHAFT ASSY	1	1	
3	5KM-12422-00	.COVER, HOUSING	1	1	
4	93210-33133	.O-RING	1	1	
5	90105-06023	.BOLT, FLANGE	2	2	
6	93306-00006	.BEARING (B6000)	1	1	
7	5KM-12421-00	.HOUSING, WATER PUMP	1	1	
8	93101-10090	.OIL SEAL	1	1	
9	11H-12438-10	.SEAL, MECHANICAL	1	1	
10	99009-10400	.CIRCLIP	1	1	
11	5KM-12428-00	.GASKET, HOUSING COVER 2	1	1	
12	95027-06010	.BOLT, FLANGE	1	1	
13	90430-06014	.GASKET	1	1	
14	90446-06001	.HOSE (L300)	1	1	
15	90467-06194	.CLIP	1	1	
16	95027-06045	BOLT, FLANGE	1	1	
17	95027-06065	BOLT, FLANGE	1	1	

FIG. 7 RADIATOR & HOSE

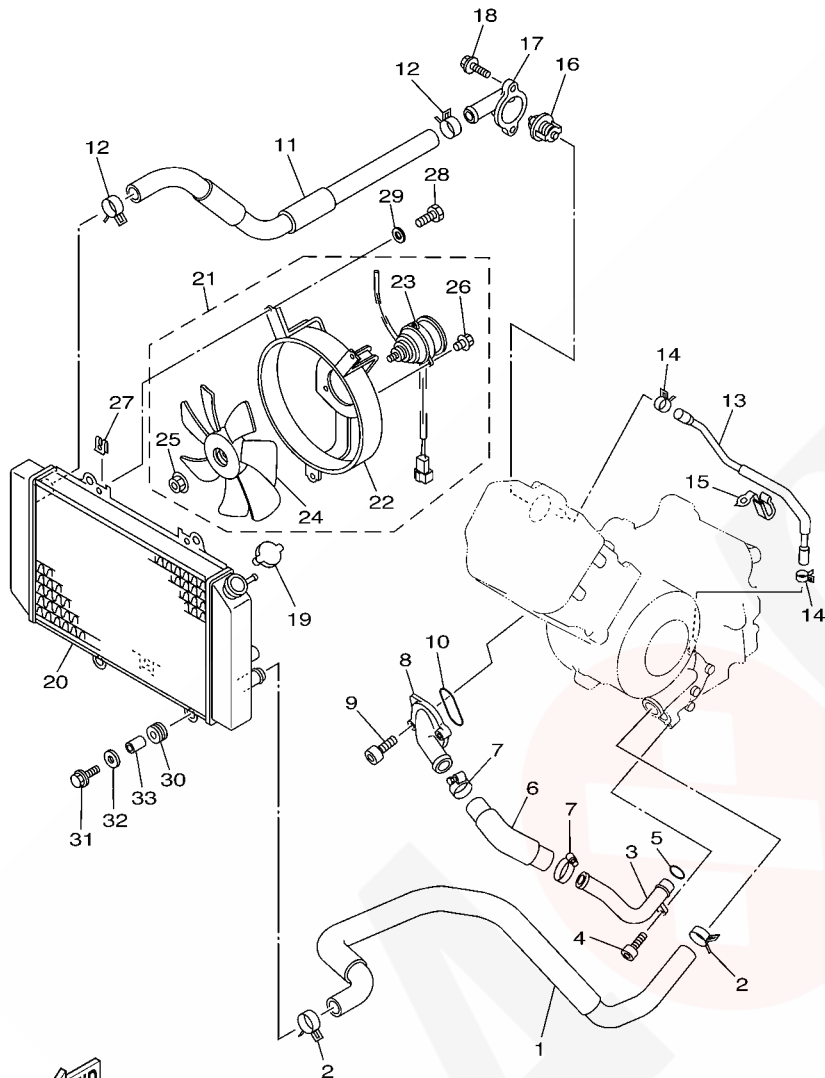


  
5KM5110-2070

REF. NO.	PART NO.	DESCRIPTION	USA	CAN	REMARKS
1	5KM-12576-00	HOSE 1	1	1	
2	90467-26189	CLIP	2	2	
3	5KM-12481-00	PIPE 1	1	1	
4	91317-06010	BOLT	1	1	
5	93210-21190	O-RING	1	1	
6	5KM-12577-00	HOSE 2	1	1	
7	90450-32015	HOSE CLAMP ASSY	2	2	
8	5KM-12469-00	JOINT 1	1	1	
9	91317-06020	BOLT	2	2	
10	93210-33786	O-RING	1	1	
11	5KM-12578-00	HOSE 3	1	1	
12	90467-26189	CLIP	2	2	
13	5KM-12579-00	HOSE 4	1	1	
14	90467-10038	CLIP	2	2	
15	90462-08008	CLAMP	1	1	
16	5KM-12411-01	THERMOSTAT	1	1	
17	5KM-12413-00	COVER, THERMOSTAT	1	1	
18	95027-06020	BOLT, FLANGE	2	2	
19	5HD-12462-00	CAP, RADIATOR	1	1	
20	5KM-12461-00	RADIATOR ASSY	1	1	
21	5KM-12405-00	BLOWER ASSY	1	1	
22	5KM-12620-00	.AIR SHROUD ASSY	1	1	
23	5KM-12630-00	.MOTOR ASSY	1	1	
24	5KM-12611-00	.FAN	1	1	
25	33M-12671-00	.NUT 1	1	1	
26	5GH-12647-00	.SCREW, MOTOR HOLDING	3	3	
27	1AA-12535-00	PLATE	3	3	

**B10**

FIG. 7 RADIATOR & HOSE



5KM5110-2070

REF. NO.	PART NO.	DESCRIPTION	USA	CAN	REMARKS
28	97017-06010	BOLT	3	3	
29	92907-06600	WASHER, PLATE	3	3	
30	90480-15235	GROMMET	4	4	
31	95807-06020	BOLT, FLANGE	2	2	
32	90209-06174	WASHER	2	2	
33	90387-060A7	COLLAR	2	2	



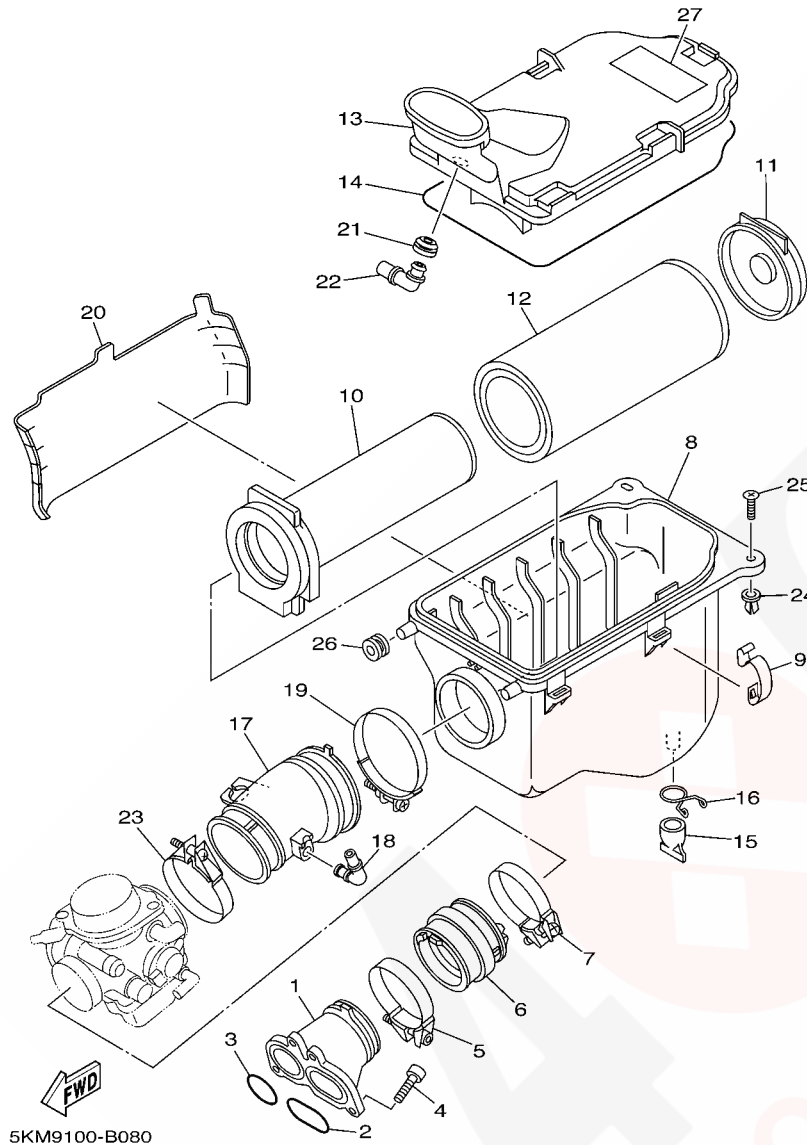
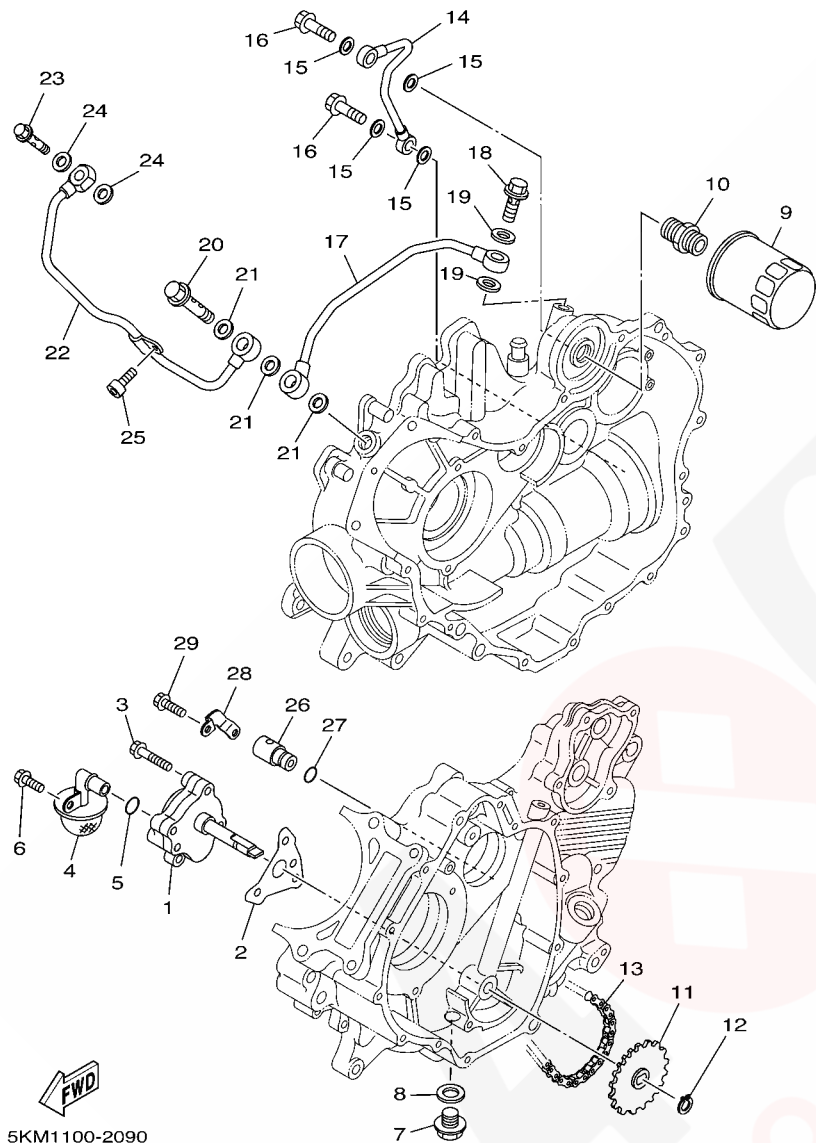


FIG. 8 INTAKE

REF. NO.	PART NO.	DESCRIPTION	USA	CAN	REMARKS
1	5KM-13586-00	JOINT, CARBURETOR 1	1	1	
2	93210-44545	O-RING	1	1	
3	93210-321A8	O-RING	1	1	
4	91317-06020	BOLT	4	4	
5	90450-65001	HOSE CLAMP ASSY	1	1	
6	5KM-13596-00	JOINT, CARBURETOR 2	1	1	
7	90460-59211	CLAMP, HOSE	1	1	
8	5KM-14411-10	CASE, AIR CLEANER 1	1	1	
9	5GH-14436-00	HOOK	5	5	
10	1UY-14458-01	GUIDE	1	1	
11	1UY-14468-00	PLATE,ELEMENT FITTING	1	1	
12	1UY-14451-00	ELEMENT, AIR CLEANER	1	1	
13	5KM-14412-10	CAP, CLEANER CASE 1	1	1	
14	5KM-14452-00	SEAL	1	1	
15	59V-14457-00	SEAL	1	1	
16	90467-22080	CLIP	1	1	
17	5KM-14453-00	JOINT, AIR CLEANER 1	1	1	
18	31A-14419-00	PIPE	1	1	
19	90460-75020	CLAMP, HOSE	1	1	
20	5KM-1442F-01	PROTECTOR	1	1	
21	31A-14435-00	GROMMET	1	1	
22	5KM-14419-00	PIPE	1	1	
23	90450-67001	HOSE CLAMP ASSY	1	1	
24	90338-08226	PLUG	2	2	
25	97707-60025	SCREW, TAPPING	2	2	
26	90480-18290	GROMMET	2	2	
27	5KM-2179T-10	PLATE, EPA 3(CALIFORNIA)	1		

FIG. 9 OIL PUMP

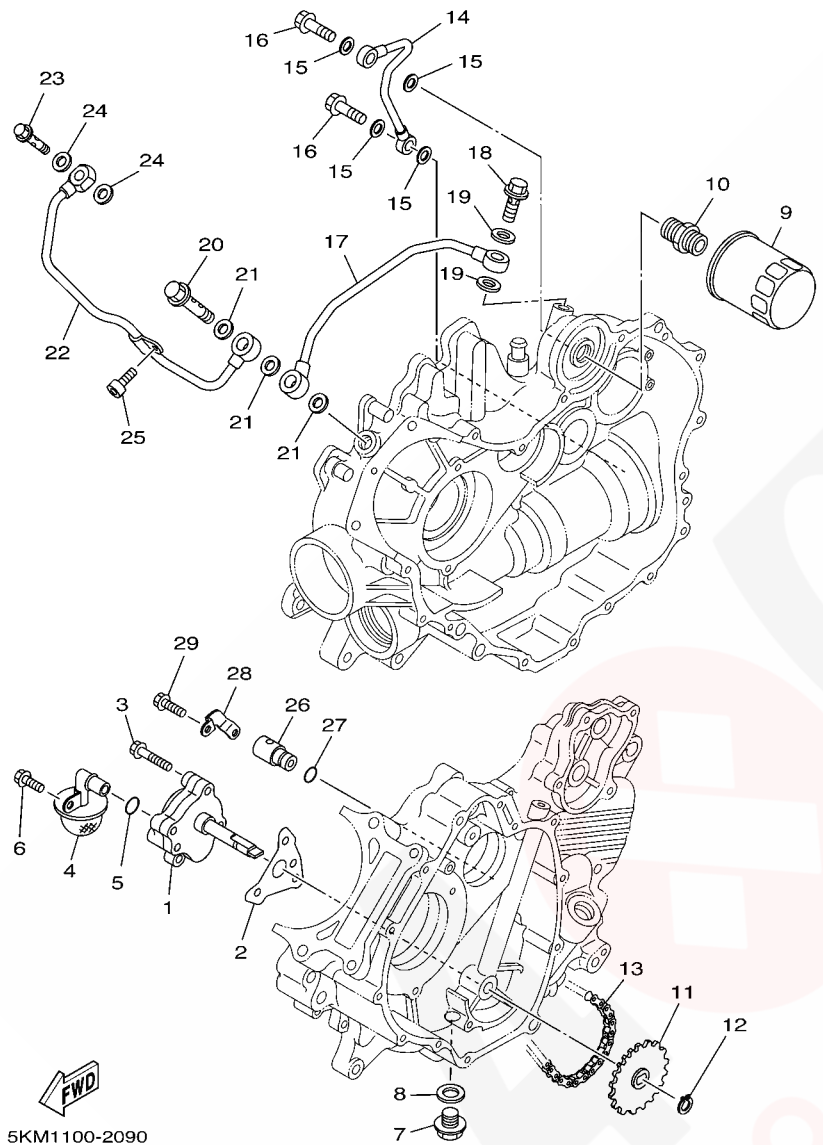


5KM1100-2090

REF. NO.	PART NO.	DESCRIPTION	USA	CAN	REMARKS
1	5KM-13300-00	OIL PUMP ASSY	1	1	
2	5KM-13329-00	GASKET, PUMP COVER	1	1	
3	95027-06040	BOLT, FLANGE	3	3	
4	5KM-13410-00	STRAINER HOUSING ASSY	1	1	
5	93210-14579	O-RING	1	1	
6	95027-06014	BOLT, FLANGE	1	1	
7	90340-14132	PLUG, STRAIGHT SCREW	1	1	
8	214-11198-01	GASKET	1	1	
9	5GH-13440-00	ELEMENT ASSY, OIL CLEANER	1	1	
10	90401-20145	BOLT, UNION	1	1	
11	5KM-13355-00	SPROCKET, DRIVEN	1	1	
12	99009-11400	CIRCLIP	1	1	
13	94581-94070	CHAIN (DID25SD DHA)	1	1	
14	3AJ-13161-01	PIPE, DELIVERY 1	1	1	
15	90430-08204	GASKET	4	4	
16	90401-08117	BOLT, UNION	2	2	
17	5KM-13171-00	PIPE, DELIVERY 2	1	1	
18	90401-14118	BOLT, UNION	1	1	
19	90430-14043	GASKET	2	2	
20	5KM-12858-00	BOLT, UNION	1	1	
21	90430-14043	GASKET	3	3	
22	5KM-13181-00	PIPE, DELIVERY 3	1	1	
23	90401-10159	BOLT, UNION	1	1	
24	90430-10188	GASKET	2	2	
25	91317-06012	BOLT	1	1	
26	5KM-13490-00	RELIEF VALVE ASSY	1	1	
27	93210-10096	O-RING	1	1	

**B13**

FIG. 9 OIL PUMP



5KM1100-2090

REF. NO.	PART NO.	DESCRIPTION	USA	CAN	REMARKS
28	5KM-1319K-00	PLATE	1	1	
29	95027-06012	BOLT, FLANGE	2	2	

**B14**

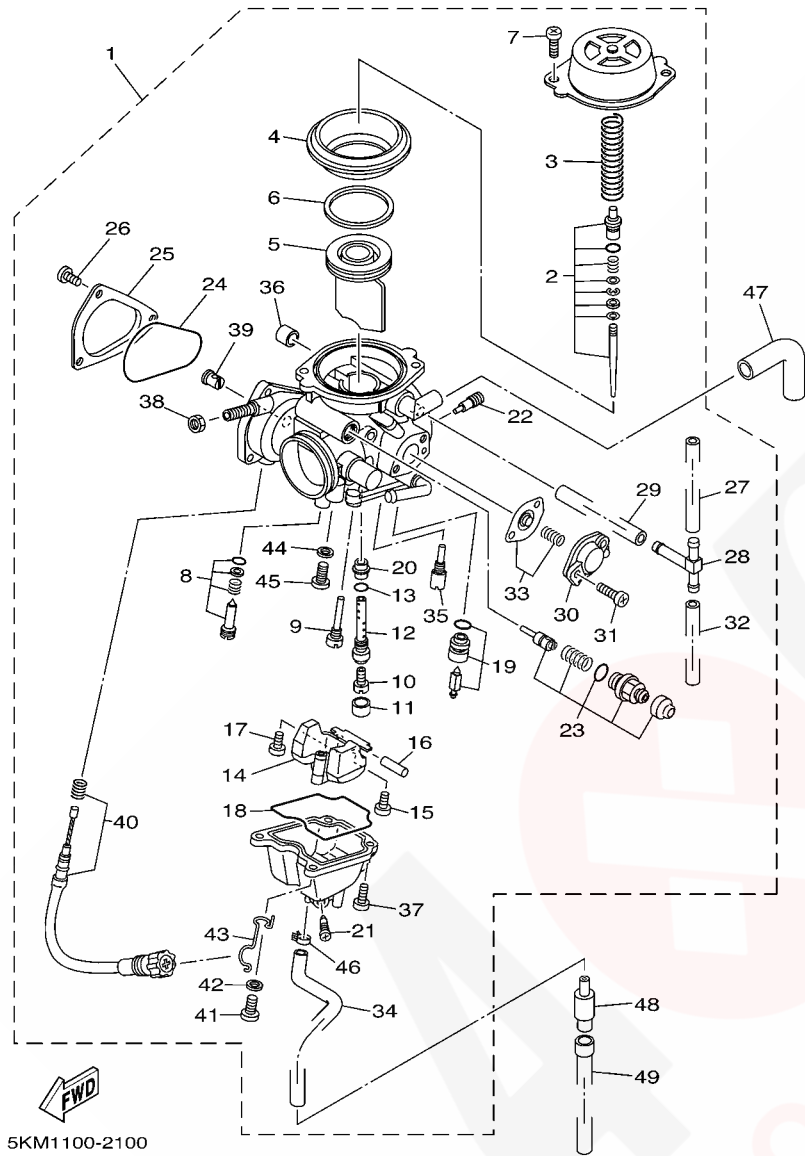
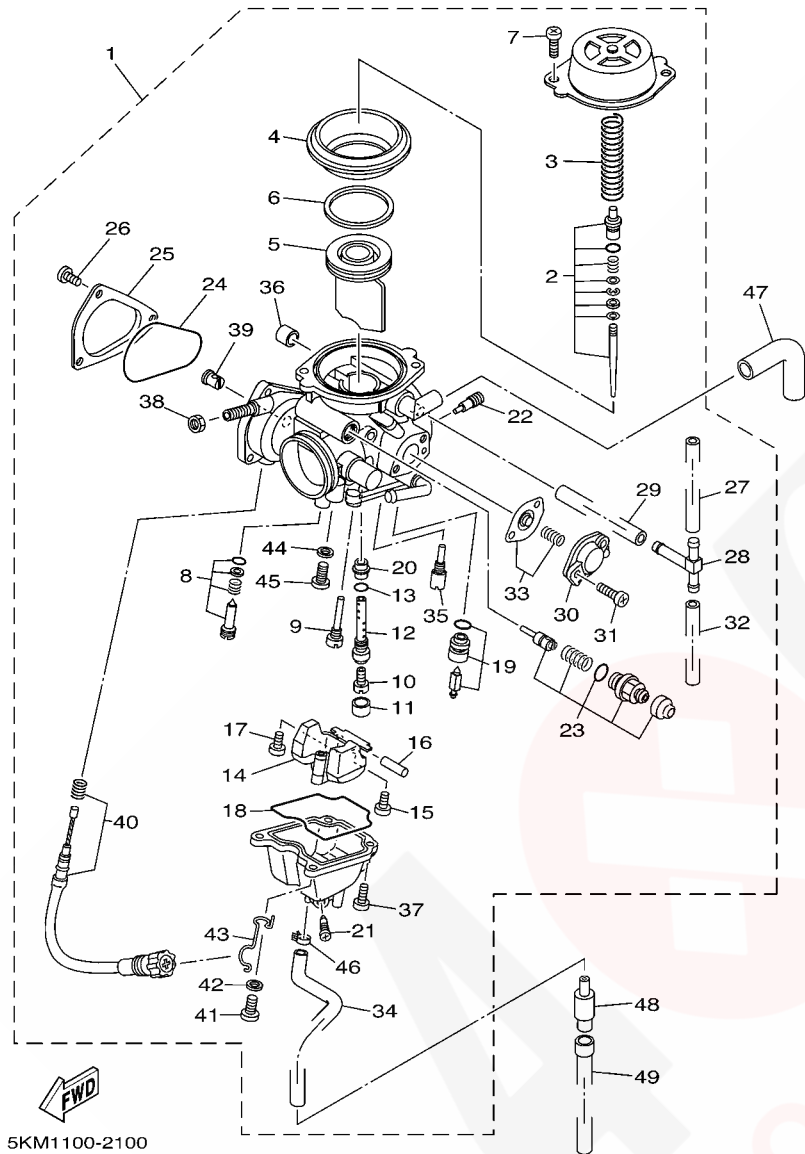


FIG. 10 CARBURETOR

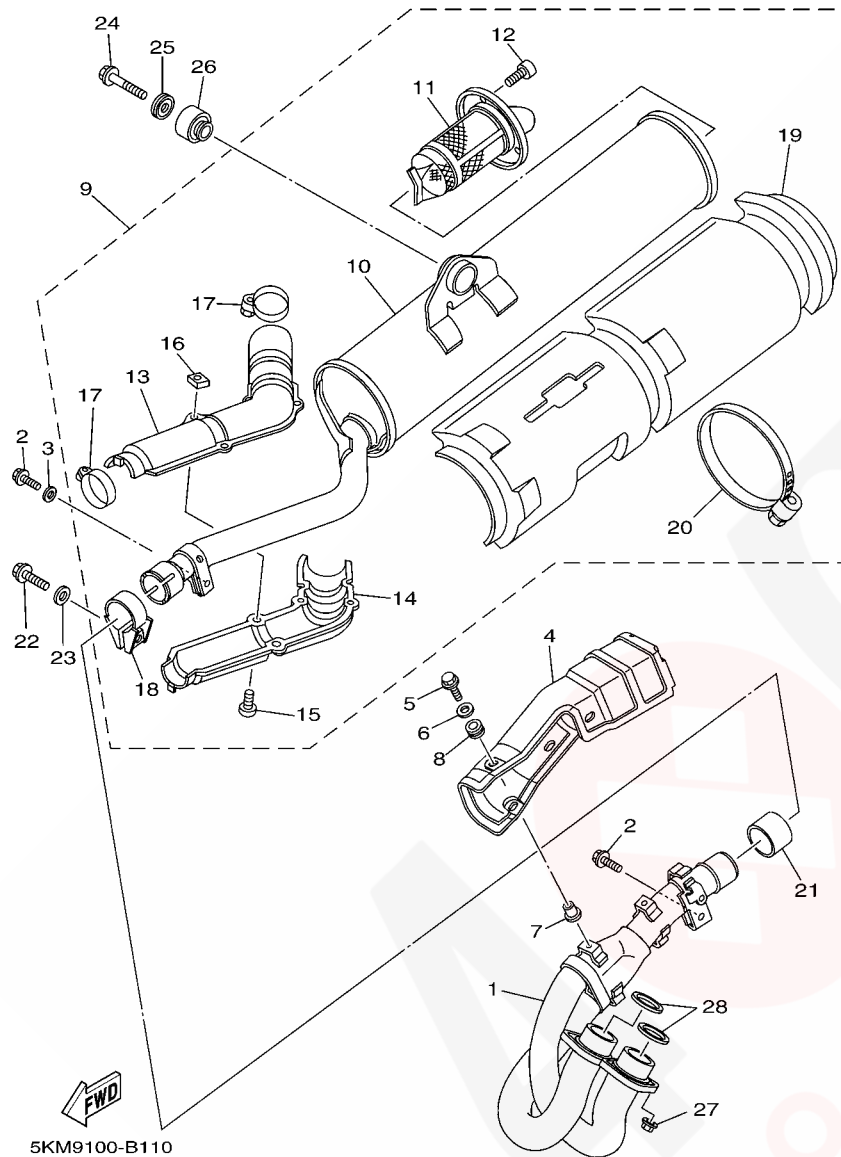
REF. NO.	PART NO.	DESCRIPTION	USA	CAN	REMARKS
1	5KM-14901-10	CARBURETOR ASSY 1	1	1	
2	5KM-1490J-00	.NEEDLE SET	1	1	
3	4KM-14933-00	.SPRING, DIAPHRAGM	1	1	
4	5KM-24411-00	.DIAPHRAGM	1	1	
5	5KM-14912-00	.VALVE, THROTTLE	1	1	
6	5KM-14918-00	.RING	1	1	
7	98507-05008	.SCREW, PAN HEAD	2	2	
8	5EA-14105-00	.PILOT SCREW SET	1	1	
9	3G2-14231-11	.JET, POWER (# 55)	1	1	
10	3G2-1423E-61	.JET, MAIN (#153.8)	1	1	
11	5GH-14918-00	.RING	1	1	
12	5GH-14261-00	.HOLDER	1	1	
13	583-14561-00	.O-RING	1	1	
14	5DM-14985-00	.FLOAT	1	1	
15	98507-04008	.SCREW, PAN HEAD	1	1	
16	127-14186-00	.PIN, FLOAT	1	1	
17	1FN-14565-00	.SCREW	1	1	
18	5DM-14561-00	.O-RING	1	1	
19	5KM-14190-30	.NEEDLE VALVE ASSY	1	1	
20	5DM-14141-30	.NOZZLE, MAIN	1	1	
21	12R-14191-00	.PLUG, DRAIN	1	1	
22	1HX-14231-12	.JET, MAIN (# 60)	1	1	
23	5KM-1410A-00	.STARTER SET	1	1	
24	4WV-14147-10	.O-RING	1	1	
25	4WV-14293-00	.COVER 1	1	1	
26	98507-04008	.SCREW, PAN HEAD	3	3	
27	5KM-14197-20	.PIPE	1	1	



5KM1100-2100

FIG. 10 CARBURETOR

REF. NO.	PART NO.	DESCRIPTION	USA	CAN	REMARKS
28	28V-14988-00	.PIPE, STARTER CONNECTING	1	1	
29	3YX-14197-00	.PIPE	1	1	
30	5AP-14280-00	.COVER, CARBURETOR	1	1	
31	97607-04114	.SCREW, WITH WASHER	2	2	
32	5KM-14197-10	.PIPE	1	1	
33	5KM-1490H-00	.DIAPHRAGM SET 5	1	1	
34	5KM-14193-00	.PIPE	1	1	
35	4KM-14142-40	.JET, PILOT (# 40)	1	1	
36	5KM-14968-00	.CAP	1	1	
37	98507-04010	.SCREW, PAN HEAD	3	3	
38	522-14161-00	.NUT, CABLE ADJUSTING	1	1	
39	1UY-14155-00	.GUIDE, CABLE	1	1	
40	5KM-14103-00	.THROTTLE SCREW SET	1	1	
41	98507-04014	.SCREW, PAN HEAD	1	1	
42	92907-04600	.WASHER	1	1	
43	5KM-14937-00	.CLIP	1	1	
44	256-14956-01	.WASHER	1	1	
45	3DM-14216-00	.SCREW	1	1	
46	90467-06194	.CLIP	1	1	
47	4WV-14349-00	PIPE	1	1	
48	24W-14193-00	PIPE	1	1	
49	91A20-07010	TUBE, FLEXIBLE VINYL	1	1	



5KM9100-B110

FIG. 11 EXHAUST

REF. NO.	PART NO.	DESCRIPTION	USA	CAN	REMARKS
1	5KM-14611-10	PIPE, EXHAUST 1	1	1	
2	95817-06020	BOLT, FLANGE	2	2	
3	90201-06778	WASHER, PLATE	1	1	
4	5KM-14628-10	PROTECTOR, EXHAUST PIPE	1	1	
5	95827-06016	BOLT, FLANGE	6	6	
6	90201-06778	WASHER, PLATE	6	6	
7	90387-061V4	COLLAR	6	6	
8	90480-01009	GROMMET	6	6	
9	5KM-14711-10	MUFFLER 1	1	1	
10	5KM-14721-00	.MUFFLER 1	1	1	
11	5KM-14752-00	.PIPE, OUTLET	1	1	
12	91380-06010	.BOLT	3	3	
13	5KM-14718-10	.PROTECTOR, MUFFLER 1	1	1	
14	5KM-14728-10	.PROTECTOR, MUFFLER 2	1	1	
15	98507-06010	.SCREW, PAN HEAD	4	4	
16	90173-06015	.NUT, SQUARE	4	4	
17	90450-32008	.HOSE CLAMP ASSY	2	2	
18	5KM-14715-00	.BAND, MUFFLER	1	1	
19	5KM-14738-00	.PROTECTOR, MUFFLER 3	1	1	
20	5KM-14788-00	.BAND, SILENCER	3	3	
21	3YF-14755-00	GASKET, SILENCER	1	1	
22	95817-08025	BOLT, FLANGE	1	1	
23	90201-086J0	WASHER, PLATE	1	1	
24	95807-08040	BOLT, FLANGE	1	1	
25	90209-08249	WASHER	1	1	
26	5KM-27414-01	DAMPER, FOOTREST	1	1	
27	90179-08410	NUT	4	4	
28					

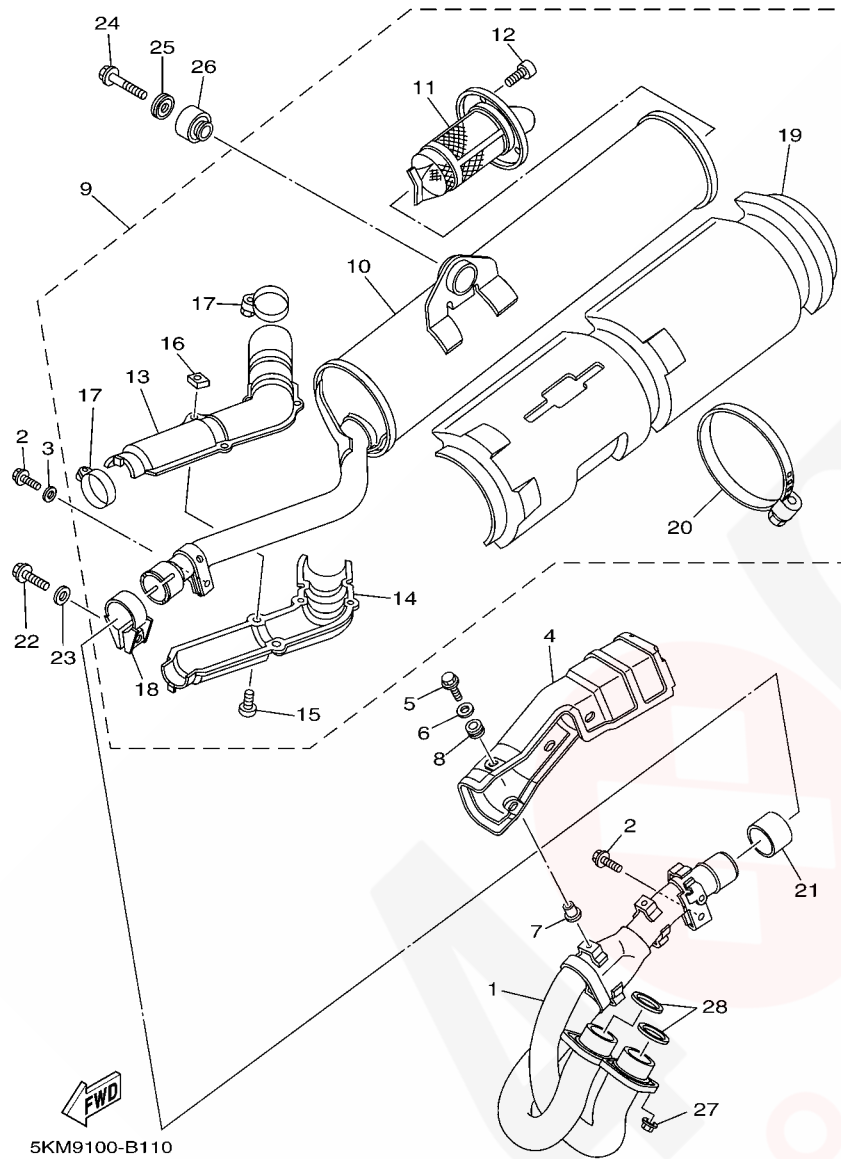
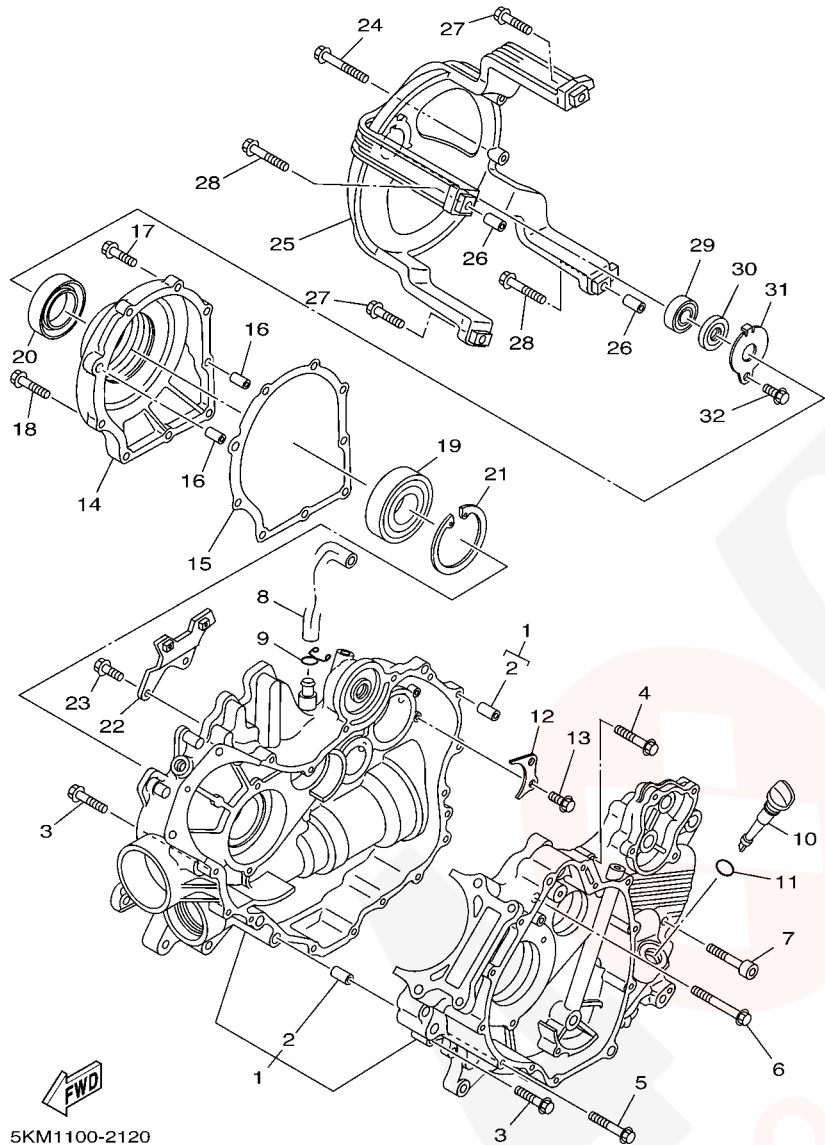


FIG. 11 EXHAUST

REF. NO.	PART NO.	DESCRIPTION	USA	CAN		REMARKS
28	3YF-14613-01	GASKET, EXHAUST PIPE	2	2		



FIG. 12 CRANKCASE

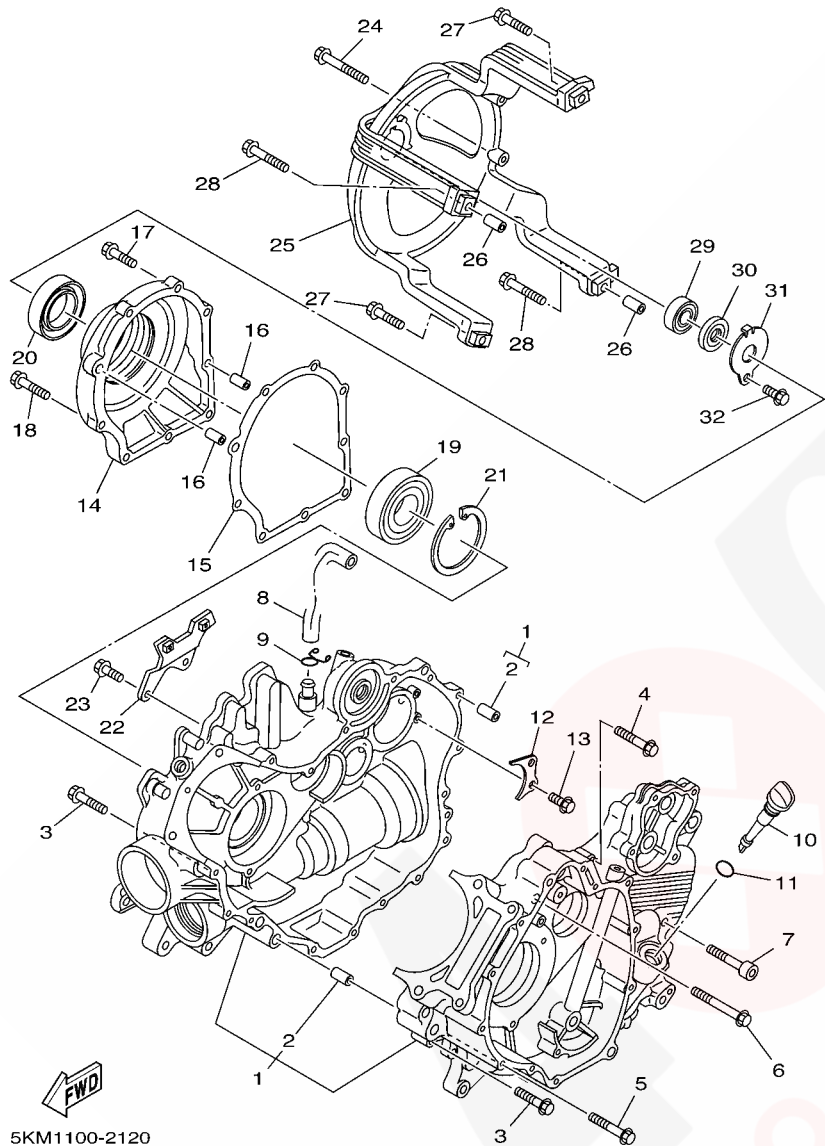


5KM1100-2120

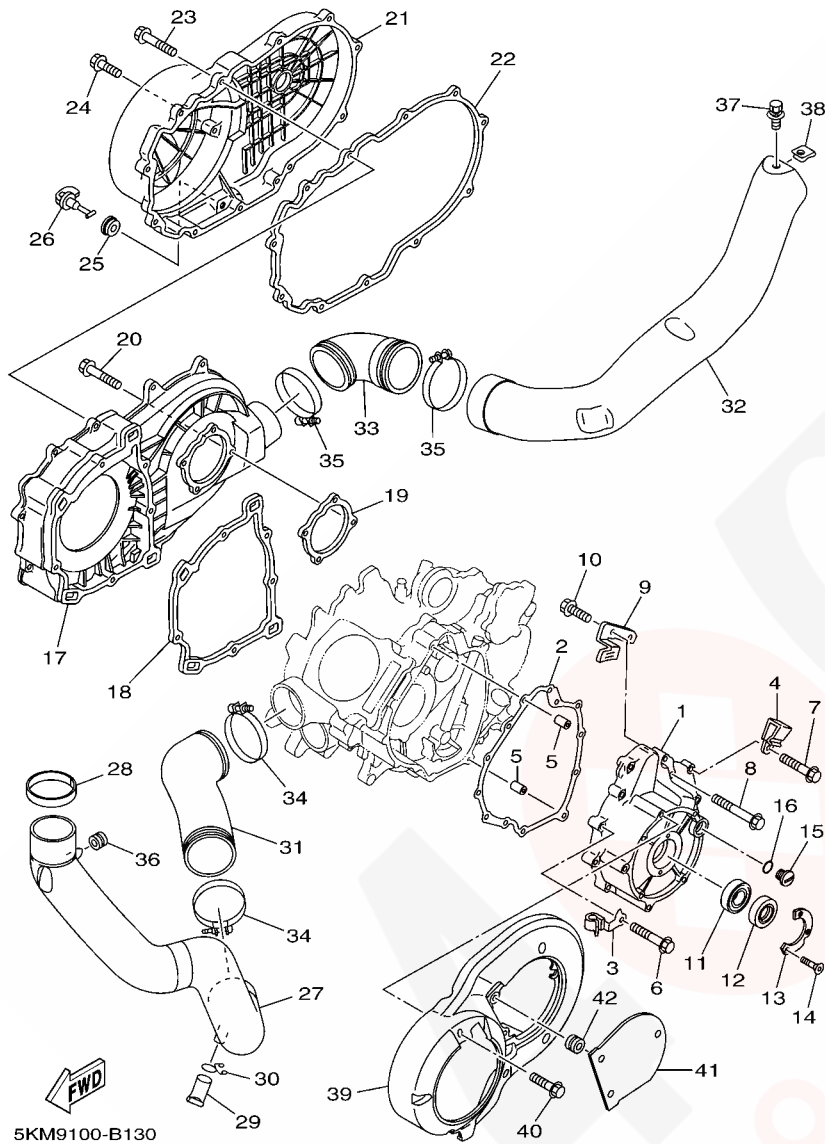
REF. NO.	PART NO.	DESCRIPTION	USA	CAN	REMARKS
1	5KM-15100-01	CRANKCASE ASSY	1	1	
2	99530-10116	.PIN, DOWEL	2	2	
3	95027-06030	BOLT, FLANGE	11	11	
4	90105-06031	BOLT, FLANGE	1	1	
5	95027-06040	BOLT, FLANGE	2	2	
6	95027-06055	BOLT, FLANGE	1	1	
7	91317-08040	BOLT	3	3	
8	5KM-11166-00	PIPE, BREATHER 1	1	1	
9	90467-14015	CLIP	1	1	
10	5KM-15362-00	PLUG, OIL LEVEL	1	1	
11	93210-19522	O-RING	1	1	
12	4WV-15388-00	PLATE, BEARING COVER	1	1	
13	95027-06016	BOLT, FLANGE	2	2	
14	5KM-15163-00	HOUSING, BEARING 1	1	1	
15	5KM-15463-00	GASKET, CARBURETOR COVER 2	1	1	
16	99530-10116	PIN, DOWEL	2	2	
17	95027-06030	BOLT, FLANGE	7	7	
18	95027-06040	BOLT, FLANGE	2	2	
19	93316-01003	BEARING	1	1	
20	93102-35004	OIL SEAL	1	1	
21	99009-80500	CIRCLIP	1	1	
22	5KM-15199-00	BRACKET	1	1	
23	95817-06016	BOLT, FLANGE	2	2	
24	95827-06050	BOLT, FLANGE	2	2	
25	5KM-15442-00	HOUSING, BEARING	1	1	
26	99530-10116	PIN, DOWEL	2	2	
27	95827-06030	BOLT, FLANGE	2	2	



FIG. 12 CRANKCASE



REF. NO.	PART NO.	DESCRIPTION	USA	CAN				REMARKS
28	95827-06040	BOLT, FLANGE	2	2				
29	93306-20120	BEARING	1	1				
30	93101-12168	OIL SEAL	1	1				
31	4WV-15381-00	PLATE, BEARING COVER	1	1				
32	95027-06012	BOLT, FLANGE	1	1				
-----								
-----								
-----								
-----								
-----								
-----								
-----								
-----								
-----								
-----								



5KM9100-B130

FIG. 13 CRANKCASE COVER 1

REF. NO.	PART NO.	DESCRIPTION	USA	CAN	REMARKS
1	5KM-15411-10	COVER, CRANKCASE 1	1	1	
2	5KM-15451-00	GASKET, CRANKCASE COVER 1	1	1	
3	90465-08361	CLAMP	1	1	
4	90465-05M87	CLAMP	1	1	
5	99530-10116	PIN, DOWEL	2	2	
6	95027-06030	BOLT, FLANGE	8	8	
7	90105-06031	BOLT, FLANGE	1	1	
8	95027-06040	BOLT, FLANGE	4	4	
9	5KM-15113-00	PLATE	1	1	
10	95027-06014	BOLT, FLANGE	2	2	
11	93306-07801	BEARING	1	1	
12	93102-28476	OIL SEAL	1	1	
13	21V-15719-00	WASHER, THRUST	1	1	
14	90151-05023	SCREW, COUNTERSUNK	2	2	
15	90340-14117	PLUG, STRAIGHT SCREW	1	1	
16	93210-14369	O-RING	1	1	
17	5KM-15421-00	COVER, CRANKCASE 2	1	1	
18	5KM-15453-00	GASKET	1	1	
19	5KM-15315-00	SEAL, CRANKCASE	1	1	
20	95827-06030	BOLT, FLANGE	7	7	
21	5KM-15431-00	COVER, CRANKCASE 3	1	1	
22	5KM-15379-00	SEAL, CRANKCASE	1	1	
23	95827-06025	BOLT, FLANGE	12	12	
24	95827-06016	BOLT, FLANGE	2	2	
25	90480-13018	GROMMET	1	1	
26	5KM-15351-00	PLUG, DRAIN	1	1	
27	5KM-15471-00	DUCT, AIR	1	1	

C7

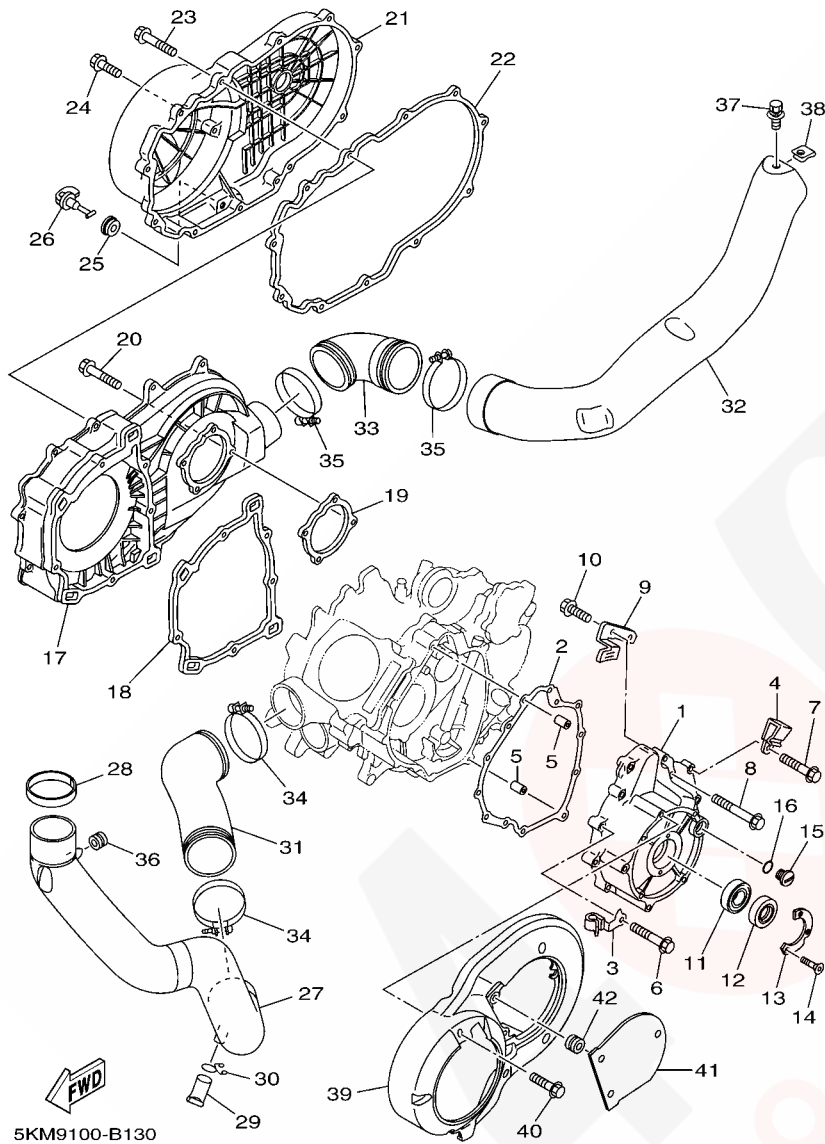
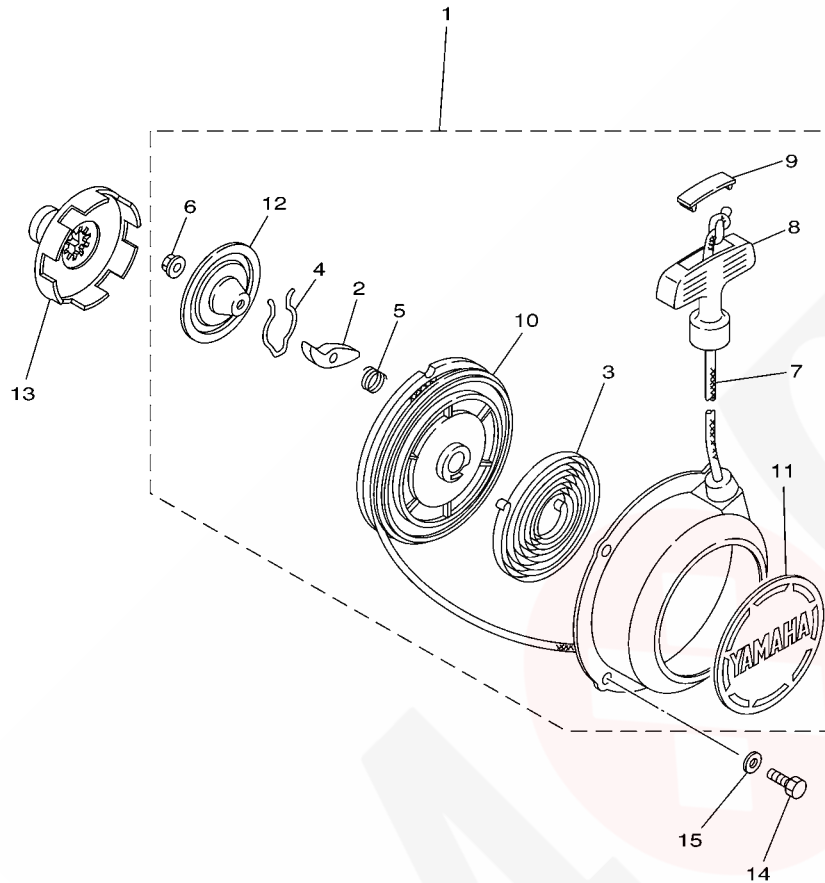


FIG. 13 CRANKCASE COVER 1

REF. NO.	PART NO.	DESCRIPTION	USA	CAN	REMARKS
28	5KM-15494-00	SEAL, PROTECTOR	1	1	
29	5BF-1443E-00	PIPE, DRAIN	1	1	
30	90467-16195	CLIP	1	1	
31	5KM-15472-10	SEAL, AIR DUCT	1	1	
32	5KM-15473-00	DUCT, AIR	1	1	
33	5KM-15474-00	SEAL, AIR DUCT	1	1	
34	90460-81224	CLAMP, HOSE	2	2	
35	90460-85135	CLAMP, HOSE	2	2	
36	90480-13398	GROMMET	1	1	
37	90119-06056	BOLT, WITH WASHER	1	1	
38	90183-06053	NUT, SPRING	1	1	
39	5KM-15423-00	COVER 2	1	1	
40	95827-06020	BOLT, FLANGE	6	6	
41	5GH-15413-00	COVER	1	1	
42	90480-13398	GROMMET	3	3	

FIG. 14 STARTER

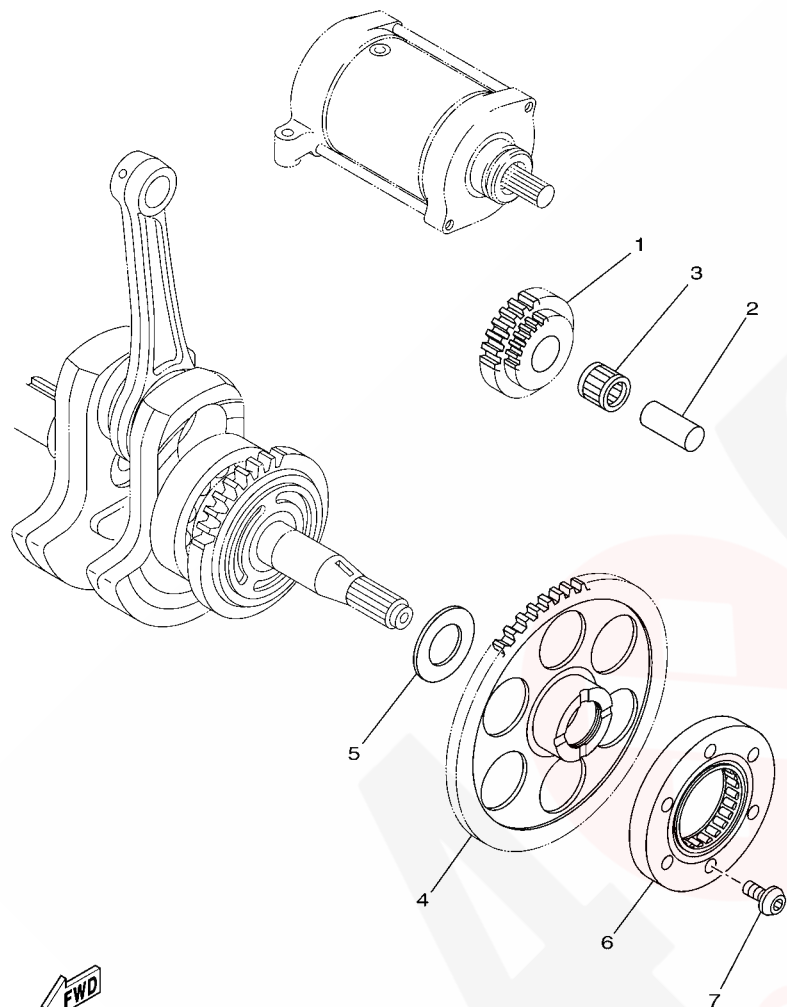


REF. NO.	PART NO.	DESCRIPTION	USA	CAN	REMARKS
1	5GH-15710-21	STARTER ASSY	1	1	
2	21V-15741-00	.PAWL, DRIVE	1	1	
3	21V-15713-00	.SPRING, STARTER	1	1	
4	21V-15715-01	.SPRING, FRICTION	1	1	
5	21V-15767-00	.SPRING	1	1	
6	95702-06500	.NUT, FLANGE	1	1	
7	21V-15751-00	.WIRE, STARTER	1	1	
8	3X3-15755-00	.HANDLE, STARTER	1	1	
9	21V-15779-00	.COVER	1	1	
10	24W-15714-00	.DRUM, SHEAVE	1	1	
11	5GH-15443-01	.EMBLEM	1	1	
12	21V-15716-01	.PLATE, DRIVE	1	1	
13	5KM-15723-00	PULLEY, STARTER	1	1	
14	97017-06014	BOLT	4	4	
15	92907-06600	WASHER, PLATE	4	4	



5KM1100-2140

FIG. 15 STARTER CLUTCH



REF. NO.	PART NO.	DESCRIPTION	USA	CAN	REMARKS
1	5GH-15512-00	GEAR, IDLER 1	1	1	
2	5KM-15522-00	SHAFT 2	1	1	
3	93310-212R6	BEARING	1	1	
4	5KM-15517-10	GEAR, IDLER 2	1	1	
5	90201-25291	WASHER, PLATE	1	1	
6	5KM-15590-00	STARTER ONE-WAY ASSY	1	1	
7	91317-08018	BOLT	3	3	

  
5KM9100-B150

**C10**

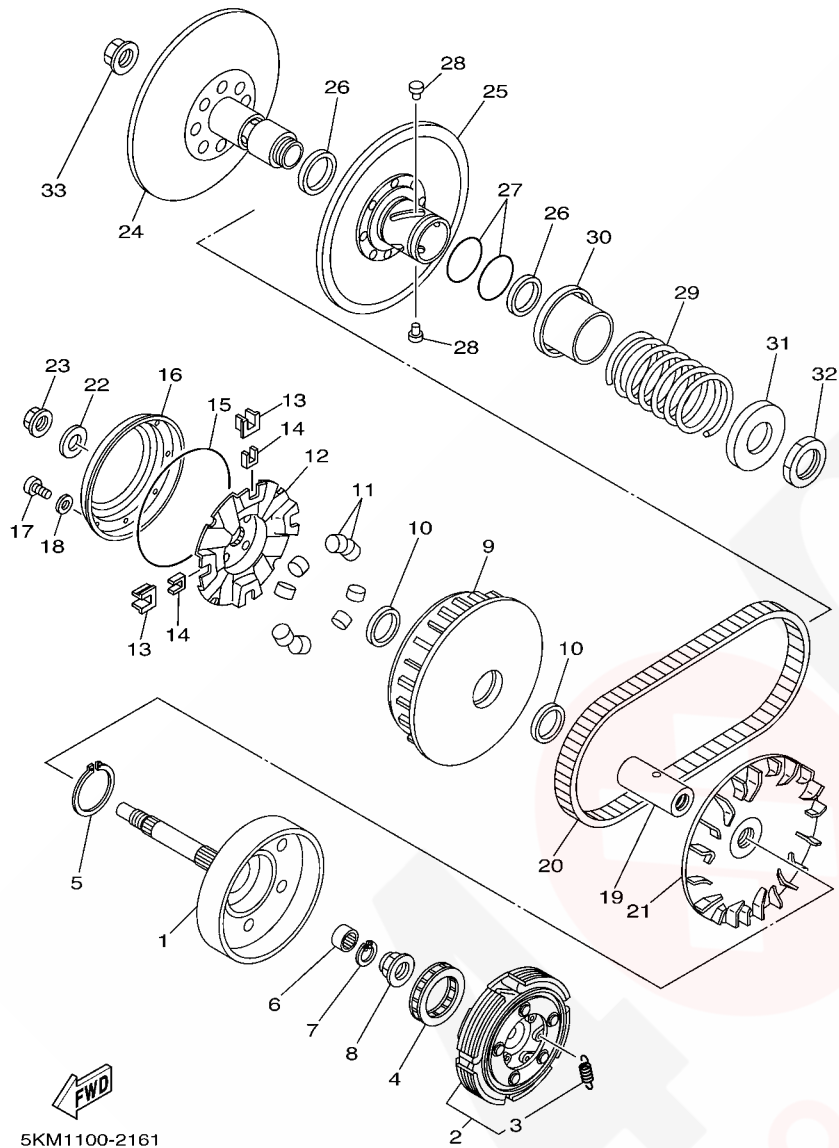


FIG. 16 CLUTCH

REF. NO.	PART NO.	DESCRIPTION	USA	CAN	REMARKS
1	5KM-16611-00	CLUTCH HOUSING COMP.	1	1	
2	5KM-16620-00	CLUTCH CARRIER ASSY	1	1	
3	5KM-16626-00	.SPRING, CLUTCH WEIGHT 1	5	5	
4	4SH-16664-00	BEARING, ONE WAY	1	1	
5	93410-46079	CIRCLIP	1	1	
6	93315-21813	BEARING	1	1	
7	93450-24062	CIRCLIP	1	1	
8	90179-22005	NUT	1	1	
9	5KM-17620-00	PRIMARY SLIDING SHEAVE COMP.	1	1	
10	93101-35001	OIL SEAL	2	2	
11	5KM-17632-00	WEIGHT	8	8	
12	5KM-17623-00	CAM	1	1	
13	4WV-17653-00	SLIDER	4	4	
14	4WV-17654-01	SPACER 1	4	4	
15	93211-594A4	O-RING	1	1	
16	4WV-17639-10	STOPPER	1	1	
17	90157-04088	SCREW, PAN HEAD	8	8	
18	90201-047R9	WASHER, PLATE	8	8	
19	5KM-17645-00	COLLAR	1	1	
20	5KM-17641-00	V-BELT	1	1	
21	5KM-17611-00	SHEAVE, PRIMARY FIXED	1	1	
22	90201-190T7	WASHER, PLATE	1	1	
23	90179-16690	NUT	1	1	
24	4WV-17660-10	SECONDARY FIXED SHEAVE COMP.	1	1	
25	4WV-17670-00	SECONDARY SLIDING SHEAVE	1	1	
26	93104-41119	OIL SEAL	2	2	
27	93210-44545	O-RING	2	2	

C11

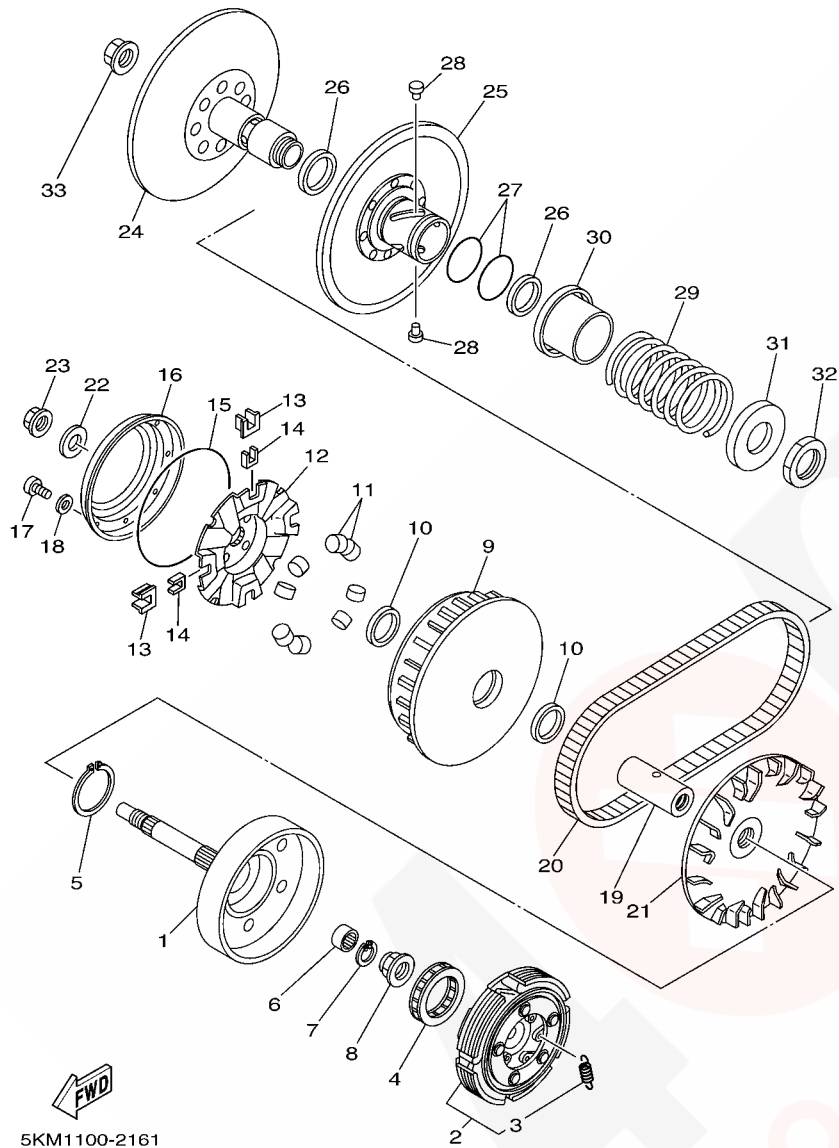


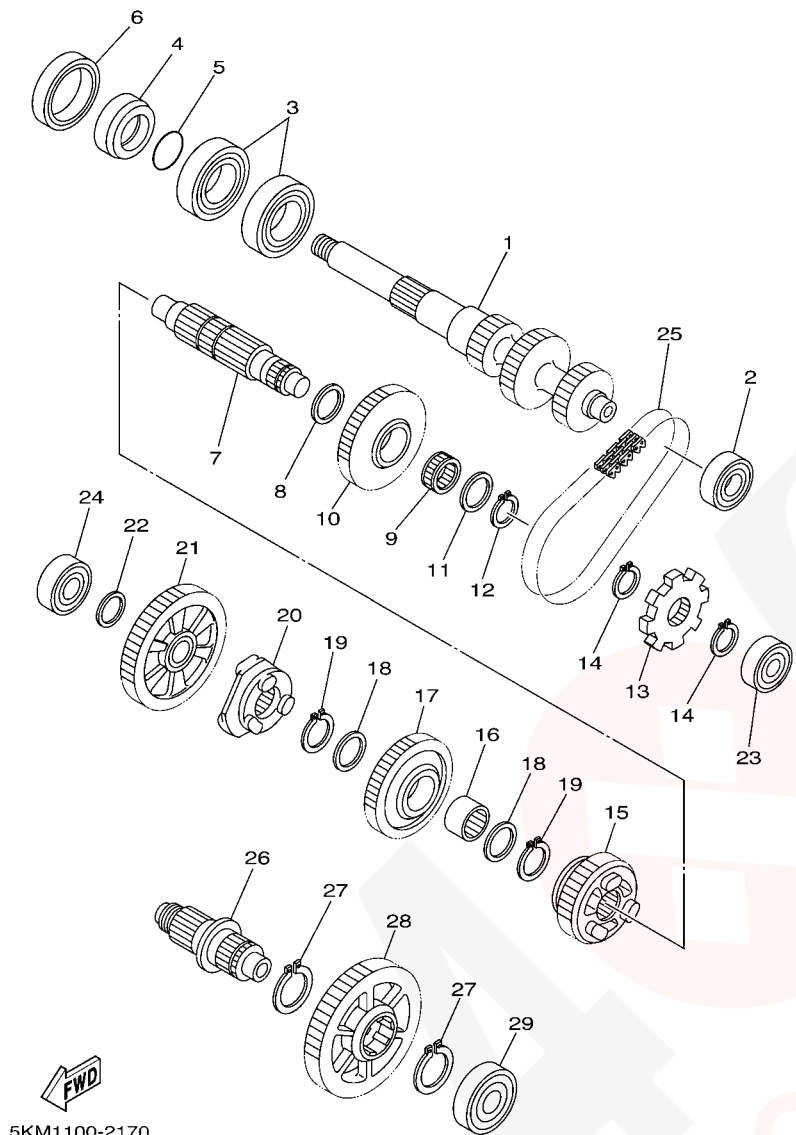
FIG. 16 CLUTCH

REF. NO.	PART NO.	DESCRIPTION	USA	CAN	REMARKS
28	4CW-17664-00	PIN, GUIDE	4	4	
29	90501-65001	SPRING, COMPRESSION	1	1	
30	4WV-17684-00	SEAT, SECONDARY SPRING	1	1	
31	4WV-17644-00	SEAT, SPRING	1	1	
32	90170-36279	NUT	1	1	
33	90179-16690	NUT	1	1	

C12



FIG. 17 TRANSMISSION

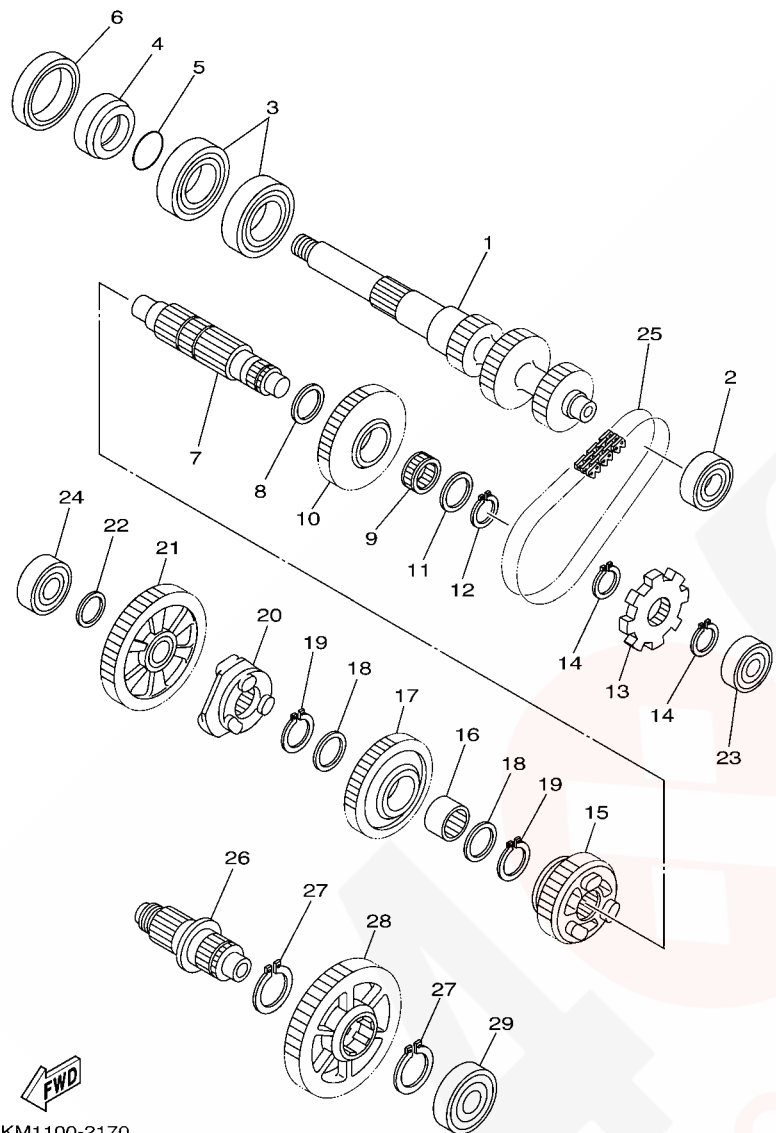


5KM1100-2170

REF. NO.	PART NO.	DESCRIPTION	USA	CAN	REMARKS
1	5KM-17681-00	SHAFT, SECONDARY	1	1	
2	93306-20321	BEARING	1	1	
3	93306-00612	BEARING	2	2	
4	90387-26001	COLLAR	1	1	
5	93210-26001	O-RING	1	1	
6	93102-42004	OIL SEAL	1	1	
7	5KM-17402-01	DRIVE AXLE ASSY	1	1	
8	90201-20278	WASHER, PLATE	1	1	
9	93310-420F2	BEARING	1	1	
10	5KM-17453-00	SPROCKET, DRIVEN (25T)	1	1	
11	90201-20278	WASHER, PLATE	1	1	
12	93410-20038	CIRCLIP	1	1	
13	5KM-17473-00	STOPPER	1	1	
14	93410-20038	CIRCLIP	2	2	
15	5KM-17582-10	GEAR, MIDDLE DRIVE (24T)	1	1	
16	90387-250R3	COLLAR	1	1	
17	5KM-17223-00	GEAR, HIGH WHEEL (28T)	1	1	
18	90209-22082	WASHER (T=0.5)	2	2	
19	93440-25084	CIRCLIP	2	2	
20	5KM-17285-00	CLUTCH, DOG	1	1	
21	5KM-17233-00	GEAR, LOW WHEEL (37T)	1	1	
22	90201-17255	WASHER, PLATE	1	1	
23	93306-20221	BEARING	1	1	
24	93306-20332	BEARING	1	1	
25	94591-54034	CHAIN (23RH302-34ASM)	1	1	
26	5KM-17523-10	SHAFT	1	1	
27	93440-25084	CIRCLIP	2	2	



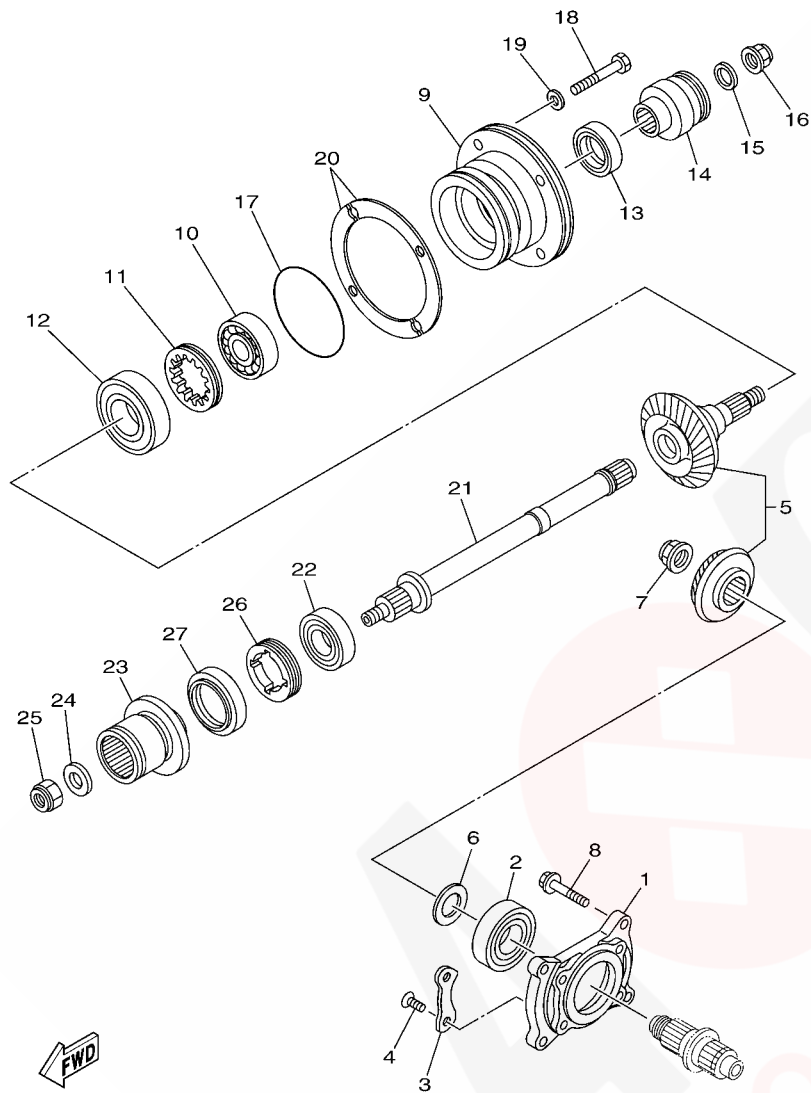
FIG. 17 TRANSMISSION



5KM1100-2170

REF. NO.	PART NO.	DESCRIPTION	USA	CAN	REMARKS
28	5KM-17583-10	GEAR, MIDDLE DRIVEN (39T)	1	1	
29	93306-30318	BEARING	1	1	

C14

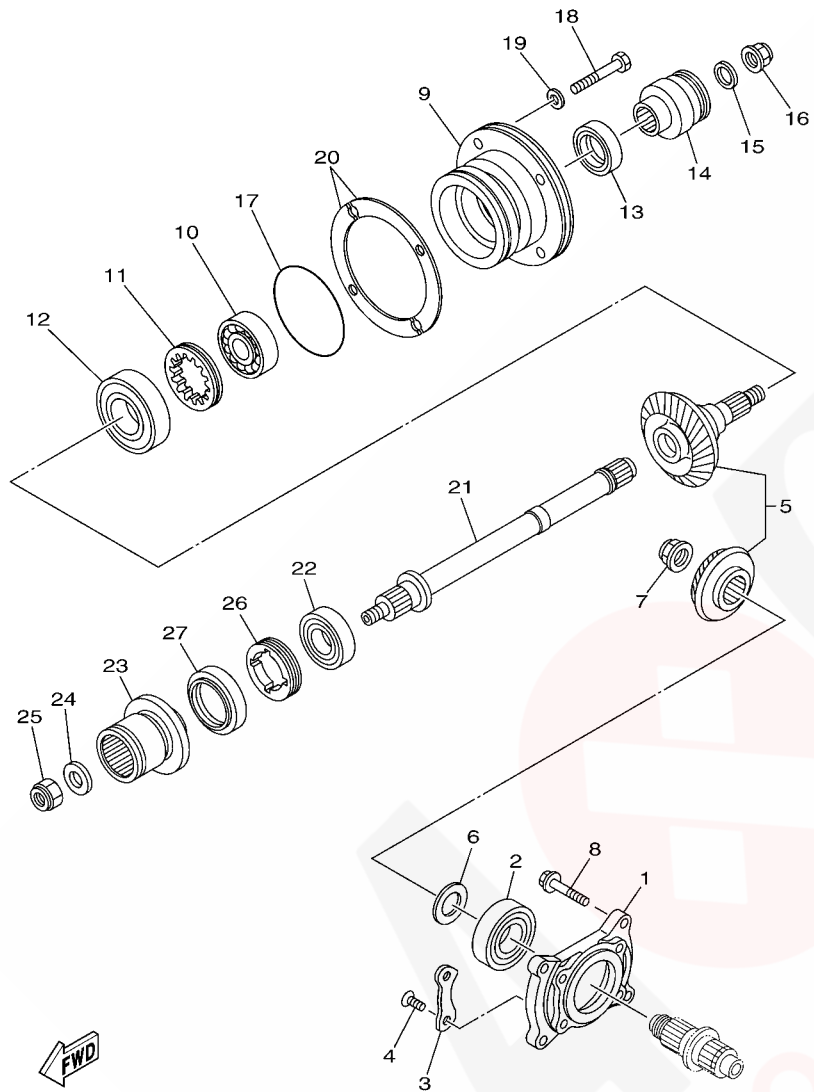


5KM9100-B180

FIG. 18 MIDDLE DRIVE GEAR

REF. NO.	PART NO.	DESCRIPTION	USA	CAN	REMARKS
1	5KM-17521-00	HOUSING, BEARING	1	1	
2	93306-30537	BEARING	1	1	
3	11H-15383-02	PLATE, BEARING COVER	2	2	
4	90149-08152	SCREW	4	4	
5	5KM-Y1754-10	MIDDLE GEAR COMP.	1	1	
6	5KM-17531-00	SHIM, PINION (0.1T)	1	1	UR
	5KM-17531-10	SHIM, PINION (0.15T)	1	1	UR
	5KM-17531-20	SHIM, PINION (0.2T)	1	1	UR
	5KM-17531-30	SHIM, PINION (0.3T)	1	1	UR
	5KM-17531-40	SHIM, PINION (0.4T)	1	1	UR
	5KM-17531-50	SHIM, PINION (0.5T)	1	1	UR
7	90179-22526	NUT	1	1	
8	95817-08030	BOLT, FLANGE	4	4	
9	5KM-17551-00	HOUSING, BEARING	1	1	
10	93306-37206	BEARING	1	1	
11	90179-60001	NUT	1	1	
12	93306-20715	BEARING	1	1	
13	93102-30170	OIL SEAL	1	1	
14	5KM-17832-00	COUPLING	1	1	
15	90201-170M2	WASHER, PLATE	1	1	
16	90179-16661	NUT	1	1	
17	93210-78544	O-RING	1	1	
18	97027-08030	BOLT	4	4	
19	92907-08600	WASHER, PLATE	4	4	
20	4KB-17531-00	SHIM, PINION (0.10T)	2	2	UR
	4KB-17531-10	SHIM, PINION (0.15T)	2	2	UR
	4KB-17531-20	SHIM, PINION (0.20T)	2	2	UR

C15



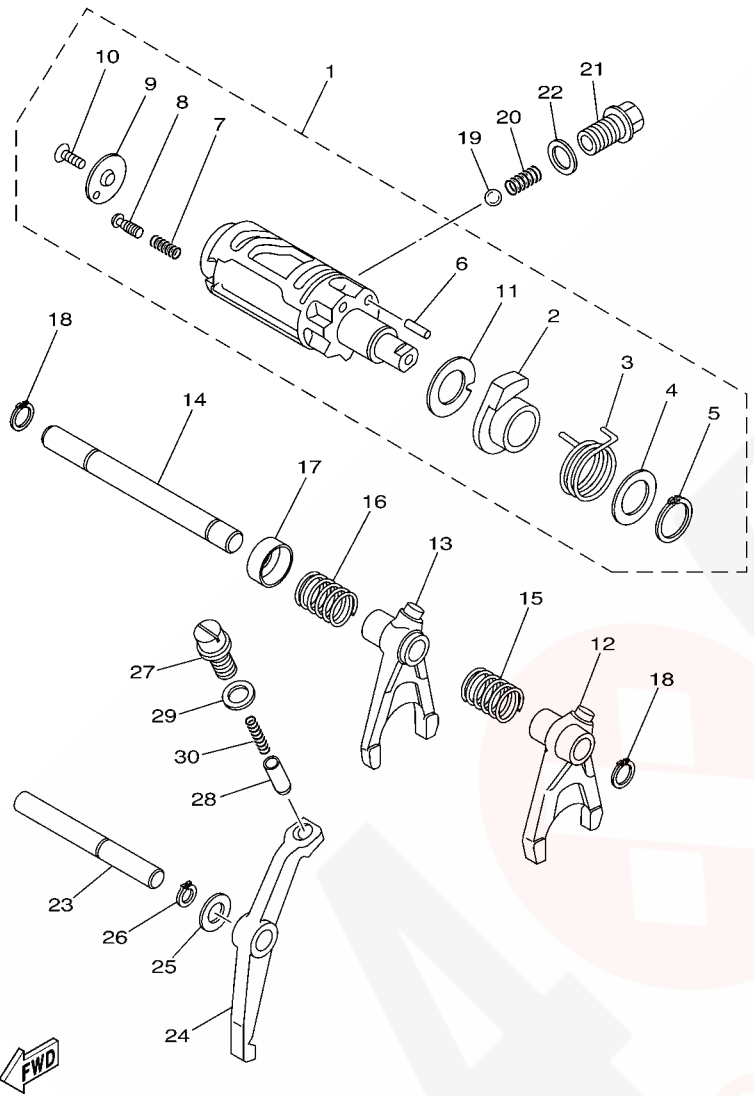
5KM9100-B180



FIG. 18 MIDDLE DRIVE GEAR

REF. NO.	PART NO.	DESCRIPTION	USA	CAN	REMARKS
20	4KB-17531-30	SHIM, PINION (0.30T)	2	2	UR
	4KB-17531-40	SHIM, PINION (0.40T)	2	2	UR
	4KB-17531-50	SHIM, PINION (0.50T)	2	2	UR
	4KB-17531-60	SHIM, PINION (0.60T)	2	2	UR
21	5KM-1761A-10	SHAFT, 1	1	1	
22	93306-20597	BEARING	1	1	
23	5KM-45593-00	FLANGE, COUPLING 1	1	1	
24	90201-14633	WASHER, PLATE	1	1	
25	90185-14070	NUT, SELF-LOCKING	1	1	
26	90179-55660	NUT	1	1	
27	93102-44454	OIL SEAL	1	1	

FIG. 19 SHIFT CAM & FORK

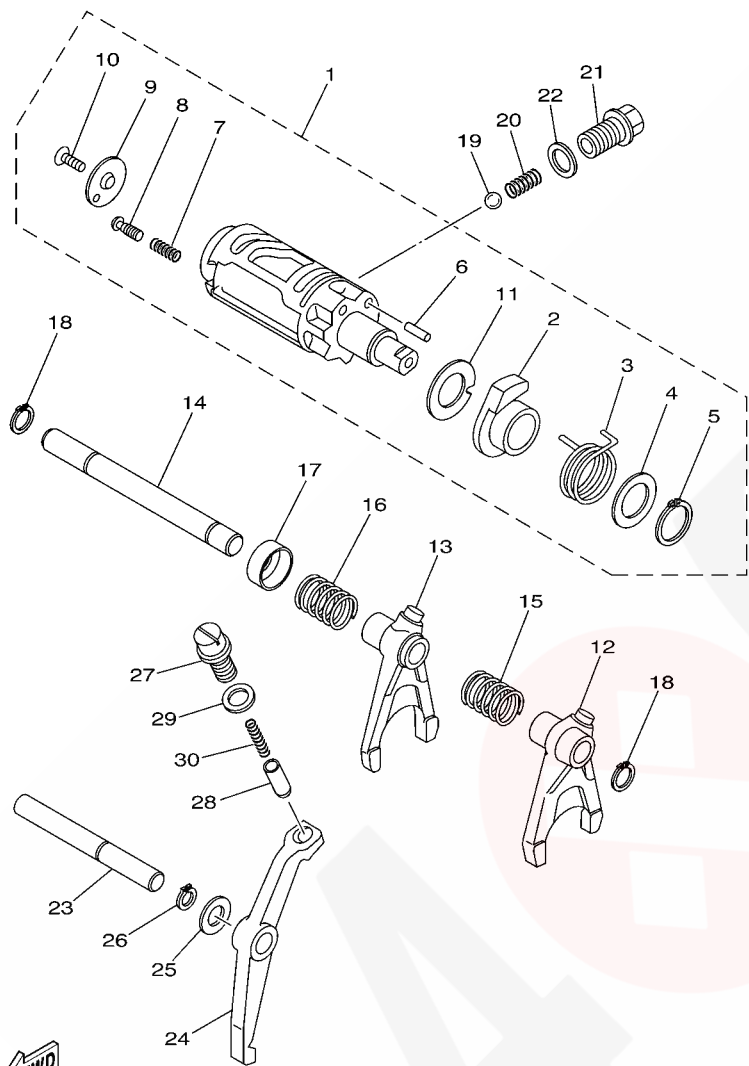


5KM1100-2190

REF. NO.	PART NO.	DESCRIPTION	USA	CAN	REMARKS
1	5KM-18540-00	SHIFT CAM ASSY	1	1	
2	5KM-18171-00	.CAM, LEVER	1	1	
3	90508-32018	.SPRING, TORSION	1	1	
4	90201-20792	.WASHER, PLATE	1	1	
5	93410-20038	.CIRCLIP	1	1	
6	93604-18100	.PIN, DOWEL	1	1	
7	90501-06022	.SPRING, COMPRESSION	1	1	
8	5KM-18542-00	.POINT, NEUTRAL	1	1	
9	4UN-18566-00	.PLATE, SIDE 2	1	1	
10	90149-05321	.SCREW	1	1	
11	5KM-18331-00	.PLATE, SHIFT CAM	1	1	
12	5KM-18511-00	FORK, SHIFT 1	1	1	
13	5KM-18512-00	FORK, SHIFT 2	1	1	
14	5KM-18531-00	BAR, SHIFT FORK GUIDE 1	1	1	
15	90501-12016	SPRING, COMPRESSION	1	1	
16	90501-16002	SPRING, COMPRESSION	1	1	
17	5KM-18323-00	CAP, SPRING	1	1	
18	99009-12400	CIRCLIP	2	2	
19	93503-08007	BALL	1	1	
20	90501-10353	SPRING, COMPRESSION	1	1	
21	90105-14367	BOLT, FLANGE	1	1	
22	90430-14194	GASKET	1	1	
23	5KM-18318-00	SHAFT, SHIFTER	1	1	
24	5KM-18148-00	LEVER, STOPPER	1	1	
25	90201-127J6	WASHER, PLATE	1	1	
26	99009-12400	CIRCLIP	1	1	
27	90149-14001	SCREW	1	1	

D3

FIG. 19 SHIFT CAM & FORK



5KM1100-2190

REF. NO.	PART NO.	DESCRIPTION	USA	CAN	REMARKS
28	1J7-18547-00	STOPPER, CAM	1	1	
29	90430-14043	GASKET	1	1	
30	90501-12004	SPRING, COMPRESSION	1	1	

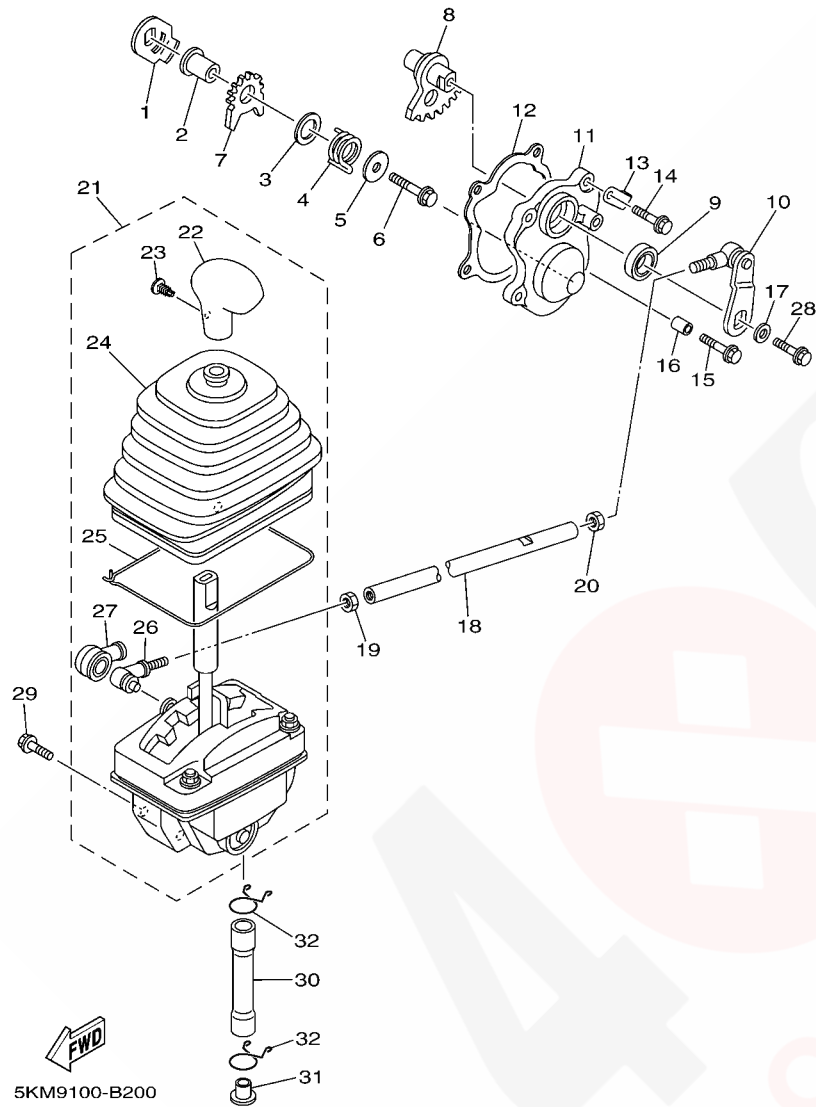
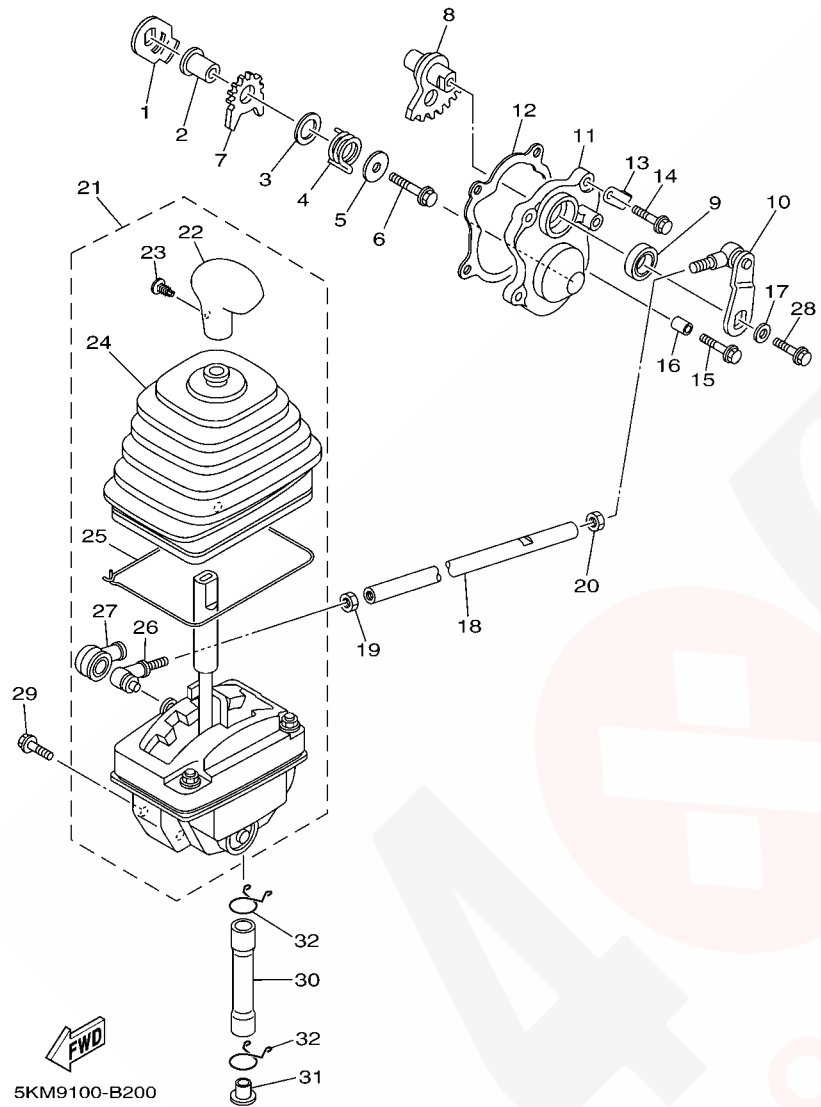


FIG. 20 SHIFT SHAFT

REF. NO.	PART NO.	DESCRIPTION	USA	CAN	REMARKS
1	4SH-18198-00	LEVER	1	1	
2	90387-0613B	COLLAR	1	1	
3	90201-132G5	WASHER, PLATE	1	1	
4	90508-35764	SPRING, TORSION	1	1	
5	90201-06008	WASHER, PLATE	1	1	
6	95817-06035	BOLT, FLANGE	1	1	
7	5KM-18191-00	LEVER	1	1	
8	5KM-18197-00	SHAFT	1	1	
9	93102-15212	OIL SEAL	1	1	
10	5KM-18104-00	SHIFT GUIDE COMP.	1	1	
11	5KM-18129-00	COVER, SHIFT SHAFT	1	1	
12	5KM-18146-00	GASKET	1	1	
13	90465-10026	CLAMP	1	1	
14	95027-06020	BOLT, FLANGE	3	3	
15	95027-06030	BOLT, FLANGE	1	1	
16	99530-08012	PIN, DOWEL	1	1	
17	90201-06008	WASHER, PLATE	1	1	
18	5KM-18115-10	ROD, SHIFT	1	1	
19	90170-08358	NUT	1	1	
20	95307-08700	NUT	1	1	
21	5KM-18300-01	SHIFTER ASSY	1	1	
22	5GH-18174-00	.KNOB, SHIFT LEVER	1	1	
23	90269-05055	.RIVET	1	1	
24	5KM-18131-00	.BOOT, SEALING	1	1	
25	5GH-18617-00	.STOPPER,RUBBER	1	1	
26	1KT-18157-00	.JOINT 2	1	1	
27	2H9-18154-00	.COVER, DUST	1	1	

D5

FIG. 20 SHIFT SHAFT



REF. NO.	PART NO.	DESCRIPTION	USA	CAN	REMARKS
28	95817-06016	BOLT, FLANGE	1	1	
29	95807-08020	BOLT, FLANGE	3	3	
30	90446-16001	HOSE (L90)	1	1	
31	90338-12081	PLUG	1	1	
32	90467-15012	CLIP	2	2	
-----					
-----					
-----					
-----					
-----					
-----					
-----					
-----					
-----					
-----					

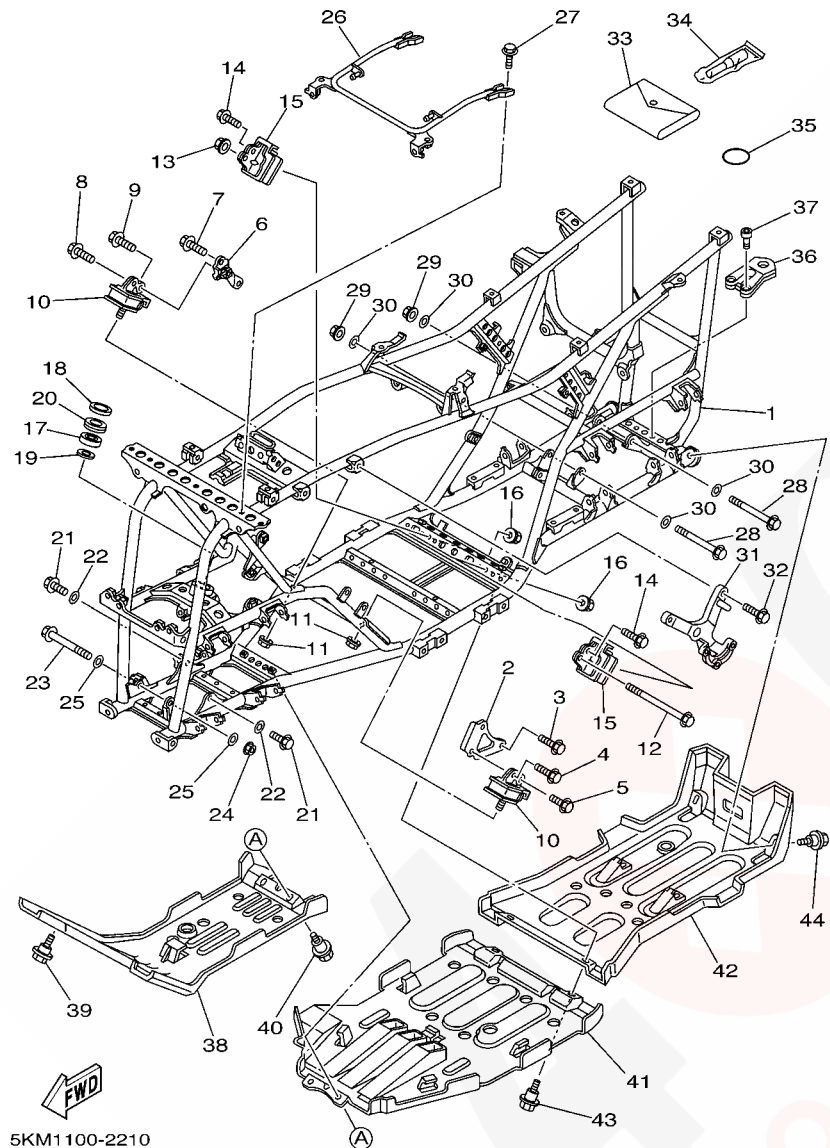


FIG. 21 FRAME

REF. NO.	PART NO.	DESCRIPTION	USA	CAN	REMARKS
1	5KM-21110-10	FRAME COMP.	1	1	
2	5KM-21315-00	STAY, ENGINE 2	1	1	
3	95817-08020	BOLT, FLANGE	2	2	
4	95817-08016	BOLT, FLANGE	1	1	
5	95027-06016	BOLT, FLANGE	1	1	
6	5KM-21316-00	STAY, ENGINE 3	1	1	
7	95817-08020	BOLT, FLANGE	2	2	
8	95817-08016	BOLT, FLANGE	1	1	
9	95027-06016	BOLT, FLANGE	1	1	
10	5KM-21485-10	DAMPER, RUBBER 1	2	2	
11	95607-10200	NUT, SELF-LOCKING	2	2	
12	90105-10300	BOLT, FLANGE	1	1	
13	95607-10200	NUT, SELF-LOCKING	1	1	
14	95027-06016	BOLT, FLANGE	2	2	
15	5KM-21486-10	DAMPER 2	2	2	
16	95607-10200	NUT, SELF-LOCKING	2	2	
17	93306-20331	BEARING	1	1	
18	93102-25081	OIL SEAL	1	1	
19	93102-25099	OIL SEAL	1	1	
20	5GT-23872-00	HOLDER, BEARING	1	1	
21	95817-10030	BOLT, FLANGE	2	2	
22	90201-101J1	WASHER, PLATE	2	2	
23	90105-10051	BOLT, FLANGE	1	1	
24	95607-10200	NUT, SELF-LOCKING	1	1	
25	90201-101J1	WASHER, PLATE	2	2	
26	5KM-21513-00	STAY, FENDER 1	1	1	
27	95827-06012	BOLT, FLANGE	2	2	

D7



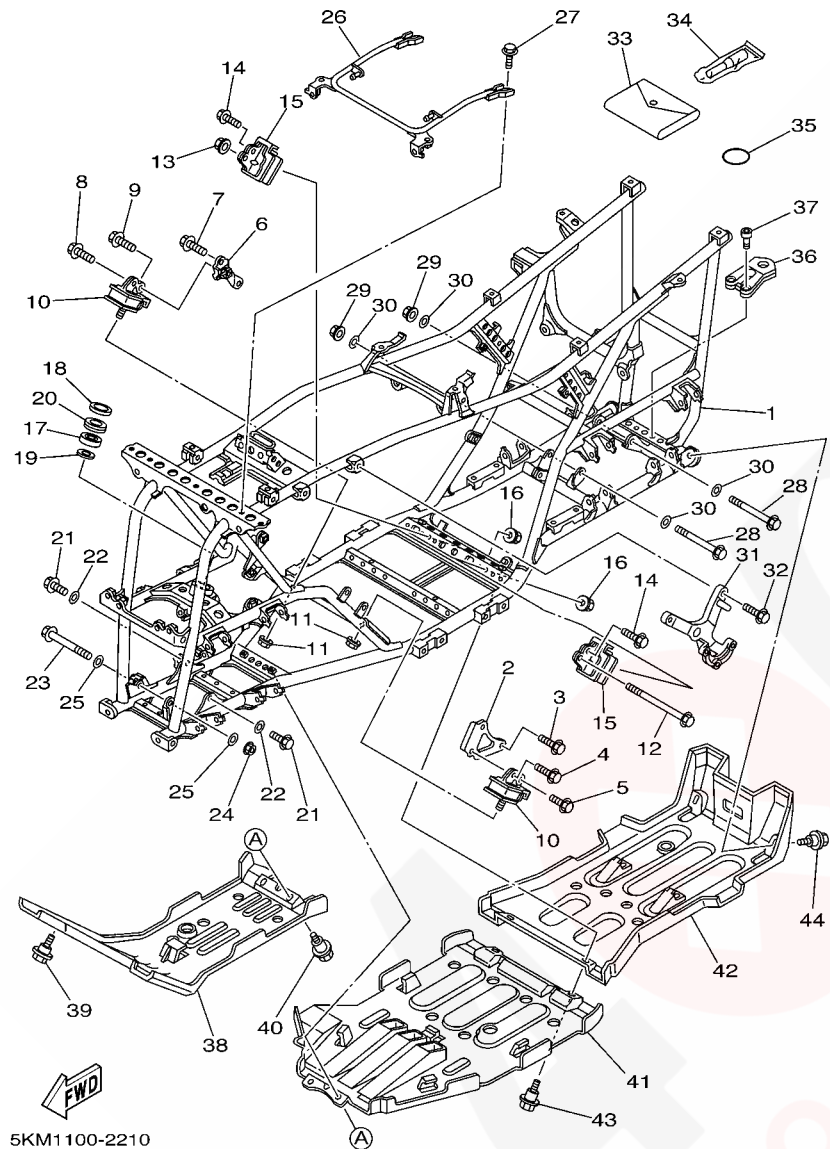
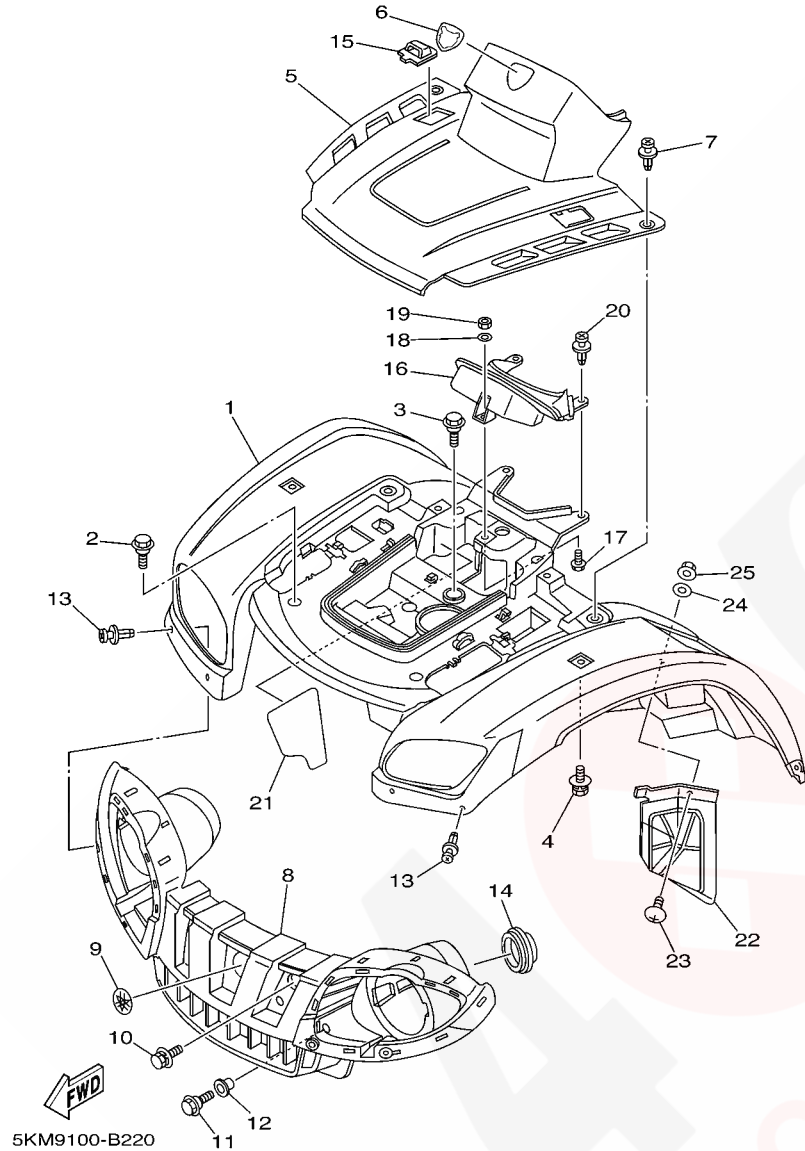


FIG. 21 FRAME

REF. NO.	PART NO.	DESCRIPTION	USA	CAN	REMARKS
28	90105-10051	BOLT, FLANGE	2	2	
29	95607-10200	NUT, SELF-LOCKING	2	2	
30	90201-101J1	WASHER, PLATE	4	4	
31	5KM-21585-00	ARM	1	1	
32	95827-08020	BOLT, FLANGE	2	2	
33	4WV-28100-00	TOOL KIT	1	1	
34	1NV-2811A-01	GAUGE, AIR	1	1	
35	93210-41041	O-RING	1	1	
36	5KM-28488-00	HOOK	1	1	
37	91317-10025	BOLT	2	2	
38	5KM-2147A-00	GUARD, ENGINE 1	1	1	
39	90109-063F1	BOLT	2	2	
40	90109-063F5	BOLT	2	2	
41	5KM-2147E-00	GUARD, ENGINE 2	1	1	
42	5KM-2147F-00	GUARD, ENGINE 3	1	1	
43	90109-063F5	BOLT	2	2	
44	90109-063F1	BOLT	2	2	

D8

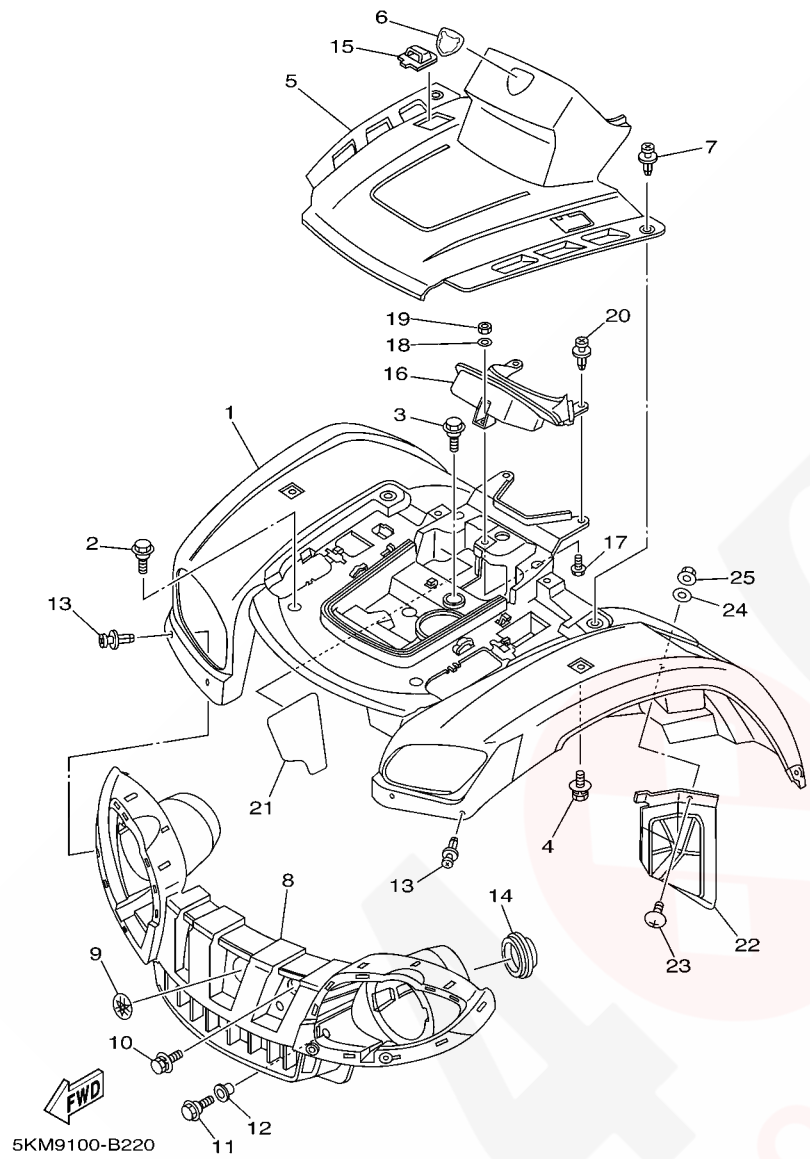
**FIG. 22 FRONT FENDER**



REF. NO.	PART NO.	DESCRIPTION	USA	CAN	REMARKS
1	5KM-W2151-00	FRONT FENDER COMP.	1		UR FOR PDG
	5KM-W2151-10	FRONT FENDER COMP.	1		UR FOR RTR
	5KM-W2151-20	FRONT FENDER COMP.	1		UR FOR DNY51
	5KM-W215C-00	FRONT FENDER COMP.2		1	UR FOR PDG
	5KM-W215C-10	FRONT FENDER COMP.2		1	UR FOR RTR
	5KM-W215C-30	FRONT FENDER COMP.2		1	UR FOR DPBSE
2	90109-063F1	BOLT	2	2	
3	90109-063F1	BOLT	1	1	
4	90119-06056	BOLT, WITH WASHER	2	2	
5	5KM-23391-00	PANEL, FRONT	1	1	
6	5FE-26232-00	EMBLEM 3D	1	1	
7	90269-07076	RIVET	2	2	
8	5KM-28309-00	GRILLE, FRONT	1		
	5KM-28309-10	GRILLE, FRONT		1	
9	5KM-2175B-00	TUNING FORK MARK	1	1	
10	90119-06056	BOLT, WITH WASHER	2	2	
11	95807-06016	BOLT, FLANGE	2	2	
12	90387-06648	COLLAR	2	2	
13	90269-07076	RIVET	4	4	
14	5GH-28349-00	CAP	2	2	
15	5KM-23338-00	CAP, SIDE 1	2	2	
16	5KM-2837L-00	PANEL, CONSOLE 1	1	1	
17	90109-063F5	BOLT	1	1	
18	90201-07081	WASHER, PLATE	1	1	
19	95317-06600	NUT	1	1	
20	90269-07076	RIVET	2	2	
21	5KM-21575-10	SEAL 1	1	1	

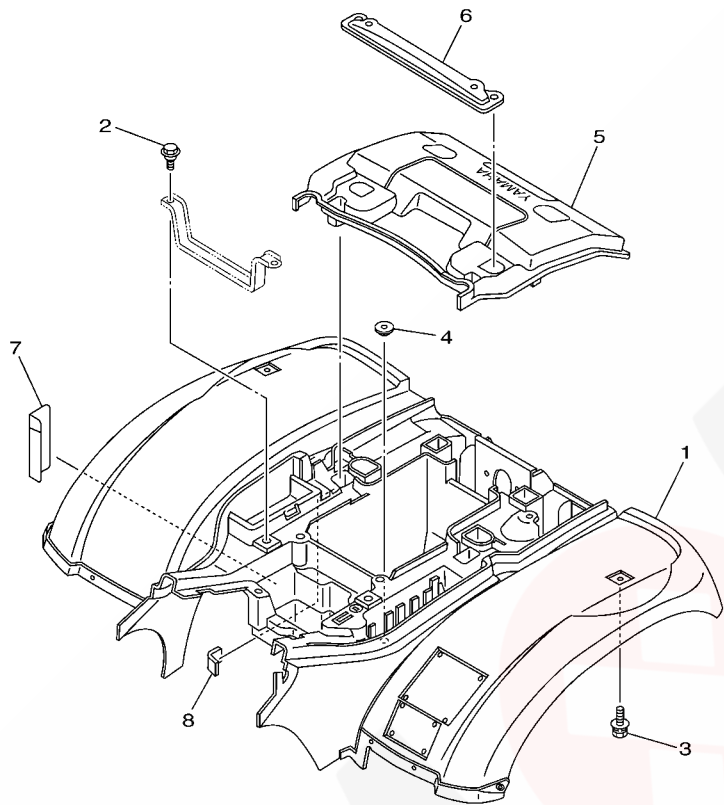
**D9**

**FIG. 22 FRONT FENDER**



REF. NO.	PART NO.	DESCRIPTION	USA	CAN				REMARKS
22	5KM-2193A-00	PROTECTOR	1	1				
23	90149-06021	SCREW	1	1				
24	90201-06557	WASHER, PLATE	1	1				
25	95707-06300	NUT, FLANGE	1	1				
-----								
-----								
-----								
-----								
-----								
-----								
-----								
-----								
-----								

**FIG. 23 REAR FENDER**

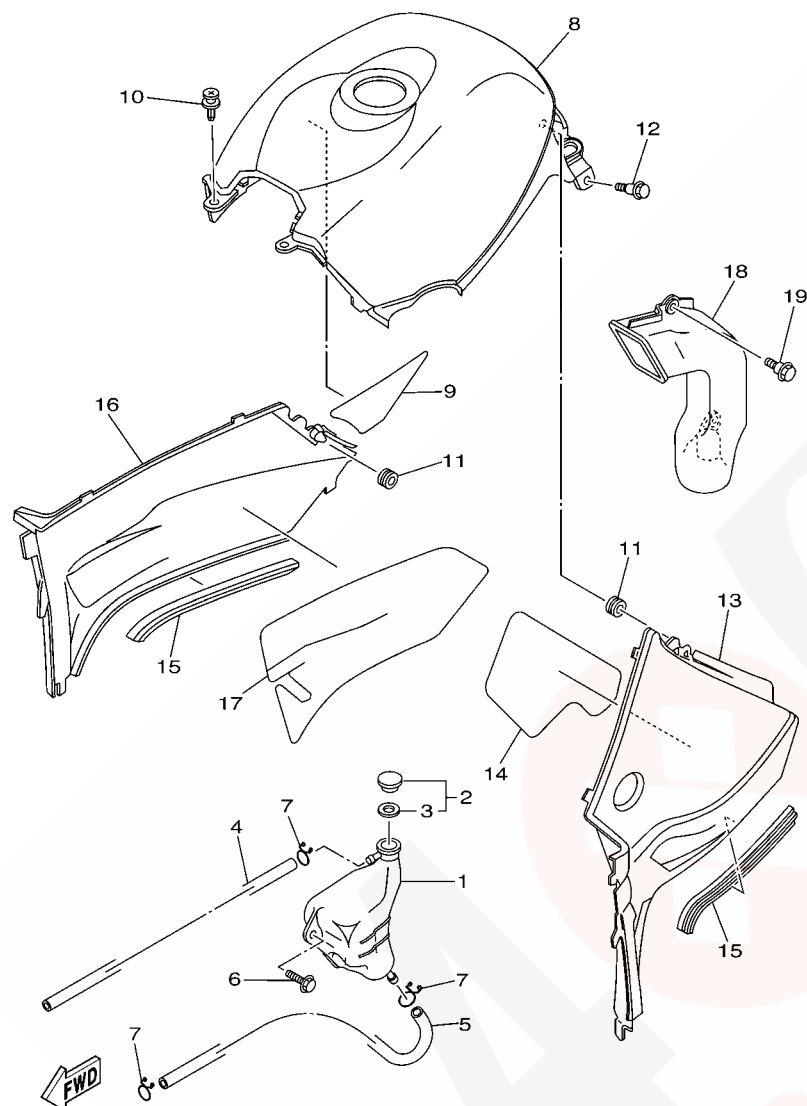


REF. NO.	PART NO.	DESCRIPTION	USA	CAN	REMARKS
1	5KM-W2161-01	REAR FENDER COMP.	1		UR FOR PDG
	5KM-W2161-11	REAR FENDER COMP.	1		UR FOR RTR
	5KM-W2161-21	REAR FENDER COMP.	1		UR FOR DNYS1
	5KM-W216C-01	REAR FENDER COMP.2		1	UR FOR PDG
	5KM-W216C-11	REAR FENDER COMP.2		1	UR FOR RTR
	5KM-W216C-31	REAR FENDER COMP.2		1	UR FOR DPBSE
2	90109-060F3	BOLT	2	2	
3	90119-06056	BOLT, WITH WASHER	2	2	
4	90338-09130	PLUG	1	1	
5	5KM-2160F-40	LID	1	1	
6	5KM-21613-00	STAY, FENDER 1	1	1	
7	5GH-2163E-00	COVER, REAR FENDER 2	1	1	
8	5KM-21652-10	PROTECTOR	1	1	



5KM9100-B230

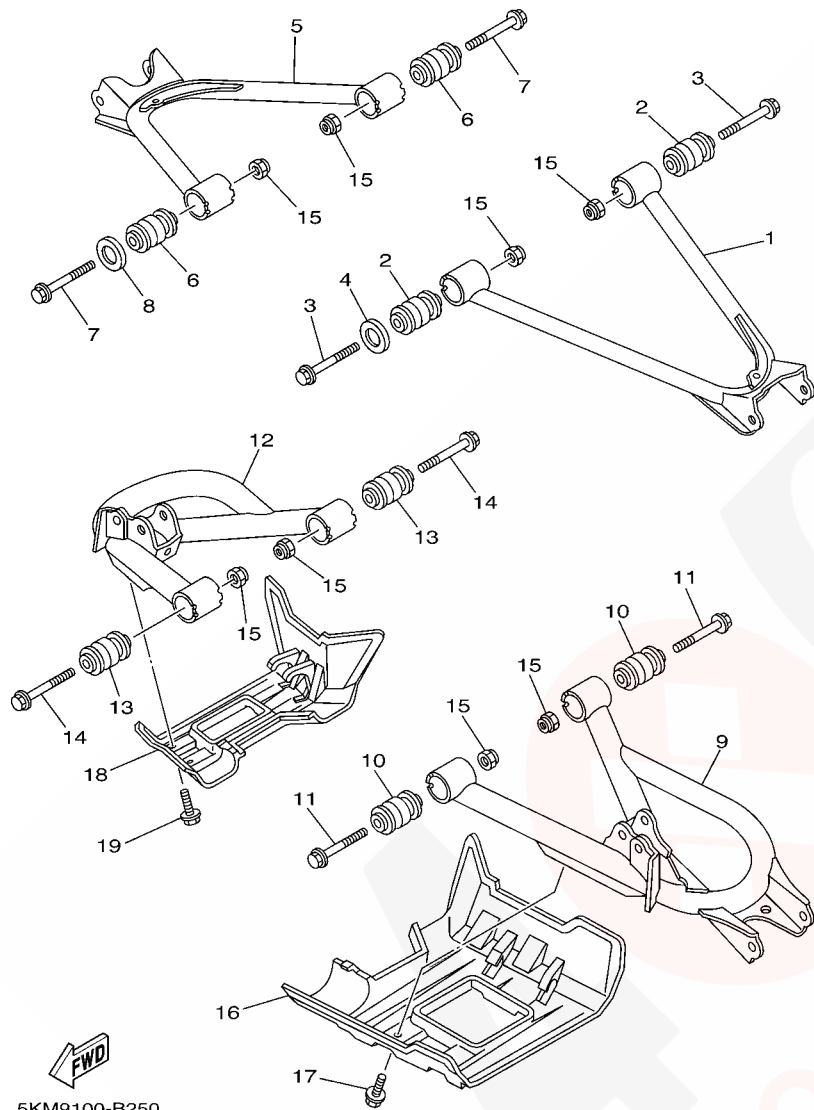
FIG. 24 SIDE COVER



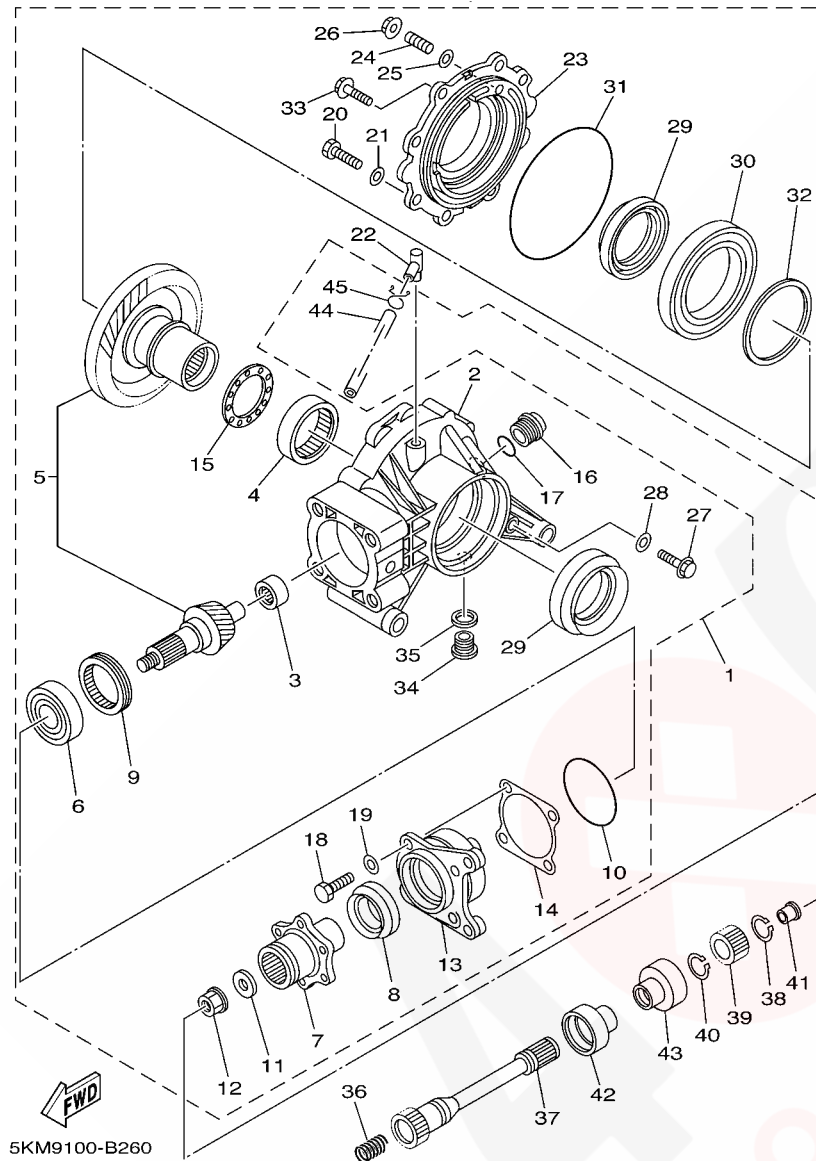
5KM1100-2240

REF. NO.	PART NO.	DESCRIPTION	USA	CAN	REMARKS
1	5KM-21871-00	TANK, RECOVERY	1	1	
2	1AA-21815-00	CAP	1	1	
3	1AA-21874-00	.GASKET	1	1	
4	90445-096F4	HOSE (L870)	1	1	
5	90445-09635	HOSE (L910)	1	1	
6	90119-06056	BOLT, WITH WASHER	2	2	
7	90467-08003	CLIP	3	3	
8	5KM-2171A-00	COVER, TOP	1	1	UR FOR PDG
	5KM-2171A-10	COVER, TOP	1	1	UR FOR RTR
	5KM-2171A-20	COVER, TOP	1		UR FOR DNYS1
	5KM-2171A-30	COVER, TOP	1		UR FOR DPBSE
9	5KM-2174M-10	CLOTH, PROTECTOR	1	1	
10	90269-07076	RIVET	2	2	
11	90480-13567	GROMMET	2	2	
12	90109-063F1	BOLT	2	2	
13	5KM-21711-00	COVER, SIDE 1	1	1	
14	5KM-2174A-10	INSULATOR, SIDE COVER	1	1	
15	5KM-2171L-00	MOLE, SIDE COVER 1	2	2	
16	5KM-21721-00	COVER, SIDE 2	1	1	
17	5KM-2174T-10	INSULATOR, SIDE COVER 2	1	1	
18	5KM-21557-00	DUCT, AIR	1	1	
19	90109-063F1	BOLT	2	2	

FIG. 25 REAR ARM



REF. NO.	PART NO.	DESCRIPTION	USA	CAN	REMARKS
1	5KM-22171-00	ARM, REAR 1	1	1	
2	5KM-23526-10	BUSH	2	2	
3	90105-10323	BOLT, FLANGE	2	2	
4	5KM-22149-00	WASHER	1	1	
5	5KM-22172-00	ARM, REAR 2	1	1	
6	5KM-23526-10	BUSH	2	2	
7	90105-10323	BOLT, FLANGE	2	2	
8	5KM-22149-00	WASHER	1	1	
9	5KM-2217M-00	ARM 1	1	1	
10	5KM-23526-10	BUSH	2	2	
11	90105-10323	BOLT, FLANGE	2	2	
12	5KM-2217N-00	ARM 2	1	1	
13	5KM-23526-10	BUSH	2	2	
14	90105-10323	BOLT, FLANGE	2	2	
15	90185-10060	NUT, SELF-LOCKING	8	8	
16	5KM-22128-00	COVER, THRUST 1	1	1	
17	90119-06117	BOLT, WITH WASHER	2	2	
18	5KM-22129-00	COVER, THRUST 2	1	1	
19	90119-06117	BOLT, WITH WASHER	2	2	



5KM9100-B260

FIG. 26 DRIVE SHAFT

REF. NO.	PART NO.	DESCRIPTION	USA	CAN	REMARKS
1	5KM-46101-10	REAR AXLE GEAR CASE ASSY	1	1	
2	5KM-46151-00	.HOUSING, DRIVE SHAFT	1	1	
3	5KM-46102-00	.BEARING ASSY	1	1	
4	93317-85569	.BEARING	1	1	
5	5KM-Y4612-10	.RING GEAR SET	1	1	
6	93306-30574	.BEARING	1	1	
7	5KM-46212-00	.BOSS, 1	1	1	
8	93102-35009	.OIL SEAL	1	1	
9	90179-65305	.NUT	1	1	
10	93210-626A7	.O-RING	1	1	
11	90201-12191	.WASHER, PLATE	1	1	
12	90179-12325	.NUT	1	1	
13	5KM-46144-00	.HOUSING, PINION BEARING	1	1	
14	2HR-46127-00-25	.SHIM, DRIVE PISTON (0.25T)	1	1	UR
	2HR-46127-00-30	.SHIM, DRIVE PISTON (0.30T)	1	1	UR
	2HR-46127-00-35	.SHIM, DRIVE PISTON (0.35T)	1	1	UR
	2HR-46127-00-40	.SHIM, DRIVE PISTON (0.40T)	1	1	UR
	2HR-46127-00-45	.SHIM, DRIVE PISTON (0.45T)	1	1	UR
	2HR-46127-00-50	.SHIM, DRIVE PISTON (0.50T)	1	1	UR
15	24W-46118-00-12	.WASHER, THRUST (1.2T)	1	1	UR
	24W-46118-00-14	.WASHER, THRUST (1.4T)	1	1	UR
	24W-46118-00-16	.WASHER, THRUST (1.6T)	1	1	UR
	24W-46118-00-18	.WASHER, THRUST (1.8T)	1	1	UR
	24W-46118-00-20	.WASHER, THRUST (2.0T)	1	1	UR
16	90340-20143	.PLUG, STRAIGHT SCREW	1	1	
17	93210-19123	.O-RING	1	1	
18	97027-08035	.BOLT	4	4	

D14



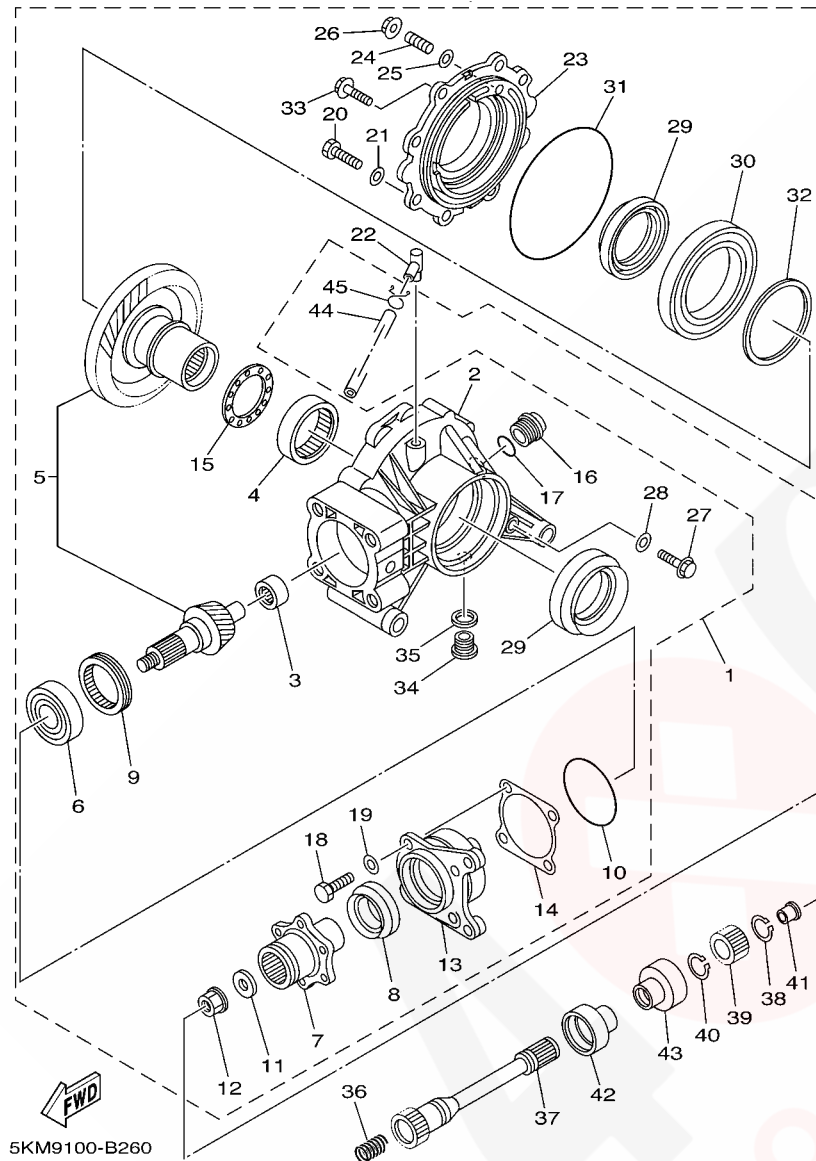


FIG. 26 DRIVE SHAFT

REF. NO.	PART NO.	DESCRIPTION	USA	CAN	REMARKS
19	92907-08600	.WASHER, PLATE	4	4	
20	97027-08025	.BOLT	6	6	
21	92907-08600	.WASHER, PLATE	6	6	
22	2N4-15371-00	.BREATHER	1	1	
23	5KM-46152-00	.HOUSING, BEARING	1	1	
24	2HR-46156-00	.STOPPER, RING GEAR	1	1	
25	90201-08087	.WASHER, PLATE	1	1	
26	95707-08500	.NUT, FLANGE	1	1	
27	95027-08012	.BOLT, FLANGE	1	1	
28	90201-08087	.WASHER, PLATE	1	1	
29	93102-65004	.OIL SEAL	2	2	
30	93316-01701	.BEARING	1	1	
31	93211-51749	.O-RING	1	1	
32	22U-46117-00-25	.SHIM, RING GEAR (0.25T)	1	1	UR
	22U-46117-00-30	.SHIM, RING GEAR (0.30T)	1	1	UR
	22U-46117-00-40	.SHIM, RING GEAR (0.40T)	1	1	UR
33	95817-10025	.BOLT, FLANGE	2	2	
34	90340-14046	.PLUG, STRAIGHT SCREW	1	1	
35	214-11198-01	.GASKET	1	1	
36	90501-18002	SPRING, COMPRESSION	1	1	
37	5KM-46172-00	SHAFT, DRIVE	1	1	
38	99009-19400	CIRCLIP	1	1	
39	5KM-46126-00	COUPLING	1	1	
40	93410-22039	CIRCLIP	1	1	
41	5KM-46559-00	DAMPER	1	1	
42	5KM-46137-00	SEAL 2	1	1	
43	5KM-46136-00	SEAL 1	1	1	



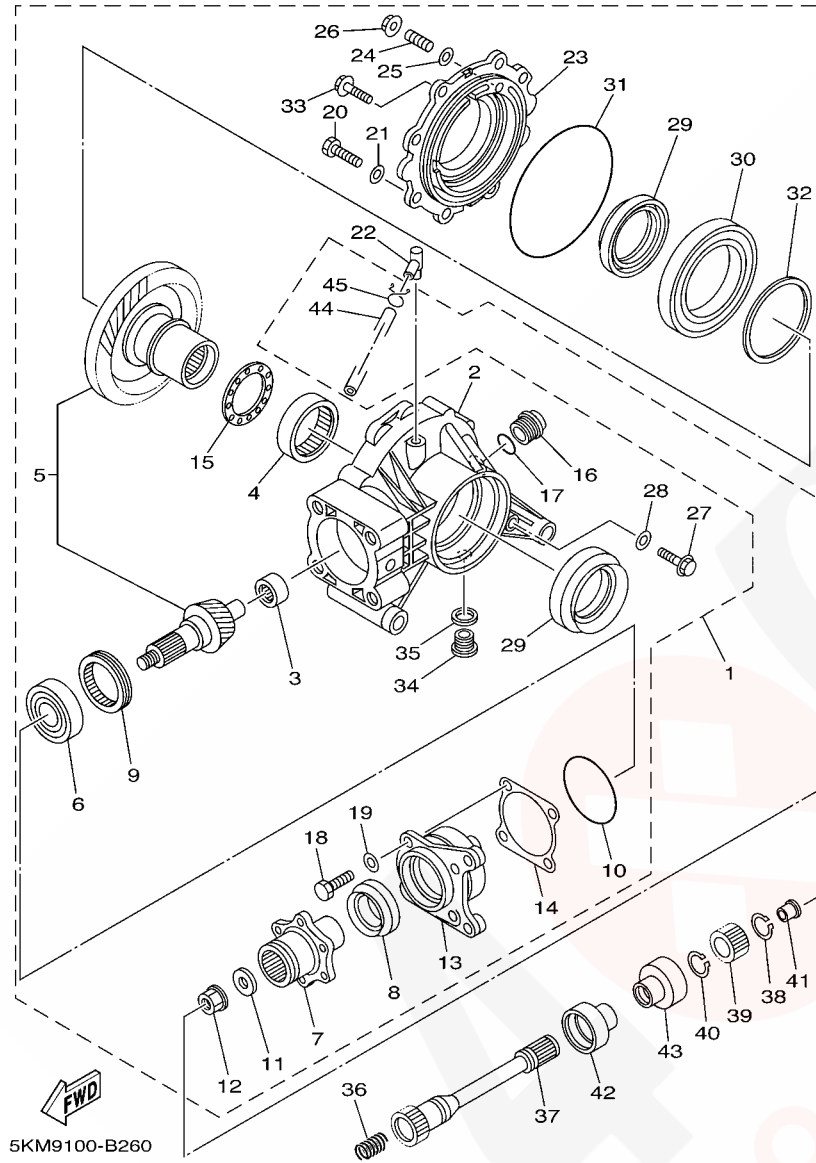
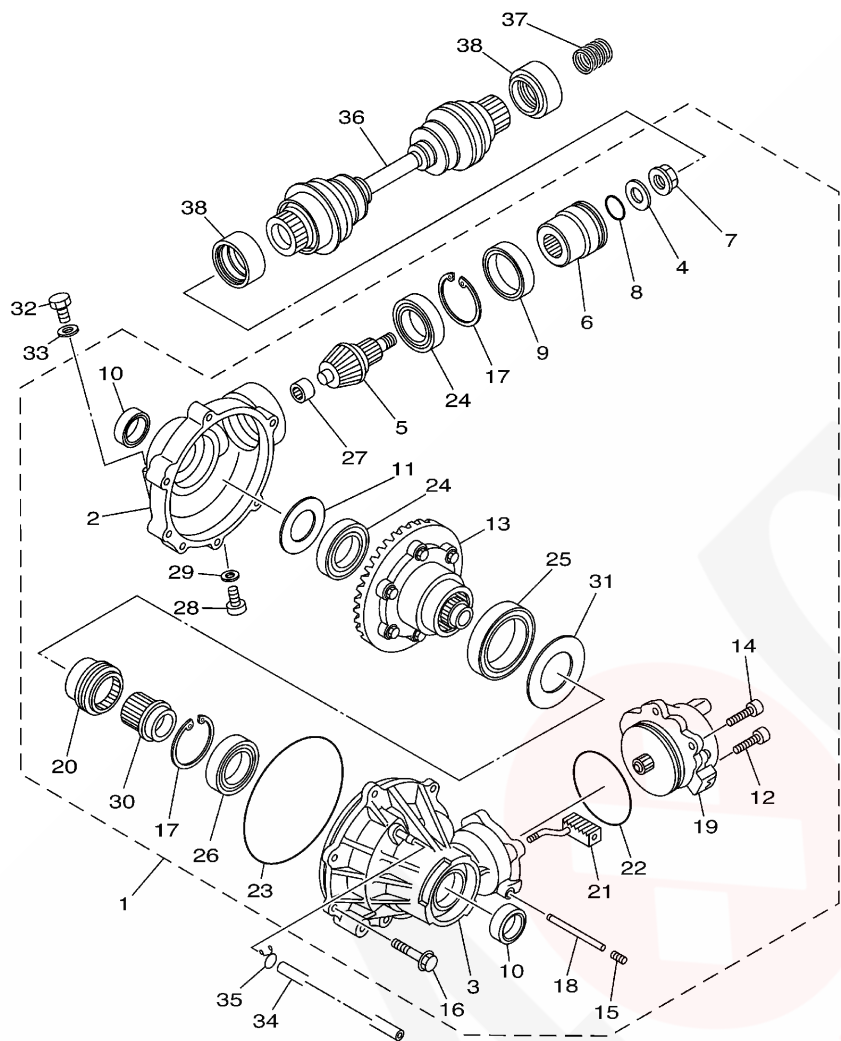


FIG. 26 DRIVE SHAFT

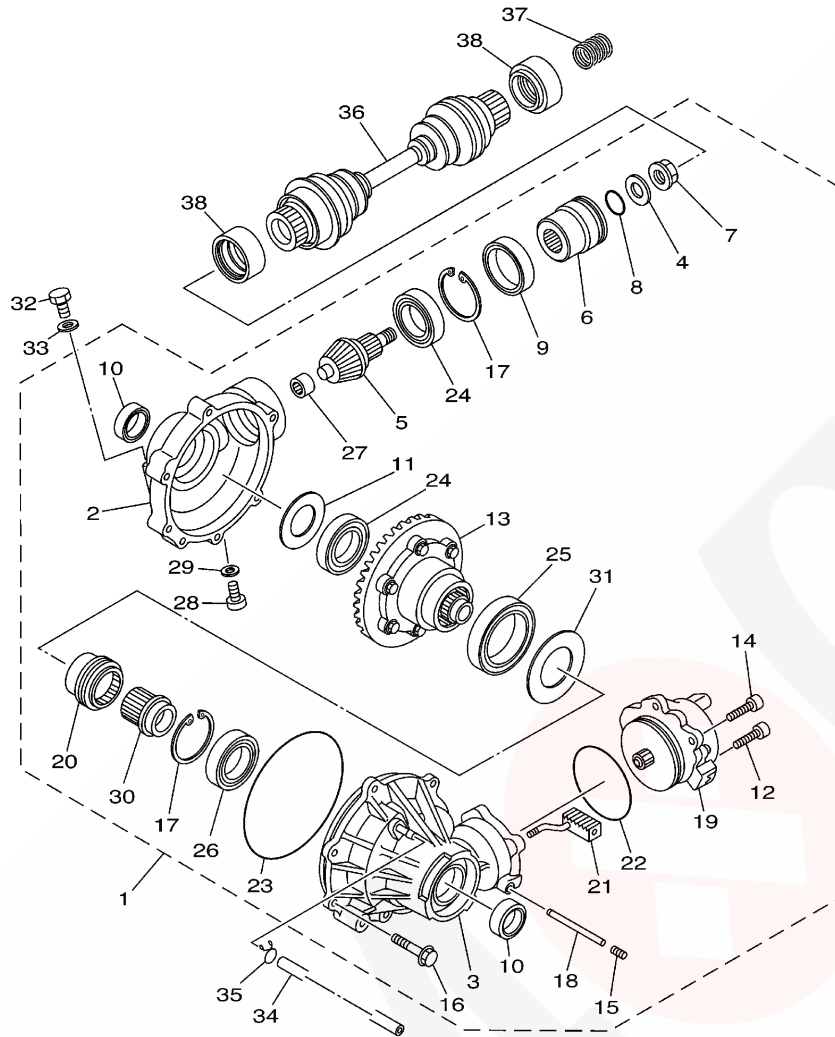
REF. NO.	PART NO.	DESCRIPTION	USA	CAN				REMARKS
44	90445-07371	HOSE (L700)	1	1				
45	90467-07029	CLIP	1	1				

FIG. 27 FRONT DIFFERENTIAL



5KM9100B2701

REF. NO.	PART NO.	DESCRIPTION	USA	CAN			REMARKS
1	5KM-46160-10	FRONT AXLE GEAR CASE COMP.	1	1			
2	5KM-46161-00	.HOUSING, SHAFT DRIVE 2	1	1			
3	5KM-46162-00	.HOUSING, BEARING 2	1	1			
4	90201-14633	.WASHER, PLATE	1	1			
5	5KM-46141-11	.PINION, DRIVE 2	1	1			
6	5KM-67839-00	.CUPLING	1	1			
7	4WV-46145-00	.NUT 1	1	1			
8	93210-14359	.O-RING	1	1			
9	93102-48012	.OIL SEAL	1	1			
10	93102-24034	.OIL SEAL	2	2			
11	4WV-46119-01	.SHIM, THRUST (0.1T)	1	1			UR
	4WV-46119-11	.SHIM, THRUST (0.2T)	1	1			UR
	4WV-46119-21	.SHIM, THRUST (0.3T)	1	1			UR
	4WV-46119-31	.SHIM, THRUST (0.4T)	1	1			UR
	4WV-46119-41	.SHIM, THRUST (0.5T)	1	1			UR
	4WV-46119-51	.SHIM, THRUST (1.0T)	1	1			UR
12	5KM-46155-00	.BOLT 1	1	1			
13	5KM-46470-11	.LIMITED SLIP DIFF. ASSY	1	1			
14	91317-08020	.BOLT	2	2			
15	90113-08004	.BOLT, SET	1	1			
16	4WV-46159-00	.BOLT 3	6	6			
17	5KM-46143-00	.RING,HOLE SNAP 2	2	2			
18	5KM-42752-00	.SHAFT	1	1			
19	5KM-4616A-00	.SERVO MOTOR COMP	1	1			
20	5KM-46441-00	.CLUTCH,DRIVEN	1	1			
21	5KM-18319-10	.SHAFT 2	1	1			
22	93210-82001	.O-RING	1	1			

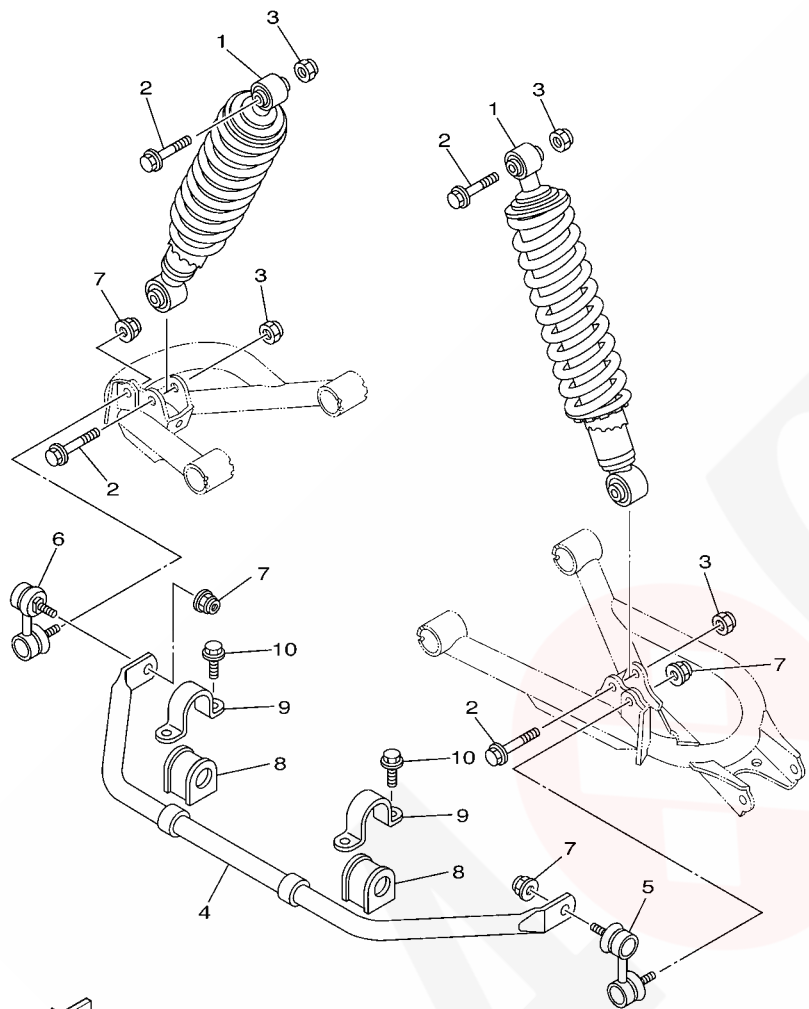


5KM9100B2701

FIG. 27 FRONT DIFFERENTIAL

REF. NO.	PART NO.	DESCRIPTION	USA	CAN	REMARKS
23	93211-40040	.O-RING	1	1	
24	93306-00709	.BEARING	2	2	
25	93306-91201	.BEARING (B6912)	1	1	
26	93316-00702	.BEARING	1	1	
27	4WV-46167-00	.BEARING 4	1	1	
28	90340-10001	.PLUG, STRAIGHT SCREW	1	1	
29	90430-10003	.GASKET	1	1	
30	5KM-46451-00	.ADAPTER	1	1	
31	5KM-46119-01	.SHIM, THRUST (0.1T)	1	1	UR
	5KM-46119-11	.SHIM, THRUST (0.2T)	1	1	UR
	5KM-46119-21	.SHIM, THRUST (0.3T)	1	1	UR
	5KM-46119-31	.SHIM, THRUST (0.4T)	1	1	UR
	5KM-46119-41	.SHIM, THRUST (0.5T)	1	1	UR
	5KM-46119-51	.SHIM, THRUST (1.0T)	1	1	UR
	5KM-46119-61	.SHIM, THRUST (1.5T)	1	1	UR
32	90340-14029	PLUG, STRAIGHT SCREW	1	1	
33	214-11198-01	GASKET	1	1	
34	90445-07371	HOSE (L700)	1	1	
35	90467-07029	CLIP	1	1	
36	5KM-46173-10	SHAFT, DRIVE 2	1	1	
37	90501-200A0	SPRING, COMPRESSION	1	1	
38	5KM-22358-00	SEAL 1	2	2	

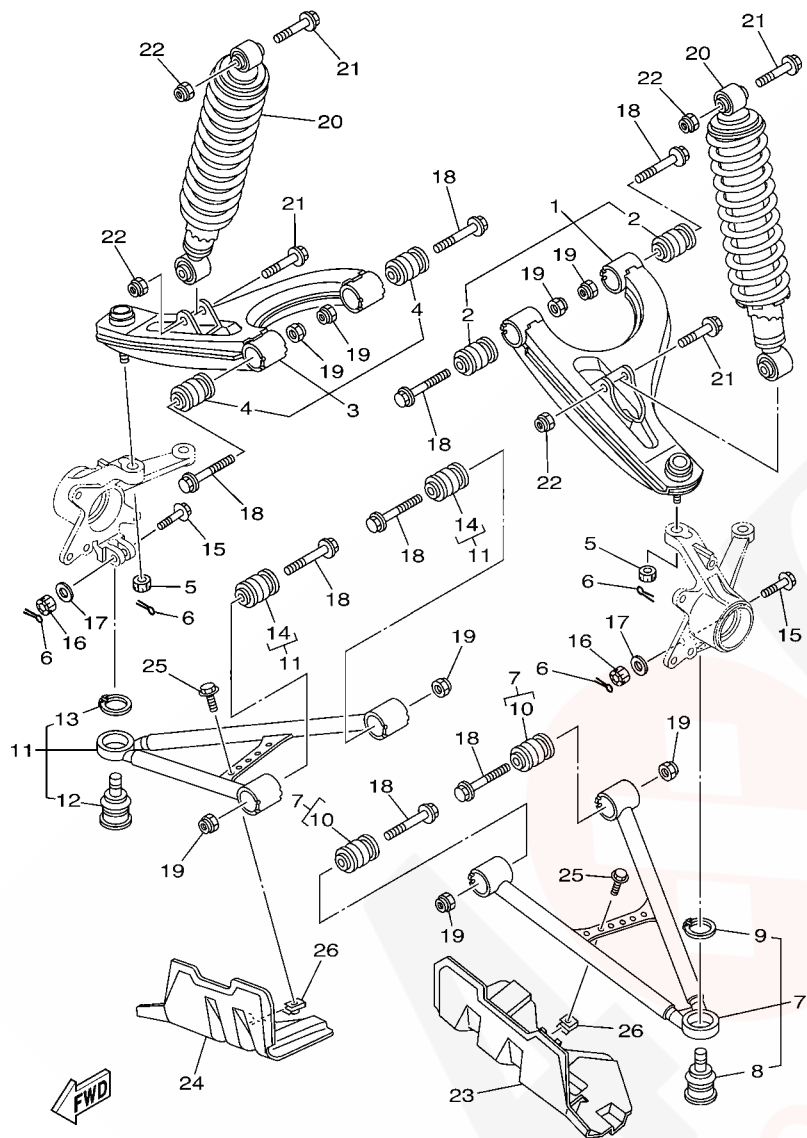
FIG. 28 REAR SUSPENSION



5KM1100-2281

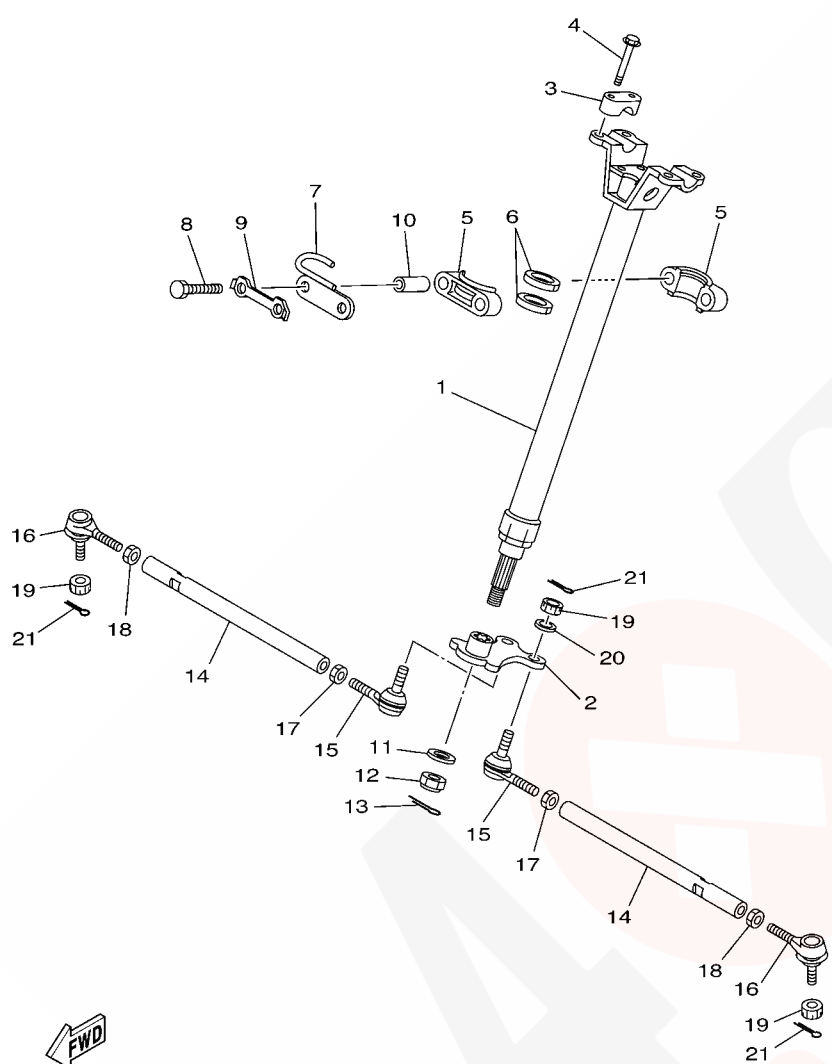
REF. NO.	PART NO.	DESCRIPTION	USA	CAN	REMARKS
1	5KM-22210-20	SHOCK ABSORBER ASSY, REAR	2	2	
2	90105-10388	BOLT, FLANGE	4	4	
3	90185-10060	NUT, SELF-LOCKING	4	4	
4	5KM-47491-00	BAR, STABILIZER	1	1	
5	5KM-2385L-00	JOINT, STABILIZER 1	1	1	
6	5KM-2385M-00	JOINT, STABILIZER 2	1	1	
7	95607-10200	NUT, SELF-LOCKING	4	4	
8	5KM-2386G-00	BUSH, STABILIZER FRONT	2	2	
9	5KM-2386H-00	COVER, STABILIZER FRONT	2	2	
10	95817-08014	BOLT, FLANGE	4	4	

**FIG. 29 FRONT SUSPENSION & WHEEL**



REF. NO.	PART NO.	DESCRIPTION	USA	CAN	REMARKS
1	5KM-23540-10	FRONT UPPER ARM COMP. (LEFT)	1	1	
2	5KM-23526-10	.BUSH	2	2	
3	5KM-23550-10	FRONT UPPER ARM COMP. (RIGHT)	1	1	
4	5KM-23526-10	.BUSH	2	2	
5	90171-10046	NUT, CASTLE	2	2	
6	91401-20020	PIN, COTTER	4	4	
7	5KM-23570-10	FRONT LOWER ARM COMP. (LEFT)	1	1	
8	5KM-23579-00	.BALL JOINT 2	1	1	
9	99009-30400	.CIRCLIP	1	1	
10	5KM-23526-10	.BUSH	2	2	
11	5KM-23580-10	FRONT LOWER ARM COMP. (RIGHT)	1	1	
12	5KM-23579-00	.BALL JOINT 2	1	1	
13	99009-30400	.CIRCLIP	1	1	
14	5KM-23526-10	.BUSH	2	2	
15	90105-10549	BOLT, FLANGE	2	2	
16	95337-10600	NUT	2	2	
17	90201-10430	WASHER, PLATE	2	2	
18	90105-10286	BOLT, FLANGE	8	8	
19	90185-10060	NUT, SELF-LOCKING	8	8	
20	5KM-23350-20	SHOCK ABSORBER ASSY	2	2	
21	90105-10388	BOLT, FLANGE	4	4	
22	90185-10060	NUT, SELF-LOCKING	4	4	
23	5KM-23123-00	COVER, LOWER 1	1	1	
24	5KM-23133-00	COVER, LOWER 2	1	1	
25	95807-06012	BOLT, FLANGE	2	2	
26	90183-06053	NUT, SPRING	2	2	

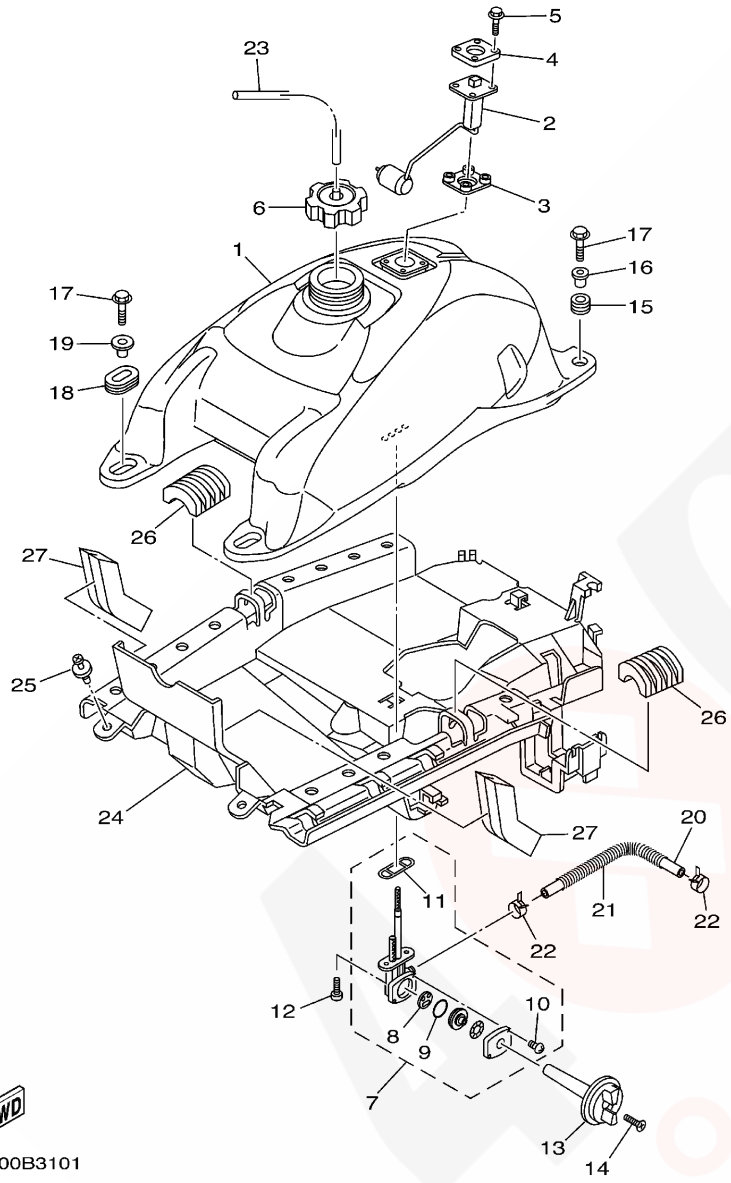
**FIG. 30 STEERING**



  
5KM1100-2300

REF. NO.	PART NO.	DESCRIPTION	USA	CAN	REMARKS
1	5KM-23813-00	COLUMN, STEERING 2	1	1	
2	5KM-23816-00	ARM, PITMAN	1	1	
3	8K1-23814-00	HOLDER, HANDLE	2	2	
4	95827-08030	BOLT, FLANGE	4	4	
5	1UY-23812-00	PLANE BEARING, STEERING	2	2	
6	93112-31011	OIL SEAL	2	2	
7	5KM-23868-00	BRACKET, STEERING LOWER	1	1	
8	97027-08060	BOLT	2	2	
9	1UY-23894-01	WASHER, LOCK 1	1	1	
10	90387-090R0	COLLAR	2	2	
11	90201-14226	WASHER, PLATE	1	1	
12	90185-14070	NUT, SELF-LOCKING	1	1	
13	90468-16191	CLIP	1	1	
14	5KM-23831-00	ROD, TIE	2	2	
15	1UY-23841-01	JOINT, UNIVERSAL 1	2	2	
16	1UY-23845-01	JOINT, UNIVERSAL 2	2	2	
17	95307-10700	NUT	2	2	
18	90170-10186	NUT	2	2	(L.H. THREAD)
19	90171-10046	NUT, CASTLE	4	4	
20	92990-10600	WASHER, PLATE	2	2	
21	91401-20020	PIN, COTTER	4	4	

**E7**

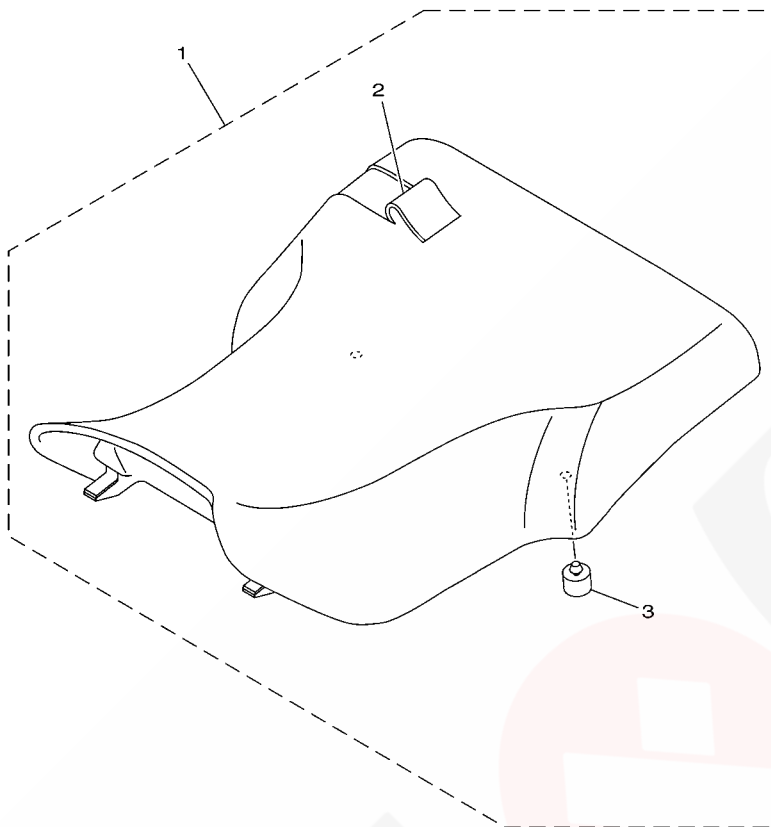


**FWD**  
5KM9100B3101

**FIG. 31 FUEL TANK**

REF. NO.	PART NO.	DESCRIPTION	USA	CAN	REMARKS
1	5KM-24110-00	FUEL TANK COMP.	1	1	
2	5KM-85752-00	SENDER UNIT ASSY, FUEL METER	1	1	
3	4US-85753-00	GASKET, SENDER UNIT	1	1	
4	2JG-85757-00	RETAINER	1	1	
5	90119-05071	BOLT, WITH WASHER	4	4	
6	5KM-24610-00	CAP ASSY	1	1	
7	5KM-24500-00	FUEL COCK ASSY 1	1	1	
8	3AJ-24523-00	.VALVE PACKING	1	1	
9	3AJ-24534-00	.SEAL, COCK	1	1	
10	98507-03014	.SCREW, PAN HEAD	2	2	
11	4X8-24512-00	.O-RING	1	1	
12	90149-06011	SCREW	2	2	
13	5GH-24524-00	LEVER, COCK	1	1	
14	98707-04018	SCREW, FLAT HEAD	1	1	
15	90480-18290	GROMMET	2	2	
16	90387-066J1	COLLAR	2	2	
17	95807-06030	BOLT, FLANGE	4	4	
18	90480-01400	GROMMET	2	2	
19	90387-075H4	COLLAR	2	2	
20	5KM-24311-10	PIPE, FUEL 1	1	1	
21	5KM-24327-00	PROTECTOR, PIPE	1	1	
22	90467-12053	CLIP	2	2	
23	90445-084J1	HOSE (L420)	1	1	
24	5KM-2414H-00	DAMPER, PLATE 1	1	1	
25	90269-07076	RIVET	2	2	
26	5KM-24181-00	DAMPER, LOCATING 1	2	2	
27	5KM-24182-00	DAMPER, LOCATING 2	2	2	

**FIG. 32 SEAT**

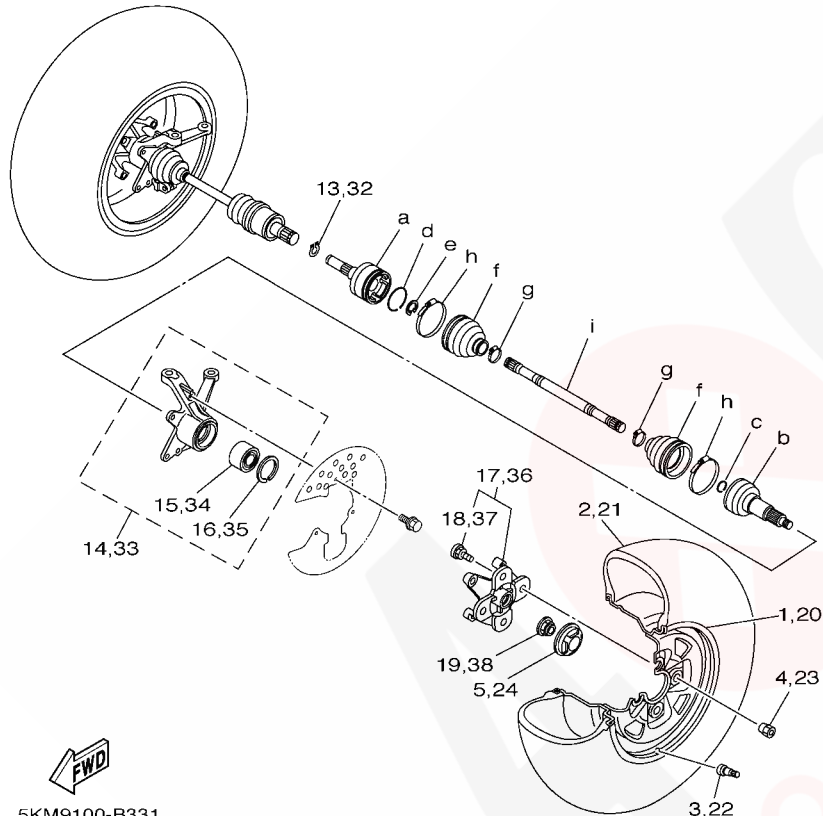
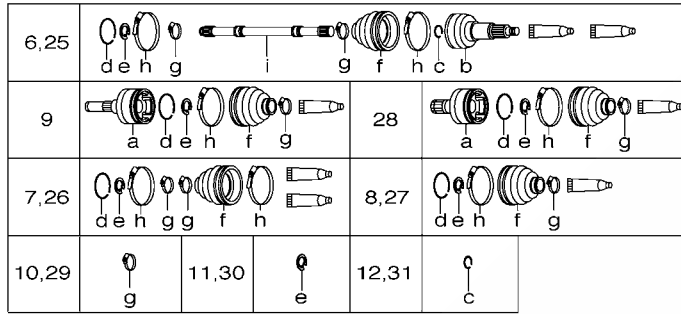


REF. NO.	PART NO.	DESCRIPTION	USA	CAN		REMARKS
1	5KM-24710-00	SINGLE SEAT ASSY (YB)	1	1		FOR PDG,RTR,DNYS1
	5KM-24710-10	SINGLE SEAT ASSY (LGG)	1	1		FOR DPBSE
2	5KM-24731-00	.COVER, SEAT (YB)	1	1		FOR PDG,RTR,DNYS1
	5KM-24731-10	.COVER, SEAT (LGG)	1	1		FOR DPBSE
3	371-27114-00	.STOPPER, MAIN STAND	2	2		



5KM1100-2320



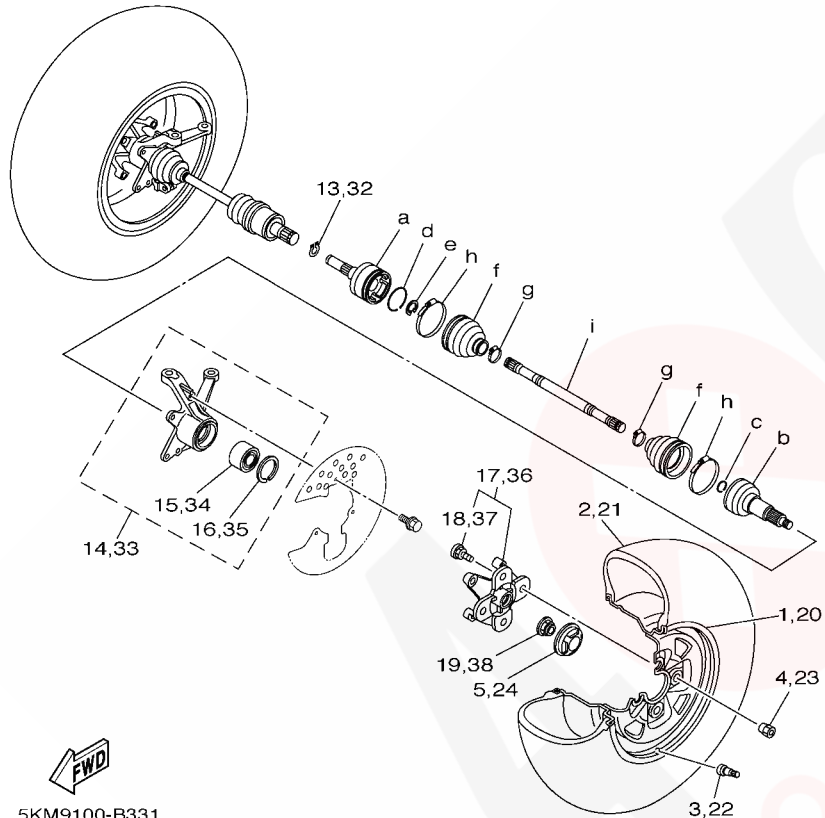
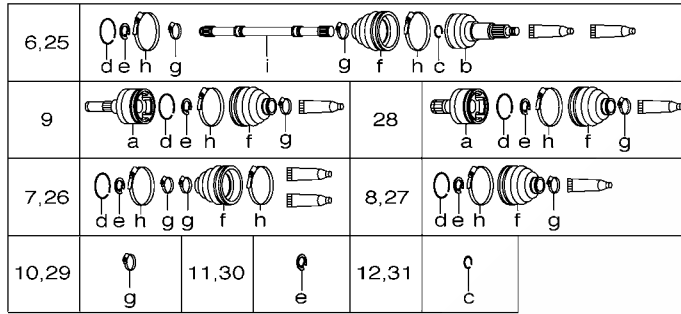


\*1: PREVIOUS  
USA: TO 006006  
CAN: TO 018536

\*2: CURRENT  
USA: FROM 006007  
CAN: FROM 018537

FIG. 33 FRONT WHEEL

REF. NO.	PART NO.	DESCRIPTION	USA	CAN	REMARKS
1	5KM-25180-20	WHEEL COMP.	1	1	
2	94108-12009	TIRE (AT 25X8-12** KT131 T/L)	1	1	DUNLOP
3	93900-00030	VALVE, RIM (TR412)	1	1	TAIHEIYO
4	90179-10007	NUT	4	4	
5	5KM-2512A-00	CAP, WHEEL	1	1	
6	5KM-2510F-10	BALL JOINT SET	1	1	*1
	5KM-2510F-11	BALL JOINT SET	1	1	*2
7	5KM-2510G-10	BOOT SET (BALL JOINT)	1	1	*1
	5KM-2510G-11	BOOT SET (BALL JOINT)	1	1	*2
8	5KM-2510H-10	BOOT SET (DOUBLE OFFSET JOINT)	1	1	
9	5KM-2510J-30	DOUBLE OFF SET JOINT	1	1	LH
10	3HN-2512G-01	BOOT BAND (SMALL)	2	2	
11	2HR-2512J-00	SNAP RING	1	1	
12	4KB-2512H-00	CIRCLIP	1	1	
13	5KM-45531-10	CLIP, DRIVE SHAFT	1	1	
14	5KM-23501-10	STEERING KNUCKLE ASSY (LEFT)	1	1	
15	93305-00601	.BEARING	1	1	
16	99009-55500	.CIRCLIP	1	1	
17	5KM-25111-10	HUB, FRONT	1	1	
18	90114-10010	.BOLT, SERRATION	4	4	
19	90179-20006	NUT	1	1	
20	5KM-25180-20	WHEEL COMP.	1	1	
21	94108-12009	TIRE (AT 25X8-12** KT131 T/L)	1	1	DUNLOP
22	93900-00030	VALVE, RIM (TR412)	1	1	TAIHEIYO
23	90179-10007	NUT	4	4	
24	5KM-2512A-00	CAP, WHEEL	1	1	
25	5KM-2510F-10	BALL JOINT SET	1	1	*1



5KM9100-B331

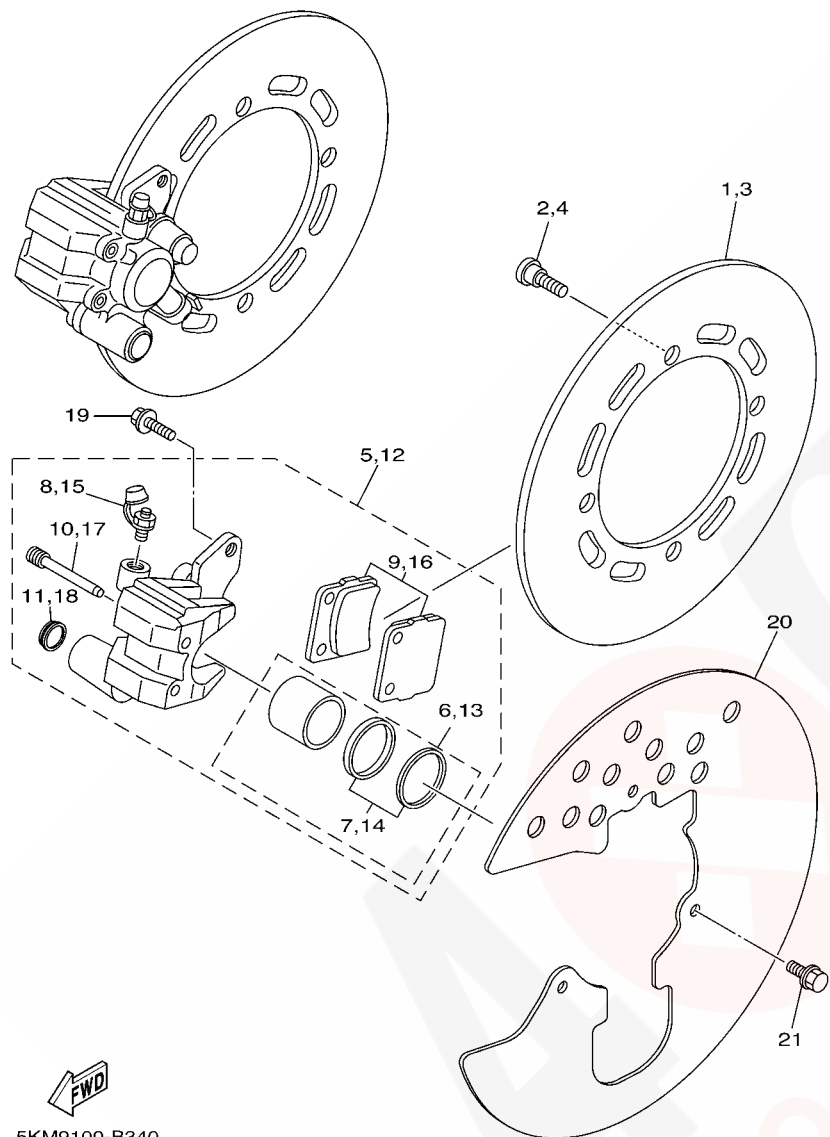
\*1:PREVIOUS  
USA:TO 006006  
CAN:TO 018536

\*2:CURRENT  
USA:FROM 006007  
CAN:FROM 018537

FIG. 33 FRONT WHEEL

REF. NO.	PART NO.	DESCRIPTION	USA	CAN	REMARKS
25	5KM-2510F-11	BALL JOINT SET	1	1	*2
26	5KM-2510G-10	BOOT SET (BALL JOINT)	1	1	*1
	5KM-2510G-11	BOOT SET (BALL JOINT)	1	1	*2
27	5KM-2510H-10	BOOT SET (DOUBLE OFFSET JOINT)	1	1	
28	5KM-2510J-20	DOUBLE OFF SET JOINT	1	1	RH
29	3HN-2512G-01	BOOT BAND (SMALL)	2	2	
30	2HR-2512J-00	SNAP RING	1	1	
31	4KB-2512H-00	CIRCLIP	1	1	
32	93450-22119	CIRCLIP	1	1	
33	5KM-23502-10	STEERING KNUCKLE ASSY (RIGHT)	1	1	
34	93305-00601	.BEARING	1	1	
35	99009-55500	.CIRCLIP	1	1	
36	5KM-25111-10	HUB, FRONT	1	1	
37	90114-10010	.BOLT, SERRATION	4	4	
38	90179-20006	NUT	1	1	

FIG. 34 FRONT BRAKE CALIPER



5KM9100-B340

REF. NO.	PART NO.	DESCRIPTION	USA	CAN	REMARKS
1	5KM-2582T-10	DISC, BRAKE (LEFT)	1	1	
2	90109-08021	BOLT	4	4	
3	5KM-2582T-10	DISC, BRAKE (LEFT)	1	1	
4	90109-08021	BOLT	4	4	
5	4WV-2580T-10	CALIPER ASSY (LEFT)	1	1	
6	3GD-W0057-00	.PISTON ASSY, CALIPER	1	1	
7	3GD-W0047-00	..CALIPER SEAL KIT	1	1	
8	1UY-W0048-50	.BLEED SCREW KIT	1	1	
9	4WV-W0045-00	.BRAKE PAD KIT	1	1	
10	3GD-25933-00	.PIN, PAD	2	2	
11	3GD-25916-00	.PLUG	1	1	
12	4WV-2580U-10	CALIPER ASSY (RIGHT)	1	1	
13	3GD-W0057-00	.PISTON ASSY, CALIPER	1	1	
14	3GD-W0047-00	..CALIPER SEAL KIT	1	1	
15	1UY-W0048-50	.BLEED SCREW KIT	1	1	
16	4WV-W0045-00	.BRAKE PAD KIT	1	1	
17	3GD-25933-00	.PIN, PAD	2	2	
18	3GD-25916-00	.PLUG	1	1	
19	90105-08538	BOLT, FLANGE	4	4	
20	5KM-2514A-10	RING, WHEEL 1 (LEFT)	2	2	
21	90150-06021	SCREW, ROUND HEAD	6	6	

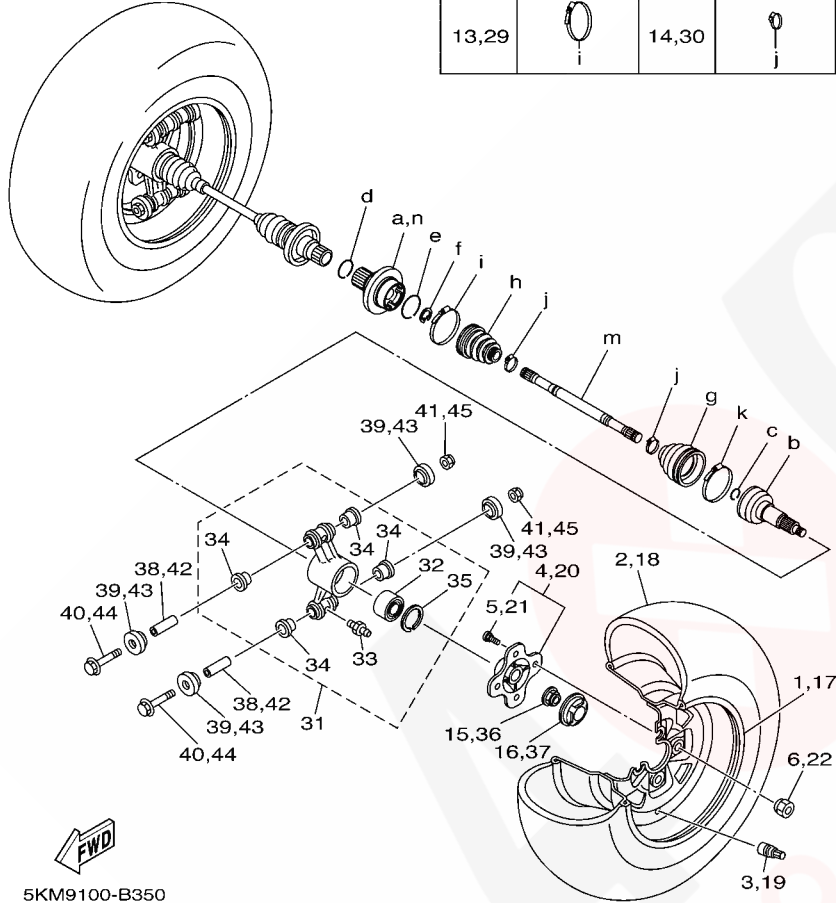
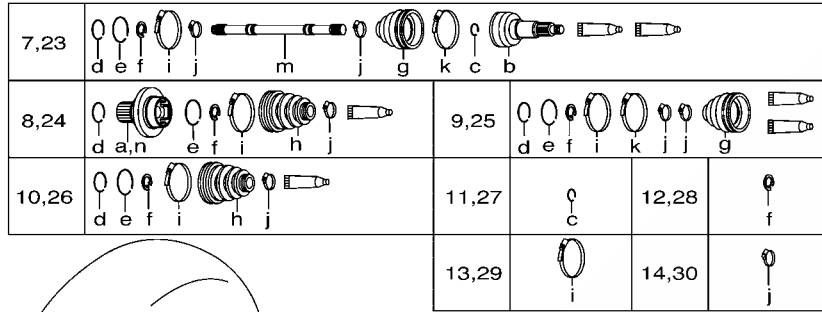
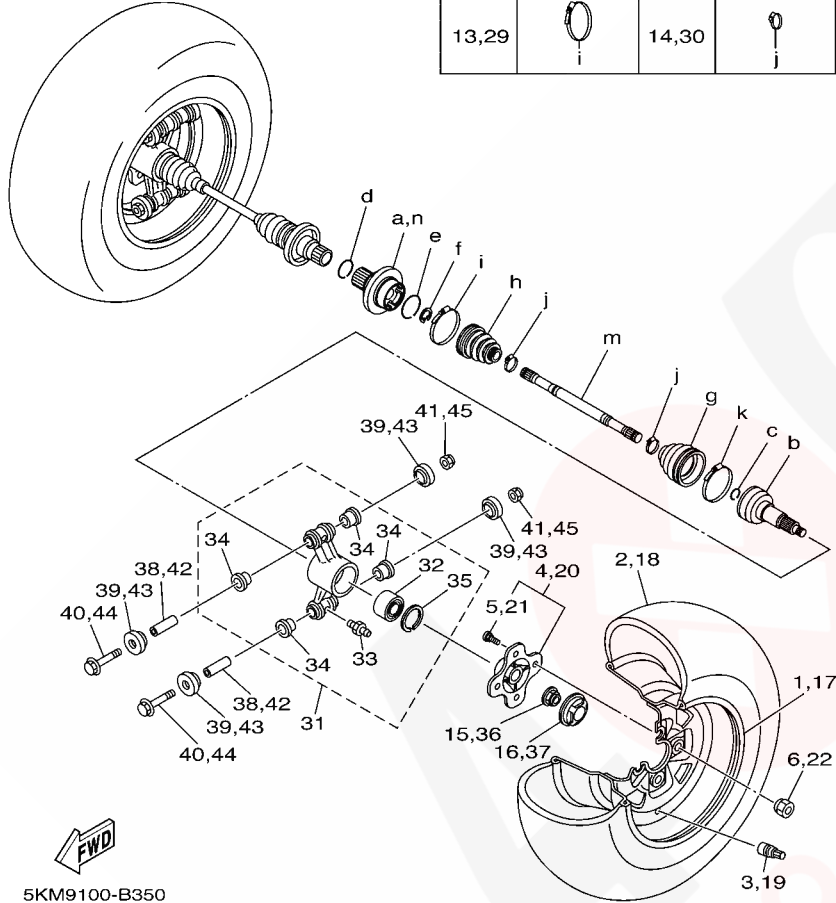
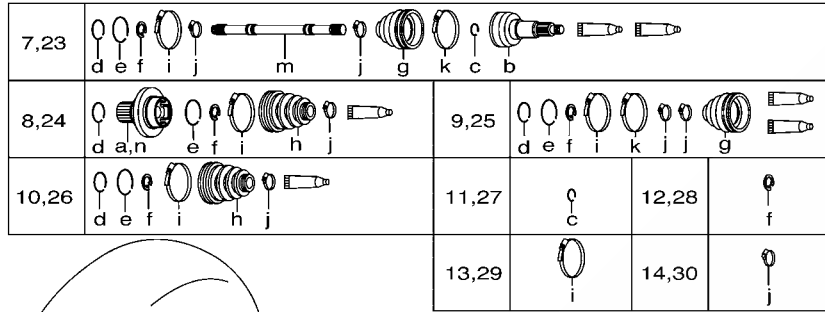


FIG. 35 REAR WHEEL

REF. NO.	PART NO.	DESCRIPTION	USA	CAN	REMARKS
1	5KM-25390-20	REAR WHEEL COMP.	1	1	
2	94110-12009	TIRE (AT 25X10-12** KT135 T/L)	1	1	DUNLOP
3	93900-00030	VALVE, RIM (TR412)	1	1	TAIHEIYO
4	5KM-25311-10	HUB, REAR	1	1	
5	90114-10010	.BOLT, SERRATION	4	4	
6	90179-10007	NUT	4	4	
7	5KM-2530U-10	BALL JOINT SET	1	1	LH
8	5KM-2530W-10	DOUBLE OFF SET JOINT	1	1	LH
9	5KM-2530X-10	BOOT SET (BALL JOINT)	1	1	
10	5KM-2530Y-10	BOOT SET (DOUBLE OFFSET JOINT)	1	1	
11	4KB-2512H-00	CIRCLIP	1	1	
12	2HR-2512J-00	SNAP RING	1	1	
13	4KB-2511H-00	BOOT BAND (DOUBLE OFFSET JOINT)	1	1	
14	3HN-2512G-01	BOOT BAND (SMALL)	1	1	
15	90179-20006	NUT	1	1	
16	5KM-2512A-00	CAP, WHEEL	1	1	
17	5KM-25390-20	REAR WHEEL COMP.	1	1	
18	94110-12009	TIRE (AT 25X10-12** KT135 T/L)	1	1	DUNLOP
19	93900-00030	VALVE, RIM (TR412)	1	1	TAIHEIYO
20	5KM-25311-10	HUB, REAR	1	1	
21	90114-10010	.BOLT, SERRATION	4	4	
22	90179-10007	NUT	4	4	
23	5KM-2530T-10	BALL JOINT SET	1	1	RH
24	5KM-2530V-10	DOUBLE OFF SET JOINT	1	1	RH
25	5KM-2530X-10	BOOT SET (BALL JOINT)	1	1	
26	5KM-2530Y-10	BOOT SET (DOUBLE OFFSET JOINT)	1	1	
27	4KB-2512H-00	CIRCLIP	1	1	



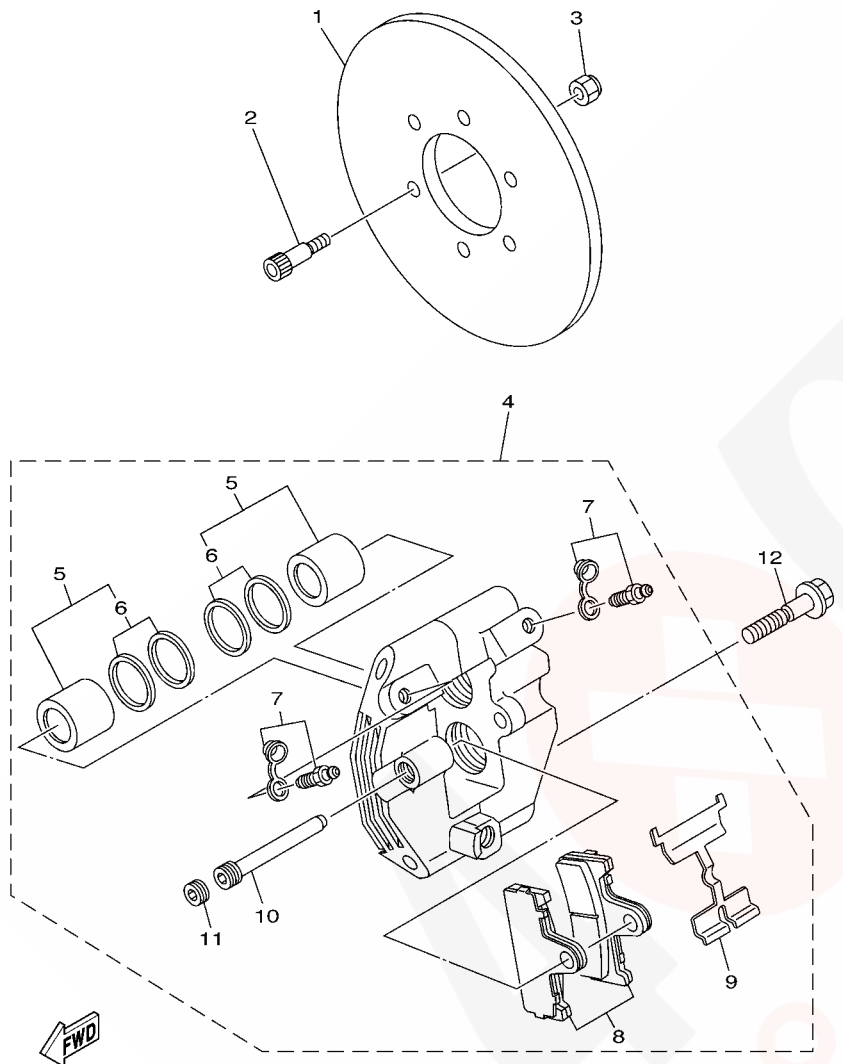
5KM9100-B350

FIG. 35 REAR WHEEL

REF. NO.	PART NO.	DESCRIPTION	USA	CAN	REMARKS
28	2HR-2512J-00	SNAP RING	1	1	
29	4KB-2511H-00	BOOT BAND (DOUBLE OFFSET JOINT	1	1	
30	3HN-2512G-01	BOOT BAND (SMALL)	1	1	
31	5KM-2530F-10	REAR KNUCKLE ASSY	2	2	
32	93305-00601	.BEARING	1	1	
33	93700-06004	.NIPPLE, GREASE	2	2	
34	90381-17067	.BUSH, SOLID	4	4	
35	99009-55500	.CIRCLIP	1	1	
36	90179-20006	NUT	1	1	
37	5KM-2512A-00	CAP, WHEEL	1	1	
38	5KM-23448-00	SPACER	2	2	
39	2NL-23517-00	COVER, THRUST 1	4	4	
40	90105-10480	BOLT, FLANGE	2	2	
41	90185-10060	NUT, SELF-LOCKING	2	2	
42	5KM-23448-00	SPACER	2	2	
43	2NL-23517-00	COVER, THRUST 1	4	4	
44	90105-10480	BOLT, FLANGE	2	2	
45	90185-10060	NUT, SELF-LOCKING	2	2	

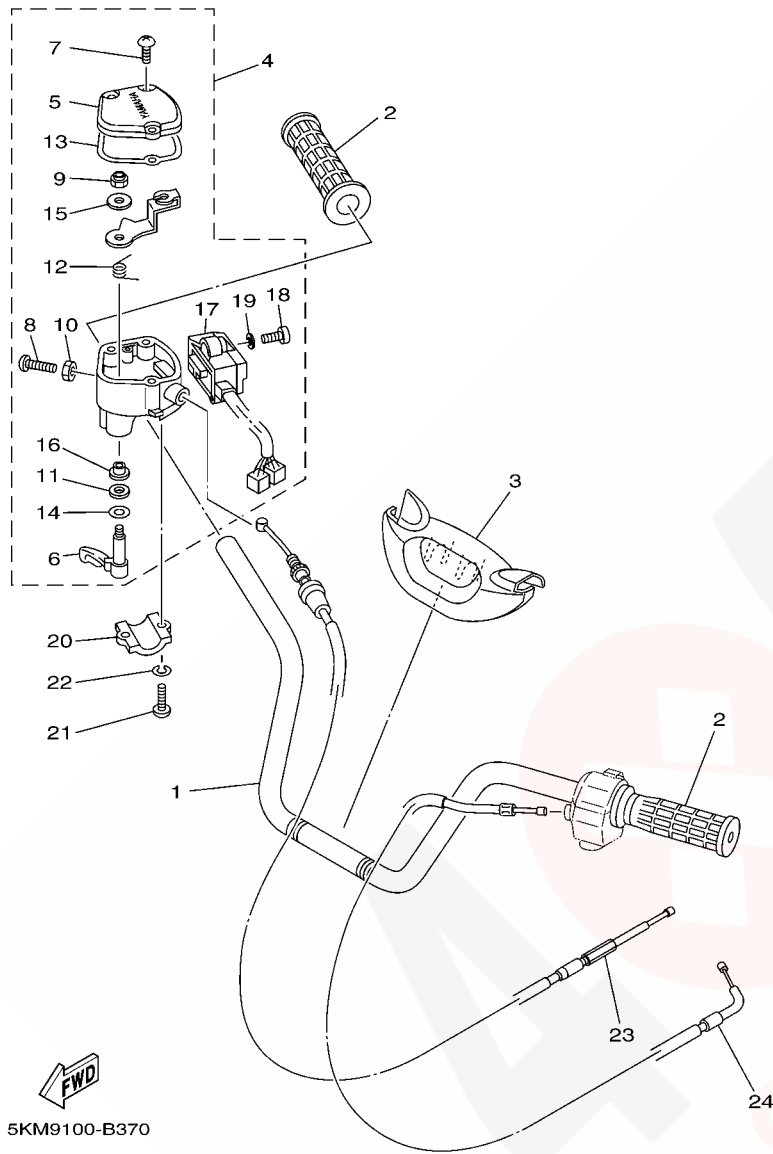
FIG. 36 REAR BRAKE CALIPER

REF. NO.	PART NO.	DESCRIPTION	USA	CAN	REMARKS
1	5KM-2582V-00	DISC, REAR BRAKE 1	1	1	
2	90109-06038	BOLT	6	6	
3	95617-06100	NUT, U	6	6	
4	5KM-2580V-00	CALIPER ASSY, REAR 1	1	1	
5	5KM-W0057-00	.PISTON ASSY, CALIPER	4	4	
6	5KM-W0047-00	..CALIPER SEAL KIT	1	1	
7	1UY-W0048-50	.BLEED SCREW KIT	2	2	
8	5KM-W0046-00	.BRAKE PAD KIT 2	1	1	
9	5KM-25919-00	.SUPPORT, PAD	1	1	
10	8CR-25924-00	.PIN, PAD	1	1	
11	8CR-25926-00	.BOLT	1	1	
12	90105-10634	BOLT, FLANGE	2	2	



5KM9100-B360

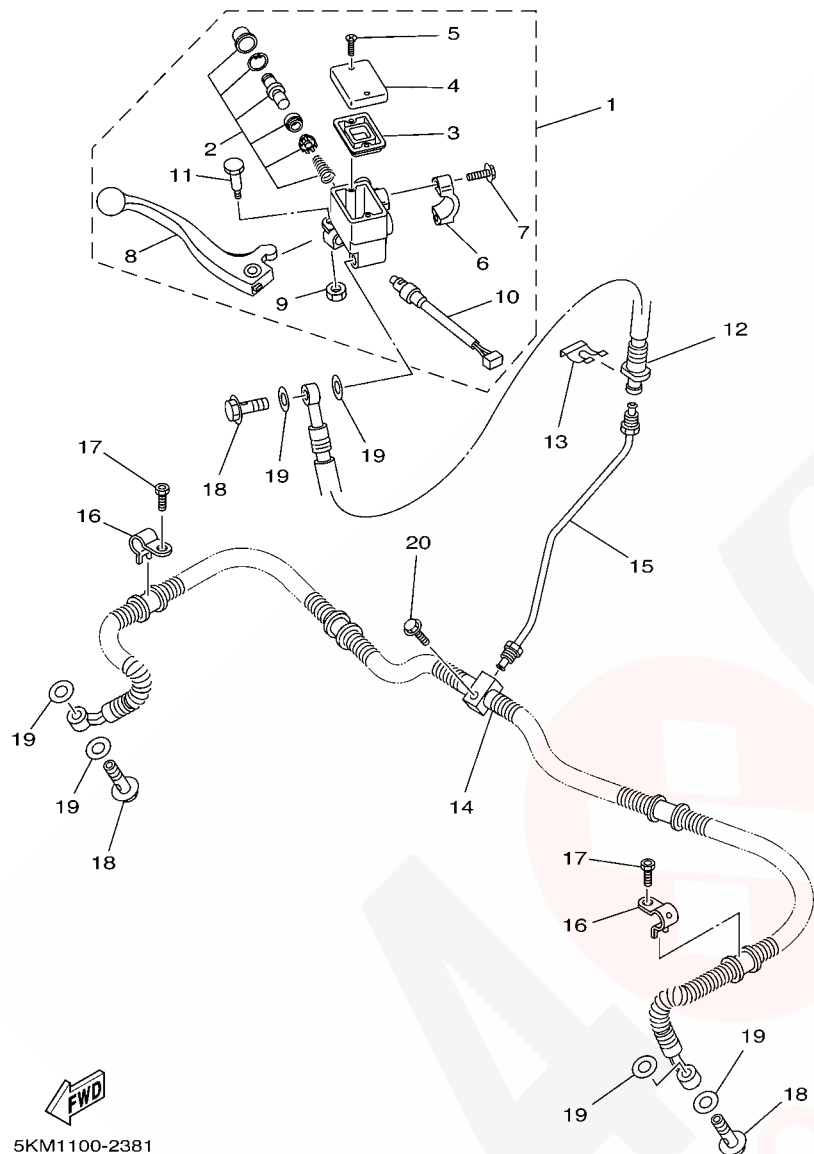
FIG. 37 STEERING HANDLE & CABLE



5KM9100-B370

REF. NO.	PART NO.	DESCRIPTION	USA	CAN	REMARKS
1	5KM-26111-00	HANDLEBAR	1	1	
2	5LP-26241-00	GRIP	2	2	
3	5KM-26124-00	PROTECTOR, HANDLEBAR	1	1	
4	5KM-26250-00	THROTTLE LEVER ASSY	1	1	
5	4KB-2628F-10	.CAP, GEAR	1	1	
6	1NV-2625G-01	.LEVER, THROTTLE	1	1	
7	90149-04278	.SCREW	3	3	
8	98507-05020	.SCREW, PAN HEAD	1	1	
9	95607-05100	.NUT, U	1	1	
10	95307-05700	.NUT	1	1	
11	93104-09025	.OIL SEAL	1	1	
12	1NV-26304-00	.SPRING	1	1	
13	4KB-2628G-00	.GASKET	1	1	
14	1NV-26129-00	.WASHER	1	1	
15	1NV-26398-00	.WASHER	1	1	
16	1NV-2625K-00	.COLLAR	1	1	
17	5KM-83976-00	.SWITCH, HANDLE 1	1	1	
18	98507-04016	.SCREW, PAN HEAD	2	2	
19	92907-04600	.WASHER	2	2	
20	4V4-82913-00	HOLDER, LEVER LOWER 1	1	1	
21	98507-05020	SCREW, PAN HEAD	2	2	
22	92907-05100	WASHER, SPRING	2	2	
23	5KM-26311-10	CABLE, THROTTLE 1	1	1	
24	5KM-26331-10	CABLE, STARTER 1	1	1	

FIG. 38 FRONT MASTER CYLINDER



REF. NO.	PART NO.	DESCRIPTION	USA	CAN	REMARKS
1	5KM-2583T-01	MASTER CYLINDER ASSY	1	1	
2	8CR-W0041-00	.CYLINDER KIT, MASTER	1	1	
3	4L0-25854-00	.DIAPHRAGM, RESERVOIR	1	1	
4	5JX-25852-01	.CAP, RESERVOIR	1	1	
5	98706-04012	.SCREW, FLAT HEAD	2	2	
6	5GH-25867-00	.BRACKET, MASTER CYLINDER	1	1	
7	5EB-26332-00	.BOLT	2	2	
8	5KM-83922-00	.LEVER 2	1	1	
9	95606-06100	.NUT, U	1	1	
10	5LP-83980-00	.FRONT STOP SWITCH ASSY	1	1	
11	1FK-2589F-00	.BOLT, LEVER	1	1	
12	5KM-25872-00	HOSE, BRAKE 1	1	1	
13	2GU-25866-00	CIRCLIP	1	1	
14	5KM-25873-10	HOSE, BRAKE 2	1	1	
15	5KM-25871-00	PIPE, BRAKE	1	1	
16	5KM-25875-00	HOLDER, BRAKE HOSE 1	2	2	
17	91317-06010	BOLT	2	2	
18	90401-10159	BOLT, UNION	3	3	
19	90201-10118	WASHER, PLATE	6	6	
20	95827-06025	BOLT, FLANGE	1	1	



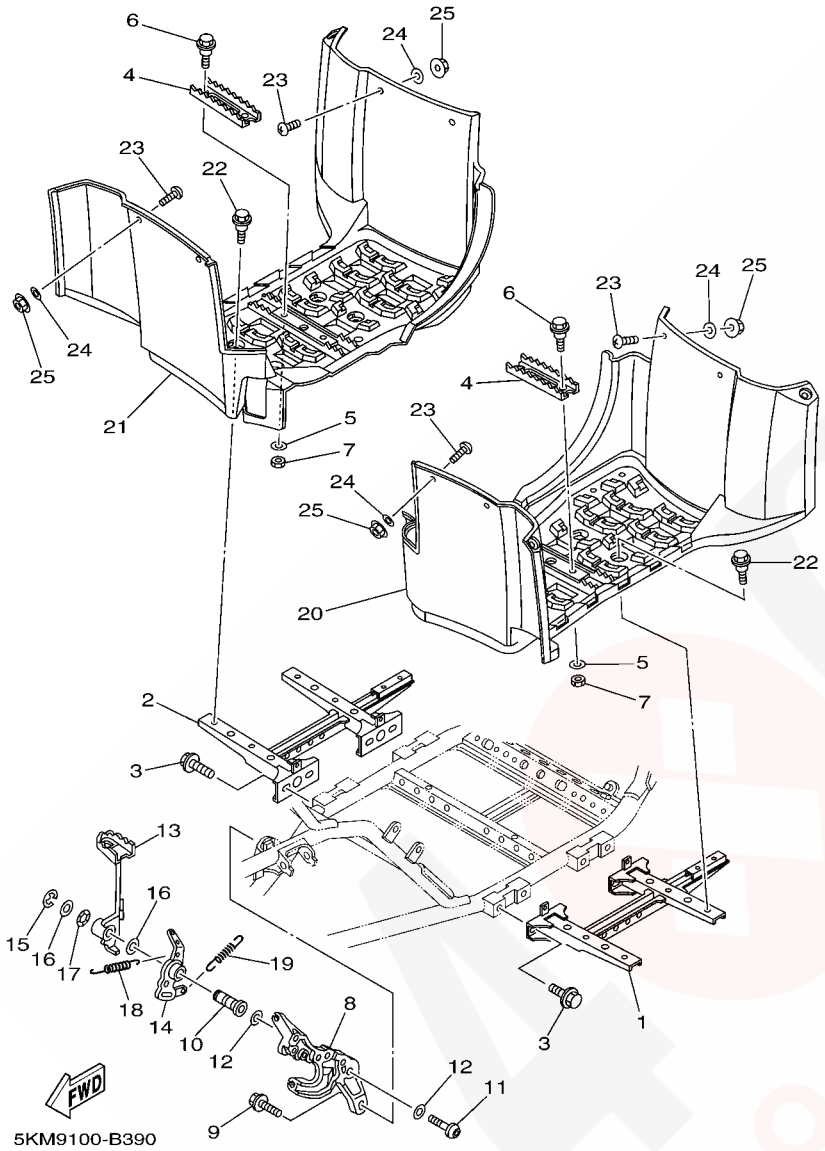
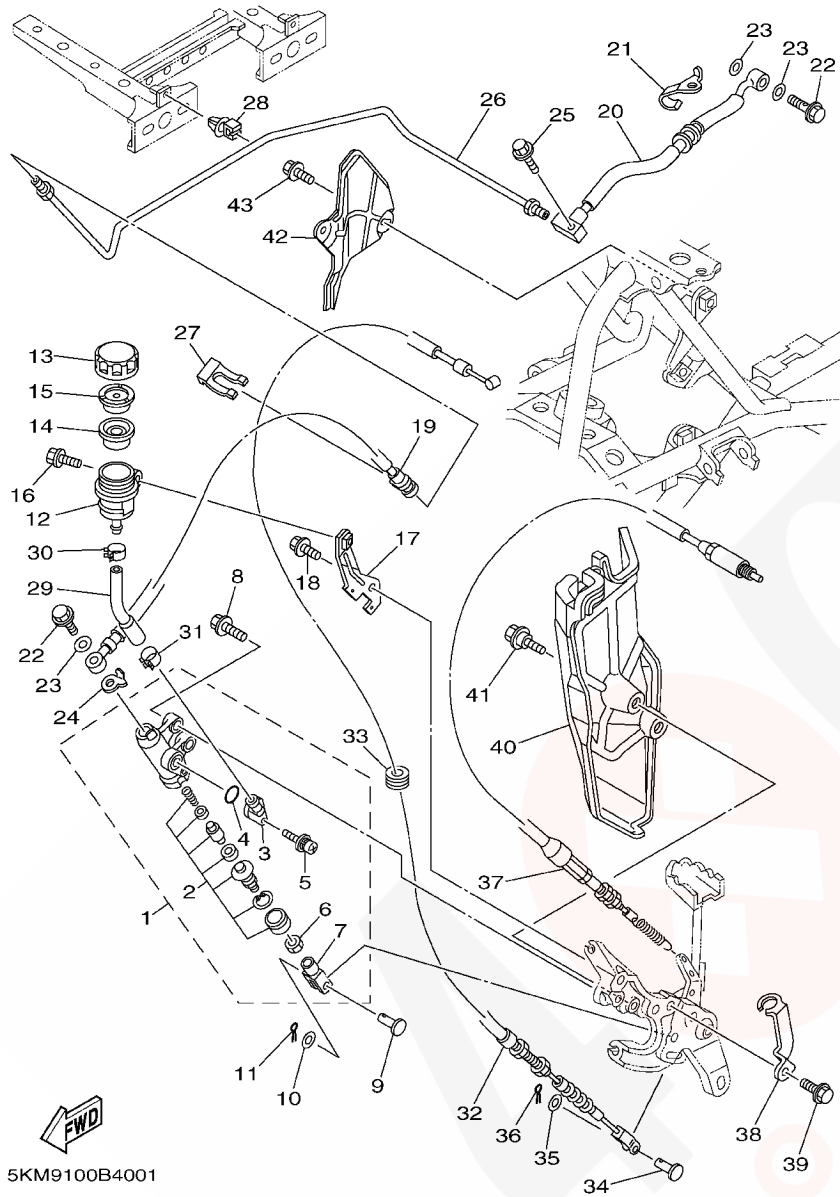


FIG. 39 STAND & FOOTREST

REF. NO.	PART NO.	DESCRIPTION	USA	CAN	REMARKS
1	5KM-27481-10	BOARD, FOOTREST	1	1	
2	5KM-27488-10	BOARD, FOOTREST 2	1	1	
3	95817-08012	BOLT, FLANGE	8	8	
4	5GH-2741A-00	ARM 1	2	2	
5	90201-06071	WASHER, PLATE	4	4	
6	90109-063F5	BOLT	4	4	
7	95317-06600	NUT	4	4	
8	5KM-27263-00	BRACKET 1	1	1	
9	95817-08025	BOLT, FLANGE	2	2	
10	5KM-27212-10	SHAFT, BRAKE PEDAL	1	1	
11	90149-08296	SCREW	1	1	
12	90201-08784	WASHER, PLATE	2	2	
13	5KM-27211-00	PEDAL, BRAKE	1	1	
14	5KM-27252-00	LEVER, BRAKE PEDAL	1	1	
15	99001-10600	CIRCLIP	1	1	
16	90201-144J2	WASHER, PLATE	2	2	
17	90206-14086	WASHER, WAVE	1	1	
18	90506-16318	SPRING, TENSION	1	1	
19	90506-12441	SPRING, TENSION	1	1	
20	5KM-27453-01	COVER 1	1	1	
21	5KM-27463-01	COVER 2	1	1	
22	90109-063F1	BOLT	8	8	
23	90149-06021	SCREW	12	12	
24	90201-06557	WASHER, PLATE	12	12	
25	95707-06300	NUT, FLANGE	12	12	



5KM9100B4001

FIG. 40 REAR MASTER CYLINDER

REF. NO.	PART NO.	DESCRIPTION	USA	CAN	REMARKS
1	5KM-2583V-00	RR. MASTER CYLINDER ASSY.	1	1	
2	5KM-W0042-50	.CYLINDER KIT, MASTER	1	1	
3	31A-2582A-50	.JOINT	1	1	
4	93210-15620	.O-RING	1	1	
5	3GM-2589H-00	.SCREW	1	1	
6	4SS-27218-00	.NUT	2	2	
7	2YK-27222-00	.JOINT	1	1	
8	95817-08025	BOLT, FLANGE	2	2	
9	90240-08013	PIN, CLEVIS	1	1	
10	90201-08083	WASHER, PLATE	1	1	
11	91401-16012	PIN, COTTER	1	1	
12	5JJ-25894-00	TANK, RESERVOIR	1	1	
13	3XP-25852-50	CAP, RESERVOIR	1	1	
14	2VN-25854-00	DIAPHRAGM, RESERVOIR	1	1	
15	2VN-25855-00	BUSH,DIAPHRAGM	1	1	
16	95827-06012	BOLT, FLANGE	1	1	
17	5KM-2133G-10	BRACKET, RESERVER	1	1	
18	95827-06008	BOLT, FLANGE	1	1	
19	5KM-25874-00	HOSE, BRAKE	1	1	
20	5KM-2581J-10	HOSE, BRAKE 4	1	1	
21	5KM-25886-00	HOLDER, BRAKE HOSE	1	1	
22	90401-10159	BOLT, UNION	2	2	
23	90201-10118	WASHER, PLATE	3	3	
24	5GH-25844-00	WASHER, LOCK	1	1	
25	95827-06025	BOLT, FLANGE	1	1	
26	5KM-25882-00	PIPE, BRAKE 2	1	1	
27	2GU-25866-00	CIRCLIP	1	1	

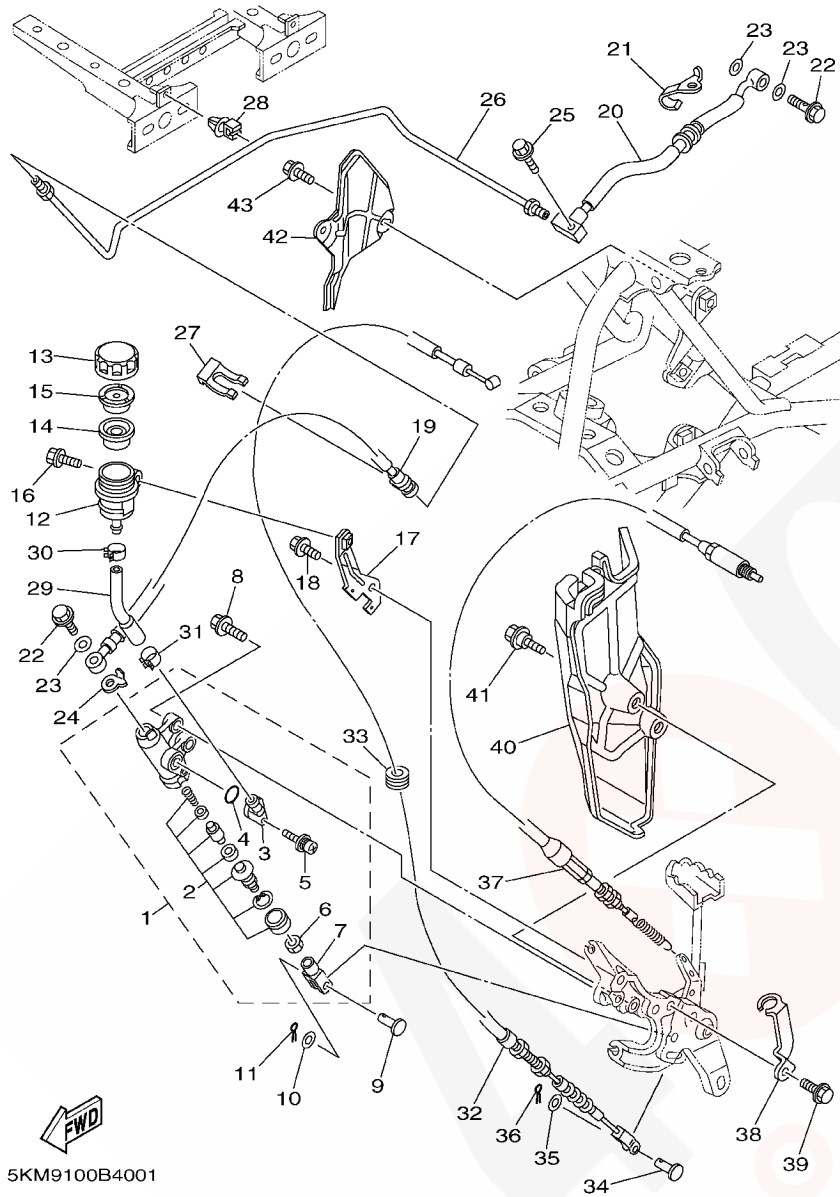
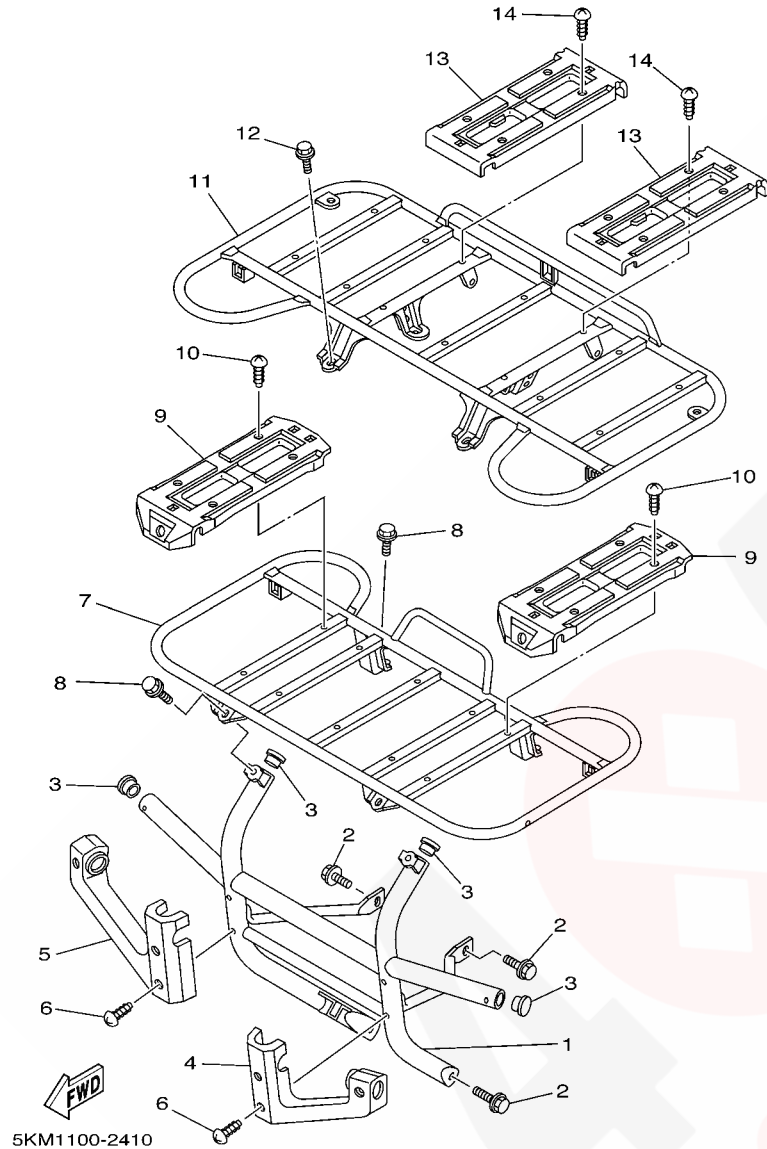


FIG. 40 REAR MASTER CYLINDER

REF. NO.	PART NO.	DESCRIPTION	USA	CAN	REMARKS
28	5KM-81677-00	CLAMP 1	3	3	
29	5LP-25895-00	HOSE, RESERVOIR	1	1	
30	90467-11044	CLIP	1	1	
31	90467-14057	CLIP	1	1	
32	5KM-26341-00	CABLE, BRAKE	1	1	
33	90480-18418	GROMMET	1	1	
34	90240-06076	PIN, CLEVIS	1	1	
35	90201-06042	WASHER, PLATE	1	1	
36	91401-20012	PIN, COTTER	1	1	
37	5KM-2637F-00	CABLE, CONTROL 2	1	1	
38	5KM-21441-00	BRACKET, STOP SWITCH	1	1	
39	95827-06008	BOLT, FLANGE	1	1	
40	5KM-27491-00	PROTECTOR	1	1	
41	90109-063F1	BOLT	2	2	
42	5KM-2117G-10	PROTECTOR	1	1	
43	95827-06008	BOLT, FLANGE	2	2	

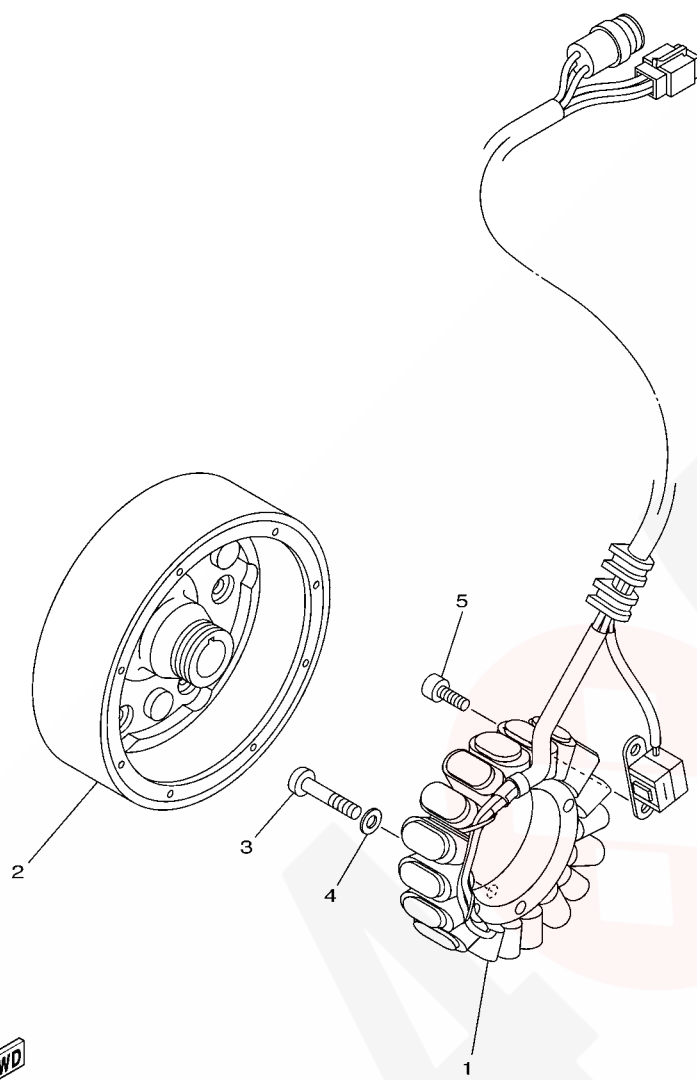
**FIG. 41 GUARD**



REF. NO.	PART NO.	DESCRIPTION	USA	CAN	REMARKS
1	5KM-2845N-00	BAR, CARRY FRONT	1	1	
2	95827-08012	BOLT, FLANGE	4	4	
3	5KM-2482H-00	CAP	4	4	
4	5KM-2842M-00	COVER 1	1	1	
5	5KM-2842N-00	COVER 2	1	1	
6	90167-05025	SCREW, TAPPING	6	6	
7	5KM-24841-10	CARRIER, FRONT	1	1	
8	95827-08012	BOLT, FLANGE	4	4	
9	5KM-24845-00	COVER 1	2	2	
10	97707-50016	SCREW, TAPPING	8	8	
11	5KM-24842-20	CARRIER, REAR	1		
	5KM-24842-30	CARRIER, REAR		1	
12	95827-08014	BOLT, FLANGE	4	4	
13	5KM-24846-00	COVER 2	2	2	
14	97707-50016	SCREW, TAPPING	8	8	

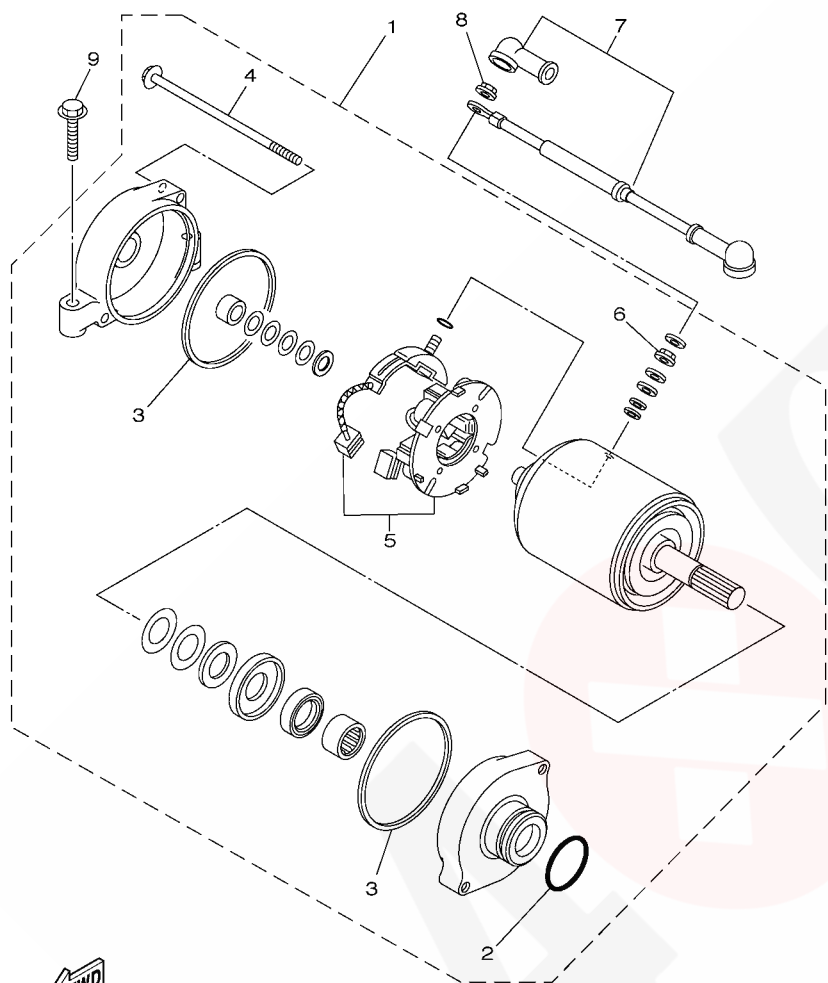
**FIG. 42 GENERATOR**

REF. NO.	PART NO.	DESCRIPTION	USA	CAN				REMARKS
1	5KM-81410-00	STATOR ASSY	1	1				
2	5KM-81450-10	ROTOR ASSY	1	1				
3	98507-06030	SCREW, PAN HEAD	3	3				
4	92907-06600	WASHER, PLATE	3	3				
5	91317-05012	BOLT	2	2				
<hr style="border-top: 1px dashed black;"/>								
<hr style="border-top: 1px dashed black;"/>								
<hr style="border-top: 1px dashed black;"/>								
<hr style="border-top: 1px dashed black;"/>								
<hr style="border-top: 1px dashed black;"/>								
<hr style="border-top: 1px dashed black;"/>								
<hr style="border-top: 1px dashed black;"/>								



5KM1100-2420

FIG. 43 STARTING MOTOR



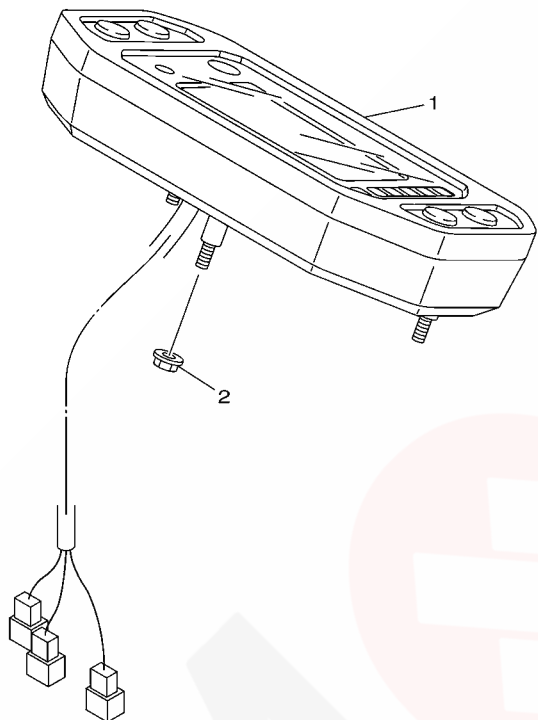
REF. NO.	PART NO.	DESCRIPTION	USA	CAN	REMARKS
1	5KM-81890-00	MOTOR ASSY	1	1	
2	1FK-81847-00	.O-RING	1	1	
3	11H-81844-00	.GASKET	2	2	
4	3AJ-81826-00	.BOLT	2	2	
5	3AJ-81801-00	.BRUSH SET	1	1	
6	4XV-8182A-00	.NUT	1	1	
7	5KM-81815-00	CORD, STARTER MOTOR	1	1	
8	4XV-8182A-00	NUT	1	1	
9	95027-06030	BOLT, FLANGE	2	2	



5ND6100-C440

**FIG. 44 METER**

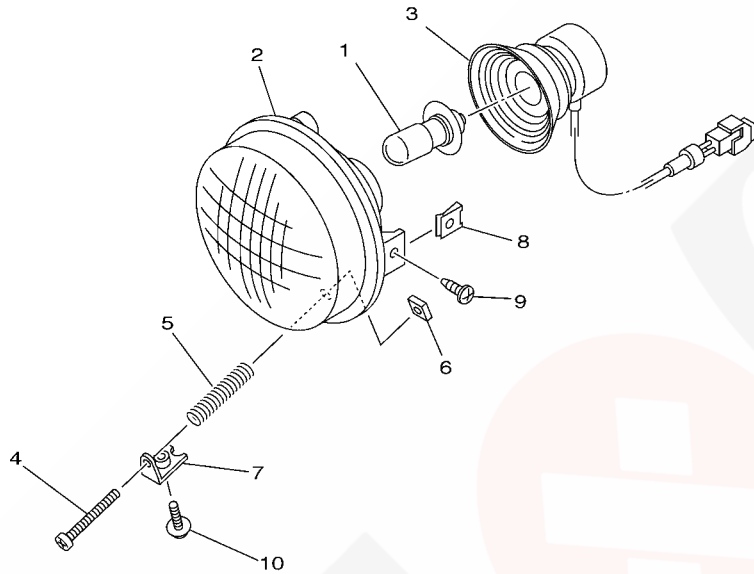
REF. NO.	PART NO.	DESCRIPTION	USA	CAN		REMARKS
1	5KM-83500-20	SPEEDOMETER ASSY	1			MILE/H
	5KM-83500-30	SPEEDOMETER ASSY		1		KM/H
2	95707-05500	NUT, FLANGE	3	3		
-----						
-----						
-----						
-----						
-----						
-----						
-----						
-----						



5KM9100-B440

FIG. 45 HEADLIGHT

REF. NO.	PART NO.	DESCRIPTION	USA	CAN	REMARKS
1	4KB-84314-01	BULB (12V-30/30W)	2	2	
2	5KM-84320-00	LENS ASSY	2	2	
3	5EH-84340-00	SOCKET CORD ASSY 1	2	2	
4	98507-03540	SCREW, PAN HEAD	2	2	
5	2GU-84332-00	SPRING, SCREW	2	2	
6	2GU-84334-00	NUT, ADJUSTING	2	2	
7	5KM-84703-00	BRACKET	2	2	
8	90183-05008	NUT, SPRING	4	4	
9	90154-05004	SCREW, BINDING	4	4	
10	90159-05022	SCREW, WITH WASHER	2	2	

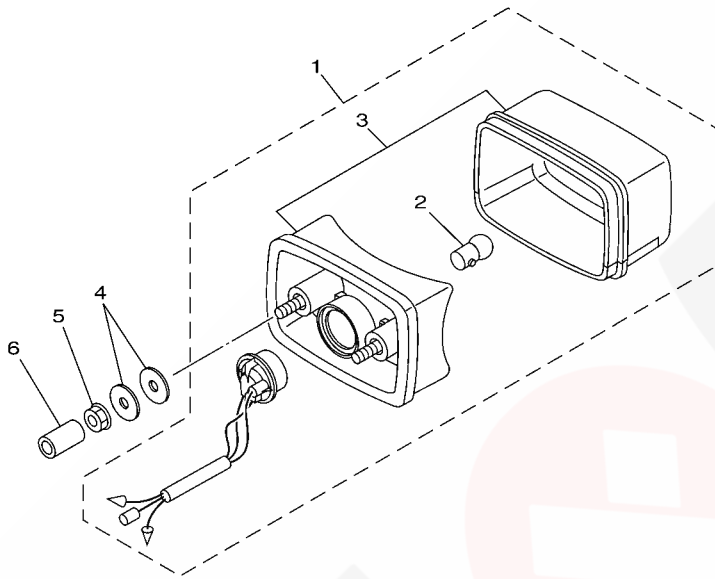


5KM1100-2450



FIG. 46 TAILLIGHT

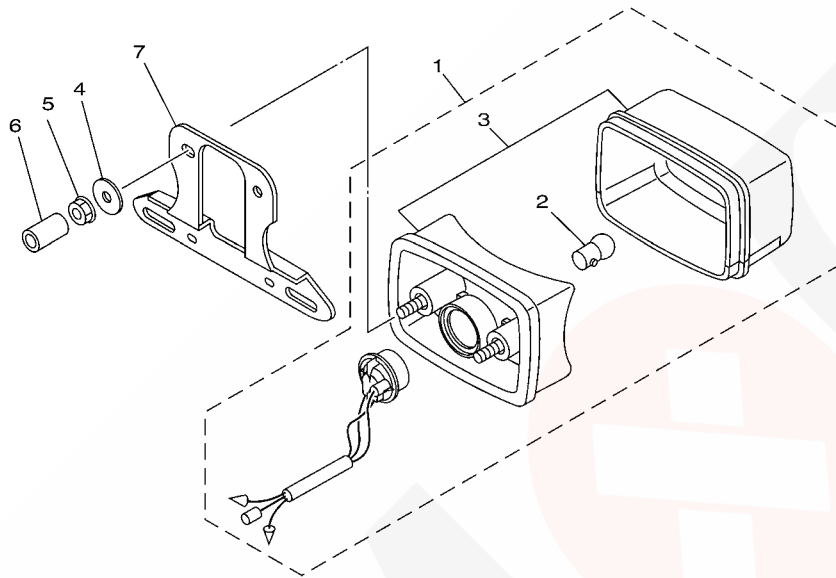
REF. NO.	PART NO.	DESCRIPTION	USA	CAN				REMARKS
1	5KM-84710-00	TAILLIGHT UNIT ASSY	1					
2	1A2-84714-41	.BULB (12V-21/5W)	1					
3	5KM-8472C-10	.LENS, TAILLIGHT	1					
4	90201-06074	WASHER, PLATE	4					
5	95707-06300	NUT, FLANGE	2					
6	90445-09220	HOSE (L30)	2					



5KM1100-2461

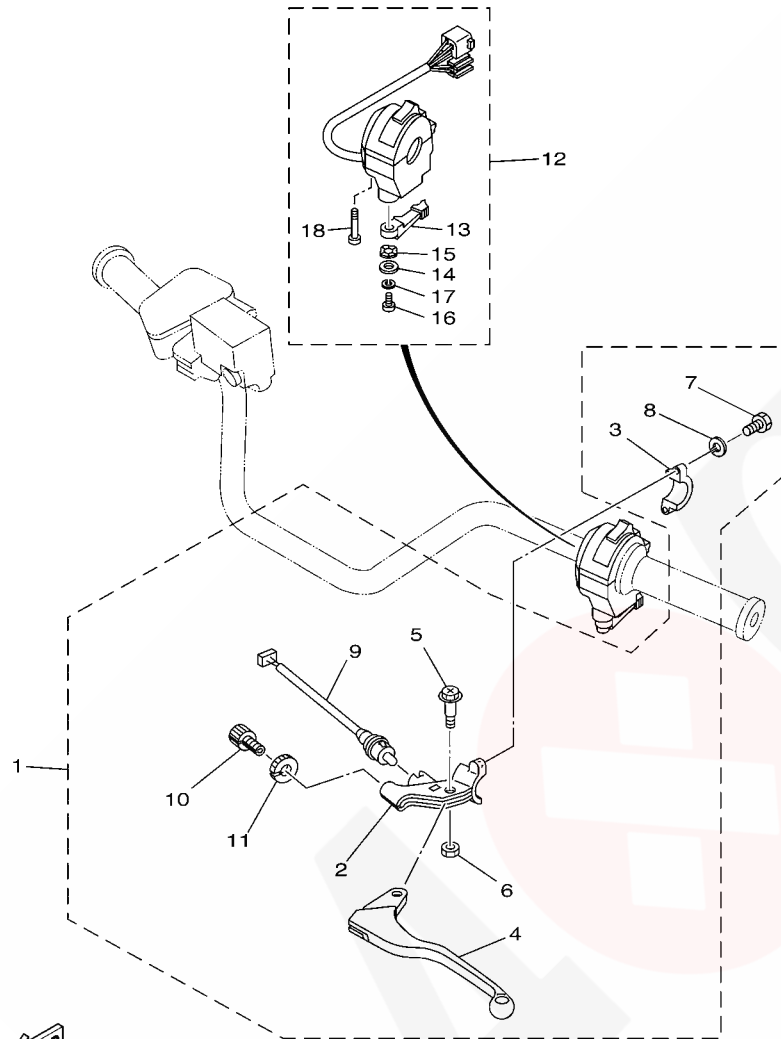
FIG. 47 TAILLIGHT 2

REF. NO.	PART NO.	DESCRIPTION	USA	CAN	REMARKS
1	5KM-84710-00	TAILLIGHT UNIT ASSY		1	
2	1A2-84714-41	.BULB (12V-21/5W)		1	
3	5KM-8472C-10	.LENS, TAILLIGHT		1	
4	90201-06074	WASHER, PLATE		2	
5	95707-06300	NUT, FLANGE		2	
6	90445-09220	HOSE (L30)		2	
7	5GH-84751-10	BRACKET, LICENSE		1	



5KM1100-2471

FIG. 48 HANDLE SWITCH & LEVER



5KM1100-2480

REF. NO.	PART NO.	DESCRIPTION	USA	CAN	REMARKS
1	5KM-82910-01	LEVER HOLDER ASSY (LEFT)	1	1	
2	1YW-82911-02	.HOLDER, LEVER 1	1	1	
3	2XJ-82913-00	.HOLDER, LEVER LOWER 1	1	1	
4	23X-83912-00	.LEVER 1	1	1	
5	90109-06799	.BOLT	1	1	
6	95607-06100	.NUT, U	1	1	
7	98507-06020	.SCREW, PAN HEAD	2	2	
8	92907-06100	.WASHER, SPRING	2	2	
9	5KM-82917-00	.SWITCH	1	1	
10	90123-08046	.BOLT	1	1	
11	90179-08148	.NUT	1	1	
12	5LP-83973-01	SWITCH, HANDLE 3	1	1	
13	5GH-83941-00	.LEVER, STARTER	1	1	
14	1UY-83909-00	.WASHER, SPECIAL	1	1	
15	3L4-83943-00	.WASHER, STARTER	1	1	
16	98517-05012	.SCREW, PAN HEAD	1	1	
17	92907-05100	.WASHER, SPRING	1	1	
18	98507-05030	.SCREW, PAN HEAD	2	2	

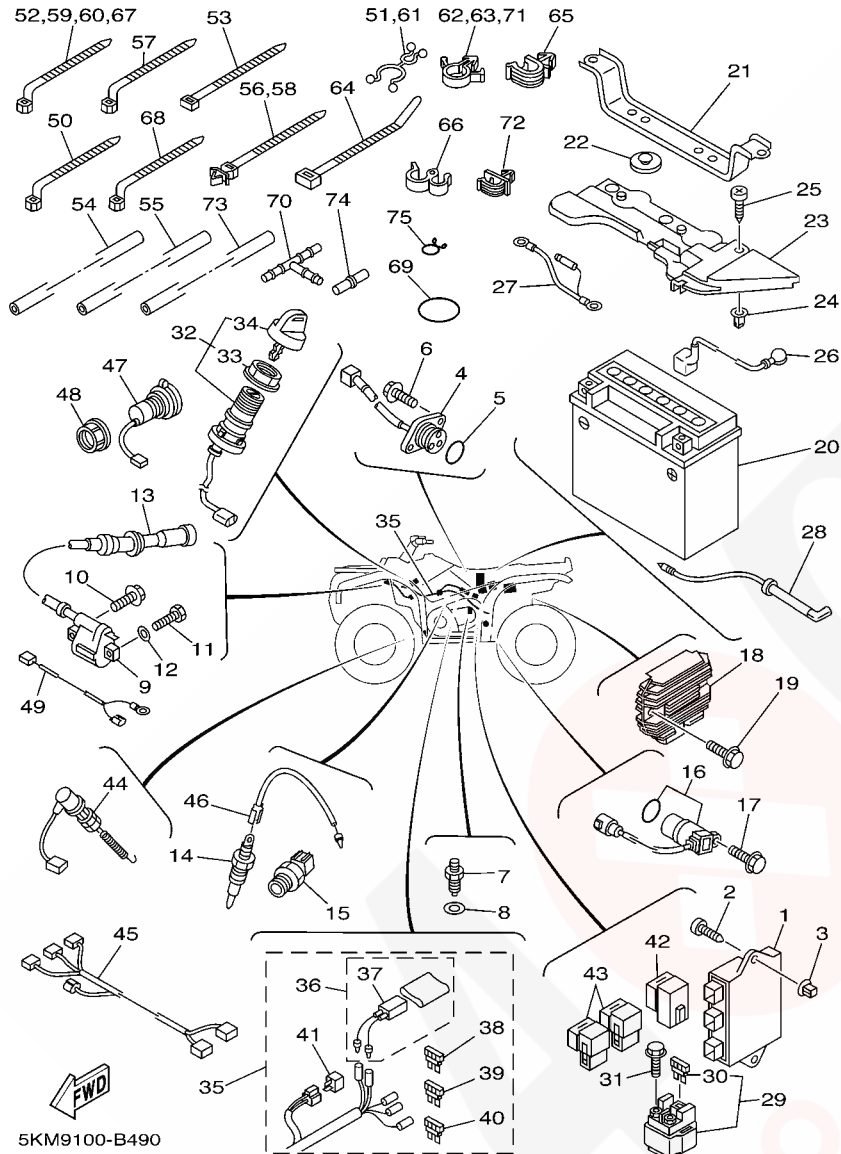


FIG. 49 ELECTRICAL 1

REF. NO.	PART NO.	DESCRIPTION	USA	CAN	REMARKS
1	5KM-85540-00	C.D.I. UNIT ASSY	1	1	
2	97707-60025	SCREW, TAPPING	1	1	
3	90338-08226	PLUG	1	1	
4	5KM-82540-00	NEUTRAL SWITCH ASSY	1	1	
5	93210-29196	O-RING	1	1	
6	90119-06044	BOLT, WITH WASHER	2	2	
7	3GB-82540-01	NEUTRAL SWITCH ASSY	1	1	
8	90430-10148	GASKET	1	1	
9	3KJ-82310-10	IGNITION COIL ASSY	1	1	
10	90109-06723	BOLT	1	1	
11	97007-06020	BOLT	1	1	
12	92907-06600	WASHER, PLATE	1	1	
13	3YF-82370-00	PLUG CAP ASSY	1	1	
14	5KM-82560-00	THERMO SWITCH ASSY	1	1	
15	5GM-82560-00	THERMO SWITCH ASSY	1	1	
16	5LV-83755-00	SENSOR, SPEED	1	1	
17	91317-06016	BOLT	1	1	
18	5BN-81960-00	RECTIFIER & REGULATOR ASSY	1	1	
19	95807-06020	BOLT, FLANGE	1	1	
20	4SH-82100-22	BATTERY ASSY (YUASA YTX20L-BS)	1	1	
21	5KM-82128-00	BRACKET, BATTERY	1	1	
22	371-82121-00	PAD, BATTERY	2	2	
23	5KM-82129-00	COVER, BATTERY	1	1	
24	90338-08226	PLUG	1	1	
25	97707-60016	SCREW, TAPPING	1	1	
26	5KM-82115-00	WIRE, PLUS LEAD	1	1	
27	5KM-82116-00	WIRE, MINUS LEAD	1	1	

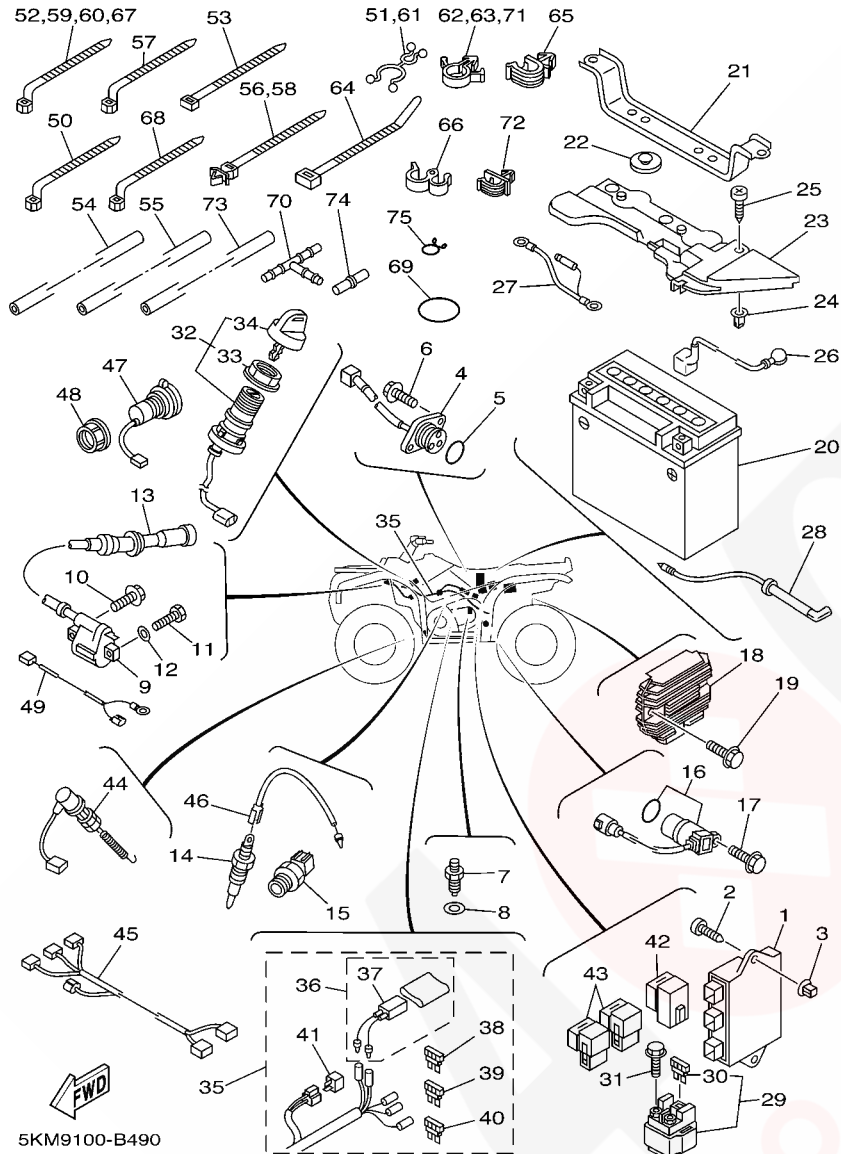


FIG. 49 ELECTRICAL 1

REF. NO.	PART NO.	DESCRIPTION	USA	CAN	REMARKS
28	5KM-82541-00	WIRE, LEAD	1	1	
29	4SV-81940-00	STARTER RELAY ASSY	1	1	
30	1AE-82151-00	.FUSE (30A-BL)	2	2	
31	95027-06008	BOLT, FLANGE	2	2	
32	5KM-82510-00	MAIN SWITCH ASSY	1	1	
33	3HN-82569-00	.NUT, MAIN SWITCH	1	1	
34	3HN-82579-00	.CAP, KEY	1	1	
35	5KM-82590-00	WIRE HARNESS ASSY	1	1	
36	5GT-82180-00	.CIRCUIT BREAKER ASSY	1	1	
37	5GT-82560-00	..THERMO SWITCH ASSY	1	1	
38	5JJ-82151-10	.FUSE (15A-BL)	2	2	
39	5JJ-82151-30	.FUSE (10A-BL)	5	5	
40	5JJ-82151-50	.FUSE (3A-BL)	2	2	
41	3WP-81980-00	.DIODE ASSY	1	1	
42	29U-81950-93	RELAY ASSY	1	1	
43	5DM-81950-00	RELAY ASSY (G8HN-1C4T-DJ-Y52)	2	2	
44	5KM-82530-00	STOP SWITCH ASSY	1	1	
45	5KM-82309-00	WIRE, SUB LEAD	1	1	
46	5KM-82507-00	WIRE, LEAD	1	1	
47	5GH-8254B-00	TERMINAL COMP.	1	1	
48	5GH-82114-00	NUT	1	1	
49	5KM-82509-00	WIRE, SUB LEAD	1	1	
50	90464-12045	CLAMP	2	2	
51	90464-35047	CLAMP	1	1	
52	90464-15195	CLAMP	1	1	
53	437-83936-01	BAND, SWITCH CORD	4	4	
54	90445-07371	HOSE (L700)	1	1	

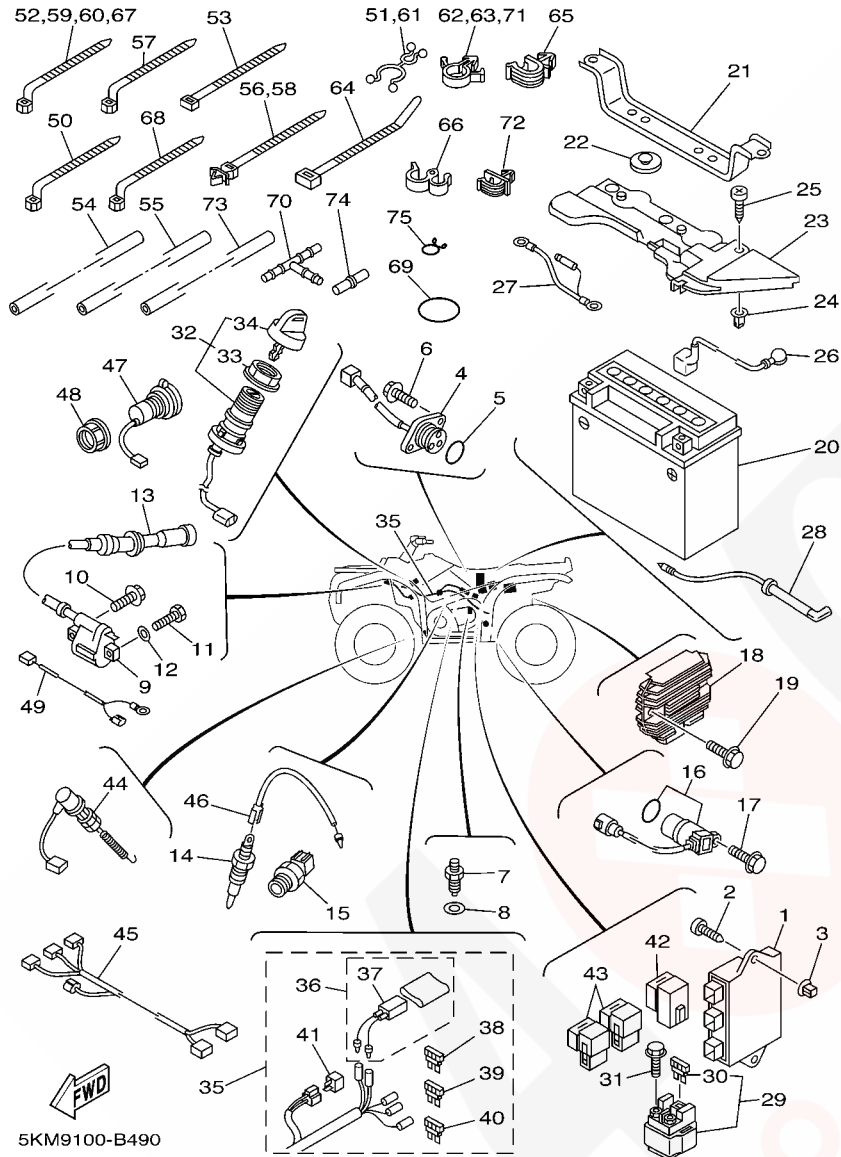
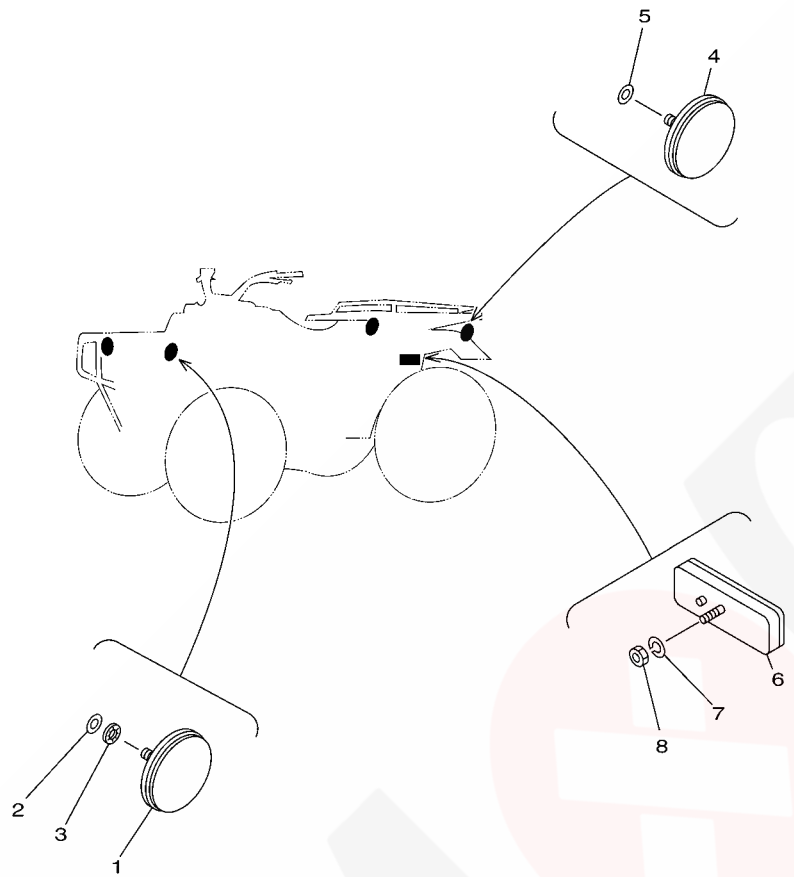


FIG. 49 ELECTRICAL 1

REF. NO.	PART NO.	DESCRIPTION	USA	CAN	REMARKS
55	90445-07176	HOSE (L200)	1	1	
56	90464-12089	CLAMP	1	1	
57	90460-15126	CLAMP, HOSE	1	1	
58	90464-12089	CLAMP	2	2	
59	90464-15195	CLAMP	1	1	
60	90464-15195	CLAMP	1	1	
61	90464-35047	CLAMP	1	1	
62	90464-15157	CLAMP	1	1	
63	90464-15157	CLAMP	1	1	
64	90465-10098	CLAMP	1	1	
65	90464-14M55	CLAMP	1	1	
66	90468-15139	CLIP	1	1	
67	90464-15195	CLAMP	1	1	
68	90464-13073	CLAMP	1	1	
69	93210-975A9	O-RING	1	1	
70	90413-05014	WAY 3	1	1	
71	90464-15157	CLAMP	1	1	
72	90464-07001	CLAMP	1	1	
73	90446-09155	HOSE (L970)	1	1	
74	5KM-82109-00	JOINT, HOSE	2	2	
75	90467-08021	CLIP	1	1	

FIG. 50 ELECTRICAL 2



  
5GH3100-0480

REF. NO.	PART NO.	DESCRIPTION	USA	CAN	REMARKS
1	2EK-85111-00	REFLECTOR, FRONT 1		2	
2	92907-05200	WASHER		2	
3	90183-05024	NUT, SPRING		2	
4	449-85131-02	REFLECTOR, REAR 1		2	
5	92907-05200	WASHER		2	
6	3Y6-85130-02	REAR REFLECTOR ASSY		1	
7	92907-05100	WASHER, SPRING		1	
8	95307-05600	NUT		1	

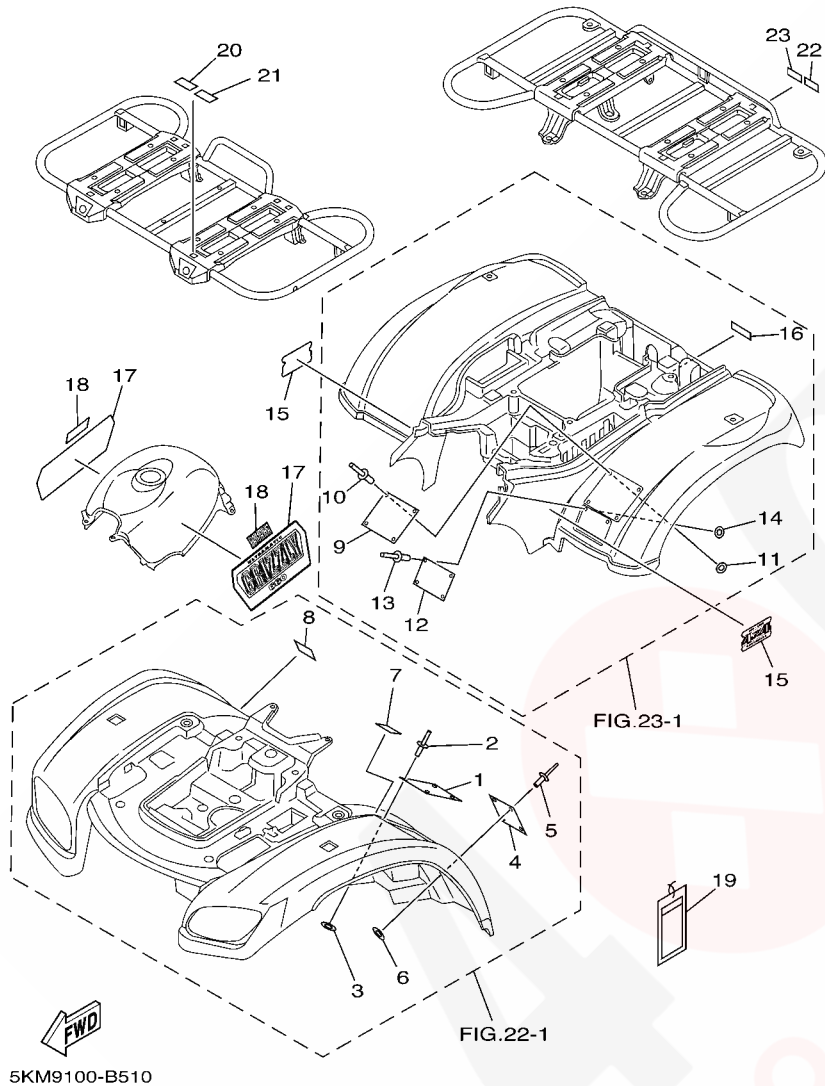


FIG. 51 EMBLEM & LABEL 1

REF. NO.	PART NO.	DESCRIPTION	USA	CAN	REMARKS
1	5FE-21568-01	LABEL, WARNING	1		ENGLISH
2	90267-32004	RIVET, BLIND	6		
3	90201-03313	WASHER, PLATE	6		
4	5FE-21697-01	LABEL, CAUTION 2	1		ENGLISH
5	90267-32004	RIVET, BLIND	4		
6	90201-03313	WASHER, PLATE	4		
7	5GH-2151E-00	LABEL 2	1		ENGLISH
8	5KM-21558-00	LABEL, WARNING 2	1		ENGLISH
9	5KM-21696-00	LABEL, CAUTION	1		ENGLISH
10	90267-32004	RIVET, BLIND	4		
11	90201-03313	WASHER, PLATE	4		
12	5FE-2151H-01	LABEL 5	1		ENGLISH
13	90267-32004	RIVET, BLIND	4		
14	90201-03313	WASHER, PLATE	4		
15	5KM-2163G-50	EMBLEM 1	2		UR FOR PDG
	5KM-2163G-60	EMBLEM 1	2		UR FOR RTR
	5KM-2163G-70	EMBLEM 1	2		UR FOR DNYS1
16	5KM-2151K-00	LABEL 7	1		ENGLISH
17	5KM-2173E-00	GRAPHIC 1	2		
18	3GD-2153E-20	EMBLEM, YAMAHA	2		UR FOR PDG
	3GD-2153E-30	EMBLEM, YAMAHA	2		UR FOR RTR, DNYS1
19	5KM-2819R-00	TAG, WARNING	1		
20	3MX-24875-A0	LABEL 1	1		ENGLISH
21	3GC-24877-A0	LABEL, CAUTION	1		ENGLISH
22	3MX-24875-A0	LABEL 1	1		ENGLISH
23	4WV-24877-A0	LABEL, CAUTION	1		ENGLISH



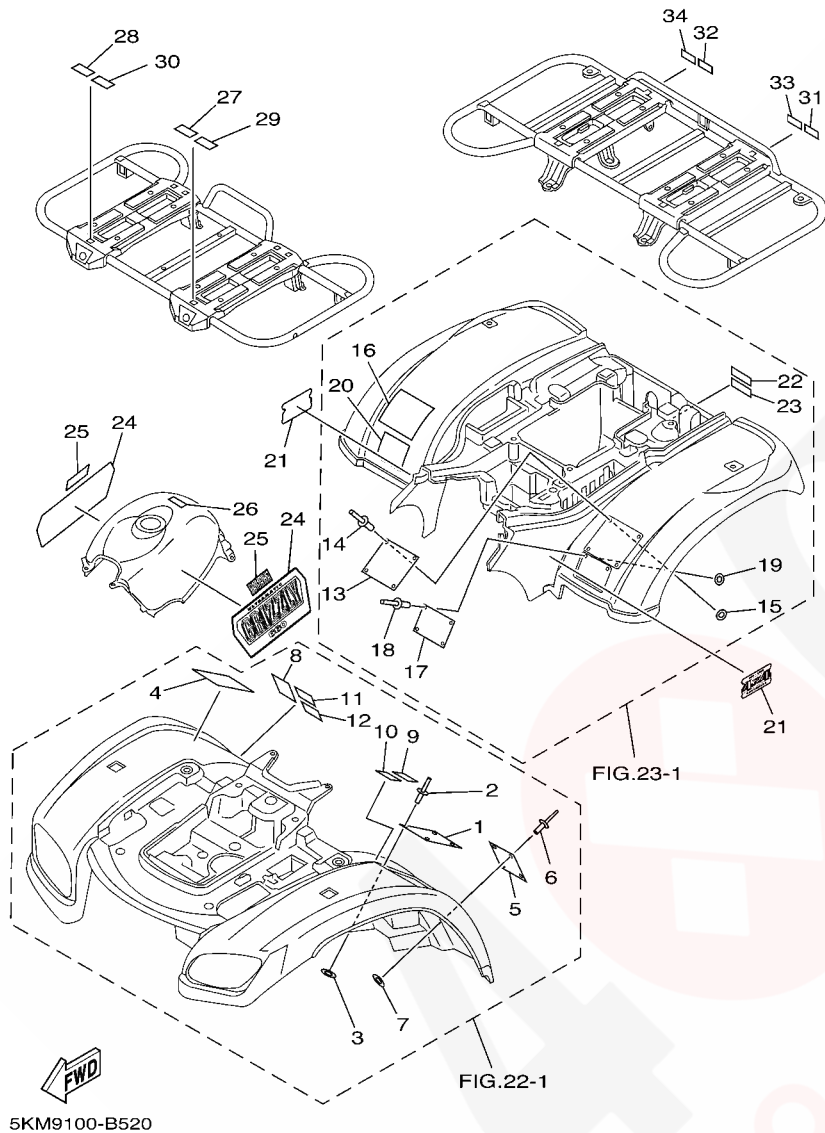


FIG. 52 EMBLEM & LABEL 2

REF. NO.	PART NO.	DESCRIPTION	USA	CAN	REMARKS
1	5FE-21568-01	LABEL, WARNING		1	ENGLISH
2	90267-32004	RIVET, BLIND		6	
3	90201-03313	WASHER, PLATE		6	
4	4WU-21568-10	LABEL, WARNING		1	FRENCH
5	5FE-21697-01	LABEL, CAUTION 2		1	ENGLISH
6	90267-32004	RIVET, BLIND		4	
7	90201-03313	WASHER, PLATE		4	
8	3JM-21697-10	LABEL, CAUTION 2		1	FRENCH
9	5GH-2151E-00	LABEL 2		1	ENGLISH
10	5GH-2151E-10	LABEL 2		1	FRENCH
11	5KM-21558-00	LABEL, WARNING 2		1	ENGLISH
12	5KM-21558-10	LABEL, WARNING 2		1	FRENCH
13	5KM-21696-00	LABEL, CAUTION		1	ENGLISH
14	90267-32004	RIVET, BLIND		4	
15	90201-03313	WASHER, PLATE		4	
16	5KM-21696-10	LABEL, CAUTION		1	FRENCH
17	5FE-2151H-01	LABEL 5		1	ENGLISH
18	90267-32004	RIVET, BLIND		4	
19	90201-03313	WASHER, PLATE		4	
20	4WU-2151H-10	LABEL 5		1	FRENCH
21	5KM-2163G-50	EMBLEM 1		2	UR FOR PDG
	5KM-2163G-60	EMBLEM 1		2	UR FOR RTR
	5KM-2163G-80	EMBLEM 1		2	UR FOR DPBSE
22	5KM-2151K-00	LABEL 7		1	ENGLISH
23	5KM-2151K-10	LABEL 7		1	FRENCH
24	5KM-2173E-00	GRAPHIC 1		2	
25	3GD-2153E-20	EMBLEM, YAMAHA		2	UR FOR PDG, DPBSE

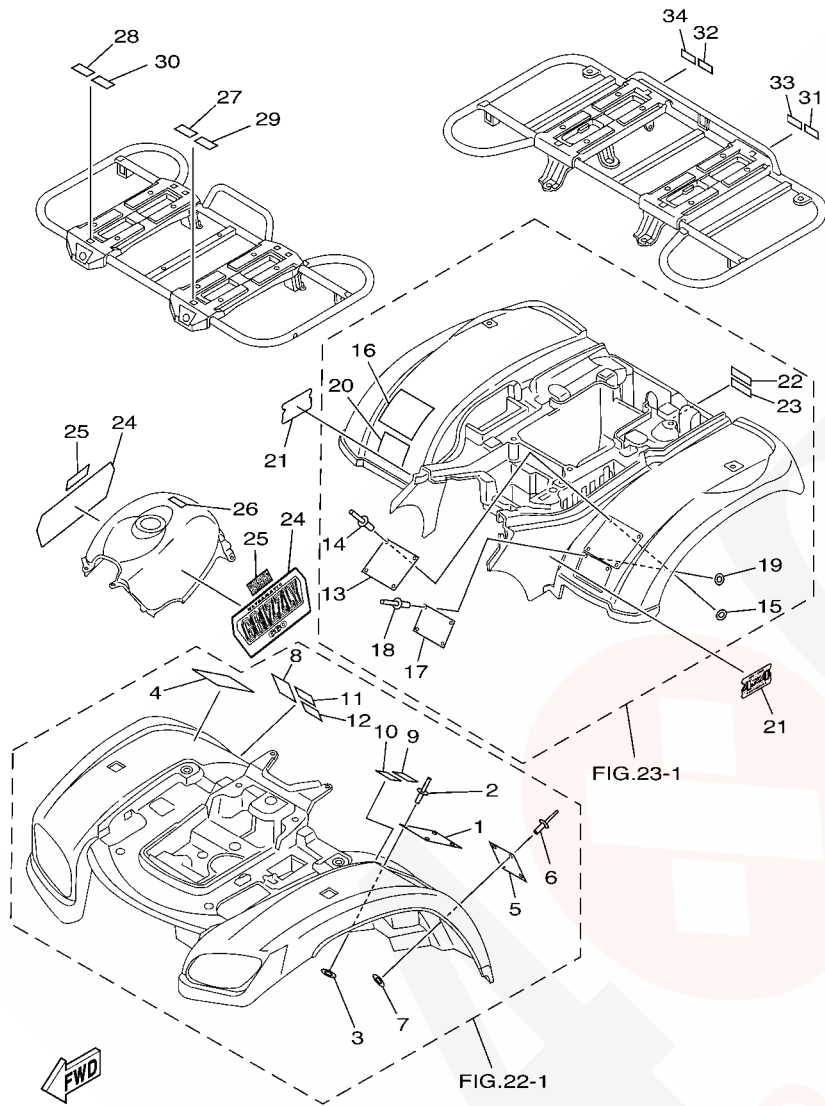


FIG. 52 EMBLEM & LABEL 2

REF. NO.	PART NO.	DESCRIPTION	USA	CAN	REMARKS
25	3GD-2153E-30	EMBLEM, YAMAHA		2	UR FOR RTR
26	4SH-2416E-00	LABEL, CAUTION CANADA		1	
27	3MX-24875-A0	LABEL 1		1	ENGLISH
28	3MX-24875-B0	LABEL 1		1	FRENCH
29	3GC-24877-A0	LABEL, CAUTION		1	ENGLISH
30	3GC-24877-B0	LABEL, CAUTION		1	FRENCH
31	3MX-24875-A0	LABEL 1		1	ENGLISH
32	3MX-24875-B0	LABEL 1		1	FRENCH
33	4WV-24877-A0	LABEL, CAUTION		1	ENGLISH
34	4WV-24877-B0	LABEL, CAUTION		1	FRENCH

5KM9100-B520



NUMERICAL INDEX

PART NO.	GRID NO.	PART NO.	GRID NO.	PART NO.	GRID NO.	PART NO.	GRID NO.	PART NO.	GRID NO.	PART NO.	GRID NO.
5KM-11101-01	B - 2	5KM-12216-00	B - 8	4KM-14142-40	C - 2	5KM-14788-00	C - 3	21V-15716-01	C - 9	4WV-17660-10	C - 11
5KM-11133-10	B - 2	5KM-12231-10	B - 8	4WV-14147-10	B - 15	5KM-14901-10	B - 15	21V-15719-00	C - 7	4CW-17664-00	C - 12
5KM-11134-10	B - 2	3YF-12233-00	B - 8	1UY-14155-00	C - 2	5KM-1490H-00	C - 2	5KM-15723-00	C - 9	4WV-17670-00	C - 11
5KM-11166-00	C - 5	5KM-12241-00	B - 8	522-14161-00	C - 2	5KM-1490J-00	B - 15	21V-15741-00	C - 9	5KM-17681-00	C - 13
3YF-11147-00	B - 4	3YF-12247-00	B - 8	127-14186-00	B - 15	5KM-14912-00	B - 15	21V-15751-00	C - 9	4WV-17684-00	C - 12
1L9-11186-00	B - 2	3YF-12284-00	B - 8	5KM-14190-30	B - 15	5GH-14918-00	B - 15	3X3-15755-00	C - 9	5KM-17832-00	C - 15
3YF-11187-00	B - 2	3YF-12288-00	B - 8	12R-14191-00	B - 15	5KM-14918-00	B - 15	21V-15767-00	C - 9	5KM-18104-00	D - 5
214-11198-01	B - 13	3YF-12290-00	B - 8	24W-14193-00	C - 2	4KM-14933-00	B - 15	21V-15779-00	C - 9	5KM-18115-10	D - 5
	D - 15	5KM-12405-00	B - 10	5KM-14193-00	C - 2	5KM-14937-00	C - 2	5KM-16181-00	B - 5	5KM-18129-00	D - 5
	E - 4	5KM-12411-01	B - 10	3YX-14197-00	C - 2	256-14956-01	C - 2	5KM-16611-00	C - 11	5KM-18131-00	D - 5
5KM-11310-00	B - 4	5KM-12413-00	B - 10	5KM-14197-10	C - 2	5KM-14968-00	C - 2	5KM-16620-00	C - 11	5KM-18146-00	D - 5
5KM-11351-00	B - 4	5KM-12420-10	B - 9	5KM-14197-20	B - 15	5DM-14985-00	B - 15	5KM-16626-00	C - 11	5KM-18148-00	D - 3
5KM-11400-00	B - 5	5KM-12421-00	B - 9	3DM-14216-00	C - 2	28V-14988-00	C - 2	4SH-16664-00	C - 11	2H9-18154-00	D - 5
5KM-11447-00	B - 5	5KM-12422-00	B - 9	3G2-14231-11	B - 15	5KM-15100-01	C - 5	5KM-17223-00	C - 13	1KT-18157-00	D - 5
5KM-11454-10	B - 5	5KM-12428-00	B - 9	1HX-14231-12	B - 15	5KM-15113-00	C - 7	5KM-17233-00	C - 13	5KM-18171-00	D - 3
5KM-11530-00	B - 5	11H-12438-10	B - 9	3G2-1423E-61	B - 15	5KM-15163-00	C - 5	5KM-17285-00	C - 13	5GH-18174-00	D - 5
5KM-11536-00	B - 5	5KM-12450-10	B - 9	5GH-14261-00	B - 15	5KM-15199-00	C - 5	5KM-17402-01	C - 13	5KM-18191-00	D - 5
5KM-11565-00	B - 5	5KM-12461-00	B - 10	5AP-14280-00	C - 2	5KM-15315-00	C - 7	5KM-17453-00	C - 13	5KM-18197-00	D - 5
3YF-11610-00	B - 5	5HD-12462-00	B - 10	4WV-14293-00	B - 15	5KM-15351-00	C - 7	5KM-17473-00	C - 13	4SH-18198-00	D - 5
3YF-11610-20	B - 5	5KM-12469-00	B - 10	4WV-14349-00	C - 2	5KM-15362-00	C - 5	5KM-17521-00	C - 15	5KM-18300-01	D - 5
3YF-11610-40	B - 5	5KM-12481-00	B - 10	5KM-14411-10	B - 12	2N4-15371-00	D - 15	5KM-17523-10	C - 13	5KM-18318-00	D - 3
3YF-11631-00-X0	B - 5	1AA-12535-00	B - 10	5KM-14412-10	B - 12	5KM-15379-00	C - 7	4KB-17531-00	C - 15	5KM-18319-10	E - 3
3YF-11633-01	B - 5	5KM-12576-00	B - 10	31A-14419-00	B - 12	4WV-15381-00	C - 6	5KM-17531-00	C - 15	5KM-18323-00	D - 3
3YF-11636-00	B - 5	5KM-12577-00	B - 10	5KM-14419-00	B - 12	11H-15383-02	C - 15	4KB-17531-10	C - 15	5KM-18331-00	D - 3
3YF-11638-00	B - 5	5KM-12578-00	B - 10	5KM-1442F-01	B - 12	4WV-15388-00	C - 5	5KM-17531-10	C - 15	5KM-18511-00	D - 3
5LP-11651-00	B - 5	5KM-12579-00	B - 10	31A-14435-00	B - 12	5KM-15411-10	C - 7	4KB-17531-20	C - 15	5KM-18512-00	D - 3
5KM-11681-00	B - 5	5KM-12611-00	B - 10	5GH-14436-00	B - 12	5GH-15413-00	C - 8	5KM-17531-20	C - 15	5KM-18531-00	D - 3
5KM-12111-00	B - 7	5KM-12620-00	B - 10	5BF-1443E-00	C - 8	5KM-15421-00	C - 7	4KB-17531-30	D - 2	5KM-18540-00	D - 3
3YF-12113-00	B - 7	5KM-12630-00	B - 10	1UY-14451-00	B - 12	5KM-15423-00	C - 8	5KM-17531-30	C - 15	5KM-18542-00	D - 3
3YF-12114-00	B - 7	5GH-12647-00	B - 10	5KM-14452-00	B - 12	5KM-15431-00	C - 7	4KB-17531-40	D - 2	1J7-18547-00	D - 4
3YF-12116-00	B - 7	33M-12671-00	B - 10	5KM-14453-00	B - 12	5KM-15442-00	C - 5	5KM-17531-40	C - 15	4UN-18566-00	D - 3
3YF-12117-01	B - 7	5KM-12858-00	B - 13	59V-14457-00	B - 12	5GH-15443-01	C - 9	4KB-17531-50	D - 2	5GH-18617-00	D - 5
4G0-12118-00	B - 7	3AJ-13161-01	B - 13	1UY-14458-01	B - 12	5KM-15451-00	C - 7	5KM-17531-50	C - 15	5KM-21110-10	D - 7
5H0-12119-00	B - 7	5KM-13171-00	B - 13	1UY-14468-00	B - 12	5KM-15453-00	C - 7	4KB-17531-60	D - 2	5KM-2117G-10	F - 6
3YF-12121-00	B - 7	5KM-13181-00	B - 13	583-14561-00	B - 15	5KM-15463-00	C - 5	5KM-17551-00	C - 15	5KM-21315-00	D - 7
3YF-12146-00	B - 7	5KM-1319K-00	B - 14	5DM-14561-00	B - 15	5KM-15471-00	C - 7	5KM-17582-10	C - 13	5KM-21316-00	D - 7
3YF-12151-00	B - 7	5KM-13300-00	B - 13	1FN-14565-00	B - 15	5KM-15472-10	C - 8	5KM-17583-10	C - 14	5KM-2133G-10	F - 5
2NX-12156-00	B - 7	5KM-13329-00	B - 13	5KM-14611-10	C - 3	5KM-15473-00	C - 8	5KM-17611-00	C - 11	5KM-21441-00	F - 6
2NX-12159-00	B - 7	5KM-13355-00	B - 13	3YF-14613-01	C - 4	5KM-15474-00	C - 8	5KM-1761A-10	D - 2	5KM-2147A-00	D - 8
3YF-12161-00	B - 7	5KM-13410-00	B - 13	5KM-14628-10	C - 3	5KM-15494-00	C - 8	5KM-17620-00	C - 11	5KM-2147E-00	D - 8
3YF-12162-00	B - 7	5GH-13440-00	B - 13	5KM-14711-10	C - 3	5GH-15512-00	C - 10	5KM-17623-00	C - 11	5KM-2147F-00	D - 8
3YF-12163-00	B - 7	5KM-13490-00	B - 13	5KM-14715-00	C - 3	5KM-15517-10	C - 10	5KM-17632-00	C - 11	5KM-21485-10	D - 7
3YF-12166-00	B - 7	5KM-13586-00	B - 12	5KM-14718-10	C - 3	5KM-15522-00	C - 10	4WV-17639-10	C - 11	5KM-21486-10	D - 7
5KM-12170-00	B - 8	5KM-13596-00	B - 12	5KM-14721-00	C - 3	5KM-15590-00	C - 10	5KM-17641-00	C - 11	5KM-21513-00	D - 7
5KM-12176-00	B - 8	5KM-14103-00	C - 2	5KM-14728-10	C - 3	5GH-15710-21	C - 9	4WV-17644-00	C - 12	5GH-2151E-00	G - 5
5KM-12210-00	B - 8	5EA-14105-00	B - 15	5KM-14738-00	C - 3	21V-15713-00	C - 9	5KM-17645-00	C - 11		G - 6
4DW-12213-00	B - 8	5KM-1410A-00	B - 15	5KM-14752-00	C - 3	24W-15714-00	C - 9	4WV-17653-00	C - 11	5GH-2151E-10	G - 6
3TB-12215-01	B - 2	5DM-14141-30	B - 15	3YF-14755-00	C - 3	21V-15715-01	C - 9	4WV-17654-01	C - 11	5FE-2151H-01	G - 5



NUMERICAL INDEX

PART NO.	GRID NO.	PART NO.	GRID NO.	PART NO.	GRID NO.	PART NO.	GRID NO.	PART NO.	GRID NO.	PART NO.	GRID NO.
5FE-2151H-01	G - 6	1AA-21815-00	D - 12	5KM-24311-10	E - 8	5KM-2530T-10	E - 13	1NV-2625G-01	F - 2	24W-46118-00-20	D - 14
4WU-2151H-10	G - 6	5KM-21871-00	D - 12	5KM-24327-00	E - 8	5KM-2530U-10	E - 13	1NV-2625K-00	F - 2	4WV-46119-01	E - 3
5KM-2151K-00	G - 5	1AA-21874-00	D - 12	5KM-24411-00	B - 15	5KM-2530V-10	E - 13	4KB-2628F-10	F - 2	5KM-46119-01	E - 4
	G - 6	5KM-2193A-00	D - 10	5KM-24500-00	E - 8	5KM-2530W-10	E - 13	4KB-2628G-00	F - 2	4WV-46119-11	E - 3
5KM-2151K-10	G - 6	5KM-22128-00	D - 13	4X8-24512-00	E - 8	5KM-2530X-10	E - 13	1NV-26304-00	F - 2	5KM-46119-11	E - 4
3GD-2153E-20	G - 5	5KM-22129-00	D - 13	3AJ-24523-00	E - 8	5KM-2530Y-10	E - 13	5KM-26311-10	F - 2	4WV-46119-21	E - 3
	G - 6	5KM-22149-00	D - 13	5GH-24524-00	E - 8	5KM-25311-10	E - 13	5KM-26331-10	F - 2	5KM-46119-21	E - 4
3GD-2153E-30	G - 5	5KM-22171-00	D - 13	3AJ-24534-00	E - 8	5KM-25390-20	E - 13	5EB-26332-00	F - 3	4WV-46119-31	E - 3
	G - 7	5KM-22172-00	D - 13	5KM-24610-00	E - 8	4WV-2580T-10	E - 12	5KM-26341-00	F - 6	5KM-46119-31	E - 4
5KM-21557-00	D - 12	5KM-2217M-00	D - 13	5KM-24710-00	E - 9	4WV-2580U-10	E - 12	5KM-2637F-00	F - 6	4WV-46119-41	E - 3
5KM-21558-00	G - 5	5KM-2217N-00	D - 13	5KM-24710-10	E - 9	5KM-2580V-00	E - 15	1NV-26398-00	F - 2	5KM-46119-41	E - 4
	G - 6	5KM-22210-20	E - 5	5KM-24731-00	E - 9	5KM-2581J-10	F - 5	371-27114-00	E - 9	4WV-46119-51	E - 3
5KM-21558-10	G - 6	5KM-22358-00	E - 4	5KM-24731-10	E - 9	31A-2582A-50	F - 5	5KM-27211-00	F - 4	5KM-46119-51	E - 4
5FE-21568-01	G - 5	5KM-23123-00	E - 6	5KM-2482H-00	F - 7	5KM-2582T-10	E - 12	5KM-27212-10	F - 4	5KM-46119-61	E - 4
	G - 6	5KM-23133-00	E - 6	5KM-24841-10	F - 7	5KM-2582V-00	E - 15	4SS-27218-00	F - 5	5KM-46126-00	D - 15
4WU-21568-10	G - 6	5KM-23338-00	D - 9	5KM-24842-20	F - 7	5KM-2583T-01	F - 3	2YK-27222-00	F - 5	2HR-46127-00-25	D - 14
5KM-21575-10	D - 9	5KM-23350-20	E - 6	5KM-24842-30	F - 7	5KM-2583V-00	F - 5	5KM-27252-00	F - 4	2HR-46127-00-30	D - 14
5KM-21585-00	D - 8	5KM-23391-00	D - 9	5KM-24845-00	F - 7	5GH-25844-00	F - 5	5KM-27263-00	F - 4	2HR-46127-00-35	D - 14
5KM-2160F-40	D - 11	5KM-23448-00	E - 14	5KM-24846-00	F - 7	5JX-25852-01	F - 3	5KM-27414-01	C - 3	2HR-46127-00-40	D - 14
5KM-21613-00	D - 11	5KM-23501-10	E - 10	3MX-24875-A0	G - 5	3XP-25852-50	G - 5	5GH-27414-00	F - 4	2HR-46127-00-45	D - 14
5GH-2163E-00	D - 11	5KM-23502-10	E - 11		G - 7	2VN-25854-00	F - 5	5KM-27453-01	F - 4	2HR-46127-00-50	D - 14
5KM-2163G-50	G - 5	2NL-23517-00	E - 14	3MX-24875-B0	G - 7	4L0-25854-00	F - 3	5KM-27463-01	F - 4	5KM-46136-00	D - 15
	G - 6	5KM-23526-10	D - 13	3GC-24877-A0	G - 5	2VN-25855-00	F - 5	5KM-27481-10	F - 4	5KM-46137-00	D - 15
5KM-2163G-60	G - 5		E - 6		G - 7	2GU-25866-00	F - 3	5KM-27488-10	F - 4	5KM-46141-11	E - 3
	G - 6	5KM-23540-10	E - 6	4WV-24877-A0	G - 5		F - 5	5KM-27491-00	F - 6	5KM-46143-00	E - 3
5KM-2163G-70	G - 5	5KM-23550-10	E - 6		G - 7	5GH-25867-00	F - 3	4WV-28100-00	D - 8	5KM-46144-00	D - 14
5KM-2163G-80	G - 6	5KM-23570-10	E - 6	3GC-24877-B0	G - 7	5KM-25871-00	F - 3	1NV-2811A-01	D - 8	4WV-46145-00	E - 3
5KM-21652-10	D - 11	5KM-23579-00	E - 6	4WV-24877-B0	G - 7	5KM-25872-00	F - 3	5KM-2819R-00	G - 5	5KM-46151-00	D - 14
5KM-21696-00	G - 5	5KM-23580-10	E - 6	5KM-2510F-10	E - 10	5KM-25873-10	F - 3	5KM-28309-00	D - 9	5KM-46152-00	D - 15
	G - 6	1UY-23812-00	E - 7	5KM-2510F-11	E - 10	5KM-25874-00	F - 5	5KM-28309-10	D - 9	5KM-46155-00	E - 3
5KM-21696-10	G - 6	5KM-23813-00	E - 7	5KM-2510G-10	E - 10	5KM-25875-00	F - 3	5GH-28349-00	D - 9	2HR-46156-00	D - 15
5FE-21697-01	G - 5	8K1-23814-00	E - 7	5KM-2510G-11	E - 10	5KM-25882-00	F - 5	5KM-2837L-00	D - 9	4WV-46159-00	E - 3
	G - 6	5KM-23816-00	E - 7	5KM-2510H-10	E - 10	5KM-25886-00	F - 5	5KM-2842M-00	F - 7	5KM-46160-10	E - 3
3JM-21697-10	G - 6	5KM-23831-00	E - 7	5KM-2510J-20	E - 11	5JJ-25894-00	F - 5	5KM-2842N-00	F - 7	5KM-46161-00	E - 3
5KM-21711-00	D - 12	1UY-23841-01	E - 7	5KM-2510J-30	E - 10	5LP-25895-00	F - 6	5KM-2845N-00	F - 7	5KM-46162-00	E - 3
5KM-2171A-00	D - 12	1UY-23845-01	E - 7	5KM-25111-10	E - 10	1FK-2589F-00	F - 3	5KM-28488-00	D - 8	4WV-46167-00	E - 4
5KM-2171A-10	D - 12	5KM-2385L-00	E - 5	4KB-2511H-00	E - 13	3GM-2589H-00	F - 5	5KM-42752-00	E - 3	5KM-4616A-00	E - 3
5KM-2171A-20	D - 12	5KM-2385M-00	E - 5	5KM-2512A-00	E - 10	3GD-25916-00	E - 12	5KM-45531-10	E - 10	5KM-46172-00	D - 15
5KM-2171A-30	D - 12	5KM-23868-00	E - 7		E - 13	5KM-25919-00	E - 15	5KM-45593-00	D - 2	5KM-46173-10	E - 4
5KM-2171L-00	D - 12	5KM-2386G-00	E - 5	3HN-2512G-01	E - 10	8CR-25924-00	E - 15	5KM-46101-10	D - 14	5KM-46212-00	D - 14
5KM-21721-00	D - 12	5KM-2386H-00	E - 5		E - 13	8CR-25926-00	E - 15	5KM-46102-00	D - 14	5KM-46441-00	E - 3
5KM-2173E-00	G - 5	5GT-23872-00	D - 7	4KB-2512H-00	E - 10	3GD-25933-00	E - 12	22U-46117-00-25	D - 15	5KM-46451-00	E - 4
	G - 6	1UY-23894-01	E - 7		E - 13	5KM-26111-00	F - 2	22U-46117-00-30	D - 15	5KM-46470-11	E - 3
5KM-2174A-10	D - 12	5KM-24110-00	E - 8	2HR-2512J-00	E - 10	5KM-26124-00	F - 2	22U-46117-00-40	D - 15	5KM-46559-00	D - 15
5KM-2174M-10	D - 12	5KM-2414H-00	E - 8		E - 13	1NV-26129-00	F - 2	24W-46118-00-12	D - 14	5KM-47491-00	E - 5
5KM-2174T-10	D - 12	4SH-2416E-00	G - 7	5KM-2514A-10	E - 12	5FE-26232-00	D - 9	24W-46118-00-14	D - 14	5KM-67839-00	E - 3
5KM-2175B-00	D - 9	5KM-24181-00	E - 8	5KM-25180-20	E - 10	5LP-26241-00	F - 2	24W-46118-00-16	D - 14	5KM-81410-00	F - 8
5KM-2179T-10	B - 12	5KM-24182-00	E - 8	5KM-2530F-10	E - 14	5KM-26250-00	F - 2	24W-46118-00-18	D - 14	5KM-81450-10	F - 8

NUMERICAL INDEX

PART NO.	GRID NO.	PART NO.	GRID NO.	PART NO.	GRID NO.	PART NO.	GRID NO.	PART NO.	GRID NO.	PART NO.	GRID NO.
5KM-81677-00	F - 6	5KM-83500-20	F - 10	5KM-W2161-01	D - 11	90119-05071	E - 8	90185-10060	D - 13	90240-06076	F - 6
3AJ-81801-00	F - 9	5KM-83500-30	F - 10	5KM-W2161-11	D - 11	90119-06044	F - 15		E - 5	90240-08013	F - 5
5KM-81815-00	F - 9	5LV-83755-00	F - 15	5KM-W2161-21	D - 11	90119-06056	C - 8		E - 6	90267-32004	G - 5
3AJ-81826-00	F - 9	1UY-83909-00	F - 14	5KM-W216C-01	D - 11		D - 9		E - 14		G - 6
4XV-8182A-00	F - 9	23X-83912-00	F - 14	5KM-W216C-11	D - 11		D - 11	90185-14070	D - 2	90269-05055	D - 5
11H-81844-00	F - 9	5KM-83922-00	F - 3	5KM-W216C-31	D - 11		D - 12		E - 7	90269-07076	D - 9
1FK-81847-00	F - 9	437-83936-01	G - 2	5KM-Y1754-10	C - 15	90119-06117	D - 13	90201-03313	G - 5		D - 12
5KM-81890-00	F - 9	5GH-83941-00	F - 14	5KM-Y4612-10	D - 14	90123-08046	F - 14		G - 6		E - 8
4SV-81940-00	G - 2	3L4-83943-00	F - 14	90101-10568	B - 5	90149-04278	F - 2	90201-047R9	C - 11	90280-16053	B - 5
5DM-81950-00	G - 2	5LP-83973-01	F - 14	90105-06023	B - 9	90149-05321	D - 3	90201-06008	D - 5	90282-05005	B - 5
29U-81950-93	G - 2	5KM-83976-00	F - 2	90105-06031	C - 5	90149-06011	E - 8	90201-06042	F - 6	90338-08226	B - 12
5BN-81960-00	F - 15	5LP-83980-00	F - 3		C - 7	90149-06021	D - 10	90201-06071	F - 4		F - 15
3WP-81980-00	G - 2	4KB-84314-01	F - 11	90105-07342	B - 8		F - 4	90201-06074	F - 12	90338-09130	D - 11
4SH-82100-22	F - 15	5KM-84320-00	F - 11	90105-08538	E - 12	90149-08152	C - 15		F - 13	90338-12081	D - 6
5KM-82109-00	G - 3	2GU-84332-00	F - 11	90105-09647	B - 4	90149-08296	F - 4	90201-06557	D - 10	90340-10001	E - 4
5GH-82114-00	G - 2	2GU-84334-00	F - 11	90105-09648	B - 2	90149-14001	D - 3		F - 4	90340-14029	E - 4
5KM-82115-00	F - 15	5EH-84340-00	F - 11	90105-10051	D - 7	90150-06021	E - 12	90201-06778	C - 3	90340-14046	D - 15
5KM-82116-00	F - 15	5KM-84703-00	F - 11	90105-10286	E - 6	90151-05023	C - 7	90201-07081	D - 9	90340-14117	B - 2
371-82121-00	F - 15	5KM-84710-00	F - 12	90105-10300	D - 7	90154-05004	F - 11	90201-08083	F - 5		C - 7
5KM-82128-00	F - 15		F - 13	90105-10323	D - 13	90157-04088	C - 11	90201-08087	D - 15	90340-14132	B - 13
5KM-82129-00	F - 15	1A2-84714-41	F - 12	90105-10388	E - 5	90159-05022	F - 11	90201-086J0	C - 3	90340-18101	B - 2
1AE-82151-00	G - 2		F - 13		E - 6	90167-05025	F - 7	90201-08784	F - 4	90340-20143	D - 14
5JJ-82151-10	G - 2	5KM-8472C-10	F - 12	90105-10480	E - 14	90170-06128	B - 7	90201-096J9	B - 4	90381-17067	E - 14
5JJ-82151-30	G - 2		F - 13	90105-10549	E - 6	90170-08358	D - 5	90201-10118	F - 3	90387-060A7	B - 11
5JJ-82151-50	G - 2	5GH-84751-10	F - 13	90105-10634	E - 15	90170-10186	E - 7		F - 5	90387-0613B	D - 5
5GT-82180-00	G - 2	2EK-85111-00	G - 4	90105-10649	B - 4	90170-18003	B - 6	90201-101A4	B - 4	90387-061V4	C - 3
5KM-82309-00	G - 2	3Y6-85130-02	G - 4	90105-10650	B - 4	90170-36279	C - 12	90201-101J1	D - 7	90387-06648	D - 9
3KJ-82310-10	F - 15	449-85131-02	G - 4	90105-14367	D - 3	90171-10046	E - 6	90201-10321	B - 5	90387-066J1	E - 8
3YF-82370-00	F - 15	5KM-85540-00	F - 15	90109-06038	E - 15		E - 7	90201-10430	E - 6	90387-075H4	E - 8
5KM-82507-00	G - 2	5KM-85752-00	E - 8	90109-060F3	D - 11	90173-06015	C - 3	90201-12191	D - 14	90387-090R0	E - 7
5KM-82509-00	G - 2	4US-85753-00	E - 8	90109-063E8	B - 7	90179-08148	F - 14	90201-127J6	D - 3	90387-250R3	C - 13
5KM-82510-00	G - 2	2JG-85757-00	E - 8	90109-063E9	B - 2	90179-08410	C - 3	90201-132G5	D - 5	90387-26001	C - 13
5KM-82530-00	G - 2	8CR-W0041-00	F - 3	90109-063F1	D - 8	90179-10007	E - 10	90201-14226	E - 7	90401-06001	B - 3
5KM-82540-00	F - 15	5KM-W0042-50	F - 5		D - 9		E - 13	90201-144J2	F - 4	90401-08117	B - 13
5LP-82540-00	F - 15	4WV-W0045-00	E - 12		D - 12	90179-12325	D - 14	90201-14633	D - 2	90401-10159	B - 13
5KM-82541-00	G - 2	5KM-W0046-00	E - 15		F - 4	90179-16661	C - 15		E - 3		F - 3
5GH-8254B-00	G - 2	3GD-W0047-00	E - 12		F - 6	90179-16690	C - 11	90201-170M2	C - 15		F - 5
5GM-82560-00	F - 15	5KM-W0047-00	E - 15	90109-063F5	D - 8	90179-20006	E - 10	90201-17255	C - 13	90401-14118	B - 13
5GT-82560-00	G - 2	1UY-W0048-50	E - 12		D - 9		E - 13	90201-190T7	C - 11	90401-20145	B - 13
5KM-82560-00	F - 15		E - 15		F - 4	90179-22005	C - 11	90201-20278	C - 13	90413-05014	G - 3
3HN-82569-00	G - 2	3GD-W0057-00	E - 12	90109-06723	F - 15	90179-22526	C - 15	90201-20792	D - 3	90430-06014	B - 9
3HN-82579-00	G - 2	5KM-W0057-00	E - 15	90109-06799	F - 14	90179-55660	D - 2	90201-25291	C - 10	90430-06192	B - 3
5KM-82590-00	G - 2	5KM-W2151-00	D - 9	90109-08021	E - 12	90179-60001	C - 15	90206-12075	B - 7	90430-08204	B - 13
5KM-82910-01	F - 14	5KM-W2151-10	D - 9	90110-06039	B - 8	90179-65305	D - 14	90206-14086	F - 4	90430-10003	E - 4
1YW-82911-02	F - 14	5KM-W2151-20	D - 9	90110-06093	B - 2	90183-05008	F - 11	90209-06174	B - 11	90430-10148	F - 15
2XJ-82913-00	F - 14	5KM-W215C-00	D - 9	90113-08004	E - 3	90183-05024	G - 4	90209-08249	C - 3	90430-10188	B - 13
4V4-82913-00	F - 2	5KM-W215C-10	D - 9	90114-10010	E - 10	90183-06053	C - 8	90209-22082	C - 13	90430-14043	B - 13
5KM-82917-00	F - 14	5KM-W215C-30	D - 9		E - 13		E - 6	90215-18001	B - 6		D - 4



NUMERICAL INDEX

PART NO.	GRID NO.	PART NO.	GRID NO.	PART NO.	GRID NO.	PART NO.	GRID NO.	PART NO.	GRID NO.	PART NO.	GRID NO.
90430-14194	D - 3	90467-22080	B - 12	91401-20012	F - 6	93210-19522	B - 2	93316-01701	D - 15	95307-08700	D - 5
90445-07176	G - 3	90467-26189	B - 10	91401-20020	E - 6		C - 5	93317-85569	D - 14	95307-10700	E - 7
90445-07371	E - 2	90468-15139	G - 3		E - 7	93210-21190	B - 10	93410-20038	C - 13	95317-06600	D - 9
	E - 4	90468-16191	E - 7	91A20-07010	C - 2	93210-26001	C - 13		D - 5		F - 4
	G - 2	90480-01009	C - 3	92907-04600	C - 2	93210-29196	F - 15	93410-22039	D - 15	95337-10600	E - 6
90445-084J1	E - 8	90480-01400	E - 8		F - 2	93210-32172	B - 2	93410-46079	C - 11	95606-06100	F - 3
90445-09220	F - 12	90480-13018	C - 7	92907-05100	F - 2	93210-321A8	B - 12	93440-10085	B - 2	95607-05100	F - 2
	F - 13	90480-13398	C - 8		F - 14	93210-33133	B - 9	93440-25084	C - 13	95607-06100	F - 14
90445-09635	D - 12	90480-13567	D - 12		G - 4	93210-33786	B - 10	93450-22119	E - 11	95607-10200	D - 7
90445-096F4	D - 12	90480-15235	B - 11	92907-05200	G - 4	93210-41041	D - 8	93450-24028	B - 5		E - 5
90446-06001	B - 9	90480-18290	B - 12	92907-06100	F - 14	93210-44545	B - 12	93450-24062	C - 11	95617-06100	E - 15
90446-09155	G - 3		E - 8	92907-06600	B - 2		C - 11	93503-08007	D - 3	95617-08625	B - 2
90446-16001	D - 6	90480-18418	F - 6		B - 8	93210-626A7	D - 14	93603-21180	B - 8	95702-06500	C - 9
90450-32008	C - 3	90501-05001	B - 8		B - 11	93210-71360	B - 2	93604-18100	D - 3	95707-05500	F - 10
90450-32015	B - 10	90501-06022	D - 3		C - 9	93210-78544	C - 15	93606-09002	B - 5	95707-06300	D - 10
90450-65001	B - 12	90501-10353	D - 3		F - 8	93210-82001	E - 3	93612-16254	B - 4		F - 4
90450-67001	B - 12	90501-12004	D - 4		F - 15	93210-975A9	G - 3	93700-06004	E - 14		F - 12
90460-15126	G - 3	90501-12016	D - 3	92907-08600	C - 15	93211-01467	B - 4	93900-00030	E - 10		F - 13
90460-59211	B - 12	90501-16002	D - 3		D - 15	93211-40040	E - 4		E - 13	95707-08500	D - 15
90460-75020	B - 12	90501-18002	D - 15	92990-10600	E - 7	93211-51749	D - 15	94108-12009	E - 10	95807-06012	E - 6
90460-81224	C - 8	90501-200A0	E - 4	93101-10090	B - 9	93211-594A4	C - 11	94110-12009	E - 13	95807-06016	D - 9
90460-85135	C - 8	90501-220A1	B - 5	93101-12168	C - 6	93305-00601	E - 10	94581-94070	B - 13	95807-06020	B - 11
90462-08008	B - 10	90501-65001	C - 12	93101-35001	C - 11		E - 14	94591-53126	B - 8		F - 15
90464-07001	G - 3	90506-12441	F - 4	93102-15212	D - 5	93306-00006	B - 9	94591-54034	C - 13	95807-06030	E - 8
90464-12045	G - 2	90506-16318	F - 4	93102-20108	B - 6	93306-00612	C - 13	94701-00241	B - 2	95807-08020	D - 6
90464-12089	G - 3	90508-32018	D - 3	93102-24034	E - 3	93306-00709	E - 4	95027-06008	G - 2	95807-08040	C - 3
90464-13073	G - 3	90508-35764	D - 5	93102-25081	D - 7	93306-07801	C - 7	95027-06010	B - 9	95817-06016	C - 5
90464-14M55	G - 3	91317-05012	F - 8	93102-25099	D - 7	93306-20120	C - 6	95027-06012	B - 14		D - 6
90464-15157	G - 3	91317-06010	B - 10	93102-28476	C - 7	93306-20221	C - 13		C - 6	95817-06020	C - 3
90464-15195	G - 2		F - 3	93102-30170	C - 15	93306-20321	C - 13	95027-06014	B - 13	95817-06035	D - 5
90464-35047	G - 2	91317-06012	B - 13	93102-35004	C - 5	93306-20331	D - 7		C - 7	95817-08012	F - 4
90465-05M87	C - 7	91317-06016	F - 15	93102-35009	D - 14	93306-20332	C - 13	95027-06016	C - 5	95817-08014	E - 5
90465-08361	C - 7	91317-06018	B - 2	93102-42004	C - 13	93306-20597	D - 2		D - 7	95817-08016	D - 7
90465-10026	D - 5	91317-06020	B - 10	93102-44454	D - 2	93306-20715	C - 15	95027-06020	B - 10	95817-08020	D - 7
90465-10098	G - 3		B - 12	93102-48012	E - 3	93306-30318	C - 14		D - 5	95817-08025	C - 3
90467-06194	B - 9	91317-06025	B - 2	93102-65004	D - 15	93306-30432	B - 6	95027-06030	C - 5		F - 4
	C - 2	91317-06040	B - 2	93104-09025	F - 2	93306-30534	B - 6		C - 7		F - 5
90467-07029	E - 2		B - 4	93104-41119	C - 11	93306-30537	C - 15		D - 5	95817-08030	C - 15
	E - 4	91317-06050	B - 2	93112-31011	E - 7	93306-30574	D - 14		F - 9	95817-10025	D - 15
90467-08003	D - 12	91317-06055	B - 2	93210-08521	B - 7	93306-30702	B - 5	95027-06040	B - 13	95817-10030	D - 7
90467-08021	G - 3	91317-06115	B - 2	93210-10096	B - 13	93306-37206	C - 15		C - 5	95827-06008	F - 5
90467-10038	B - 10	91317-06130	B - 2	93210-13657	B - 2	93306-91201	E - 4		C - 7	95827-06012	D - 7
90467-11044	F - 6	91317-08018	C - 10	93210-14359	E - 3	93310-212R6	C - 10	95027-06045	B - 9		F - 5
90467-12053	E - 8	91317-08020	E - 3	93210-14369	C - 7	93310-420F2	C - 13	95027-06055	C - 5	95827-06016	C - 3
90467-14015	C - 5	91317-08040	C - 5	93210-14579	B - 13	93310-637D3	B - 5	95027-06065	B - 9		C - 7
90467-14057	F - 6	91317-10025	D - 8	93210-15620	F - 5	93315-21813	C - 11	95027-08012	D - 15	95827-06020	C - 8
90467-15012	D - 6	91380-06010	C - 3	93210-16290	B - 5	93316-00702	E - 4	95307-05600	G - 4	95827-06025	C - 7
90467-16195	C - 8	91401-16012	F - 5	93210-19123	D - 14	93316-01003	C - 5	95307-05700	F - 2		F - 3

NUMERICAL INDEX

PART NO.	GRID NO.	PART NO.	GRID NO.	PART NO.	GRID NO.	PART NO.	GRID NO.	PART NO.	GRID NO.	PART NO.	GRID NO.
95827-06025	F - 5	99530-10116	B - 2								
95827-06030	C - 5		C - 5								
	C - 7		C - 7								
95827-06040	C - 6	99530-14016	B - 4								
95827-06050	C - 5										
95827-08012	F - 7										
95827-08014	F - 7										
95827-08020	D - 8										
95827-08030	E - 7										
97007-06020	F - 15										
97017-06010	B - 11										
97017-06014	C - 9										
97027-06016	B - 8										
97027-08025	D - 15										
97027-08030	C - 15										
97027-08035	D - 14										
97027-08060	E - 7										
97607-04114	C - 2										
97707-50016	F - 7										
97707-60016	F - 15										
97707-60025	B - 12										
	F - 15										
98507-03014	E - 8										
98507-03540	F - 11										
98507-04008	B - 15										
98507-04010	C - 2										
98507-04014	C - 2										
98507-04016	F - 2										
98507-05008	B - 15										
98507-05020	F - 2										
98507-05030	F - 14										
98507-06010	C - 3										
98507-06020	F - 14										
98507-06030	F - 8										
98517-05012	F - 14										
98706-04012	F - 3										
98707-04018	E - 8										
99001-10600	F - 4										
99009-10400	B - 9										
99009-11400	B - 13										
99009-12400	D - 3										
99009-19400	D - 15										
99009-30400	E - 6										
99009-35400	B - 5										
99009-55500	E - 10										
	E - 14										
99009-80500	C - 5										
99530-08012	D - 5										